



US00D874317S

(12) **United States Design Patent** (10) **Patent No.:** **US D874,317 S**  
**Zhou** (45) **Date of Patent:** **\*\* Feb. 4, 2020**

(54) **RING**

(71) Applicant: **Michellia Inc**, Bellevue, WA (US)

(72) Inventor: **Yitong Zhou**, Bellevue, WA (US)

(73) Assignee: **Michellia Inc**, Bellevue, WA (US)

(\*\*) Term: **15 Years**

(21) Appl. No.: **29/654,943**

(22) Filed: **Jun. 28, 2018**

(51) **LOC (12) Cl.** ..... **11-01**

(52) **U.S. Cl.**

USPC ..... **D11/34**

(58) **Field of Classification Search**

USPC ..... D11/1-5, 16, 26-39, 49, 91, 92

CPC ..... A44C 9/00; A44C 9/0007; A44C 9/0015;

A44C 9/0023; A44C 9/003; A44C

9/0038; A44C 9/0046; A44C 9/0053;

A44C 9/0061; A44C 9/0069; A44C

9/0076; A44C 9/0084; A44C 9/0092;

A44C 9/02; A44C 17/02; A44C 17/0208;

A44C 17/0216; A44C 17/0225; A44C

17/0233; A44C 17/0241; A44C 17/025;

A44C 17/0258; A44C 17/0266; A44C

17/0275; A44C 17/0283; A44C 17/0291

See application file for complete search history.

(56) **References Cited**

**U.S. PATENT DOCUMENTS**

D30,647 S \* 5/1899 Pfeil ..... D11/26

D84,286 S \* 6/1931 Gross ..... D11/34

4,080,803 A \* 3/1978 Suzuki ..... A44C 9/0023

63/15.4

D327,660 S \* 7/1992 Waugh ..... D11/26

D614,071 S \* 4/2010 Vagal ..... D11/35

D615,900 S \* 5/2010 Chawla ..... D11/34

**OTHER PUBLICATIONS**

[online] "Ingrid" <https://michellia.com/collections/all-engagement-rings/products/ingrid-heirloom-tiara-ring-in-australian-boulder-opal>. Retrieved Oct. 13, 2019.\*

[online] ".19 ct tw Dimaond Crown Ring in 14kt white gold" <https://www.ross-simons.com/.19-ct.-t.w.-diamond-crown-ring-in-14kt-white-gold-902080.html#q=crown%2Bring&lang=default&start=1>. Retrieved Oct. 13, 2019.\*

Michellia Etsy Store Website Screenshots, via Archive.org, dated May 8, 2016 <<https://web.archive.org/web/20160508161853/https://www.etsy.com/shop/michelliadesigns>>.

Michellia Etsy Store Website Screenshots, via Archive.org, dated Jun. 4, 2017 <<https://web.archive.org/web/20170604013955/https://www.etsy.com/shop/MichelliaDesigns>>.

\* cited by examiner

*Primary Examiner* — Melanie Pellegrini

(74) *Attorney, Agent, or Firm* — DWC Law Firm, P.S.; David Chen

(57) **CLAIM**

The ornamental design for a ring, as shown and described.

**DESCRIPTION**

FIG. 1 is a top perspective view of a ring showing the claimed design.

FIG. 2 is a back side view thereof.

FIG. 3 is a front side view thereof.

FIG. 4 is a left side view thereof.

FIG. 5 is a right side view thereof.

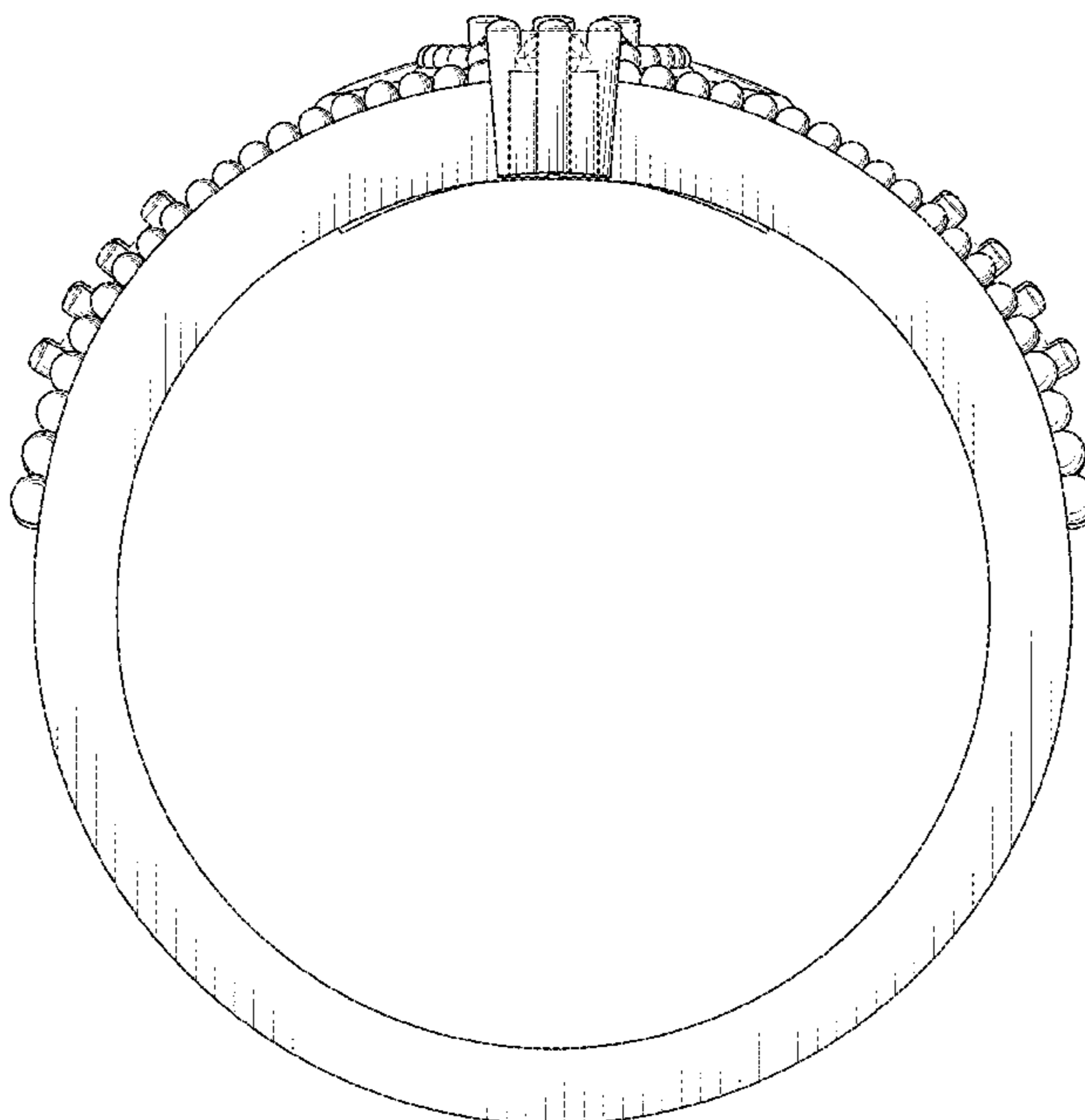
FIG. 6 is a top plan view thereof.

FIG. 7 is a bottom plan view thereof; and,

FIG. 8 is a bottom perspective view thereof.

The broken lines shown in the drawings illustrate portions of the ring which form no part of the claimed design.

**1 Claim, 8 Drawing Sheets**



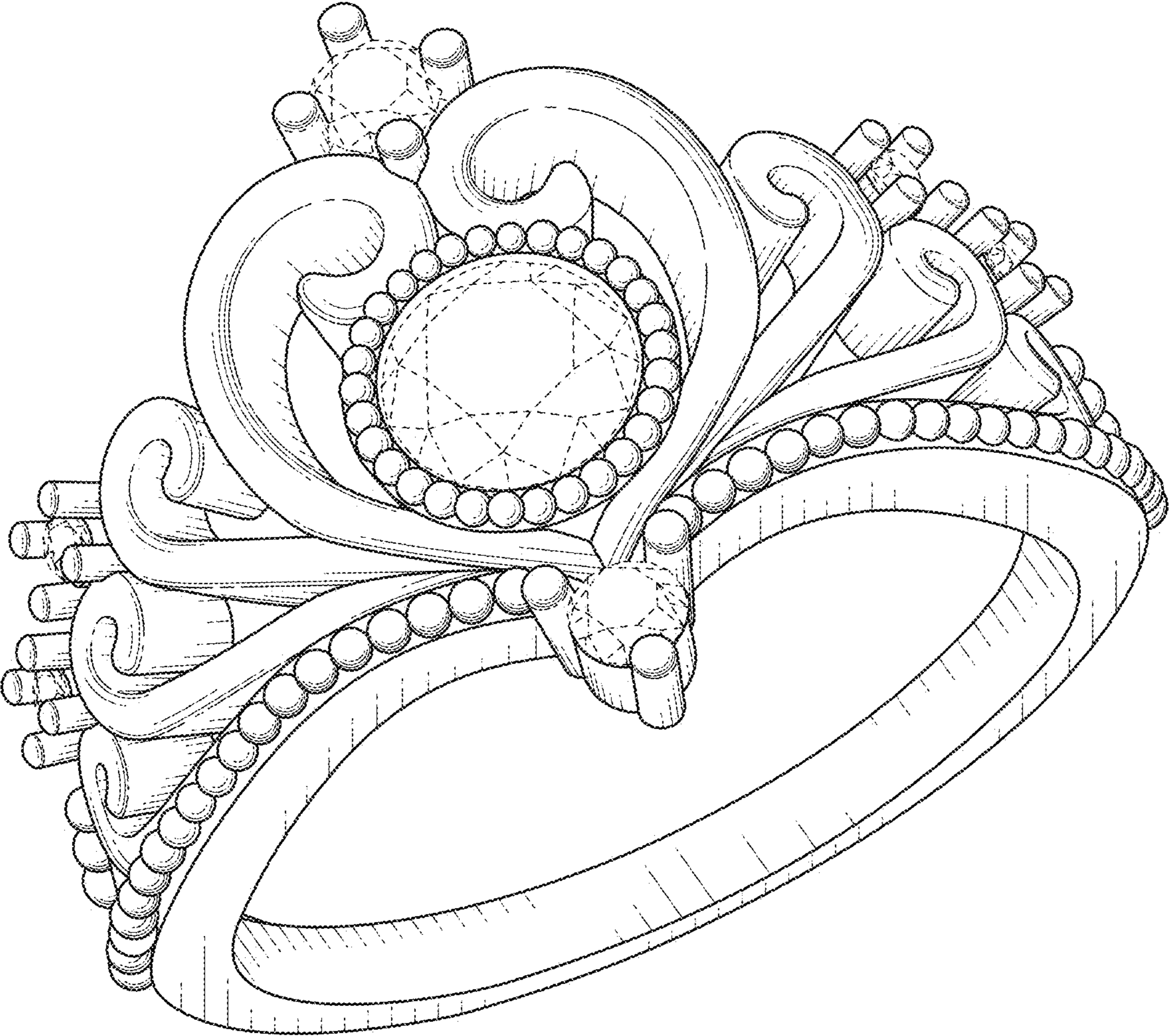


FIG. 1

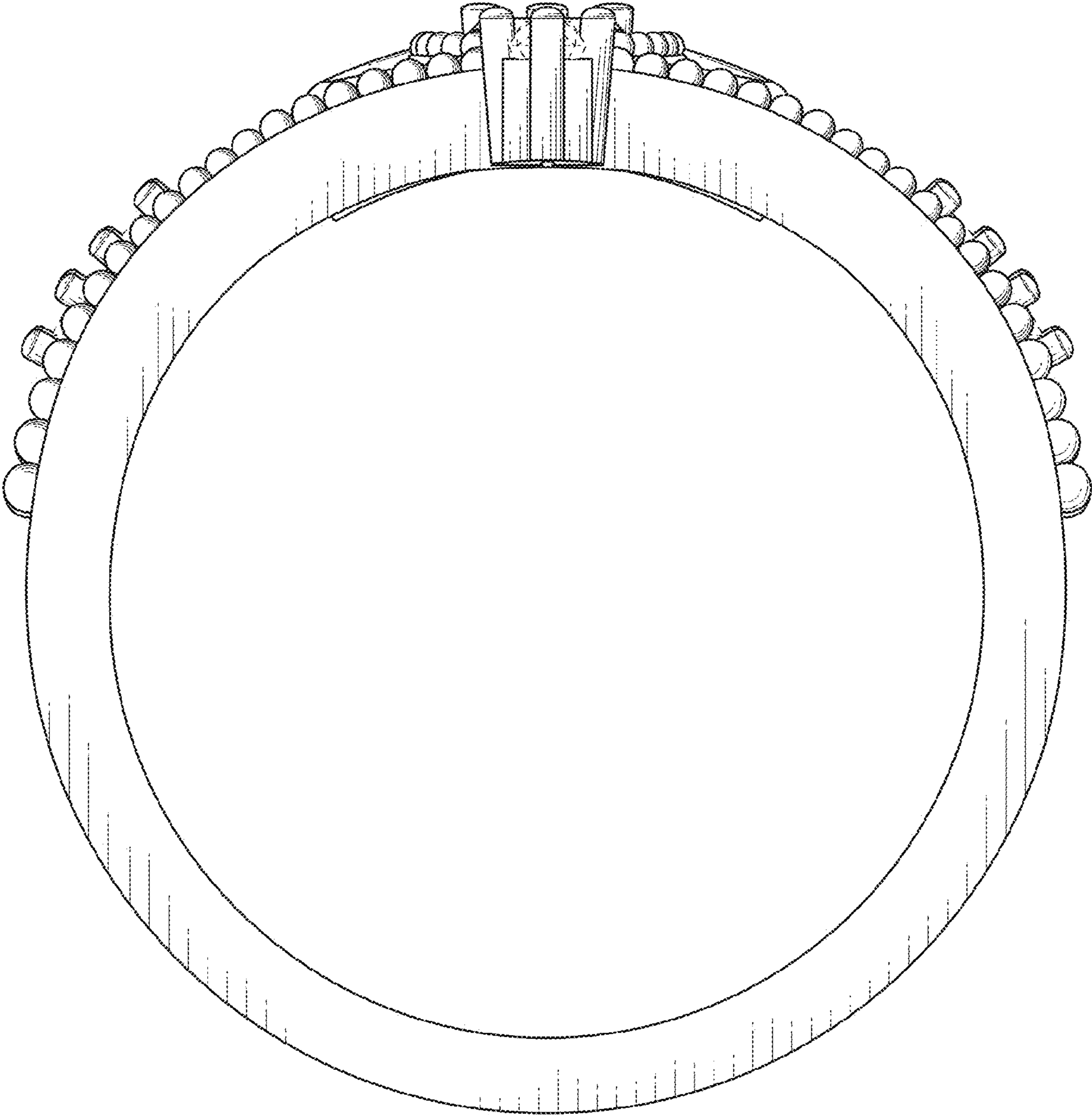


FIG. 2

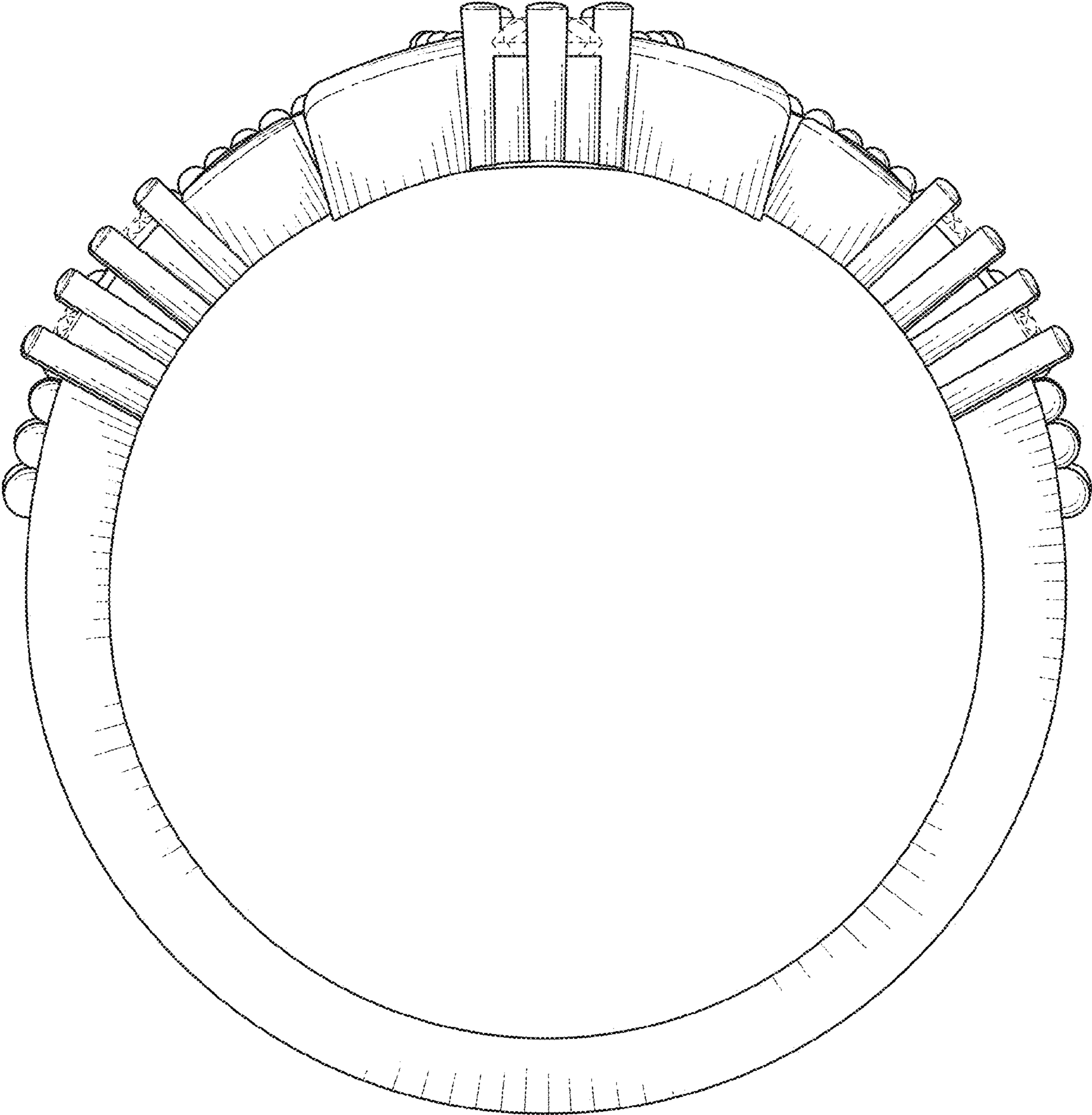


FIG. 3

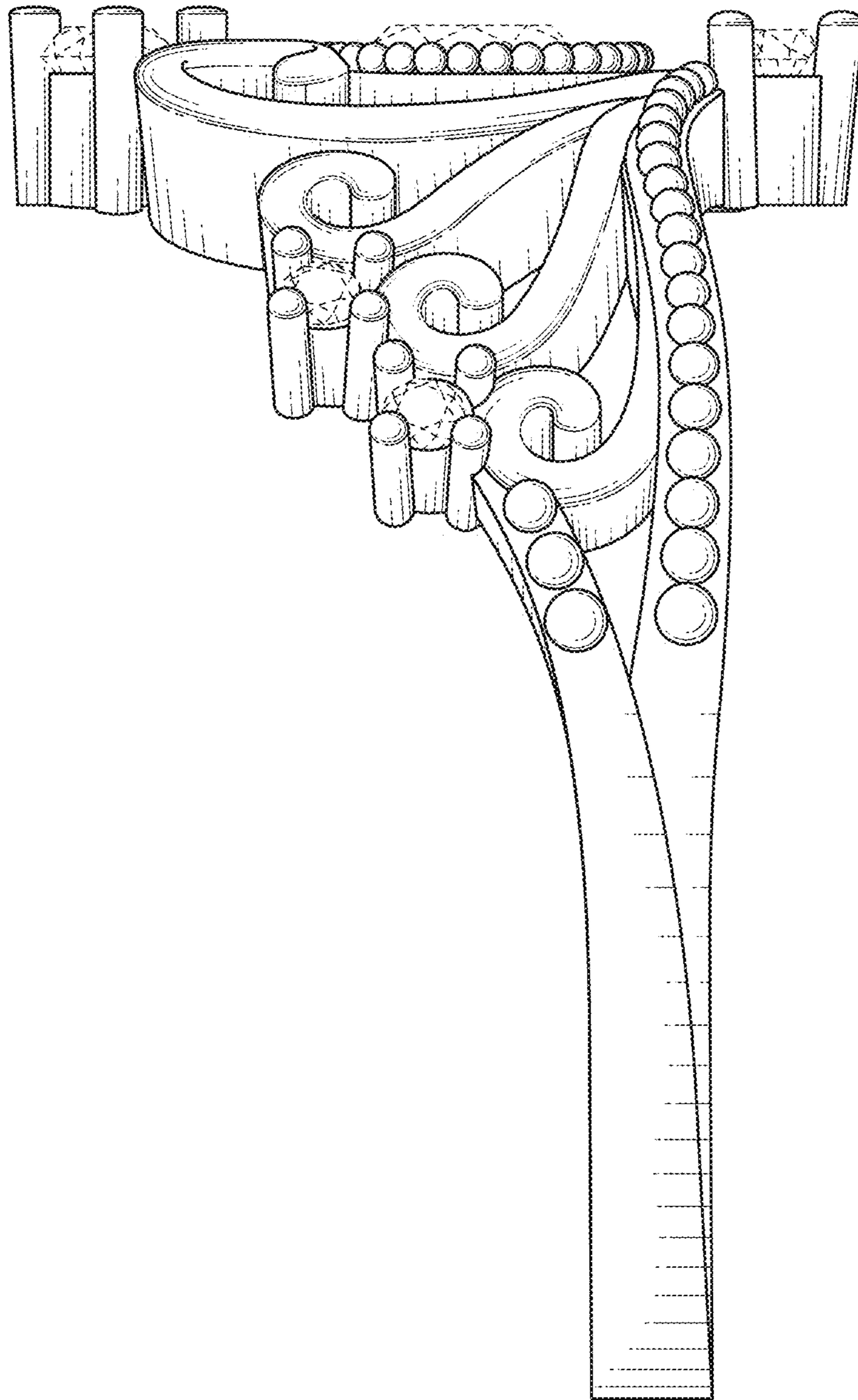


FIG. 4

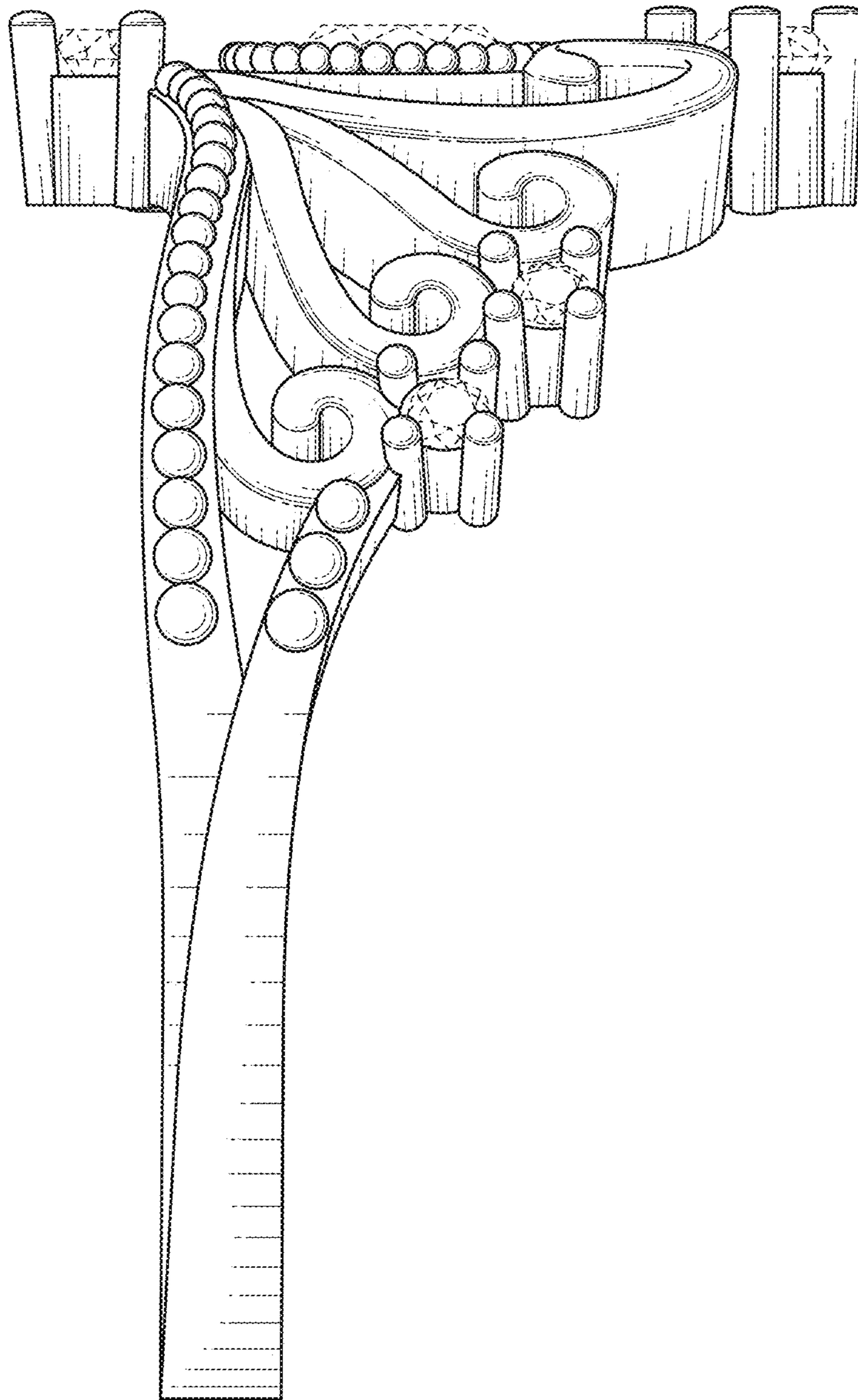


FIG. 5

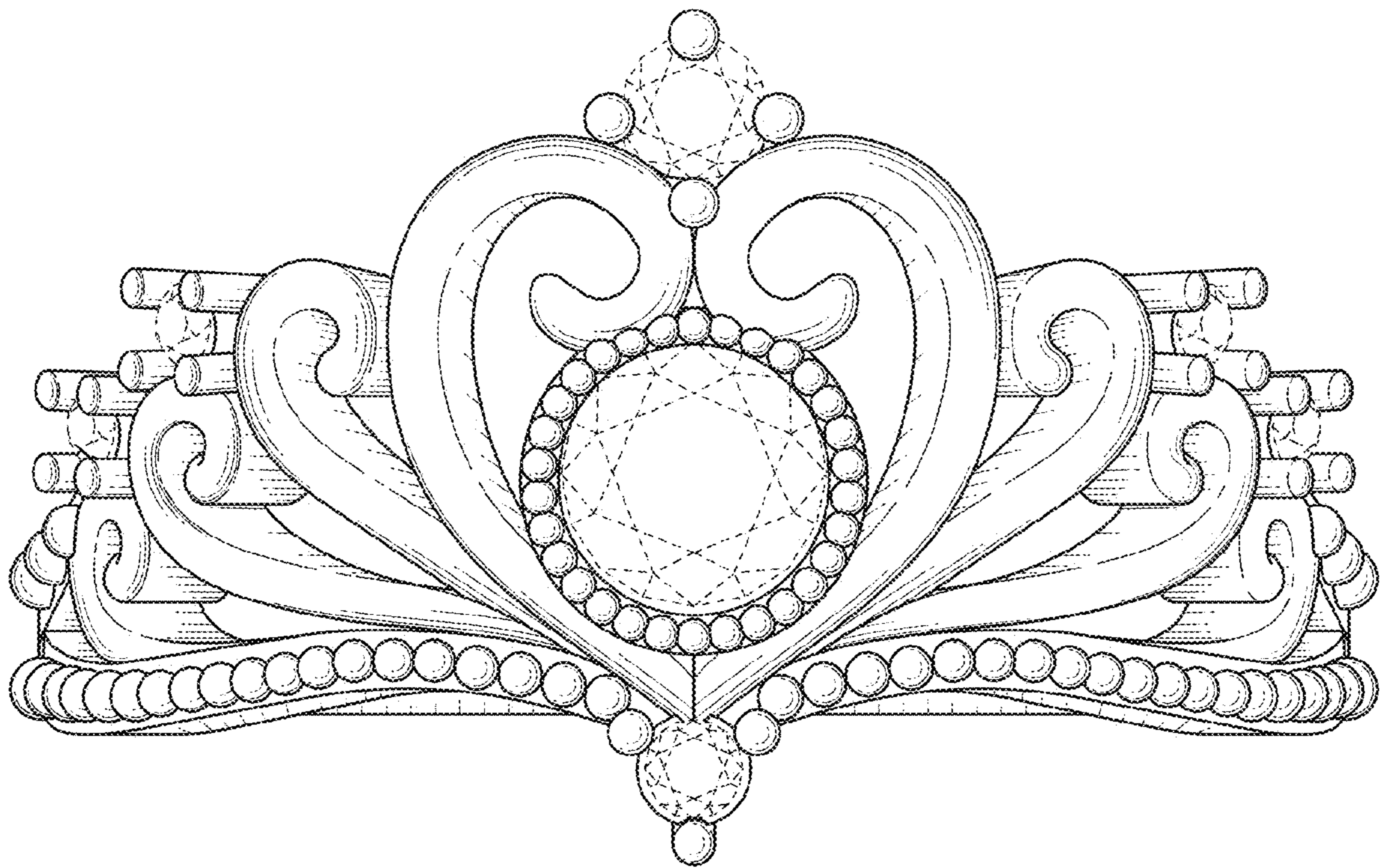


FIG. 6

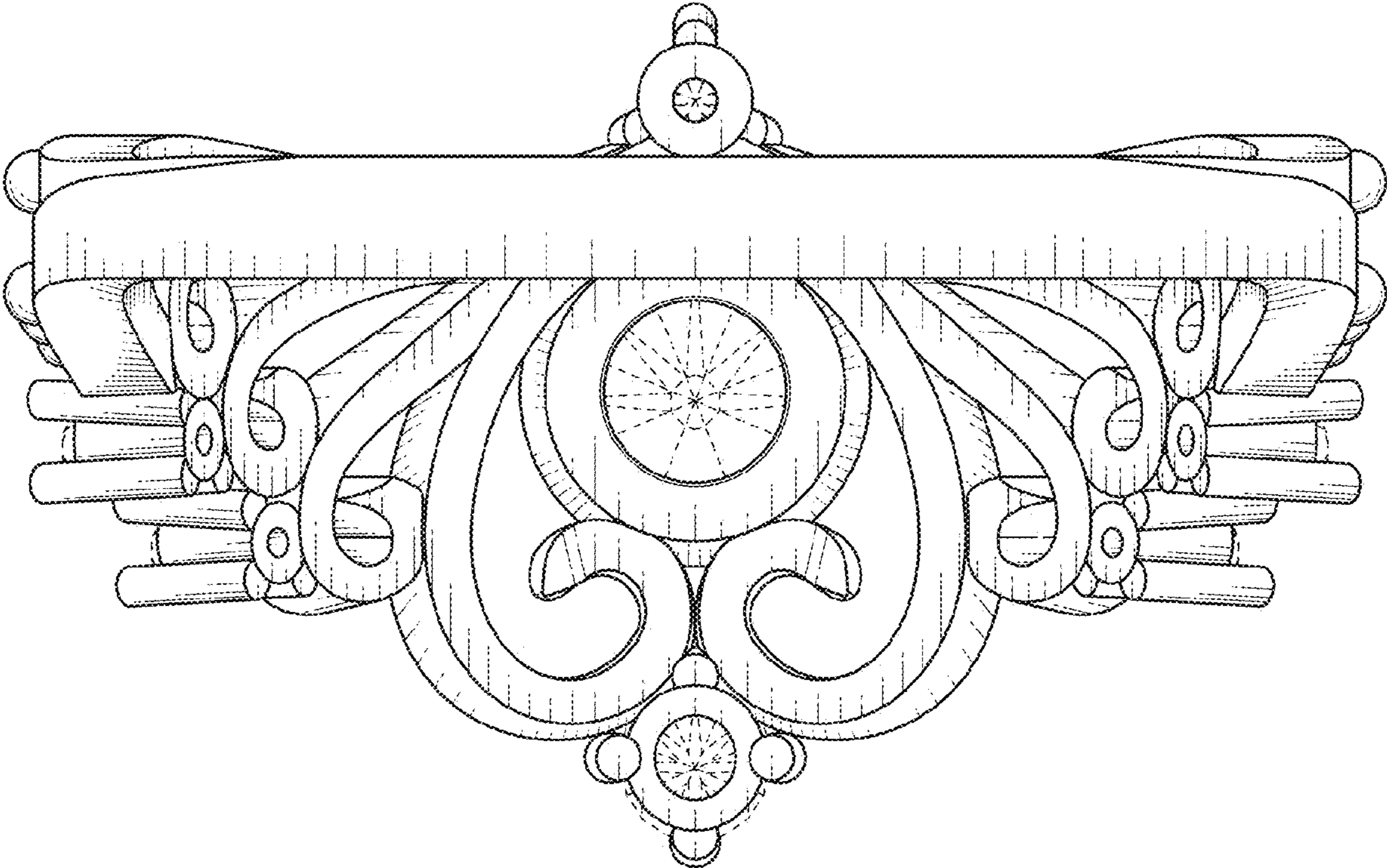


FIG. 7



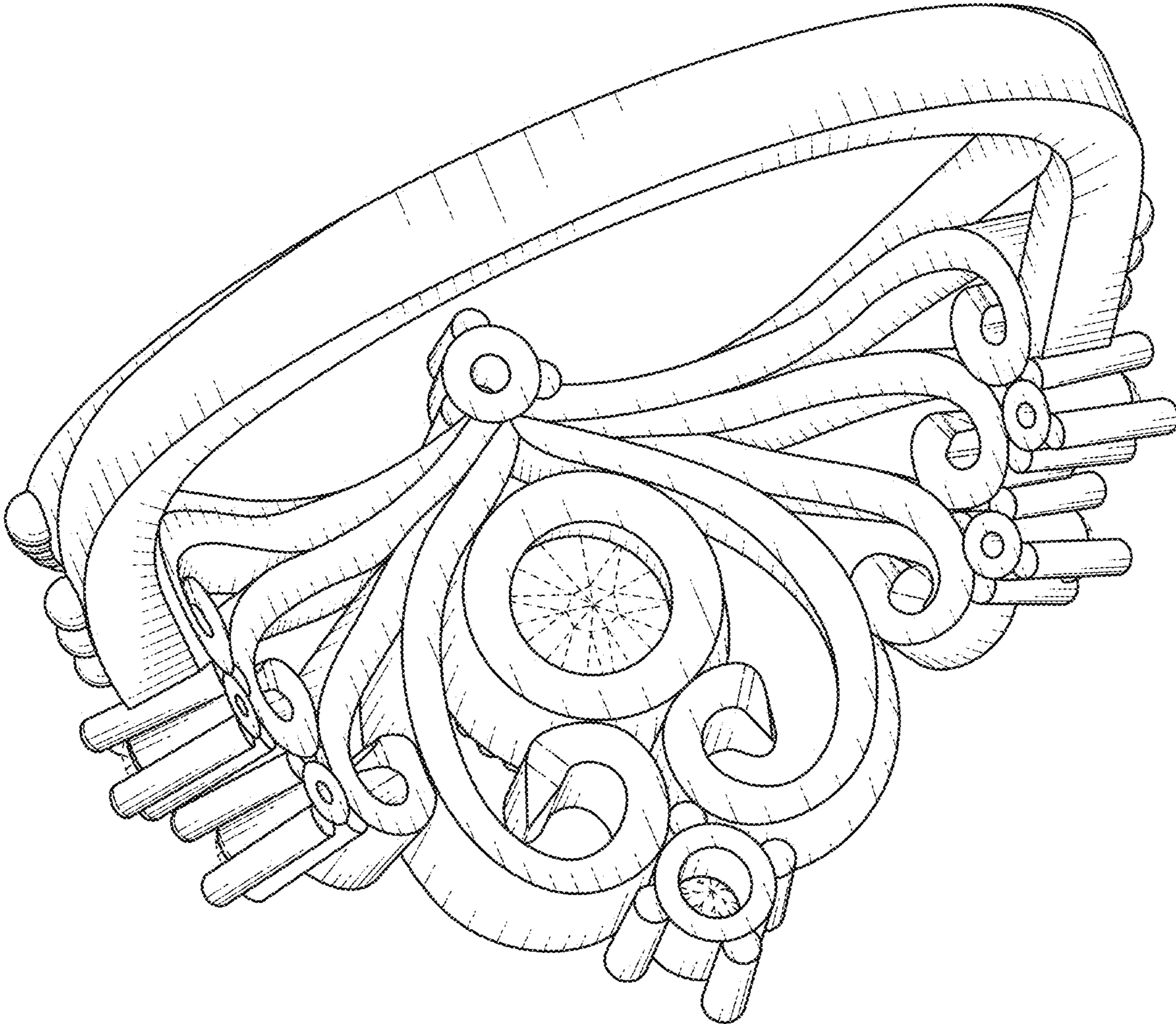


FIG. 8