



US00D874315S

(12) **United States Design Patent** (10) **Patent No.:** **US D874,315 S**
Schwaninger (45) **Date of Patent:** **** Feb. 4, 2020**

(54) **NECKLACE**

D291,894 S * 9/1987 Weisenfeld D16/339
D566,603 S * 4/2008 Bulgari D11/7
D799,364 S * 10/2017 Riviere D11/16

(71) Applicant: **Van Cleef & Arpels SA,**
Villars-sur-Glane (CH)

(72) Inventor: **Kia Schwaninger,** Brooklyn, NY (US)

(73) Assignee: **Van Cleef & Arpels SA,**
Villars-sur-Glane (CH)

(**) Term: **15 Years**

(21) Appl. No.: **29/610,156**

(22) Filed: **Jul. 10, 2017**

(30) **Foreign Application Priority Data**

Jan. 11, 2017 (WO) 1935801

(51) **LOC (12) Cl.** **11-01**

(52) **U.S. Cl.**
USPC **D11/8**

(58) **Field of Classification Search**

USPC D11/1-25, 40, 41, 43-46, 48, 69, 77, 78,
D11/79, 80, 81, 84, 86, 87, 93, 97, 98,
D11/201, 203, 208, 209, 211, 218, 219

CPC A44C 1/00; A44C 15/005; A44C 15/0055;
A44C 25/001; A44C 25/007

See application file for complete search history.

(56) **References Cited**

U.S. PATENT DOCUMENTS

D31,545 S * 9/1899 French D11/7
D146,584 S * 4/1947 Philippe D11/8
D151,938 S * 11/1948 Reinstein D11/8
D152,976 S * 3/1949 Katz D11/8
D152,979 S * 3/1949 Katz D11/8
D152,980 S * 3/1949 Katz D11/8
D158,555 S * 5/1950 Chernow D11/8

OTHER PUBLICATIONS

Liane_Necklace. (available online) Retrieved from the internet Sep. 10, 2019 from URL: <https://jewelstor.com/2017/03/10/tefaf-2017-jewelry-masterpieces-that-you-cant-get-enough-of/>.*

* cited by examiner

Primary Examiner — Kevin K Rudzinski

Assistant Examiner — Richard Kearney

(74) *Attorney, Agent, or Firm* — Taft Stettinius & Hollister LLP

(57) **CLAIM**

The ornamental design for a necklace, as shows and described.

DESCRIPTION

FIG. 1 is a front elevational view a necklace showing my new design;
FIG. 2 is a back elevational view thereof;
FIG. 3 is a top plan view thereof;
FIG. 4 is a bottom plan view thereof;
FIG. 5 is a left side elevational view thereof;
FIG. 6 is a right side elevational view thereof;
FIG. 7 is a right, front perspective view thereof;
FIG. 8 is an enlarged front elevational view of the upper jeweled element shown in FIG. 1; and,
FIG. 9 is an enlarged front elevational view of the lower jeweled elements shown in FIG. 1.

1 Claim, 9 Drawing Sheets



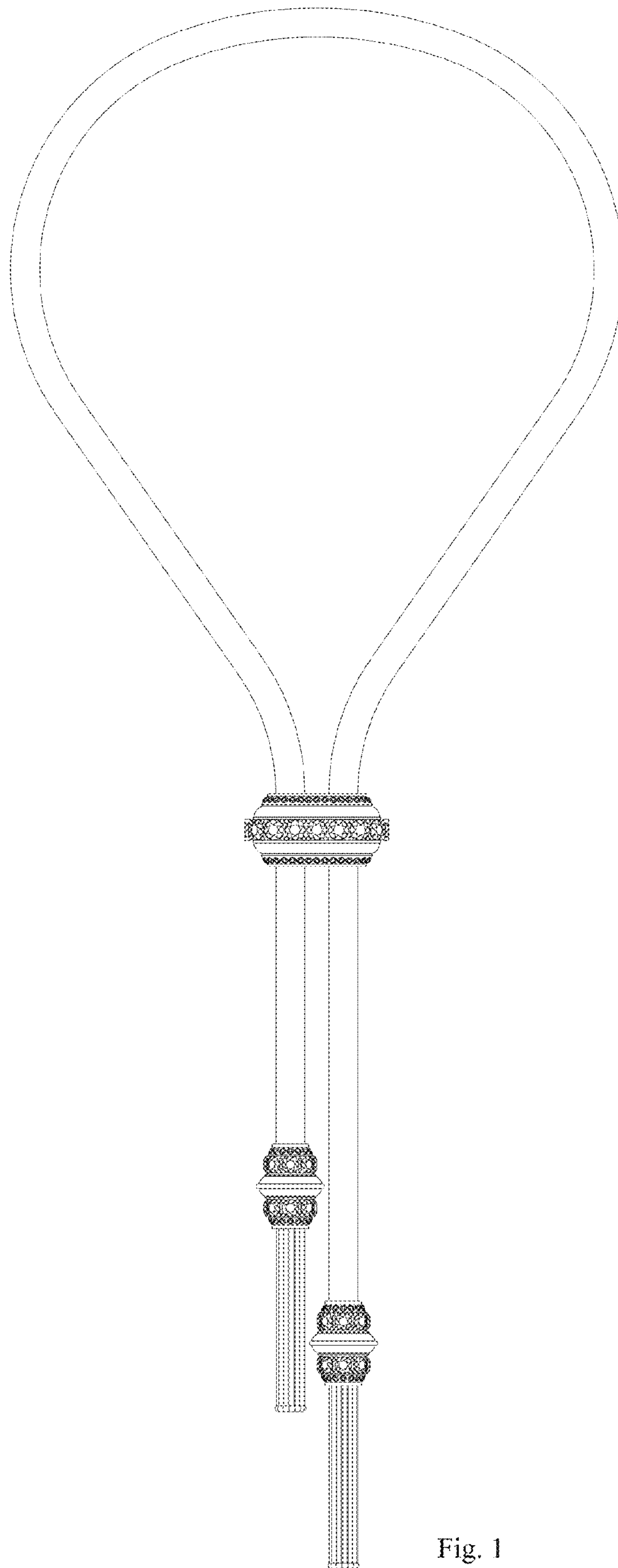


Fig. 1

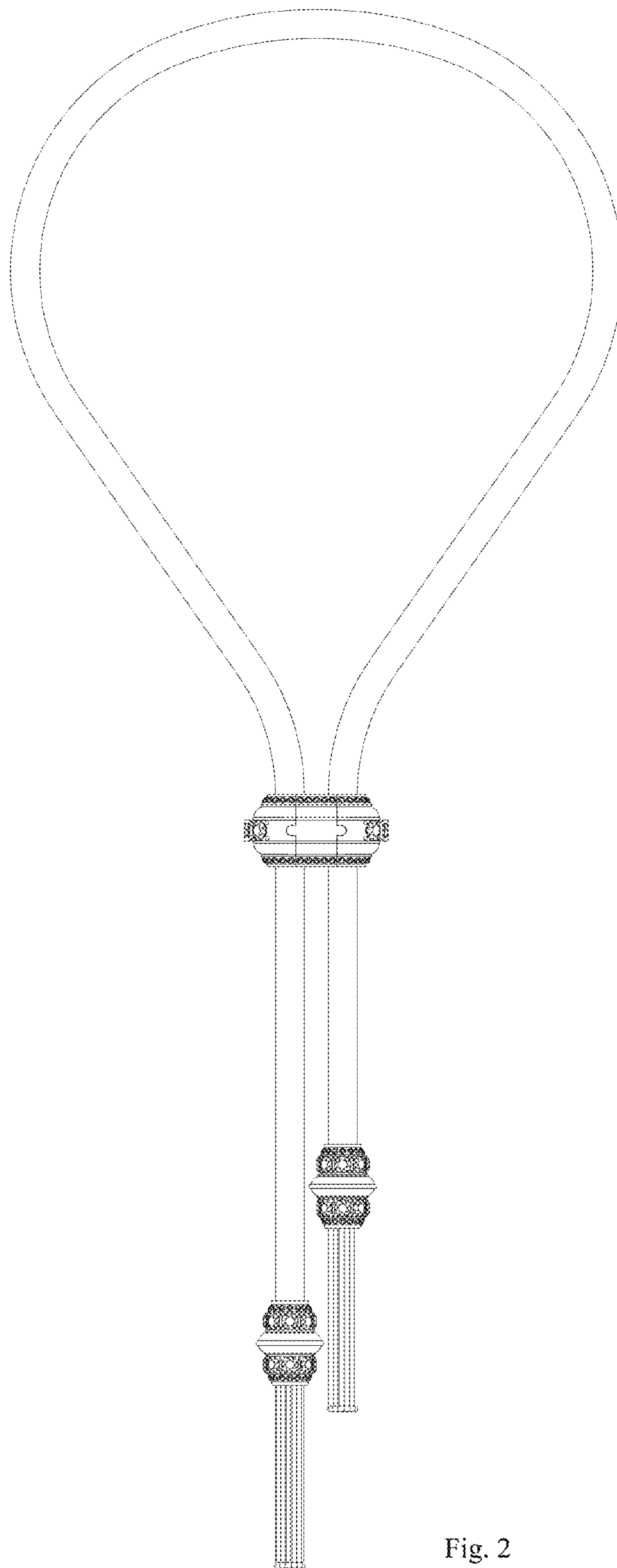


Fig. 2

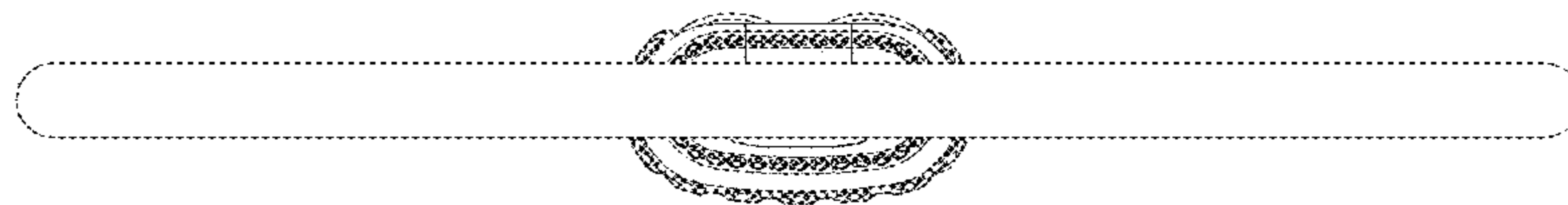


Fig. 3

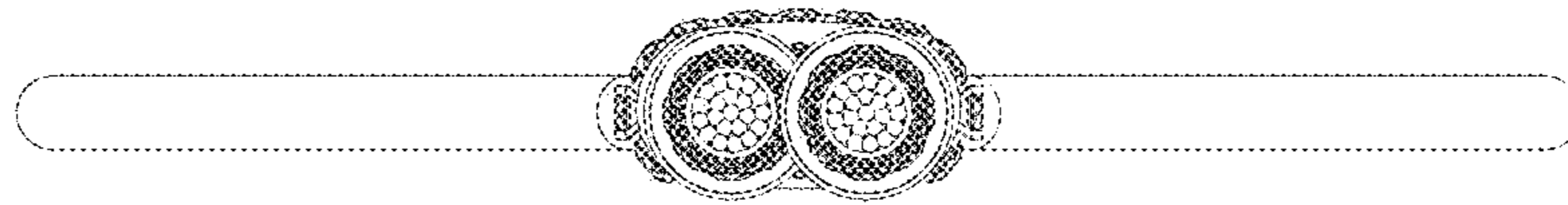


Fig. 4

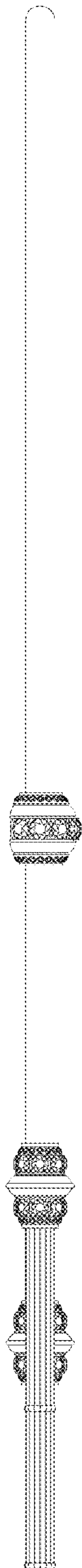


Fig. 5

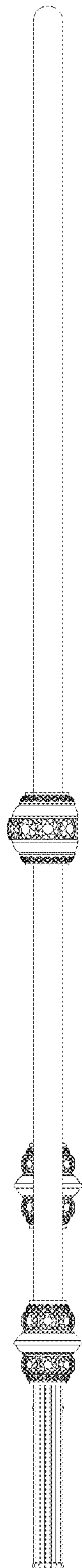


Fig. 6

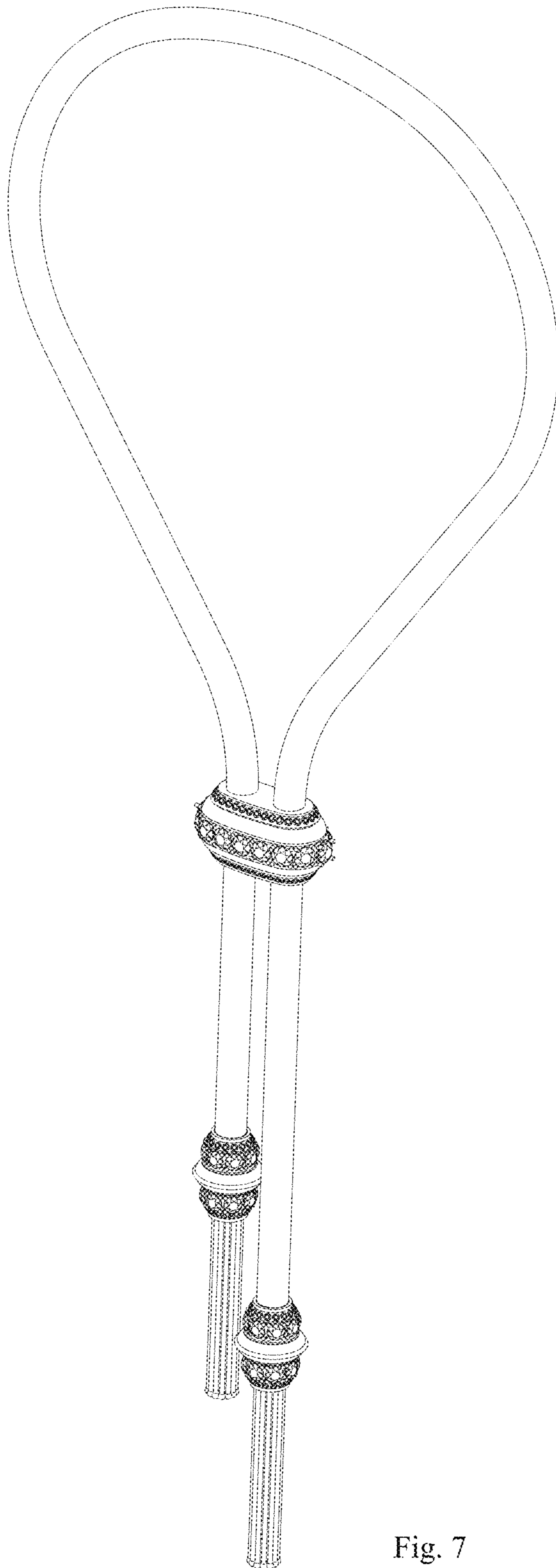


Fig. 7

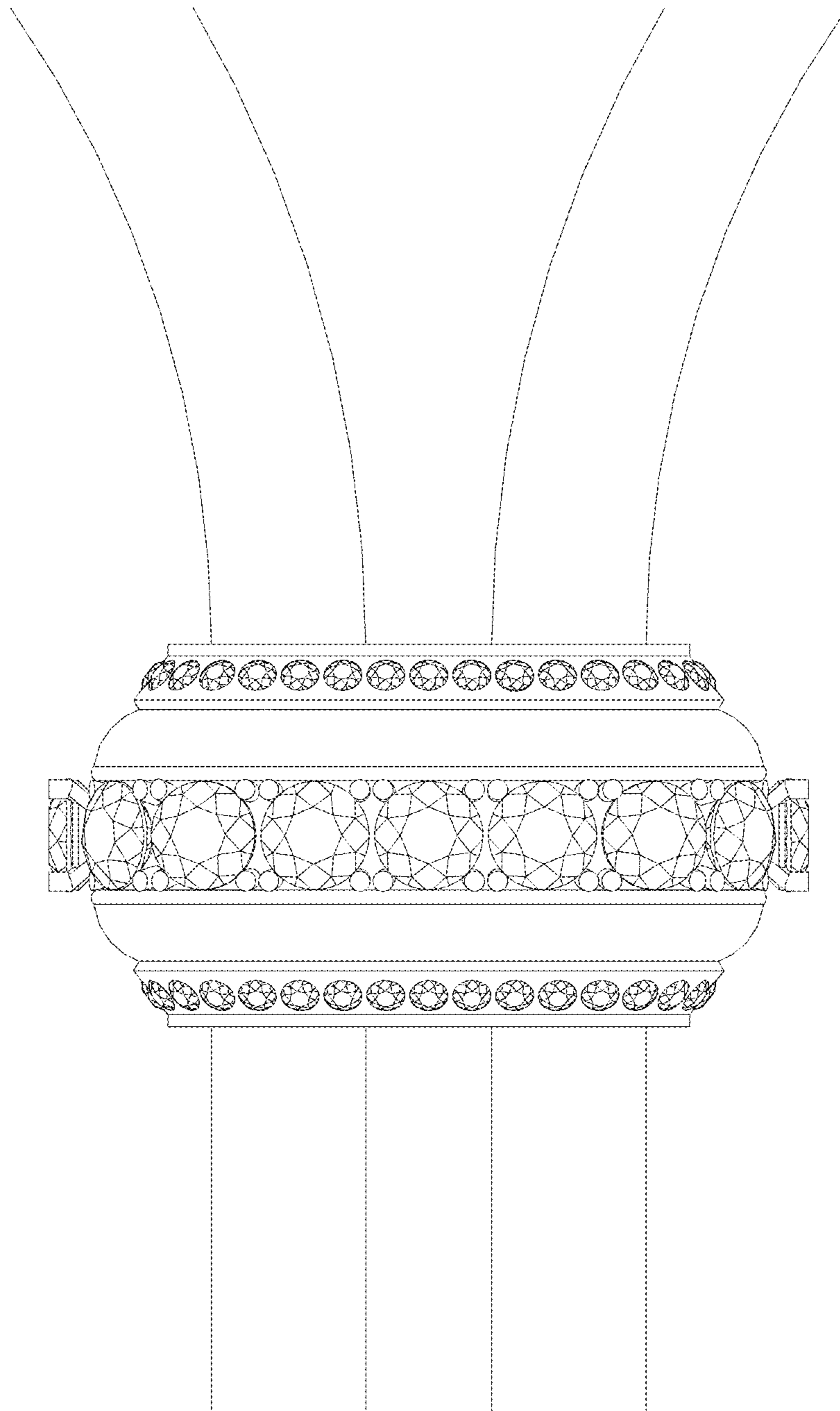


Fig. 8

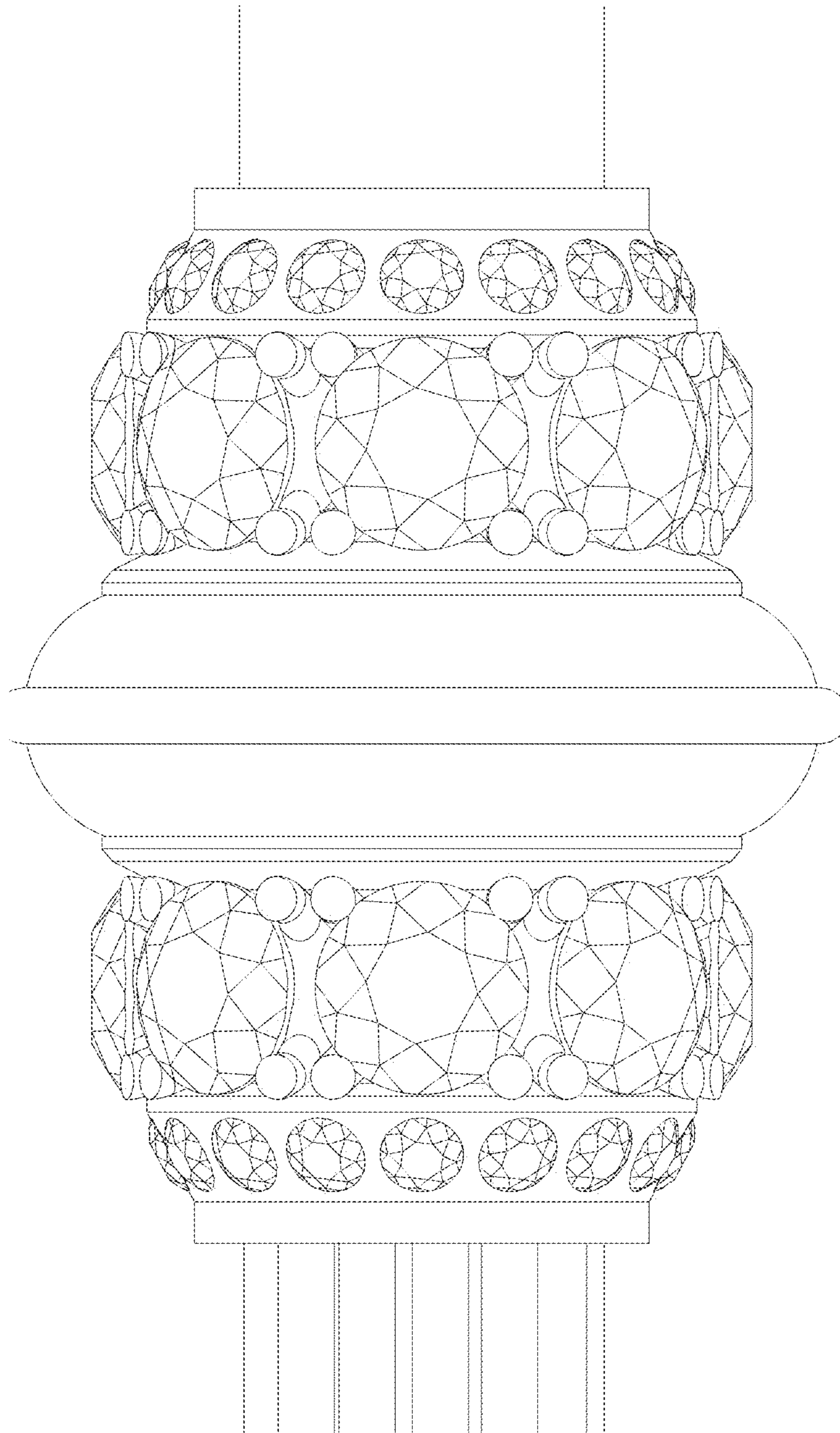


Fig. 9