



US00D874313S

(12) **United States Design Patent** (10) **Patent No.:** **US D874,313 S**  
**Unruh** (45) **Date of Patent:** **\*\* \*Feb. 4, 2020**

(54) **JEWELRY ASSEMBLY WITH REMOVABLE TILE**

(71) Applicant: **Lori Unruh**, Floyds Knobs, IN (US)

(72) Inventor: **Lori Unruh**, Floyds Knobs, IN (US)

(\* ) Notice: This patent is subject to a terminal disclaimer.

(\*\*) Term: **15 Years**

(21) Appl. No.: **29/627,090**

(22) Filed: **Nov. 22, 2017**

**Related U.S. Application Data**

(63) Continuation of application No. 15/602,559, filed on May 23, 2017.

(51) **LOC (12) Cl.** ..... **11-01**

(52) **U.S. Cl.**  
USPC ..... **D11/6**

(58) **Field of Classification Search**  
USPC ..... D11/1-29, 34, 36-43, 47, 76-79, 86;  
D14/344; D28/41

CPC ..... A44C 5/00; A44C 5/0007; A44C 5/0023;  
A44C 5/003; A44C 5/0038; A44C  
5/0046; A44C 5/0053; A44C 5/0061;  
A44C 5/0069; A44C 5/0076; A44C  
5/0084; A44C 5/0092; A44C 5/02; A44C  
5/022; A44C 5/025; A44C 5/027; A44C  
5/04; A44C 5/08; A44C 5/12; A44C 1/00;  
A44C 13/00; A44C 15/001; A44C  
15/003; A44C 15/0035; A44C 15/0045;  
A44C 15/005; A44C 15/0055; A44C  
15/006; A44C 23/00; A44C 25/001; A44C  
25/007; A44C 9/00; A44C 9/0038; A44C  
9/0046; A44C 9/0053; A44C 9/0061;  
A44C 9/0069; A44C 9/02

See application file for complete search history.

(56) **References Cited**

U.S. PATENT DOCUMENTS

365,853 A \* 7/1887 Palmer ..... A44C 11/002  
63/3  
1,681,687 A \* 8/1928 Schraysshuen ..... A44C 5/0092  
D11/6

(Continued)

OTHER PUBLICATIONS

Blessings Bracelet Private Party, published on Feb. 27, 2016, online. Site visited: Jan. 31, 2019. Internet URL: <“https://bid.beckortauctions.com/view-auctions/catalog/id/11267/lot/1509852/Blessings-Bracelet-Private-Party”> (Year: 2016).\*

(Continued)

*Primary Examiner* — L. Martinez

(74) *Attorney, Agent, or Firm* — Middleton Reutlinger

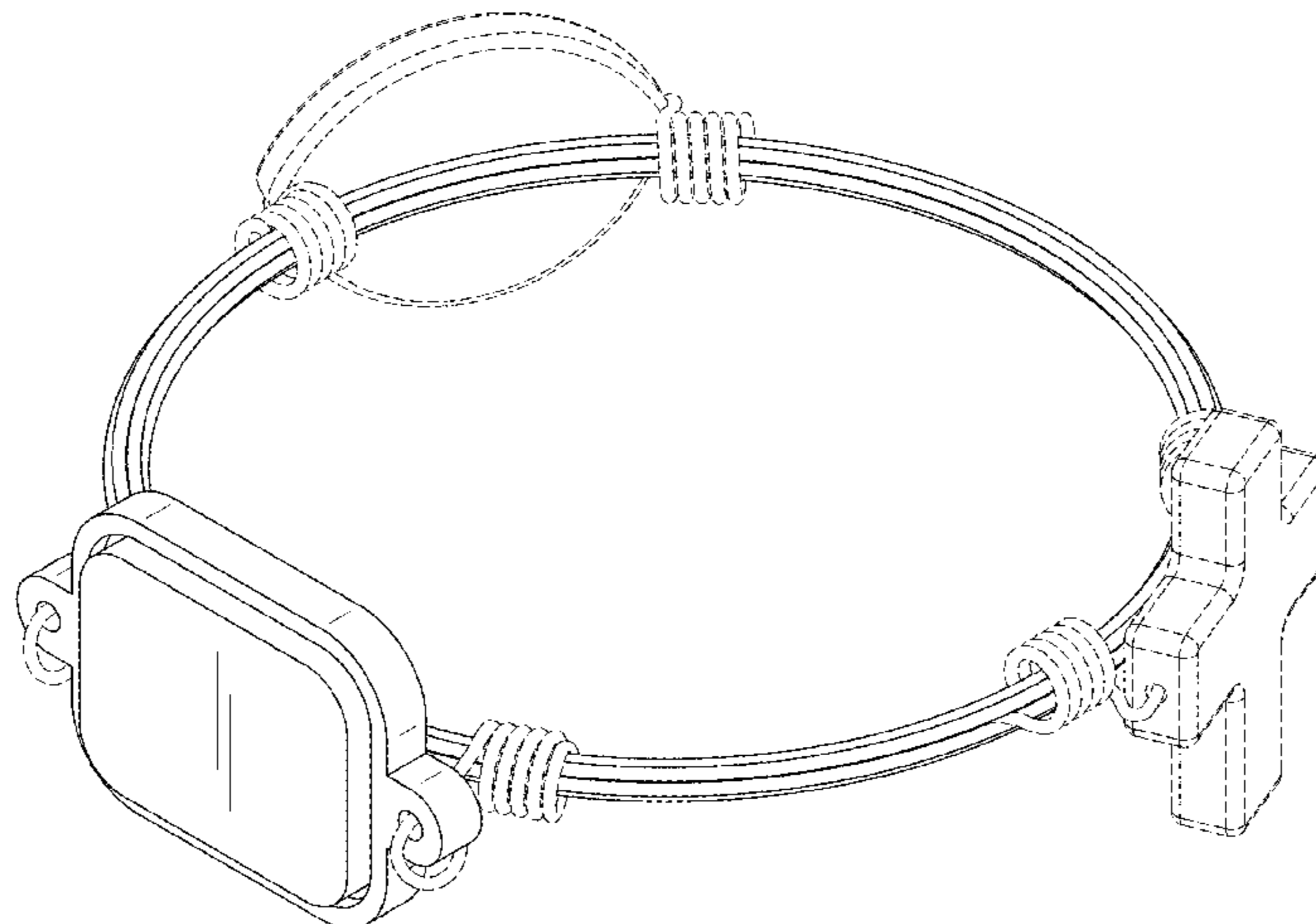
(57) **CLAIM**

The ornamental design for a jewelry assembly with a removable tile, as shown and described.

**DESCRIPTION**

FIG. 1 is a top perspective view of a first embodiment of a jewelry assembly with a removable tile;  
FIG. 2 is a first side view of the jewelry assembly with a removable tile of FIG. 1;  
FIG. 3 is a second side view of the jewelry assembly with a removable tile of FIG. 1;  
FIG. 4 is a top view of the jewelry assembly with a removable tile of FIG. 1;  
FIG. 5 is a bottom view of the jewelry assembly with a removable tile of FIG. 1;  
FIG. 6 is a third side view of the jewelry assembly with a removable tile of FIG. 1; and,  
FIG. 7 is a fourth side view of the jewelry assembly with a removable tile of FIG. 1.

(Continued)



The broken lines in the drawings represent portions of the jewelry assembly with removable tile that form no part of the claimed design.

**1 Claim, 7 Drawing Sheets**

(56)

**References Cited**

U.S. PATENT DOCUMENTS

D80,786 S \* 3/1930 Granat ..... D11/86  
 D108,250 S \* 2/1938 Sternberg ..... D11/26  
 2,378,755 A \* 6/1945 Dowling ..... A44C 5/00  
 D142,111 S \* 8/1945 Nazare ..... D11/9  
 D158,918 S \* 6/1950 Winn ..... D11/3  
 2,775,093 A \* 12/1956 Kundert ..... A44C 5/102  
 D11/17  
 3,025,820 A 3/1962 Rosenthal  
 D224,257 S \* 7/1972 Lee ..... D11/4  
 D257,021 S \* 9/1980 Barr ..... D11/34  
 4,570,308 A 2/1986 Weisgerber  
 D287,949 S \* 1/1987 Bulgari ..... D11/6  
 D334,152 S \* 3/1993 Rozenwasser ..... D11/13  
 5,675,874 A 10/1997 Chen  
 5,921,110 A 7/1999 Middendorff et al.  
 D463,308 S \* 9/2002 Skiles ..... D11/3  
 D472,840 S \* 4/2003 Visick ..... D11/3  
 D475,316 S \* 6/2003 Skiles ..... D11/3  
 D495,869 S \* 9/2004 Troitski ..... D3/208  
 D502,661 S \* 3/2005 Rapport ..... D11/3  
 D502,662 S \* 3/2005 Rapport ..... D11/3  
 D503,646 S \* 4/2005 Rapport ..... D11/3  
 7,028,507 B2 \* 4/2006 Rapport ..... A44C 5/003  
 63/3  
 7,409,837 B2 8/2008 Smith  
 7,467,444 B1 \* 12/2008 Johnson, Sr. .... A44C 23/00  
 63/1.14  
 7,941,988 B2 5/2011 Mars  
 D640,948 S \* 7/2011 Quigley ..... D11/3  
 D653,582 S \* 2/2012 Smith ..... D11/79  
 D658,087 S \* 4/2012 Rafaelian ..... D11/3  
 D658,088 S \* 4/2012 Rafaelian ..... D11/3  
 D664,466 S \* 7/2012 Rafaelian ..... D11/3  
 D670,189 S \* 11/2012 Puglisi ..... D11/3  
 D678,102 S \* 3/2013 Rafaelian ..... D11/3  
 D680,019 S \* 4/2013 Puglisi ..... D11/3  
 D681,498 S \* 5/2013 Kornerup ..... D11/16  
 D682,727 S \* 5/2013 Bulgari ..... D11/16

D682,728 S \* 5/2013 Bulgari ..... D11/34  
 D692,340 S \* 10/2013 Mejia ..... D11/3  
 8,544,705 B2 10/2013 Su  
 D712,773 S \* 9/2014 Mounce ..... D11/4  
 D722,902 S \* 2/2015 Mihalyo ..... D11/3  
 D724,985 S \* 3/2015 Blondet ..... D11/5  
 D724,986 S \* 3/2015 Blondet ..... D11/5  
 9,113,677 B2 8/2015 Anderson et al.  
 9,326,571 B2 5/2016 Nevatia et al.  
 D762,125 S \* 7/2016 Gruosi ..... D11/3  
 9,398,790 B1 \* 7/2016 Ketcher ..... A44C 15/005  
 D785,246 S \* 4/2017 Ethington ..... D28/41  
 D823,708 S \* 7/2018 Tsai ..... D11/2  
 D831,523 S \* 10/2018 Barley ..... D11/4  
 2005/0150035 A1 \* 7/2005 Marks ..... A44C 25/007  
 2/338  
 2008/0229641 A1 \* 9/2008 Slutterback ..... A44C 25/001  
 40/773  
 2011/0194276 A1 \* 8/2011 Au ..... A44C 5/0007  
 63/1.13  
 2013/0036767 A1 2/2013 Mehta  
 2014/0259303 A1 9/2014 Eliason  
 2015/0216271 A1 8/2015 Mueller  
 2016/0095396 A1 \* 4/2016 Pedersen ..... A44C 25/007  
 63/23  
 2016/0198817 A1 7/2016 Berka et al.  
 2017/0035162 A1 2/2017 Leshem  
 2018/0125182 A1 \* 5/2018 Barouch ..... A44C 5/20

OTHER PUBLICATIONS

Local designer has an eye out for fall colors, published on Aug. 19, 2016, online. Site visited on Jan. 31, 2019. Internet URL: <“https://www.courier-journal.com/story/life/shopping/stylemaker/2016/08/19/local-designers-has-eye-out-fall-colors/86948378”> (Year: 2016).  
 Cadella’s Company Website, published on May 21, 2017, online. Site visited on Feb. 1, 2019. Internet URL: <“https://web.archive.org/web/20170521224305/http://cadellas.com”> (Year: 2017).  
 Amazon; Floating Locket Lanyard Badge Holder With Interchangeable Face Plates and 6 Charms; https://www.amazon.com/Floating-Locket-Lanyard-Holder-Interchangeable/dp/B01I47N76Y; Mar. 2, 2017.  
 Kameleon Interchangeable Jewelry; https://kameleonjewelry.com/care-how-tos/product-faq. Feb. 8, 2017.  
 Utility U.S. Appl. No. 15/602,559 entitled Jewelry Assembly with Removable Tile filed May 23, 2017.  
 Design U.S. Appl. No. 29/627,089 entitled Jewelry Assembly with Removable Tile filed Nov. 22, 2017.  
 Design U.S. Appl. No. 29/627,091 entitled Jewelry Assembly with Removable Tile filed Nov. 22, 2017.

\* cited by examiner

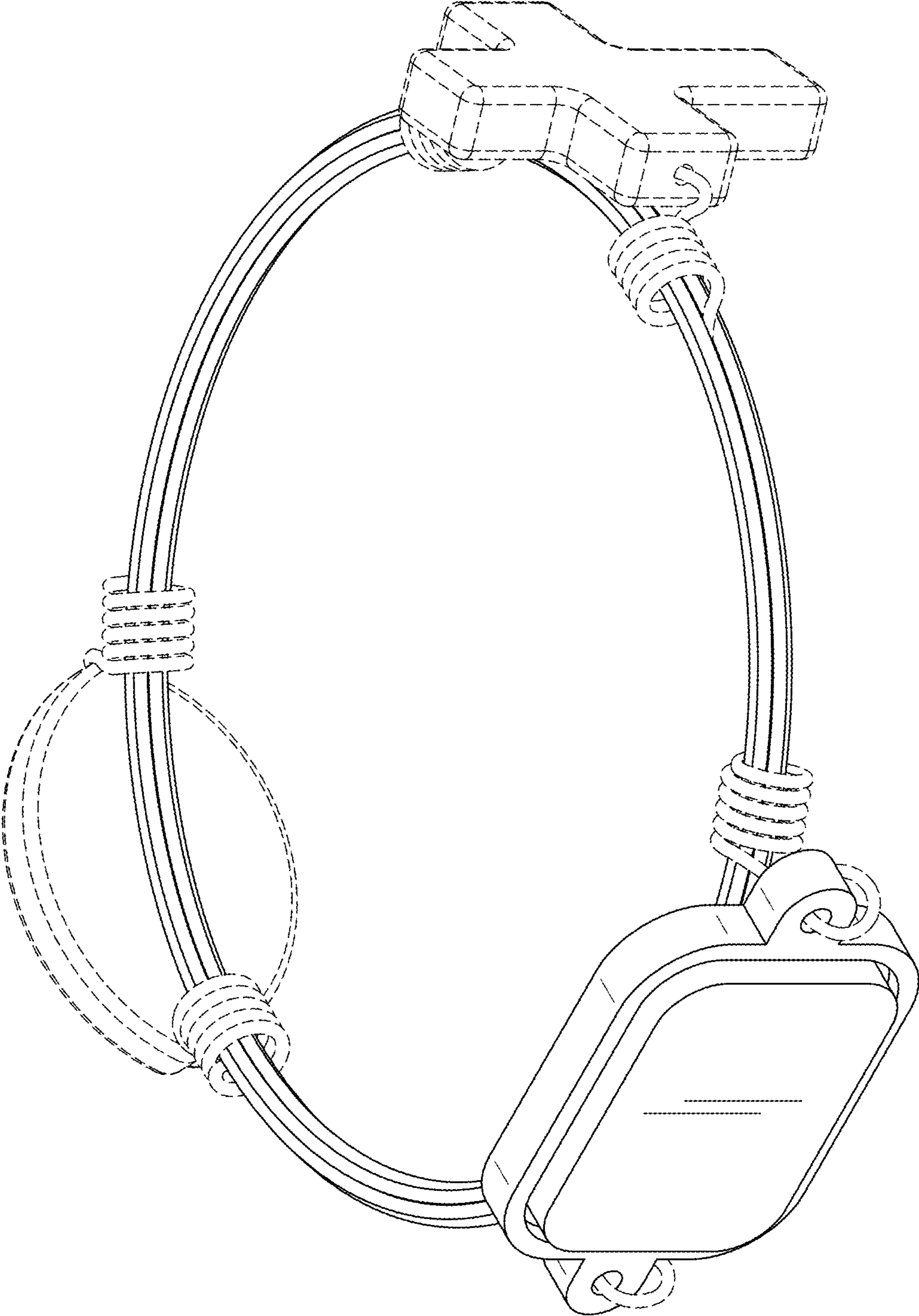


FIG. 1



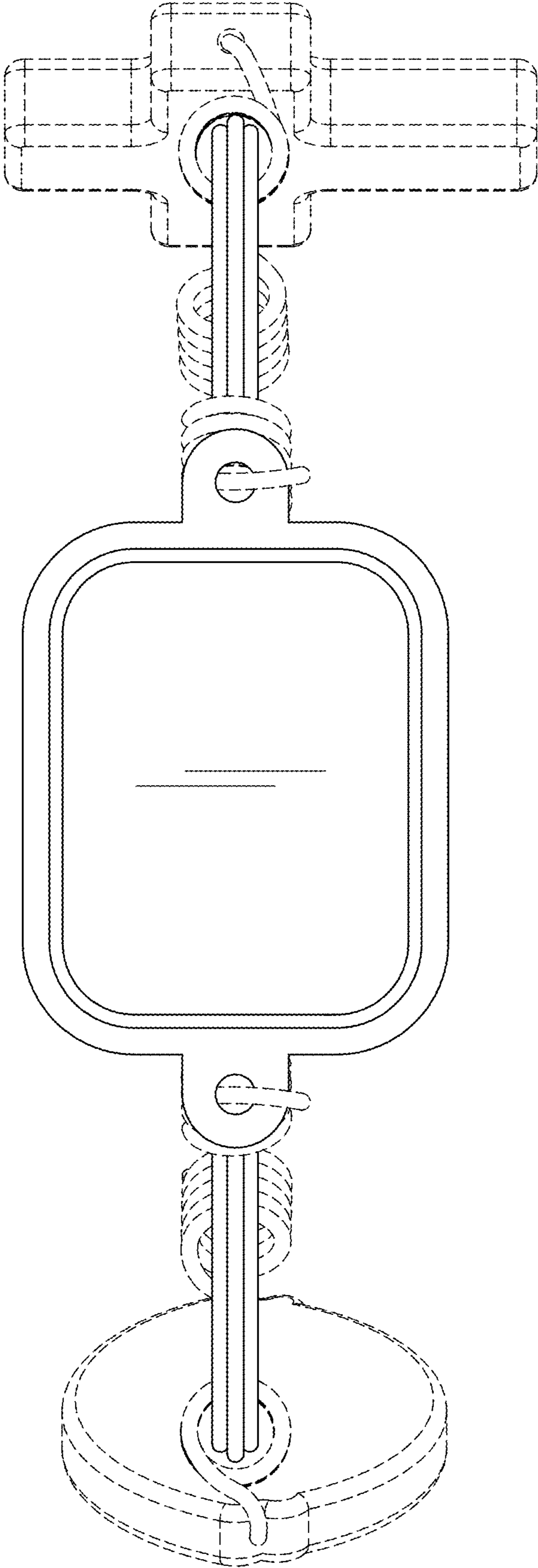


FIG. 2

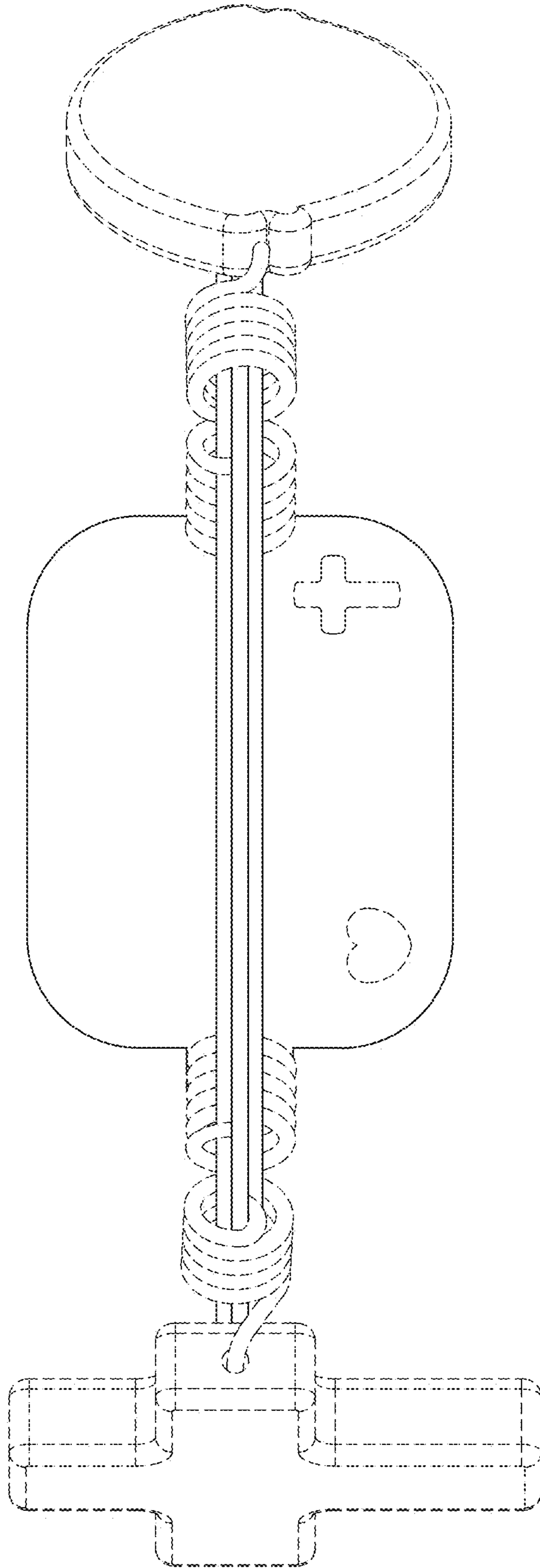


FIG. 3

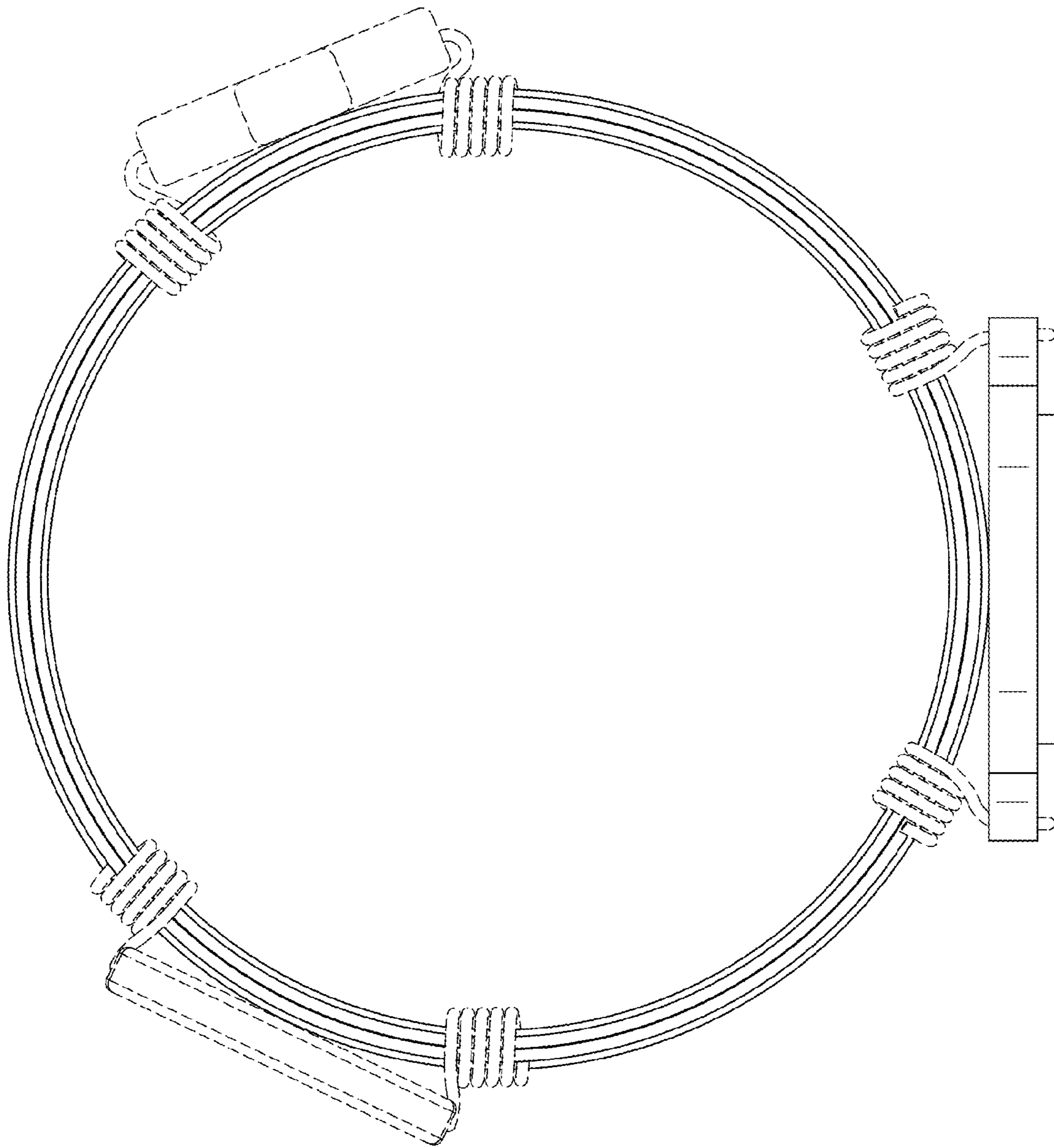


FIG. 4

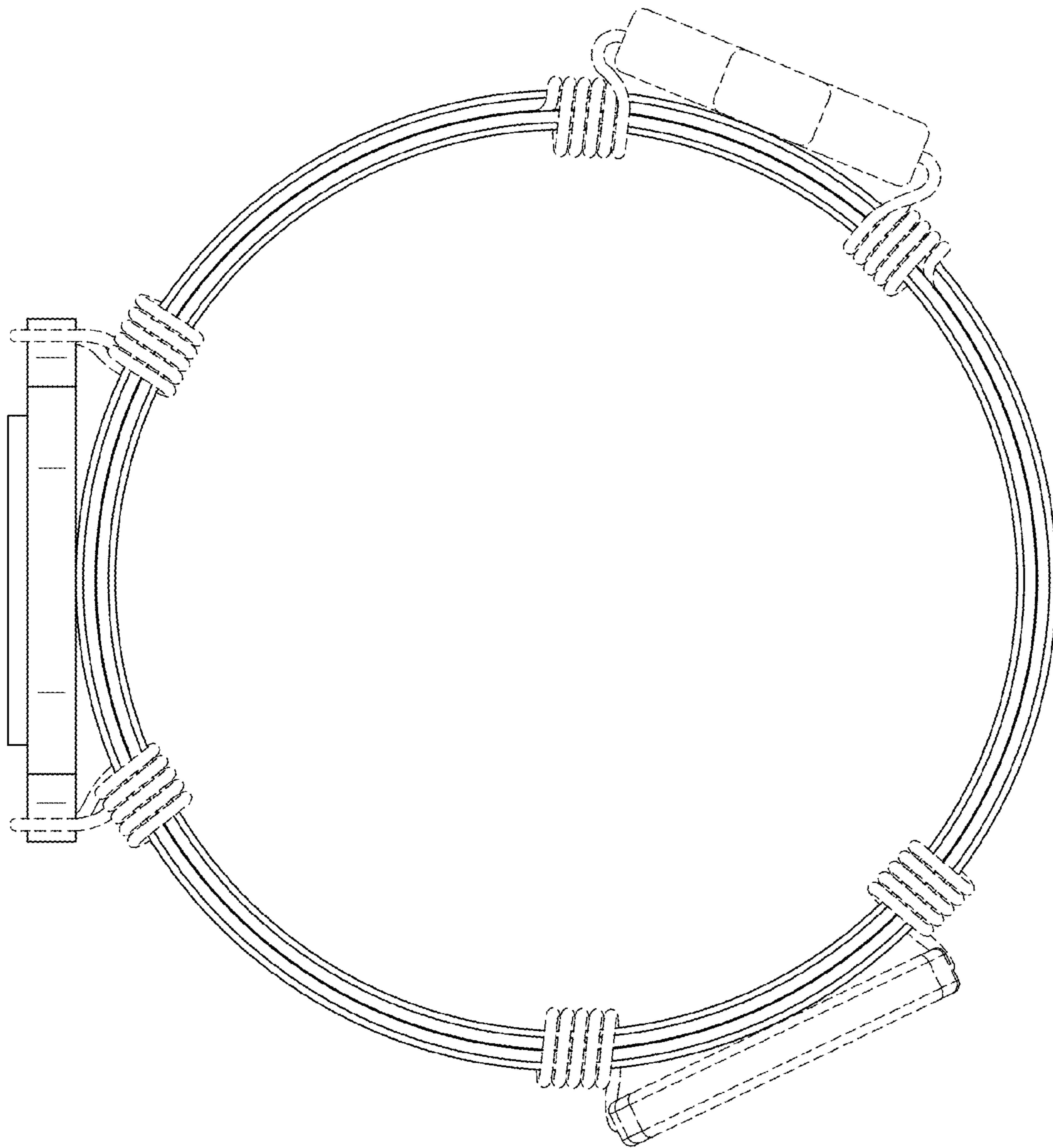


FIG. 5

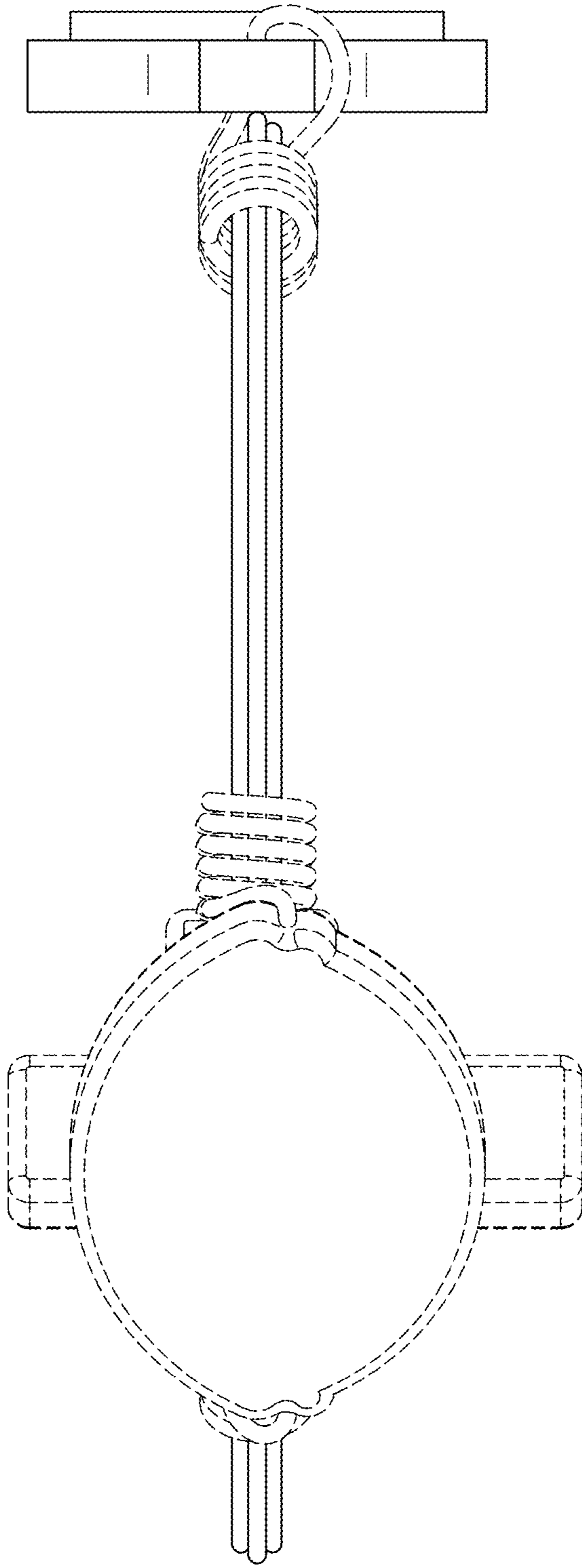


FIG. 6



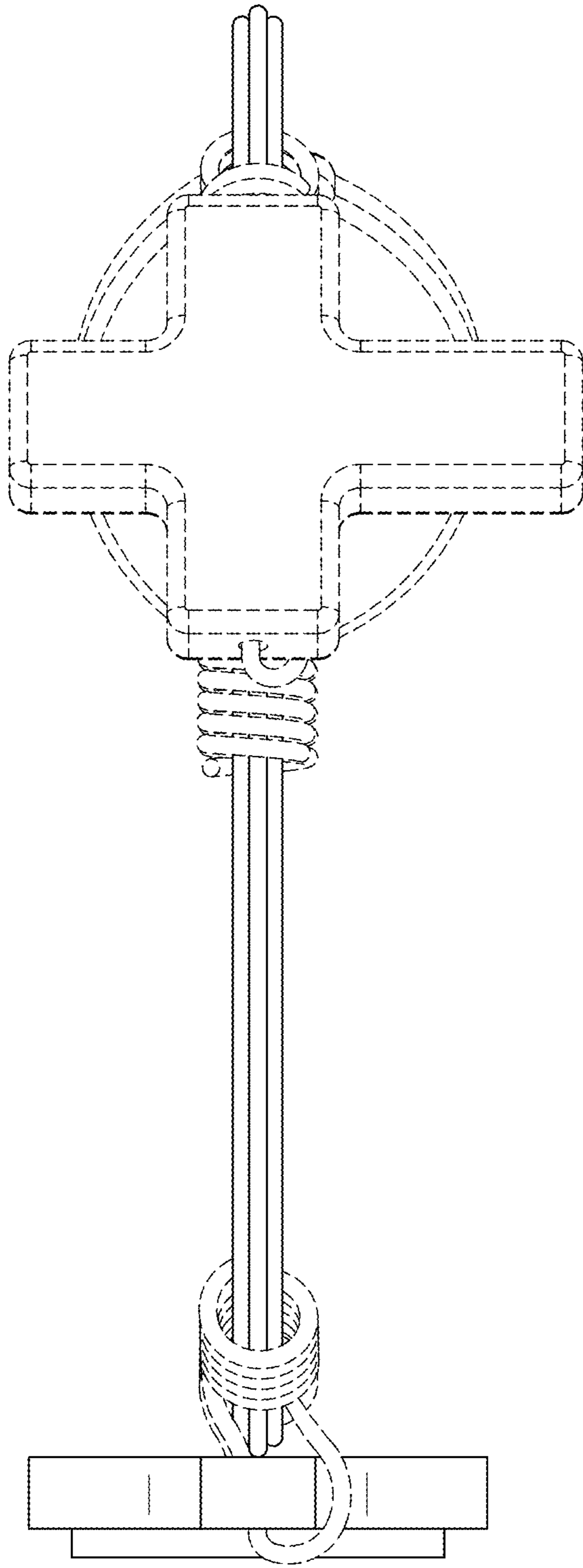


FIG. 7