



US00D874306S

(12) **United States Design Patent** (10) **Patent No.:** **US D874,306 S**
Mackey et al. (45) **Date of Patent:** **** Feb. 4, 2020**

(54) **PHOTO SENSOR HOUSING**
(71) Applicant: **Rockwell Automation Technologies, Inc.**, Mayfield Heights, OH (US)
(72) Inventors: **Dennis C. Mackey**, Ipswich, MA (US); **Adonis Evangelista Reyes**, Billerica, MA (US); **Elik I. Fooks**, Lexington, MA (US); **Suresh R. Nair**, Amherst, NH (US); **Craig M. Brockman**, Windham, NH (US)
(73) Assignee: **Rockwell Automation Technologies, Inc.**, Mayfield Heights, OH (US)

D774,936 S * 12/2016 O'Neil D10/104.1
D800,817 S * 10/2017 Sutton D16/202
D809,411 S * 2/2018 Dwivedula D10/106.9
D818,025 S * 5/2018 Wong D16/202
D840,851 S * 2/2019 Ammar D10/104.1
D852,255 S * 6/2019 Guo D16/202

* cited by examiner

Primary Examiner — George D. Kirschbaum
Assistant Examiner — Joseph J Kukella
(74) *Attorney, Agent, or Firm* — Amin, Turocy & Watson, LLP

(**) Term: **15 Years**

(57) **CLAIM**

The ornamental design for a photo sensor housing, substantially as shown and described.

(21) Appl. No.: **29/598,158**

(22) Filed: **Mar. 23, 2017**

DESCRIPTION

(51) **LOC (12) Cl.** **10-05**

(52) **U.S. Cl.**
USPC **D10/106.1**

(58) **Field of Classification Search**
USPC D16/202, 203, 214, 215; D10/70, 97, D10/103, 104.1, 104.2, 106.1–106.95, D10/108, 121, 123, 124, 125, 126, 132; D14/435, 437
CPC G08B 17/00; G08B 17/06; G08B 17/10; G08B 17/11; G08B 17/12; G08B 17/103; G08B 17/107; G08B 21/02; G08B 21/0202; G08B 21/0205; H04N 5/2251; H04N 5/2252; H04N 5/2253; H04N 5/2254

See application file for complete search history.

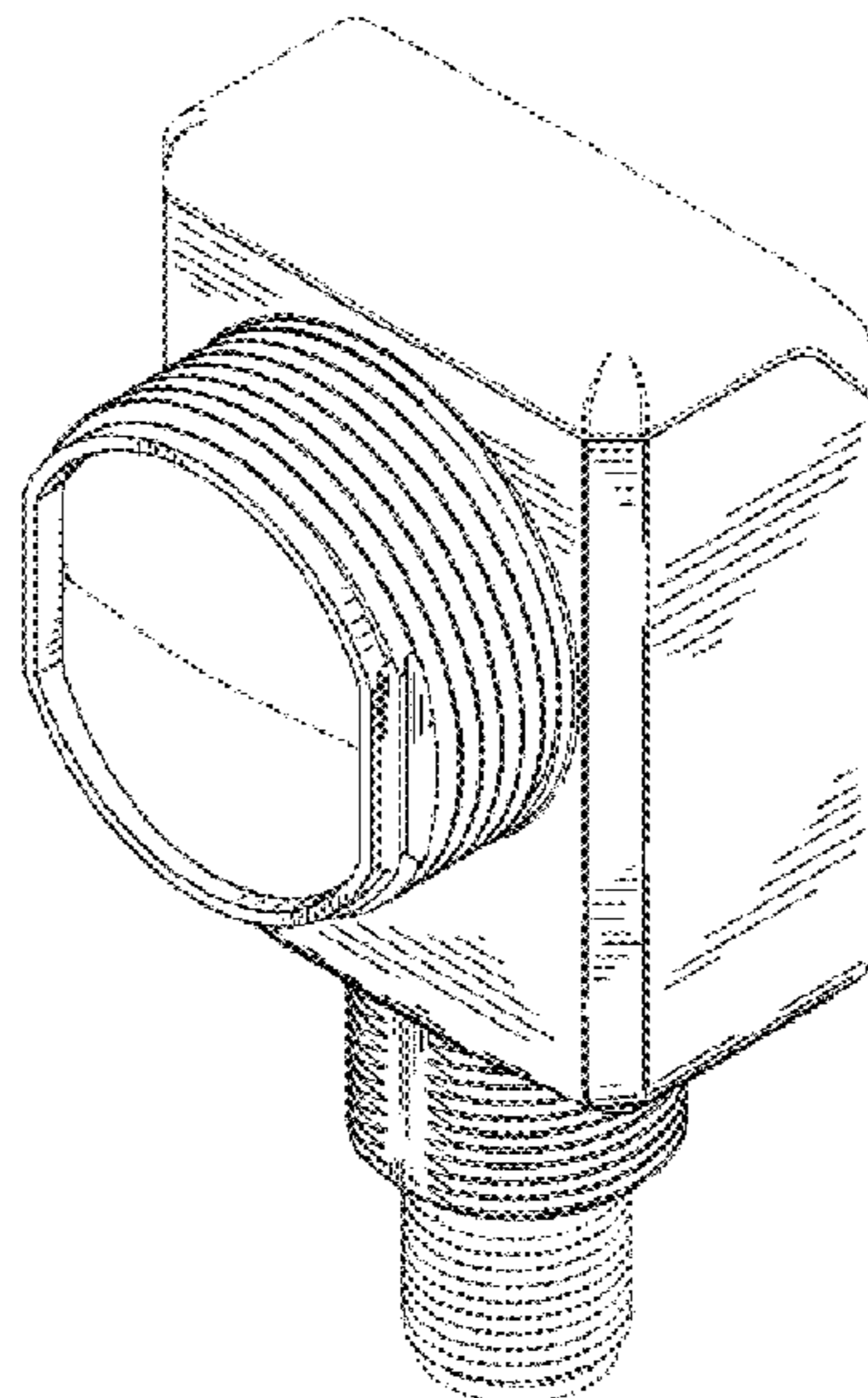
FIG. 1 is an isometric view of an ornamental design for a photo sensor housing.
FIG. 2 is a right side view of the ornamental design for the photo sensor housing shown in FIG. 1.
FIG. 3 is a left side view of the ornamental design for the photo sensor housing shown in FIG. 1.
FIG. 4 is a front view of the ornamental design for the photo sensor housing shown in FIG. 1.
FIG. 5 is a rear view of the ornamental design for the photo sensor housing shown in FIG. 1.
FIG. 6 is a top view of the ornamental design for the photo sensor housing shown in FIG. 1.
FIG. 7 is a bottom view of the ornamental design for the photo sensor housing shown in FIG. 1; and,
FIG. 8 is a bottom perspective view of the ornamental design for the photo sensor housing shown in FIG. 1.
In the drawings, the broken lines depict environmental subject matter only and form no part of the claimed design.

(56) **References Cited**

U.S. PATENT DOCUMENTS

D401,910 S 12/1998 Fooks et al.
D671,584 S * 11/2012 Ohno D16/202

1 Claim, 5 Drawing Sheets



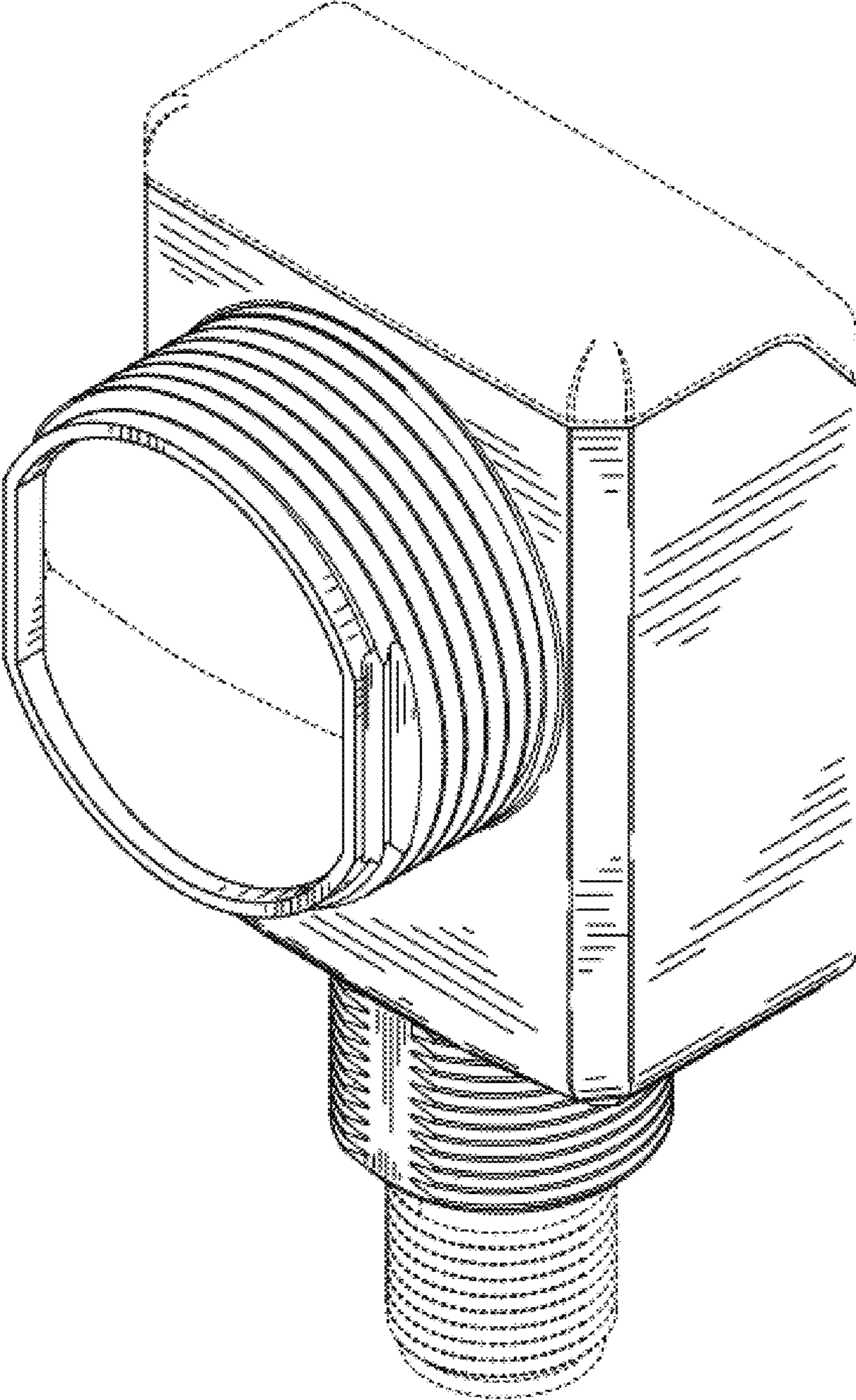


FIG. 1

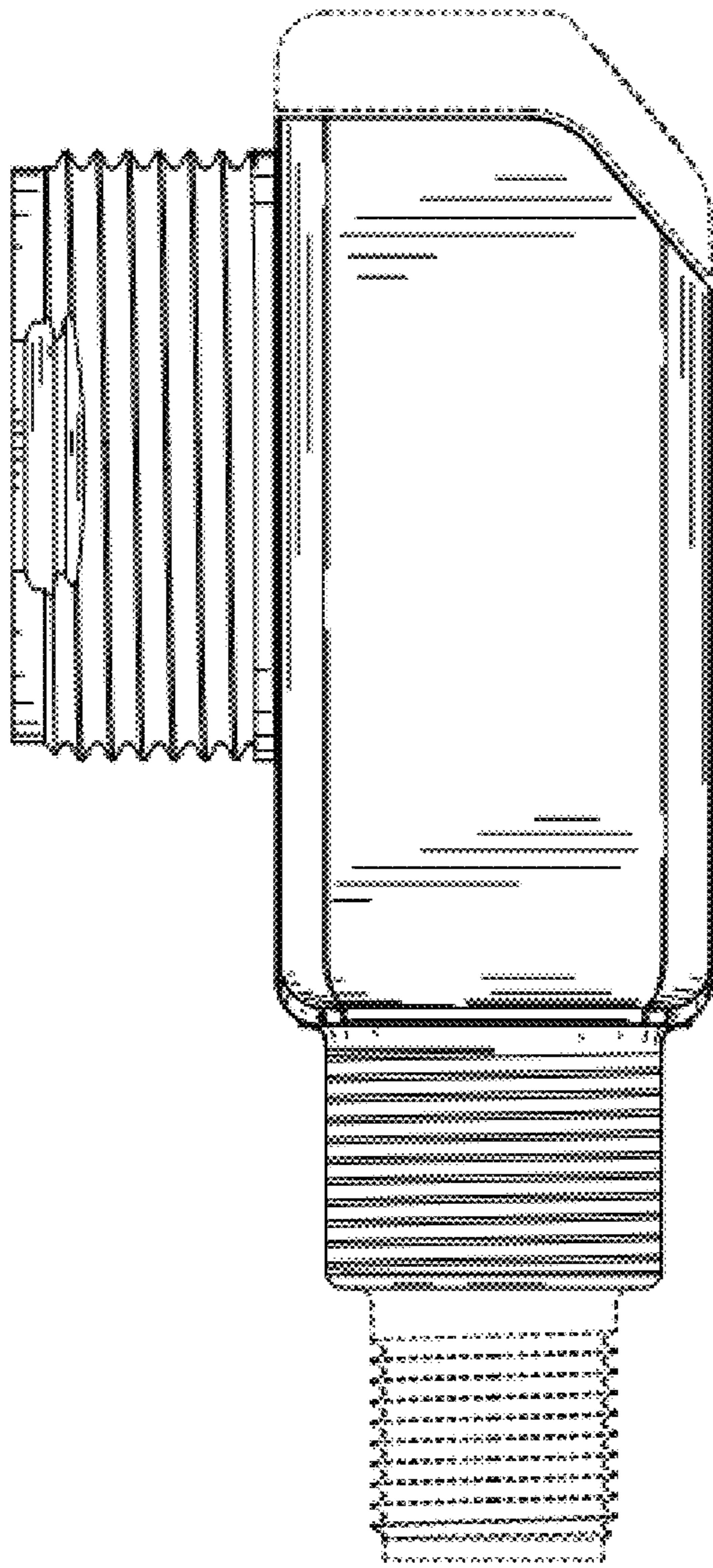


FIG. 2

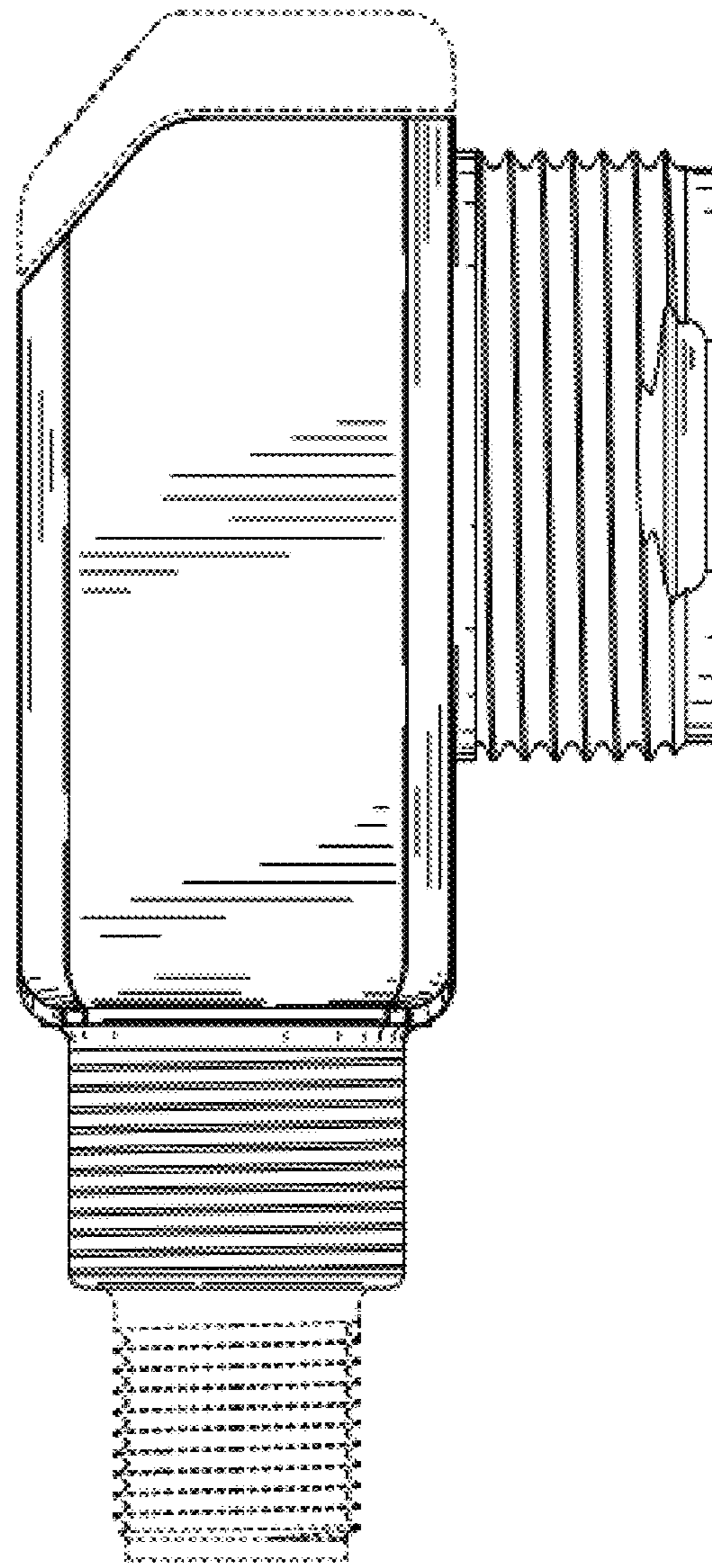


FIG. 3

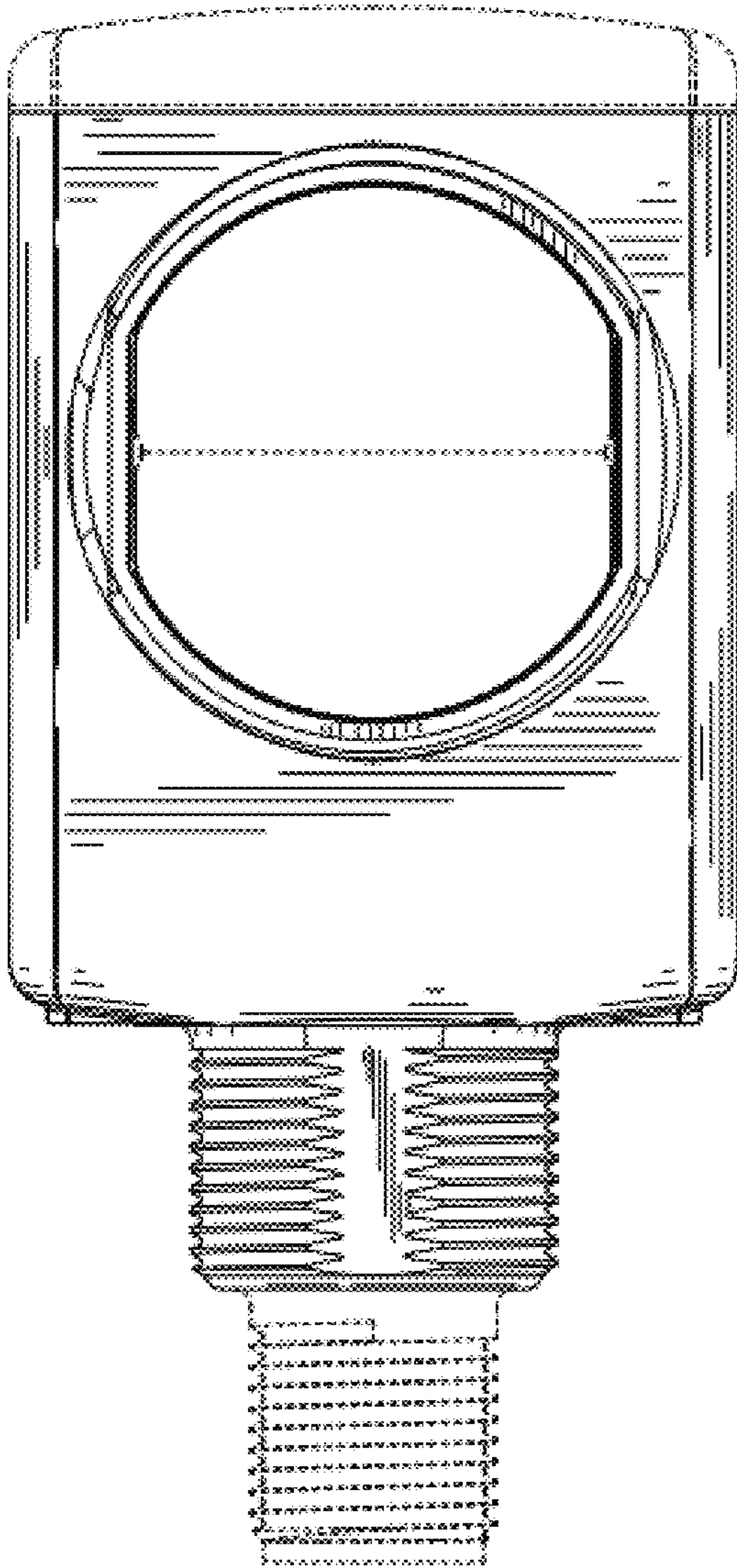


FIG. 4

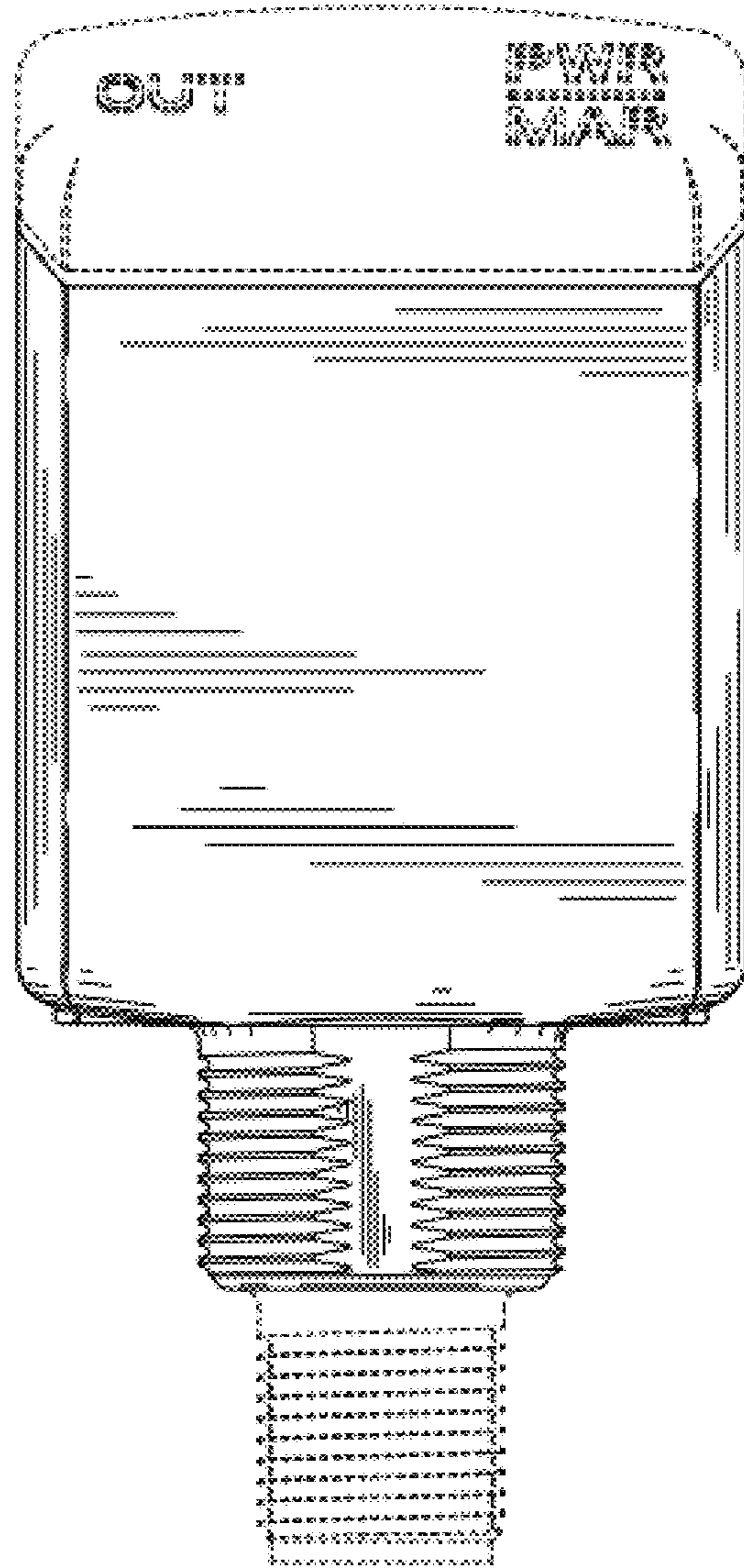


FIG. 5

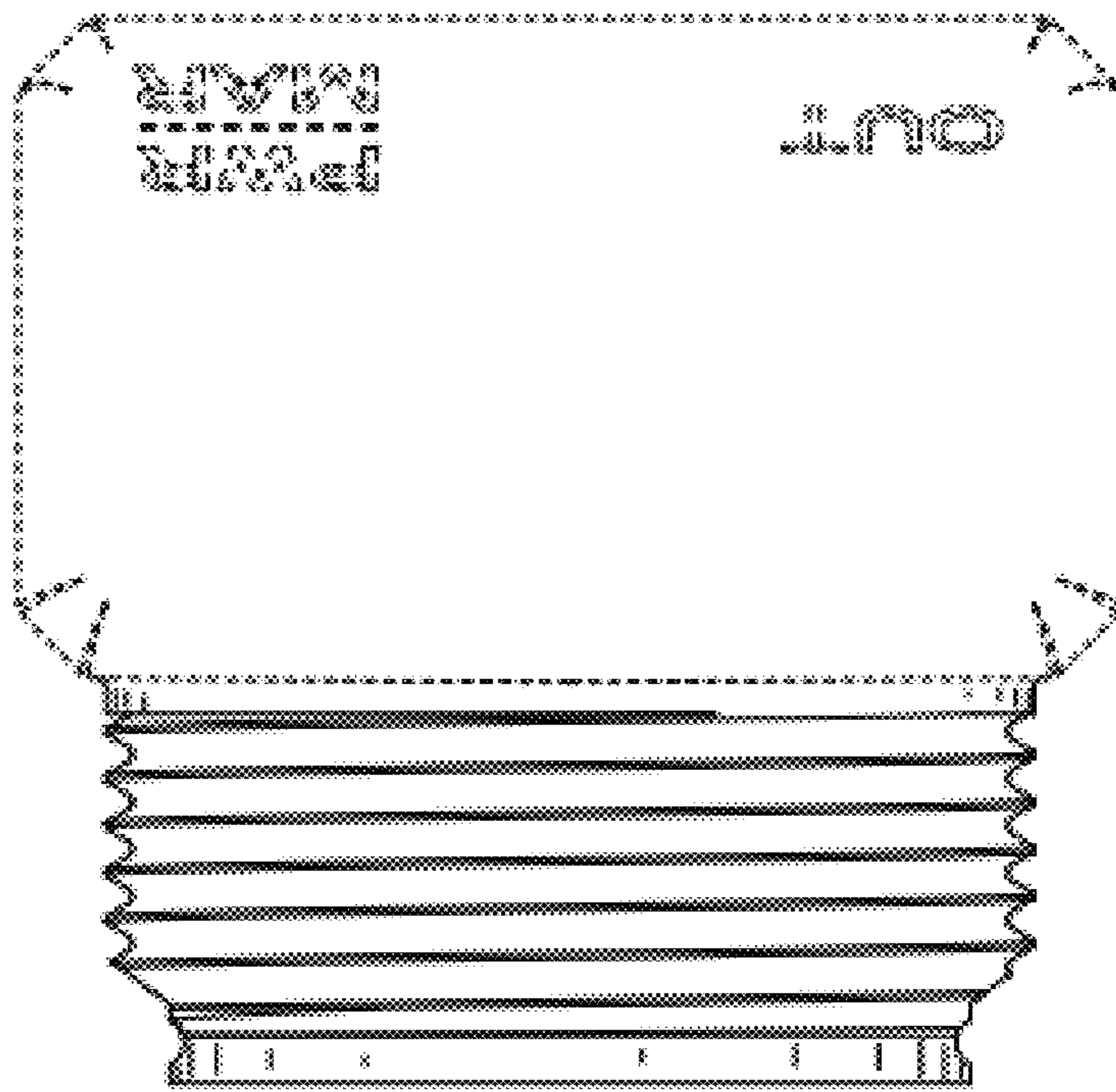


FIG. 6

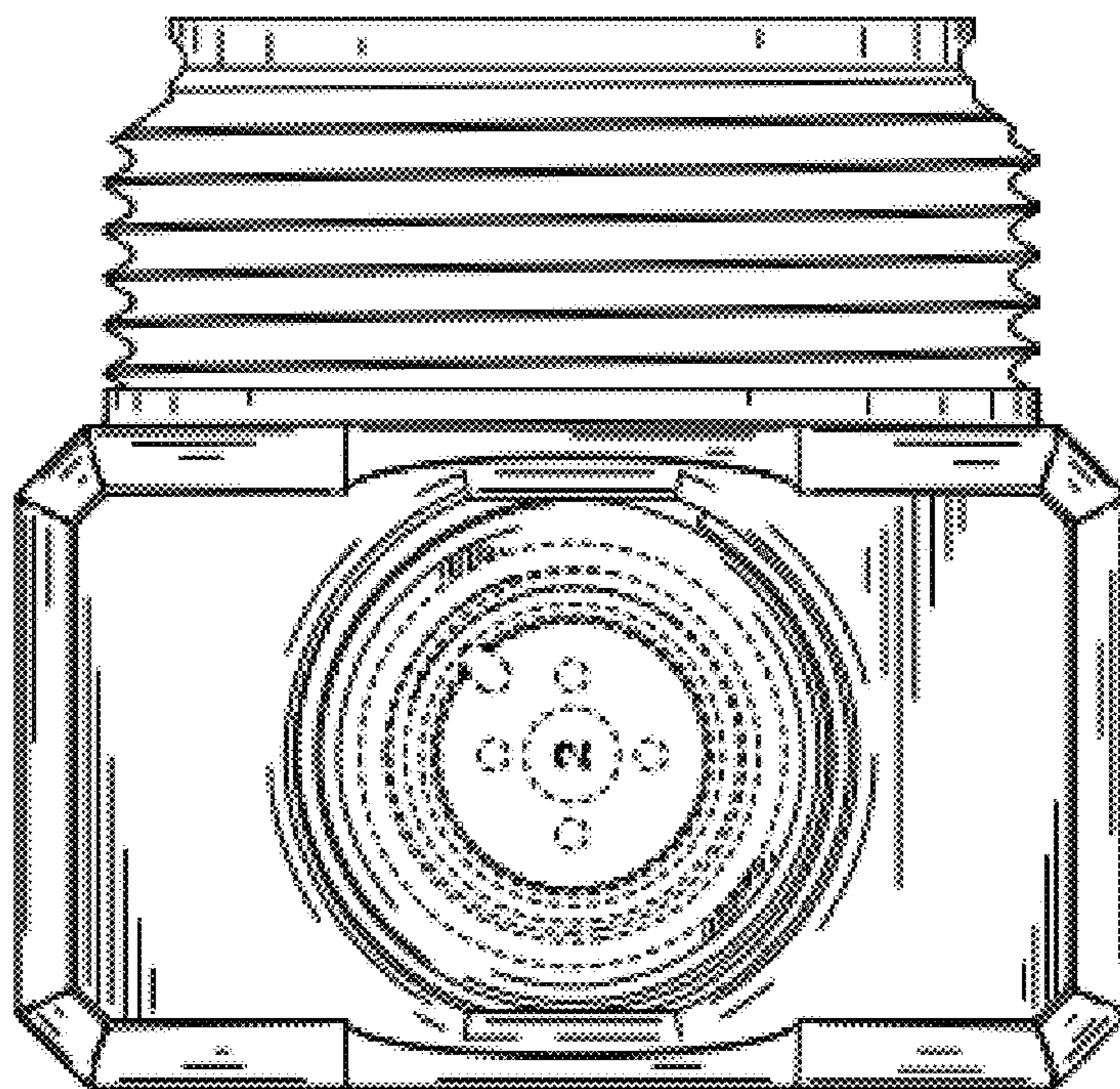


FIG. 7

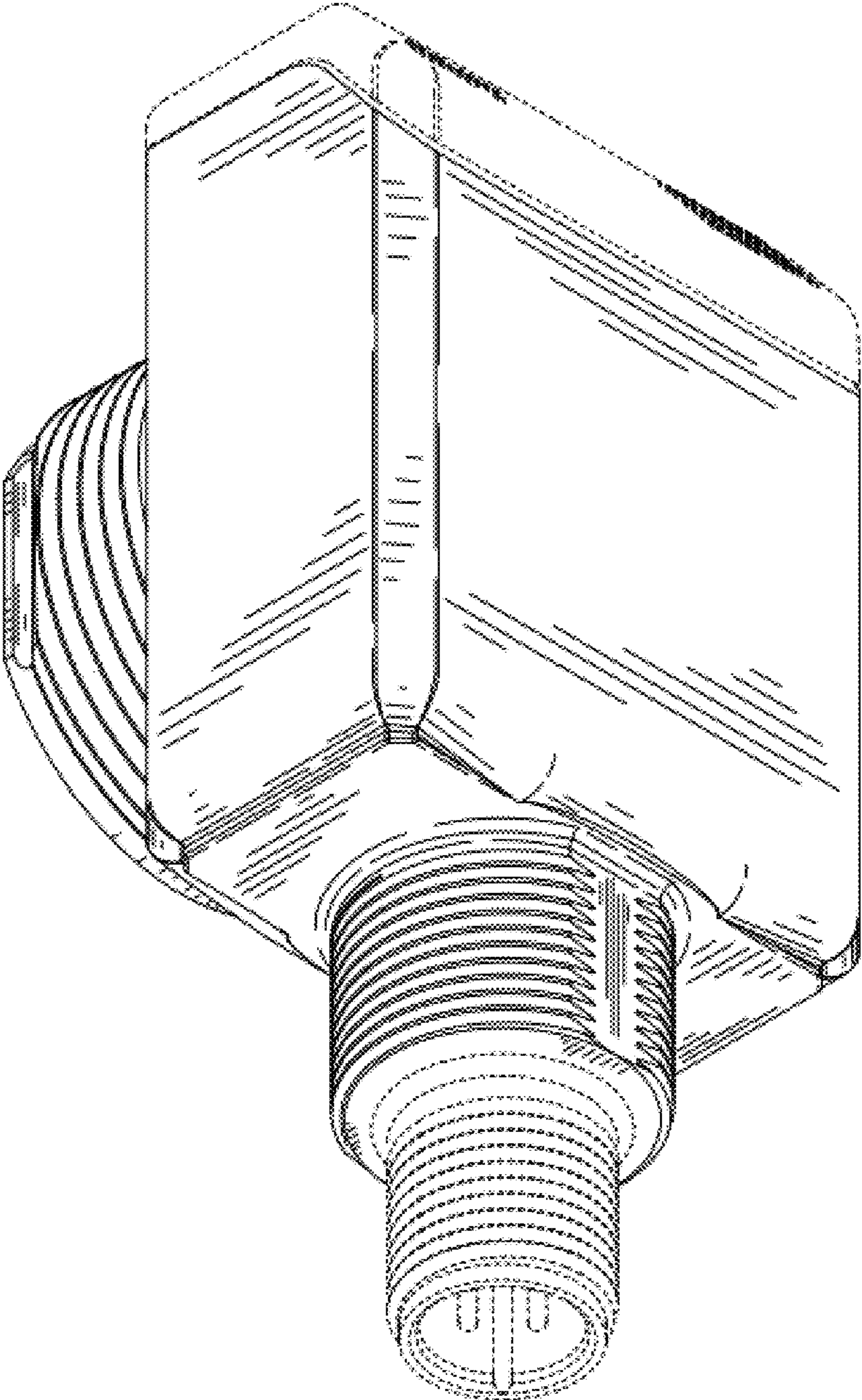


FIG. 8