



US00D874303S

(12) **United States Design Patent** (10) **Patent No.:** **US D874,303 S**
Fürer et al. (45) **Date of Patent:** **** Feb. 4, 2020**

(54) **PRESSURE MEASURING DEVICE WITH WIDE BOTTOM SEGMENTS ONLY**

D800,258 S * 10/2017 Komatsuzaki D23/235
D802,716 S * 11/2017 Asaba D23/233
D803,082 S * 11/2017 Banschbach D10/85

(71) Applicant: **KISTLER HOLDING AG**, Winterthur (CH)

* cited by examiner

(72) Inventors: **Daniel Fürer**, Zurich (CH); **Christof Sonderegger**, Frauenfeld (CH); **Daniel Buerki**, Effretikon (CH)

Primary Examiner — George D. Kirschbaum

(74) *Attorney, Agent, or Firm* — Dority & Manning, P.A.

(73) Assignee: **KISTLER HOLDING AG**, Winterthur (CH)

(57) **CLAIM**

The ornamental design for pressure measuring device with wide bottom segments only, as shown and described.

(**) Term: **15 Years**

(21) Appl. No.: **29/640,981**

DESCRIPTION

(22) Filed: **Mar. 19, 2018**

Related U.S. Application Data

(62) Division of application No. 35/501,972, filed on Sep. 1, 2016 (U.S. filing date under 35 U.S.C. 384), and having an international filing date of Sep. 1, 2016, now Pat. No. Des. 817,795.

(51) **LOC (12) Cl.** **10-04**

(52) **U.S. Cl.**
USPC **D10/85**

(58) **Field of Classification Search**
USPC D10/83, 85; D23/233, 235
See application file for complete search history.

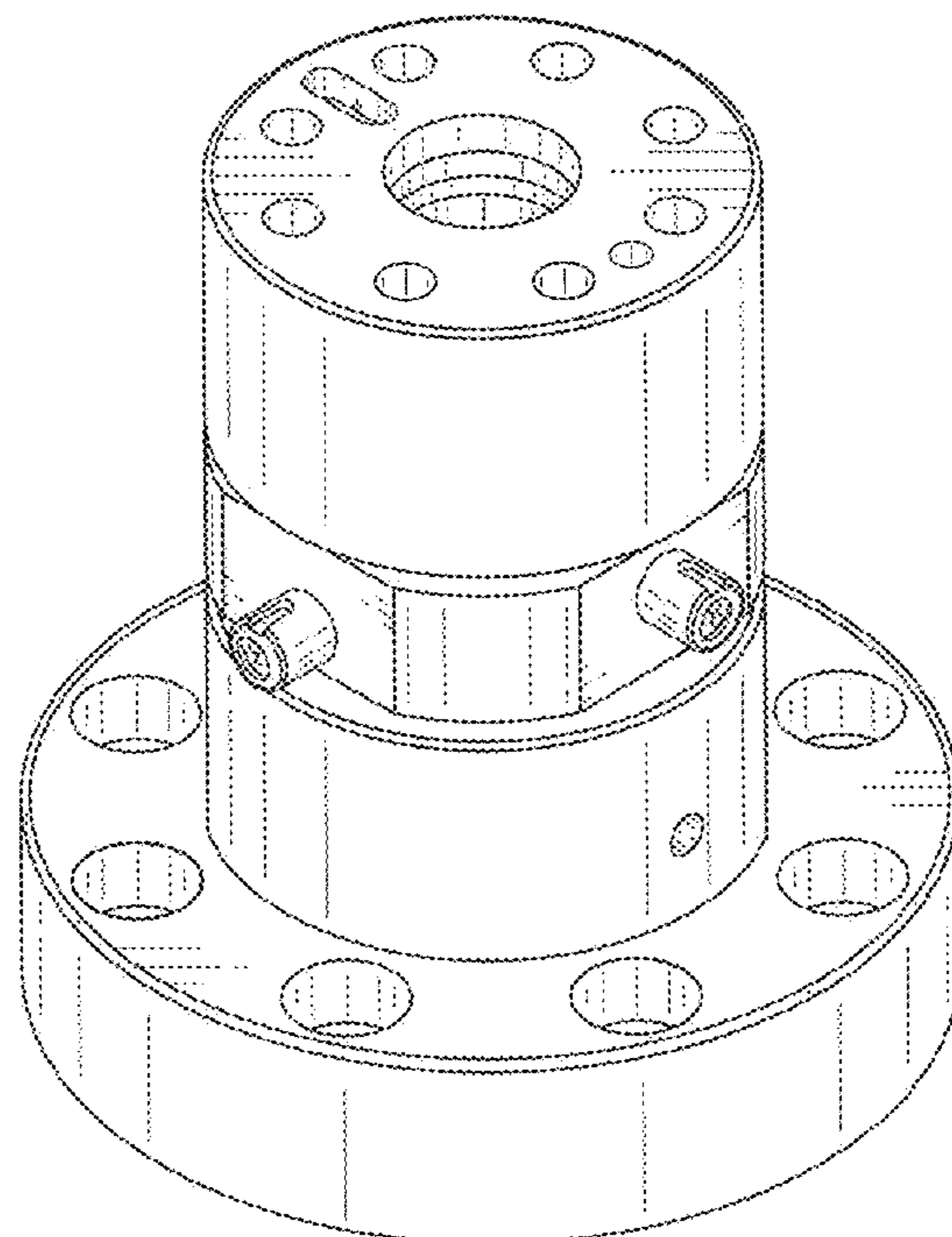
FIG. 1 is a front view.
FIG. 2 is a left side view.
FIG. 3 is a rear view.
FIG. 4 is a right side view.
FIG. 5 is a top perspective view taken from the rear and left side.
FIG. 6 is a top perspective view taken from the rear and right side.
FIG. 7 is a top view.
FIG. 8 is a bottom view.
FIG. 9 is a right side view.
FIG. 10 is a front view.
FIG. 11 is a left side view.
FIG. 12 is a rear view.
FIG. 13 is a top perspective view taken from the left side and the rear; and,
FIG. 14 is a top perspective view taken from the rear and right side.

(56) **References Cited**

U.S. PATENT DOCUMENTS

D271,571 S * 11/1983 Lonnstedt D10/83
D794,164 S * 8/2017 Suzuki D23/233

1 Claim, 14 Drawing Sheets



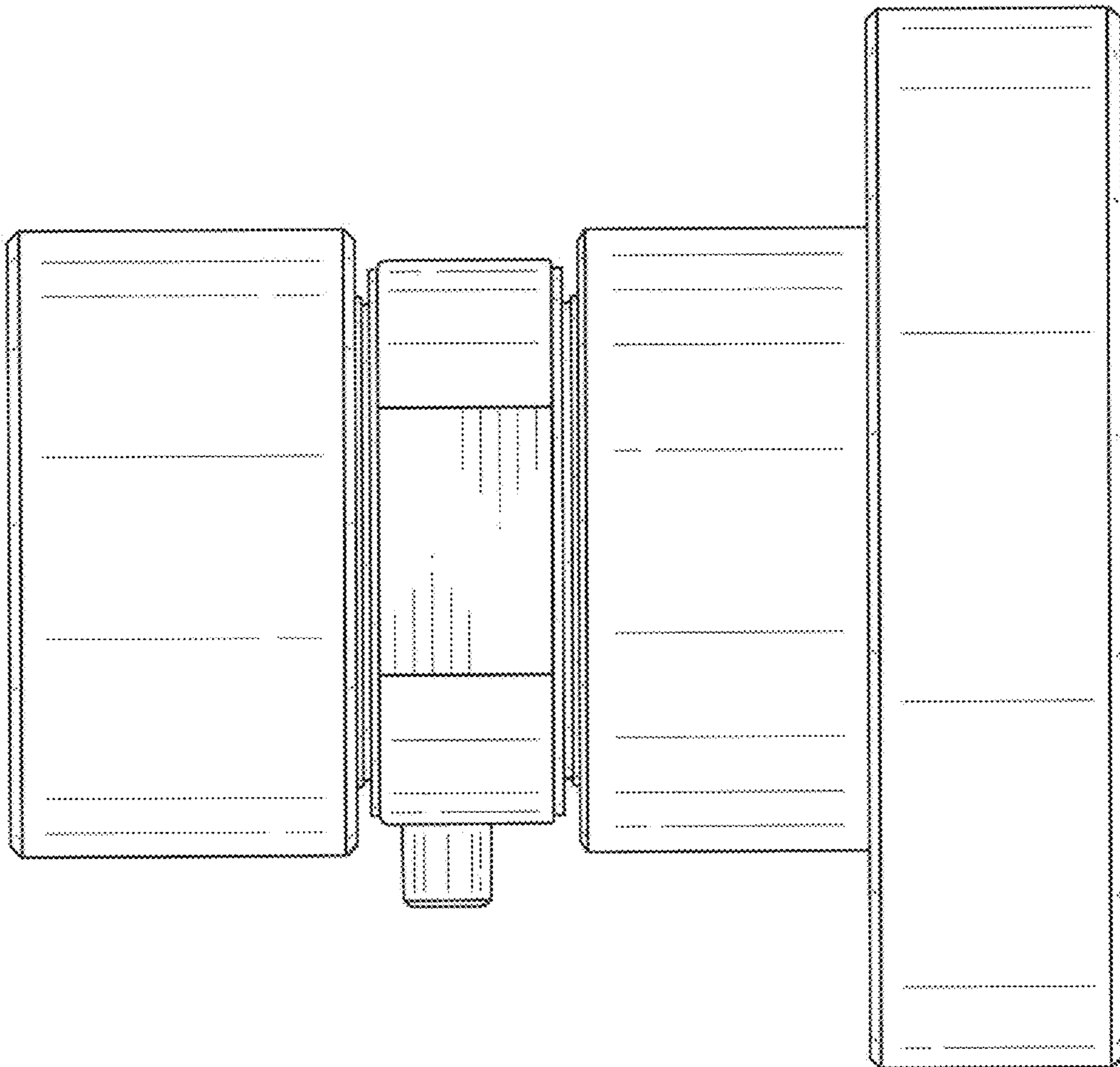


FIG. 1

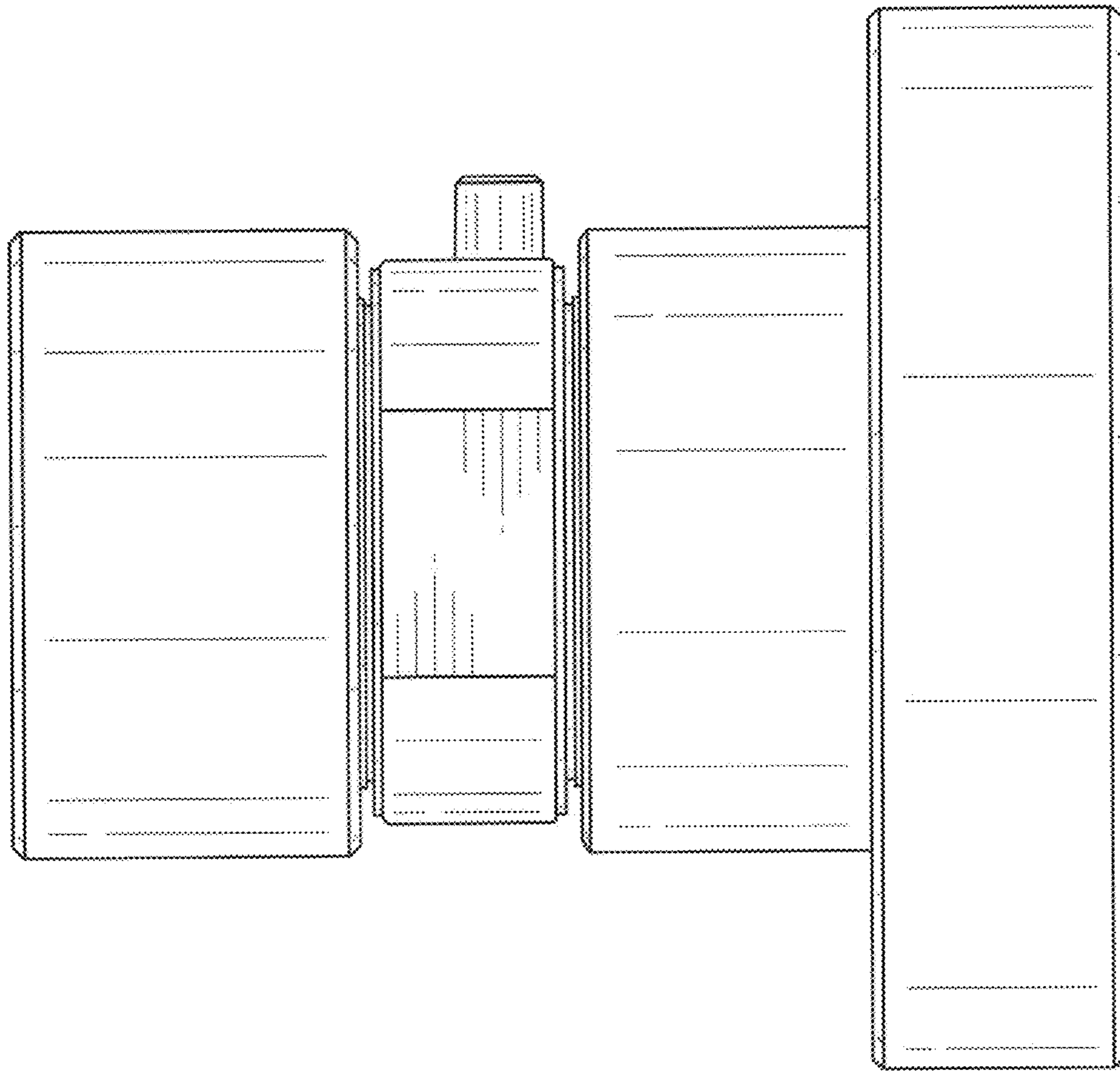


FIG. 2

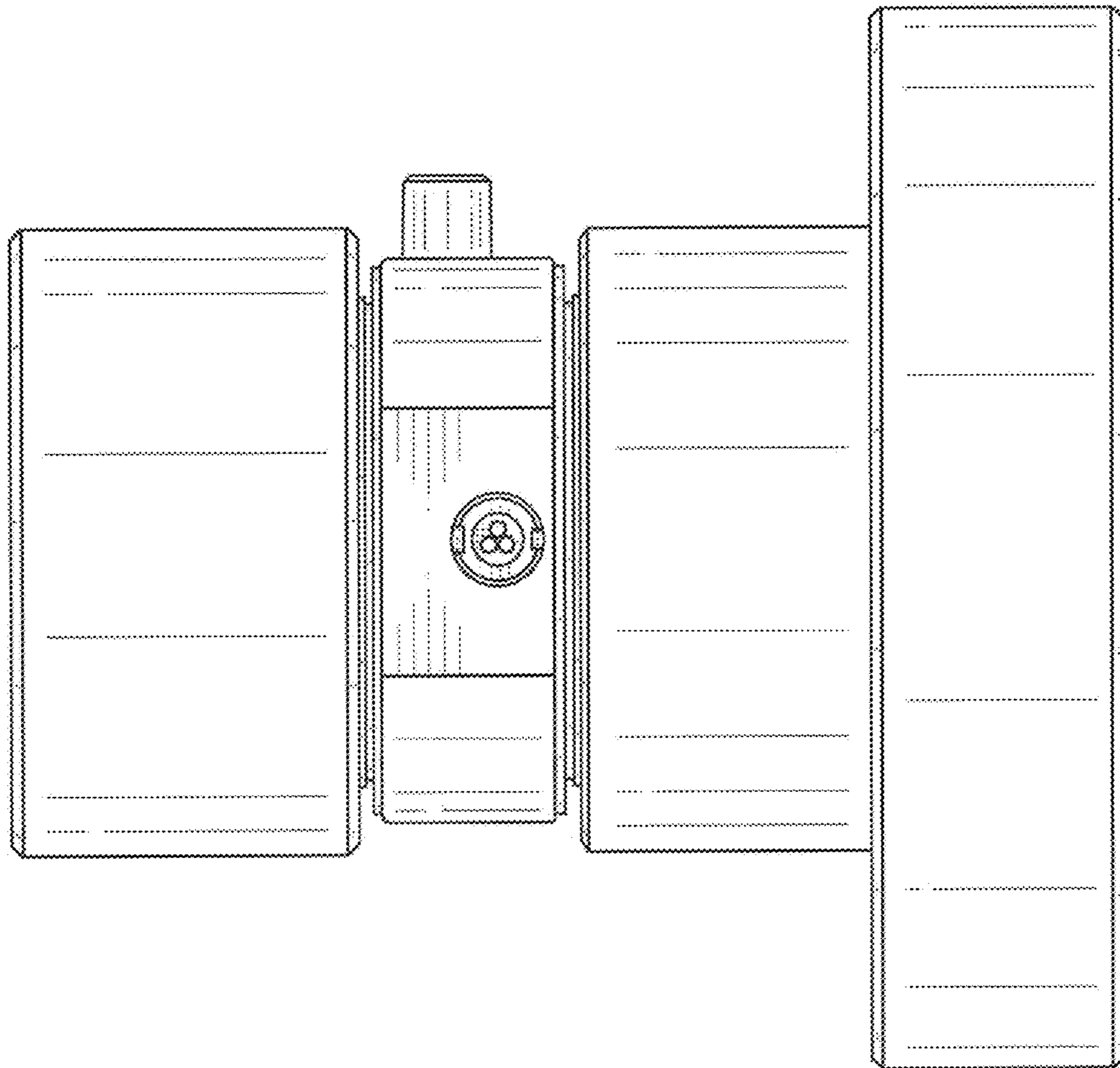


FIG. 3

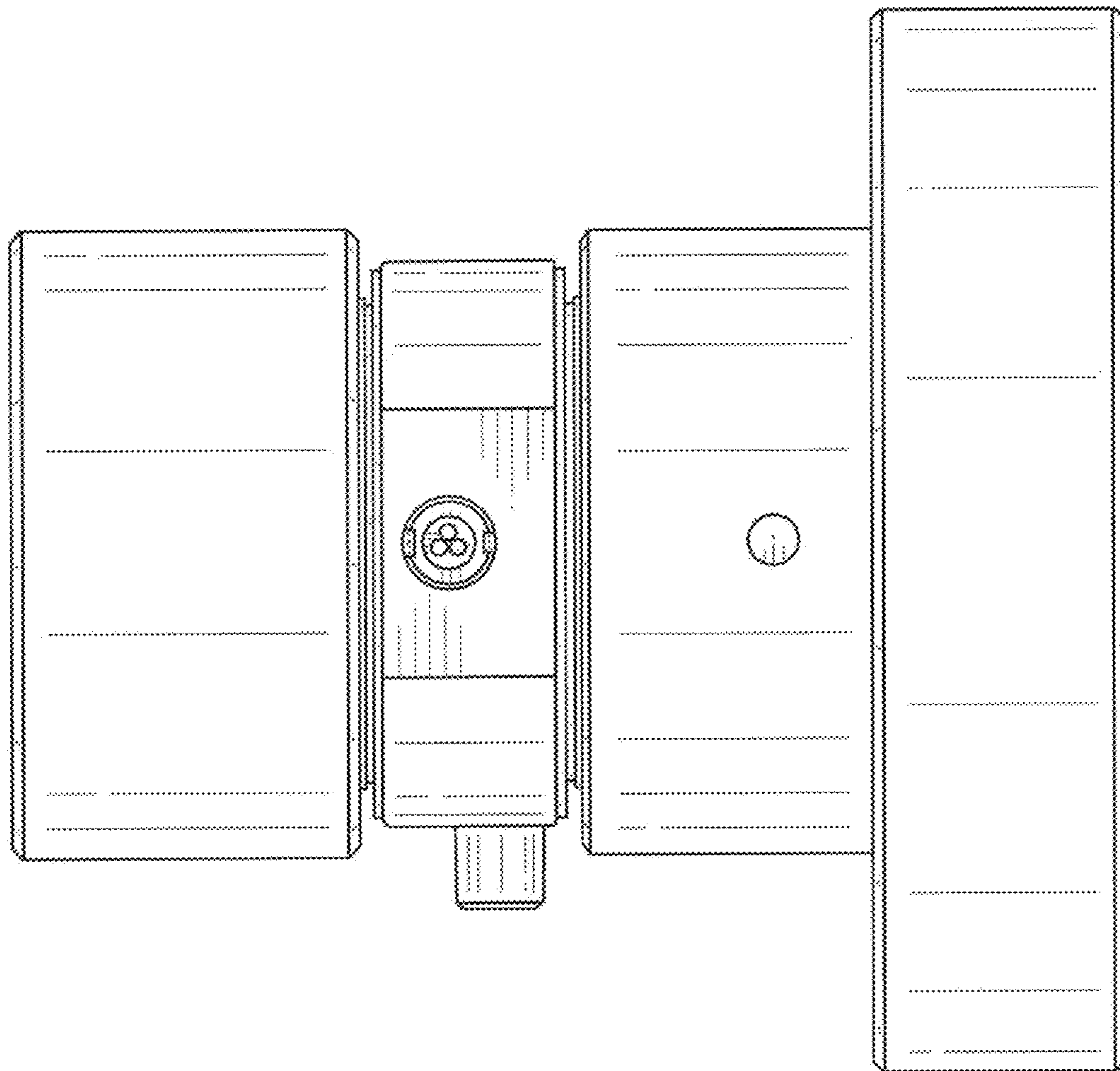


FIG. 4

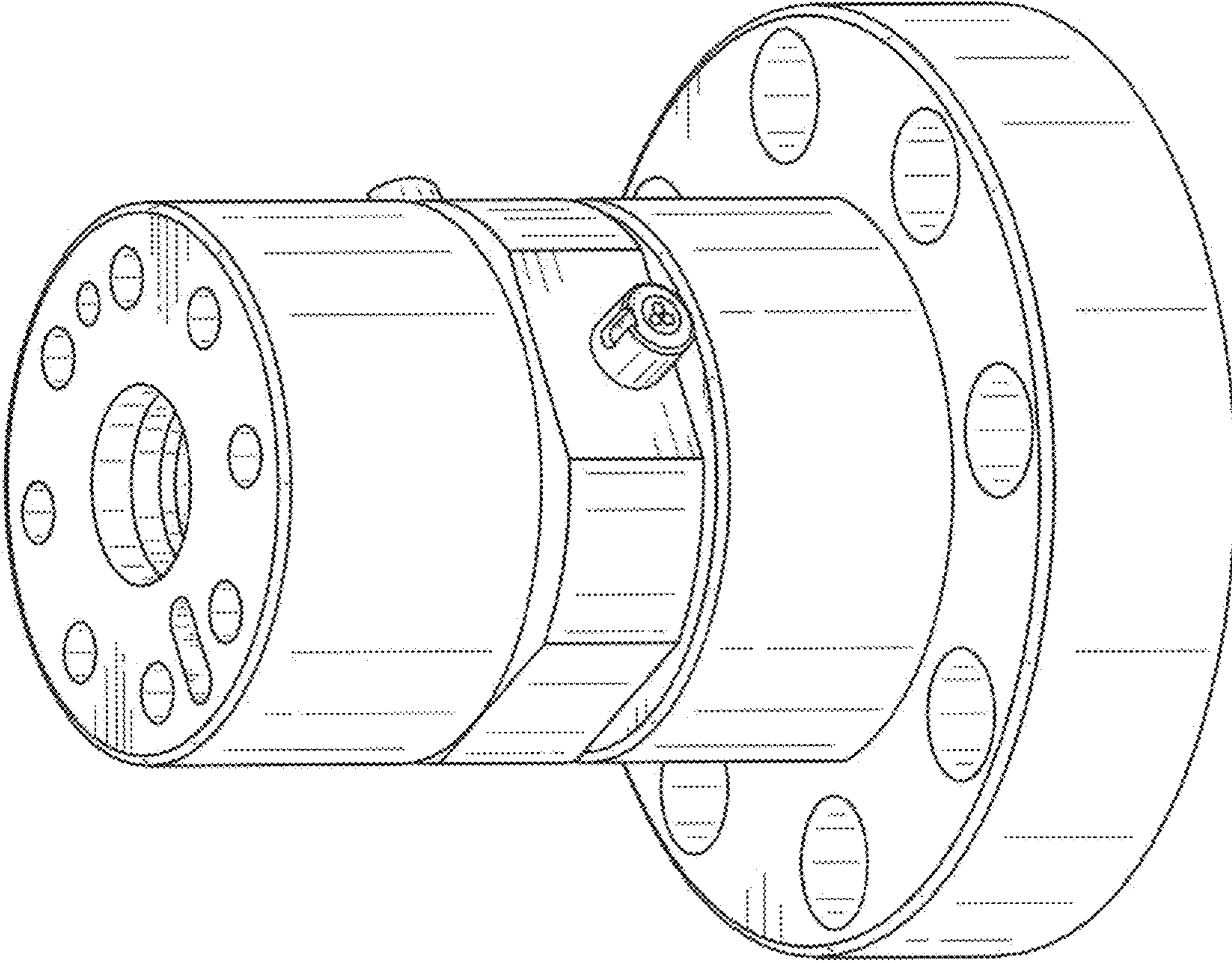


FIG. 5

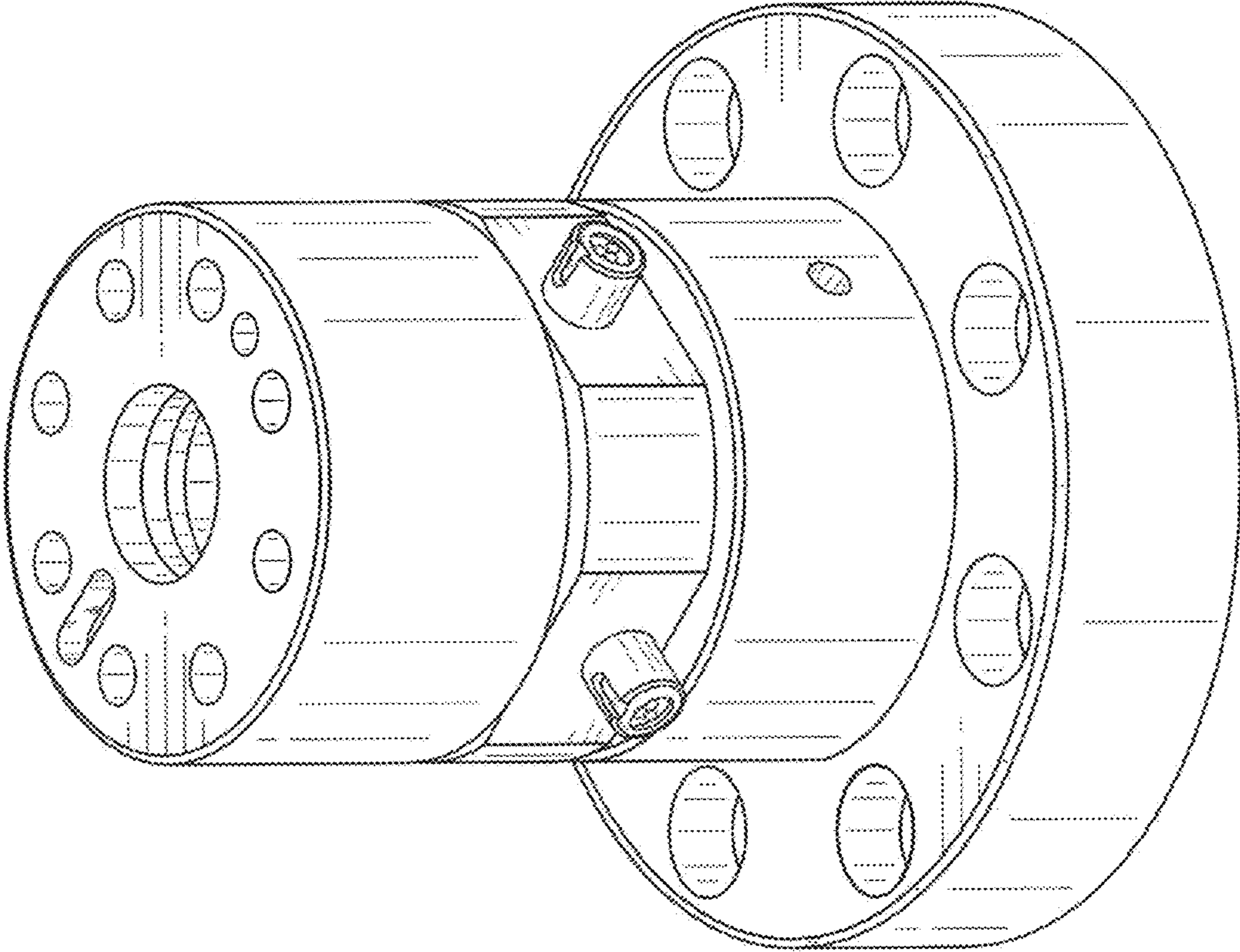


FIG. 6

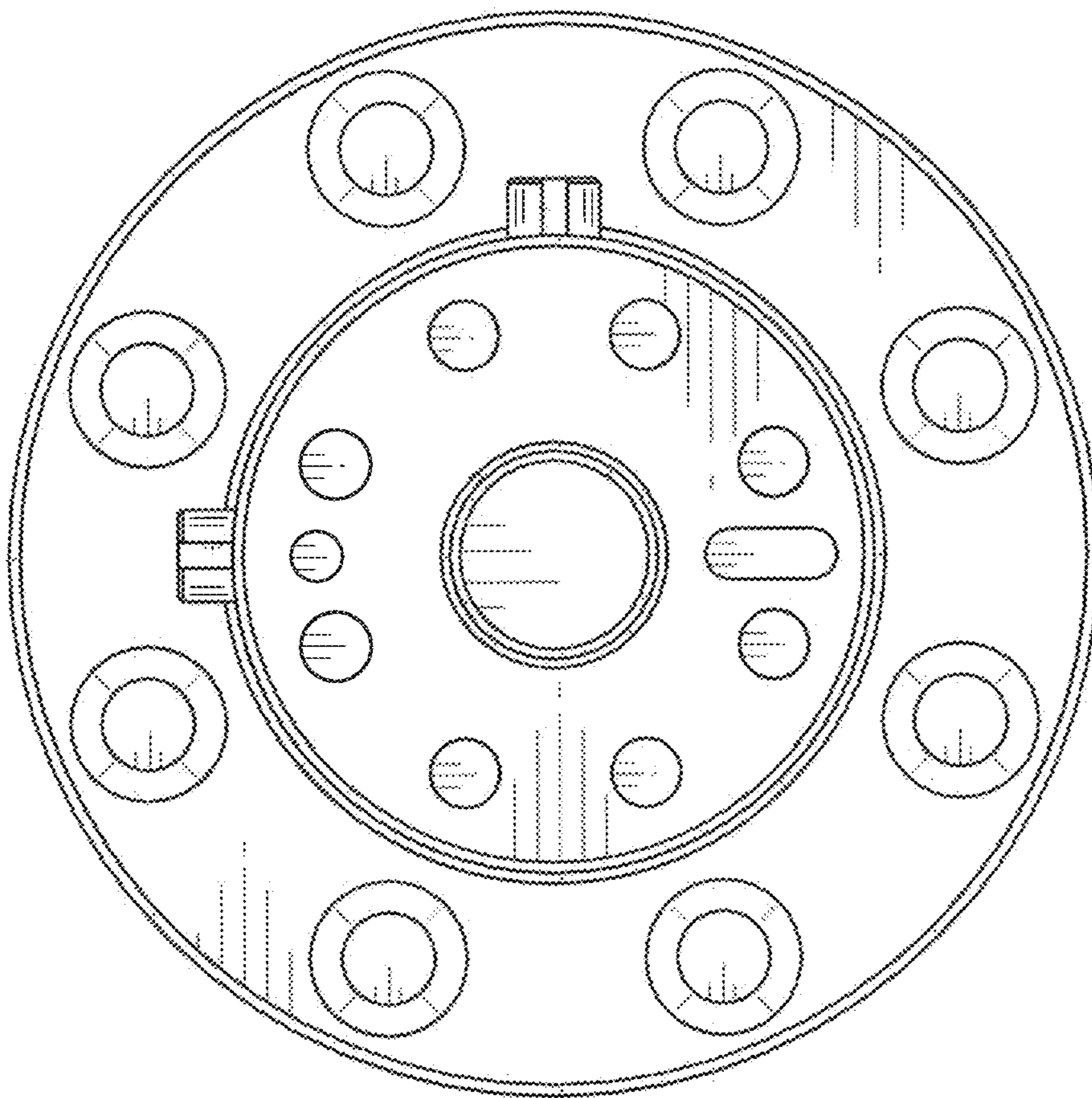


FIG. 7

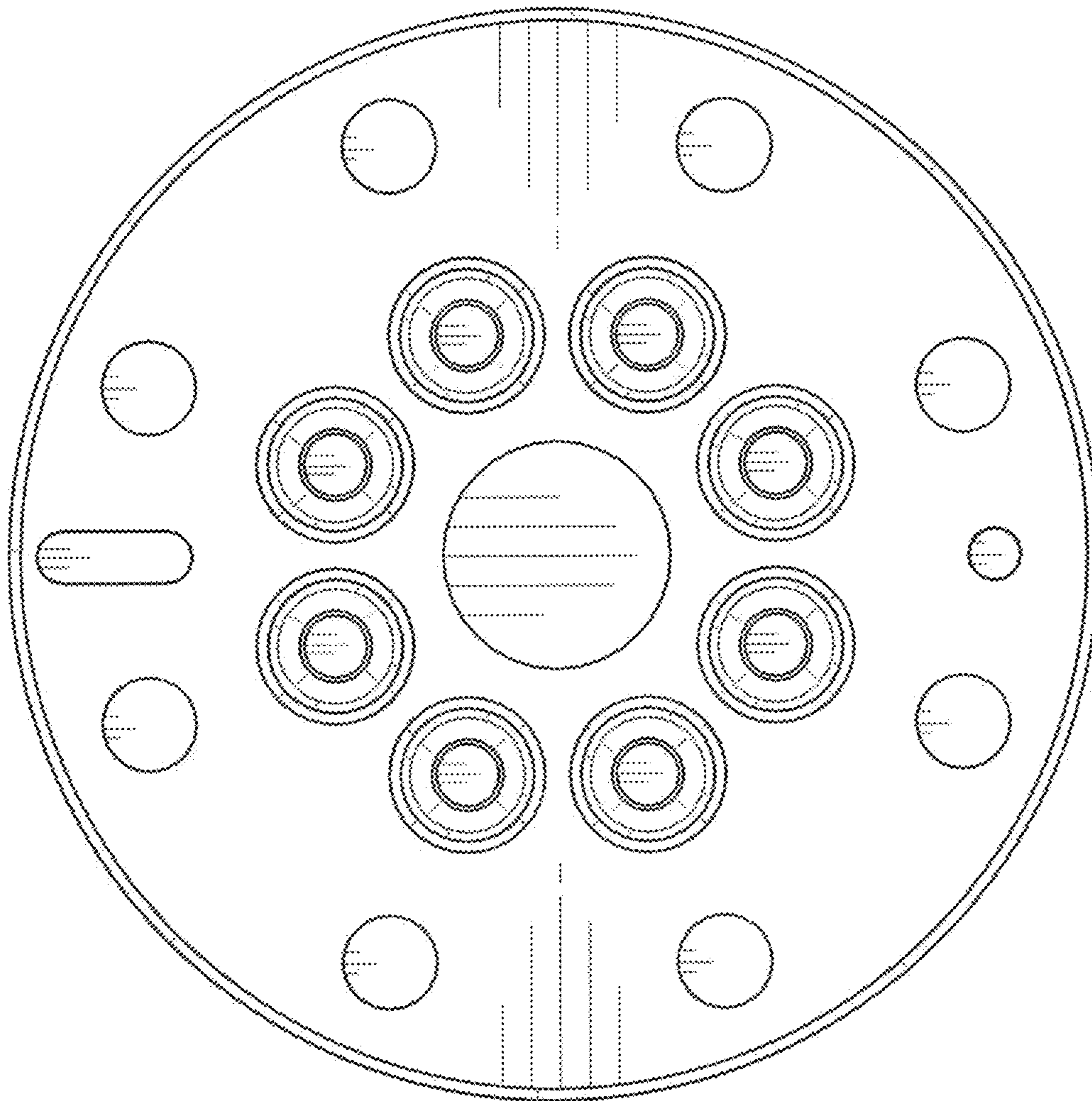


FIG. 8

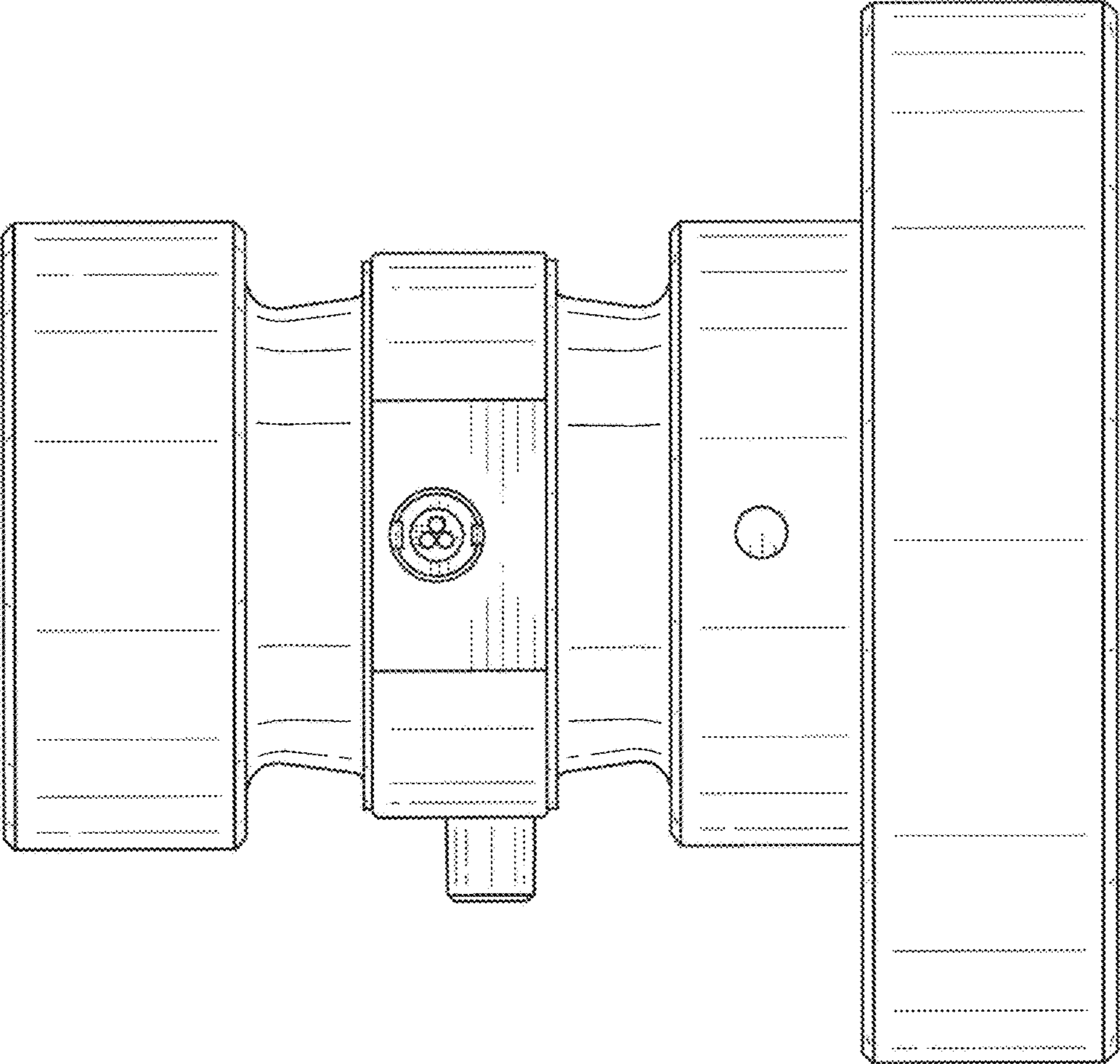


FIG. 9

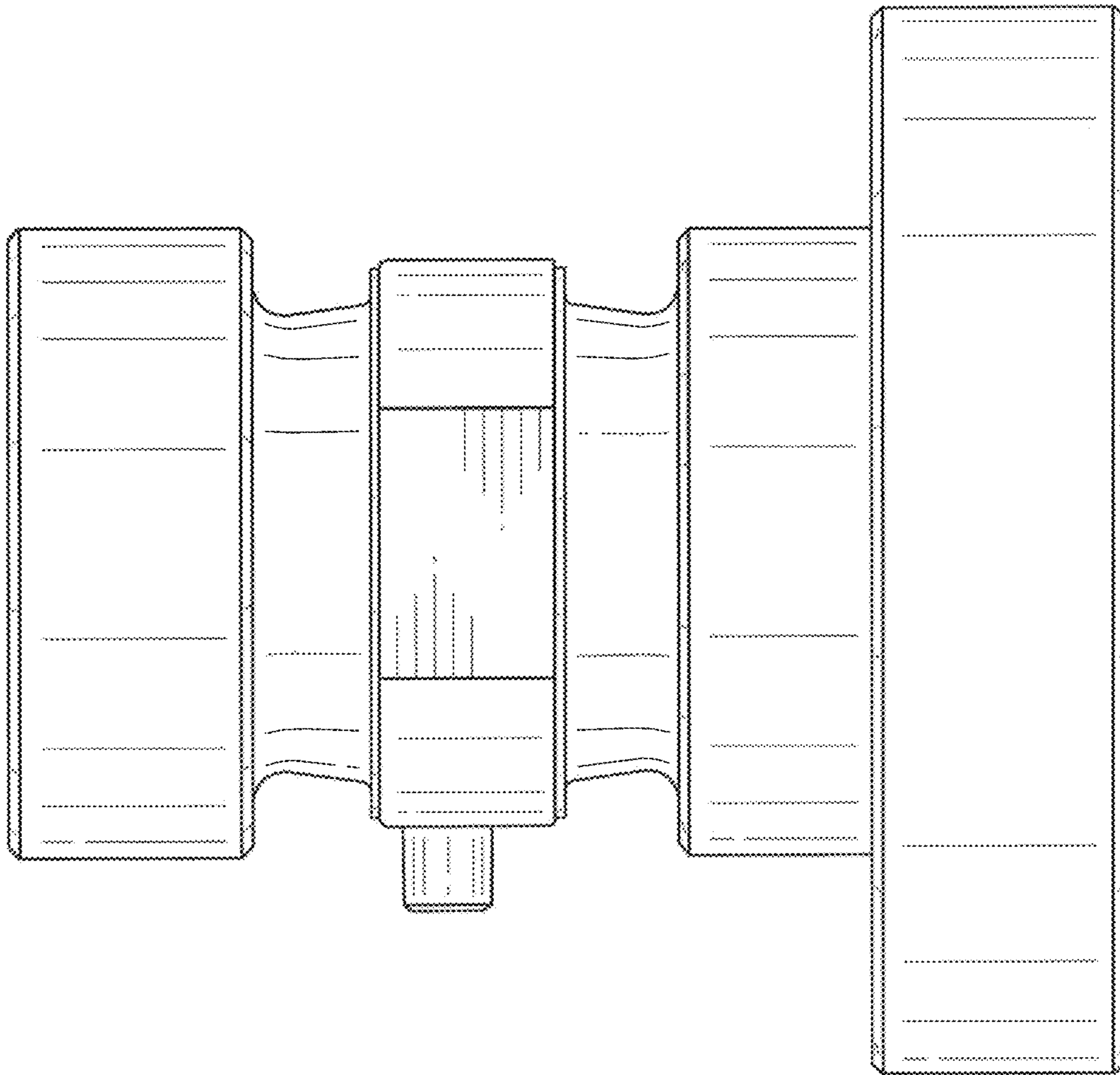


FIG. 10

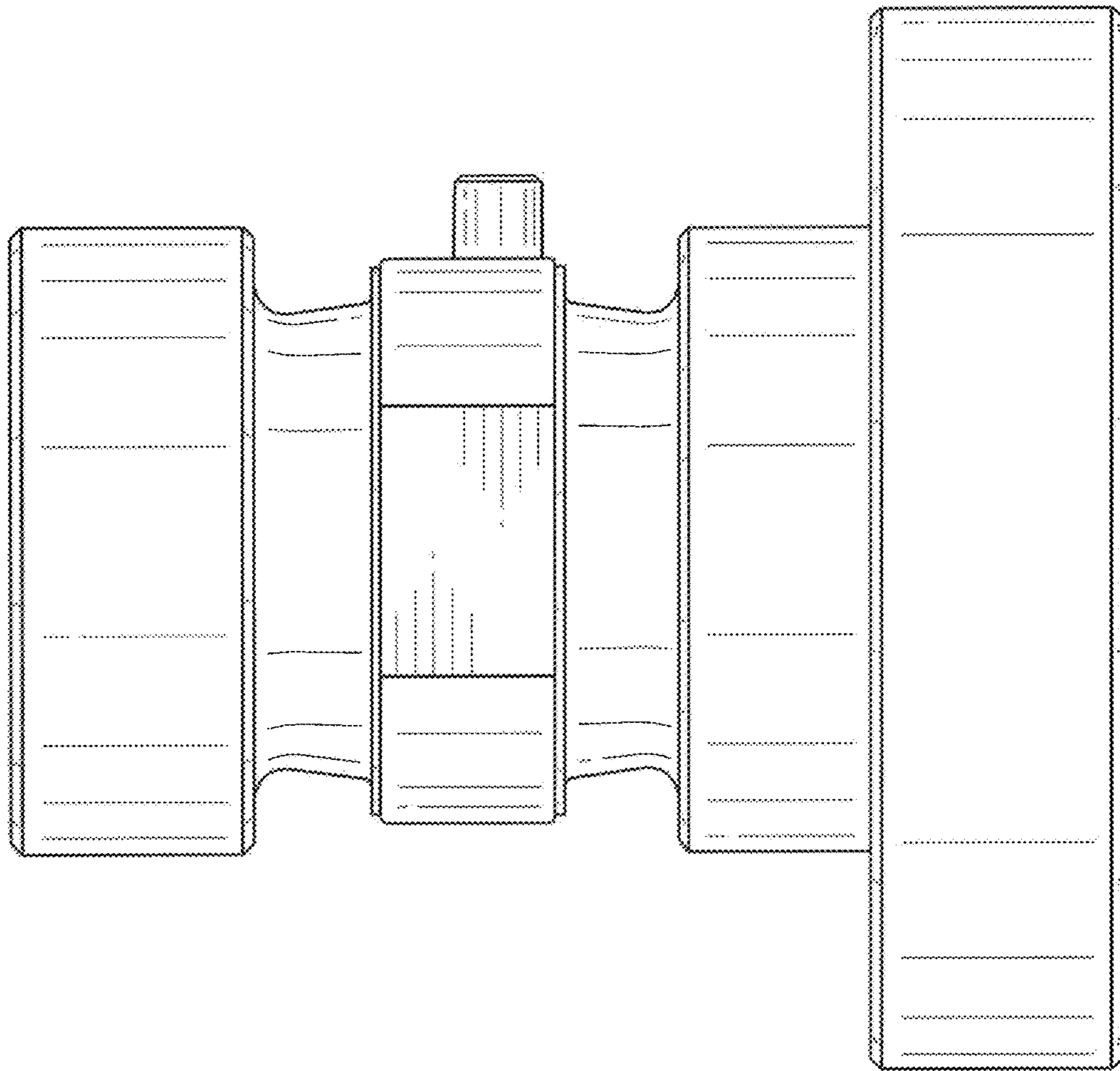


FIG. 11

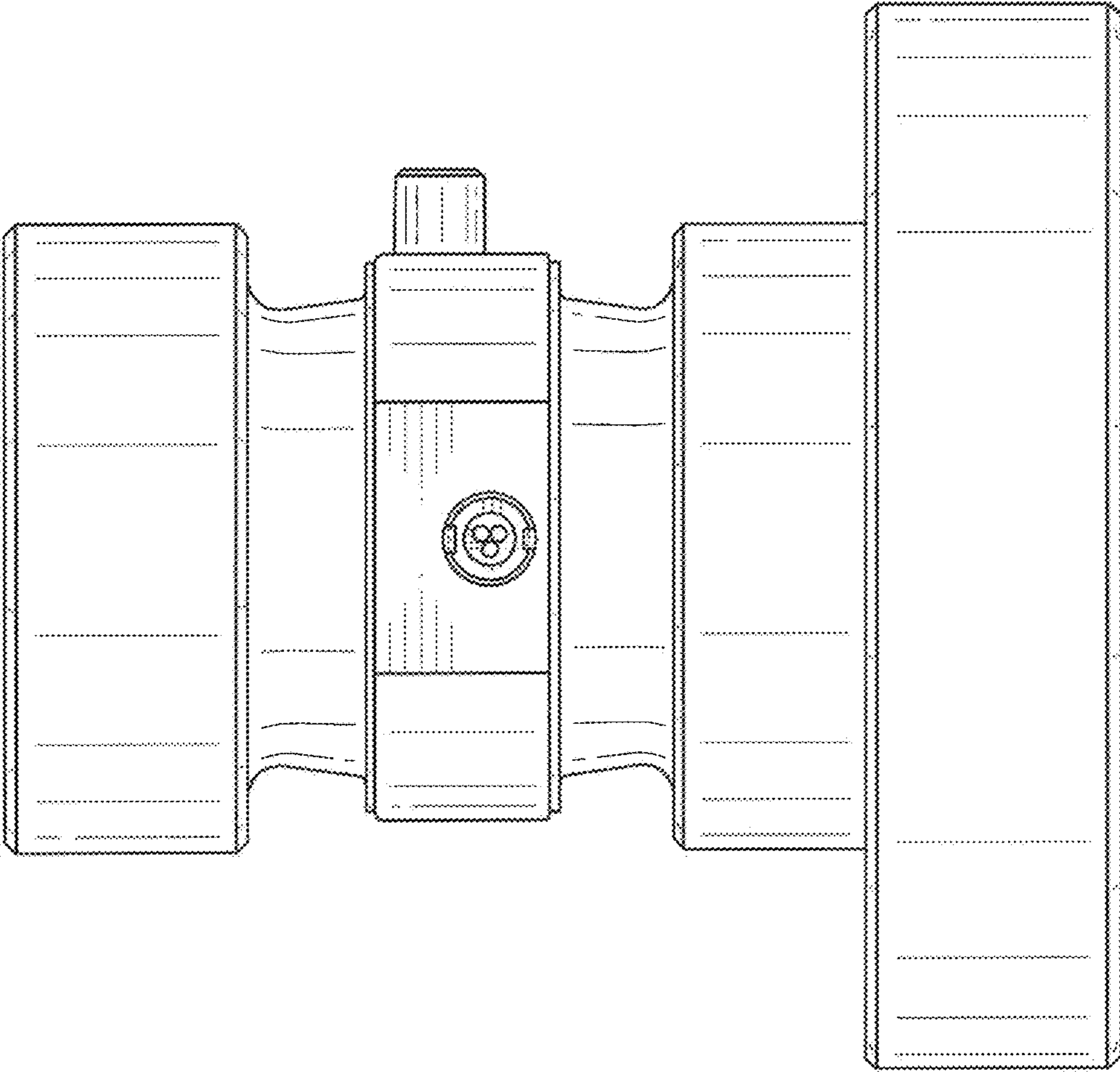


FIG. 12

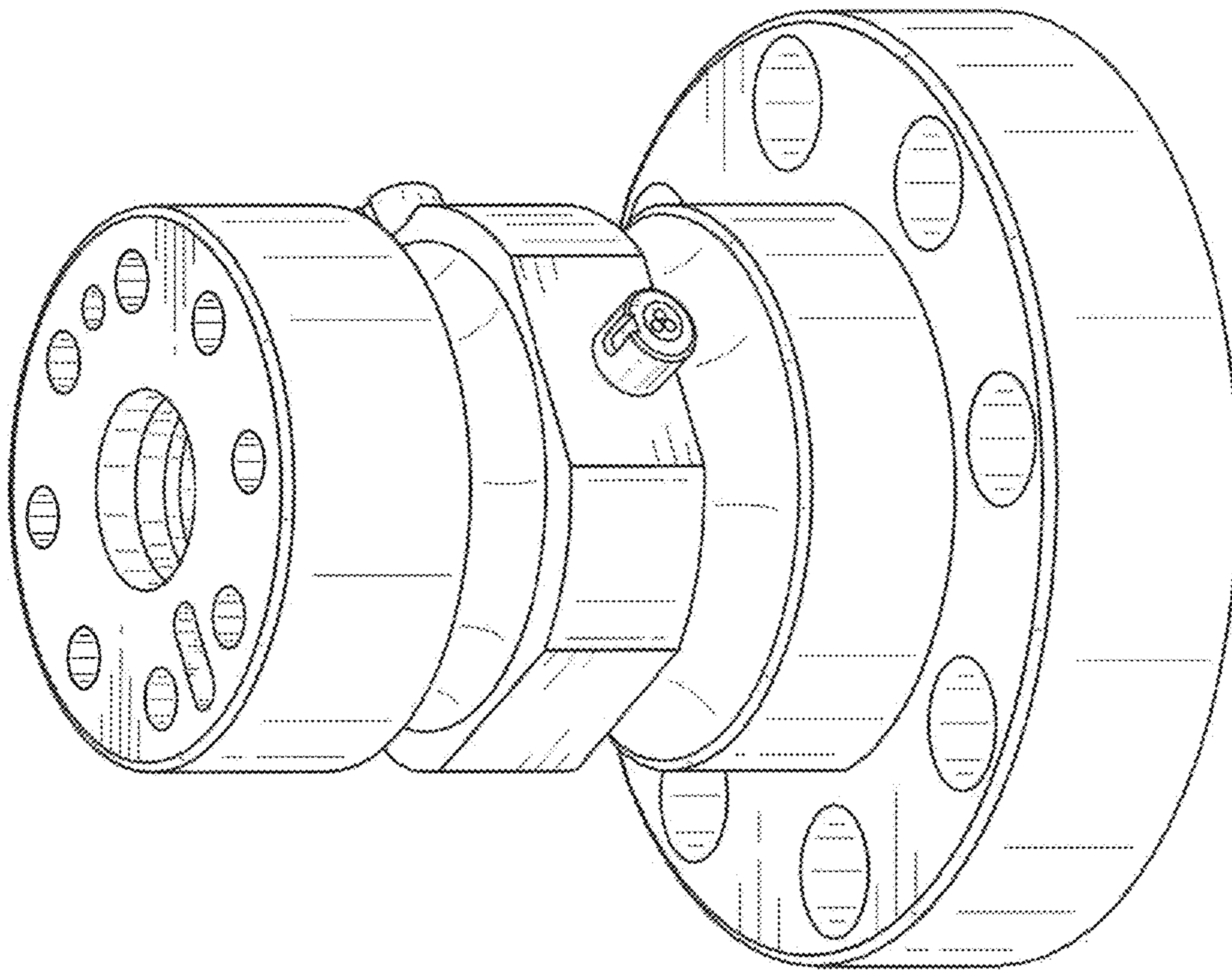


FIG. 13

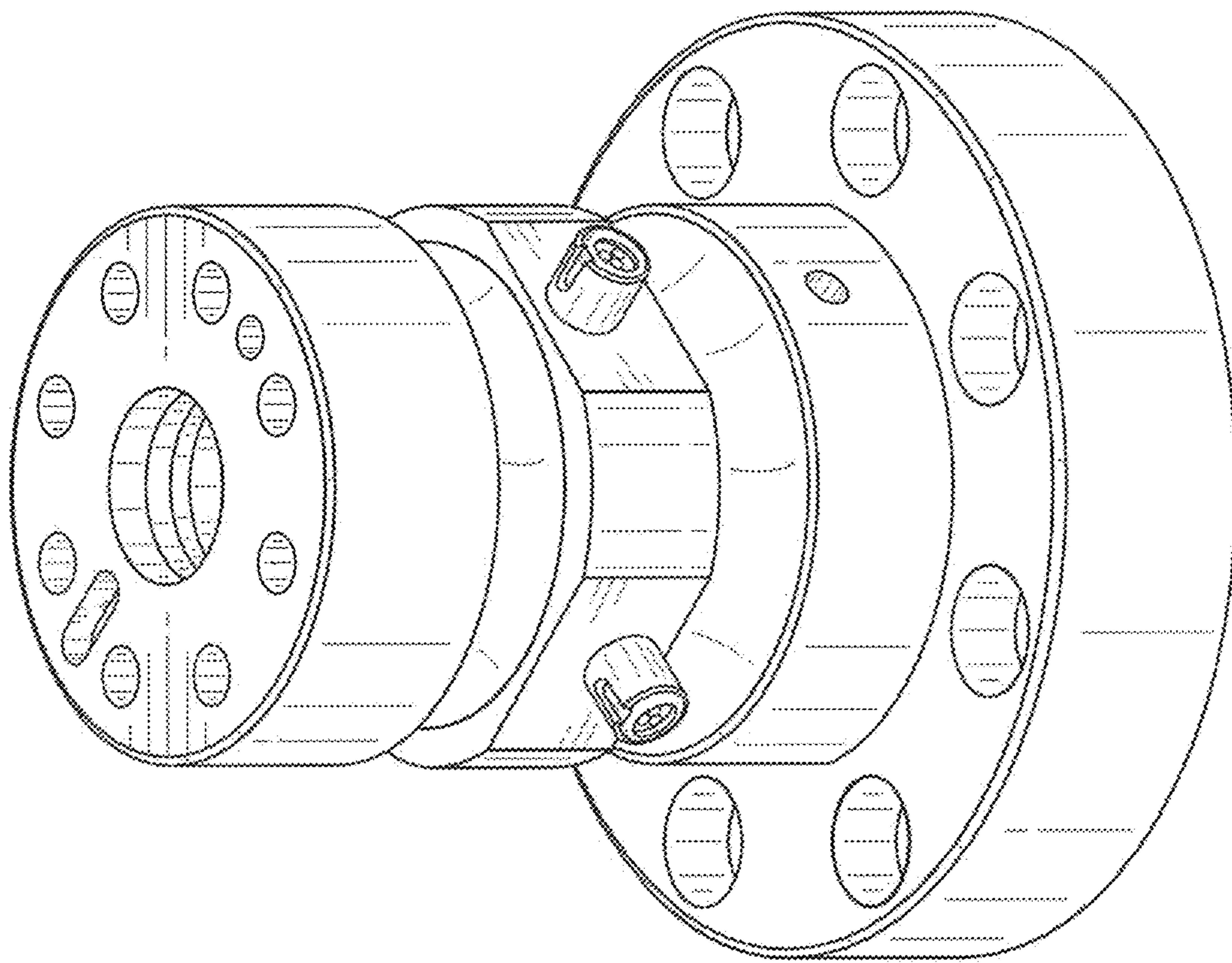


FIG. 14