



US00D874300S

(12) **United States Design Patent** (10) **Patent No.:** **US D874,300 S**
Xie et al. (45) **Date of Patent:** **** Feb. 4, 2020**

(54) **WATCH**

(71) Applicant: **Mobvoi Information Technology Company Limited, Beijing (CN)**

(72) Inventors: **Ke Xie, Beijing (CN); Jing Gu, Beijing (CN)**

(73) Assignee: **Mobvoi Information Technology Company Limited, Beijing (CN)**

(**) Term: **15 Years**

(21) Appl. No.: **29/623,725**

(22) Filed: **Oct. 26, 2017**

(30) **Foreign Application Priority Data**

Sep. 4, 2017 (CN) 2017 3 0415746

(51) **LOC (12) Cl.** **10-02**

(52) **U.S. Cl.**
USPC **D10/38; D14/344**

(58) **Field of Classification Search**
USPC D10/1-2, 10, 30-33, 36-39, 98-99,
D10/122-124, 126-128, 132; D11/3;
D14/344; D24/167, 186
CPC G04B 19/00; G04B 19/04; G04B 19/06;
G04B 19/065; G04B 19/08; G04B
19/085; G04B 19/10; G04B 19/103;
G04B 19/106; G04B 47/042; G04B
47/048; G04B 19/12; G04B 19/18; G04B
19/223; G04B 19/22; G04B 19/283;
G04B 37/00; G04B 37/0008; G04B
37/0058; G04B 37/04; G04B 37/0418;
G04B 45/0061; G04B 45/0069; G04B
19/26; G04B 19/264; G04D 3/04; A44C
5/00; A44C 5/0053; G04C 19/00; G04C
19/02; G04C 3/001; G04F 1/00; G04F
3/00; G04F 3/02; G04G 17/00; G04G
17/005; G04G 17/02-04; G04G 17/08

See application file for complete search history.

(56) **References Cited**

U.S. PATENT DOCUMENTS

D462,623	S	*	9/2002	Fujihara	D10/30
D477,235	S	*	7/2003	El Kadiri	D10/30
D725,493	S	*	3/2015	Rimanelli	D10/30
D743,282	S	*	11/2015	Park	D10/30
D749,431	S	*	2/2016	Babcock	D10/30
D767,411	S	*	9/2016	Rabassa	D10/30
D773,944	S	*	12/2016	Wang	D10/30
9,760,064	B2	*	9/2017	Kim	G04G 21/00
D807,351	S	*	1/2018	Bang	D14/344
D809,938	S	*	2/2018	Hou	D10/30

(Continued)

OTHER PUBLICATIONS

Ticwatch S E by Mobvoi | posted at kickstarter.com Jul. 11, 2017
© 2018 Kickstarter, PBC [online][site visited Sep. 20, 2018].
Available from internet: <https://www.kickstarter.com/projects/mobvoi/ticwatch-s-and-e-a-truly-optimized-smartwatch?ref=nav_search&result=project&term=mobvoi> (Year: 2017).*

(Continued)

Primary Examiner — Sandra S Snapp
Assistant Examiner — Katherine Glennon
(74) *Attorney, Agent, or Firm* — Gokalp Bayramoglu

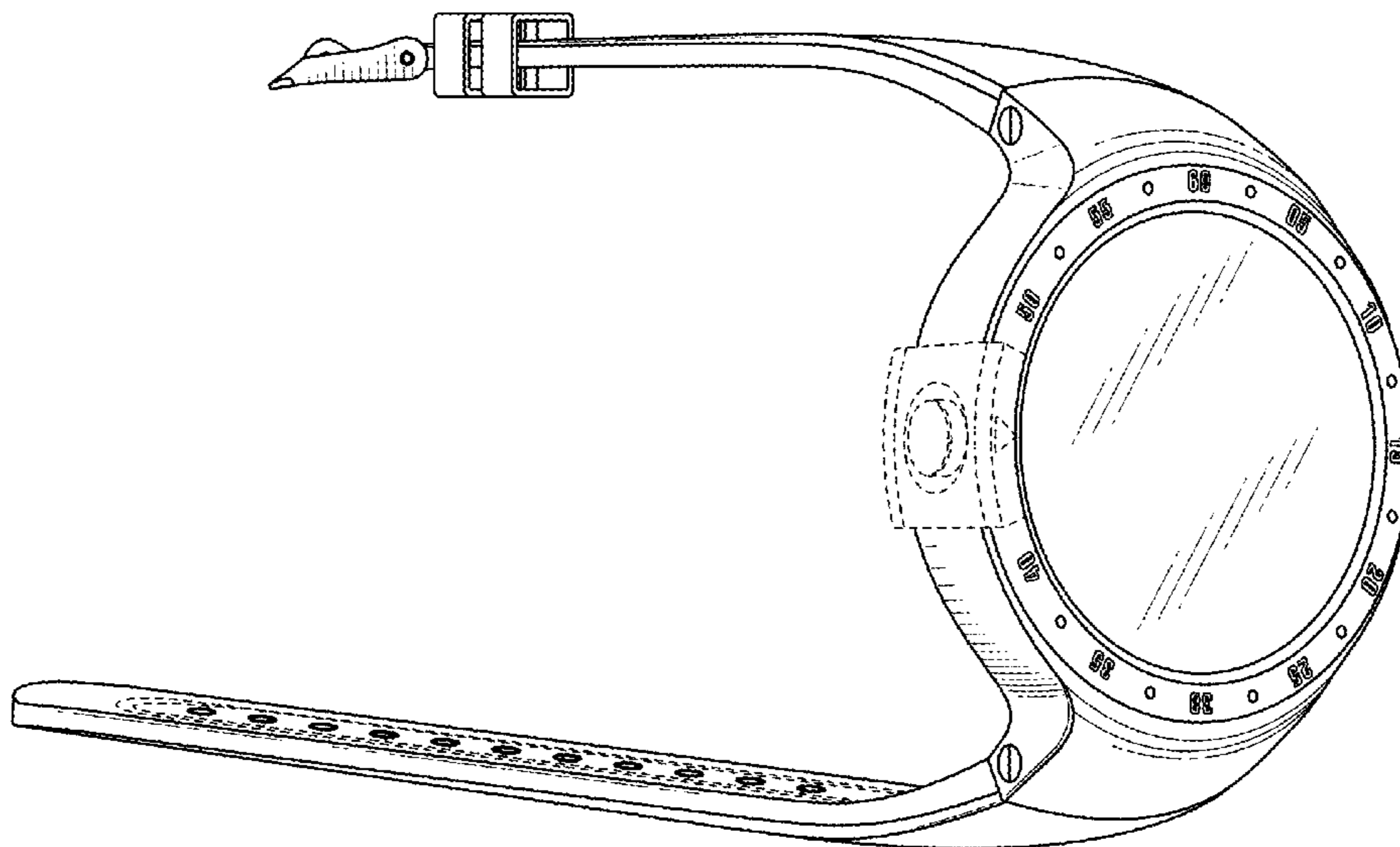
(57) **CLAIM**

The ornamental design for a watch, as shown and described.

DESCRIPTION

FIG. 1 is a front elevational view of a watch showing new design;
FIG. 2 is a rear elevational view thereof;
FIG. 3 is a left side elevational view thereof;
FIG. 4 is a right side elevational view thereof;
FIG. 5 is a top plan view thereof;
FIG. 6 is a bottom plan view thereof; and,
FIG. 7 is a perspective view thereof.

1 Claim, 5 Drawing Sheets



(56)

References Cited

U.S. PATENT DOCUMENTS

D815,090 S * 4/2018 Chan D14/344
D823,853 S * 7/2018 Yoshimoto D14/344
2018/0188925 A1* 7/2018 Na H04M 1/725

OTHER PUBLICATIONS

Mobvoi Ticwear 2 | posted at theverge.com Jul. 26, 2016 © 2018
Vox Media, Inc. [online][site visited Sep. 20, 2018]. Available from
internet: <<https://www.theverge.com/circuitbreaker/2016/7/26/12284296/ticwatch-2-smartwatch-android-kickstarter>> (Year: 2016).*

Mobvoi Ticwatch 2 | posted at theverge.com Jul. 11, 2017 © 2018
Vox Media, Inc. [online][site visited Sep. 20, 2018]. Available from
internet: <<https://www.theverge.com/circuitbreaker/2017/7/11/15952162/ticwatch-android-wear-smartwatch-kickstarter-mobvoi-price>> (Year: 2017).*

* cited by examiner

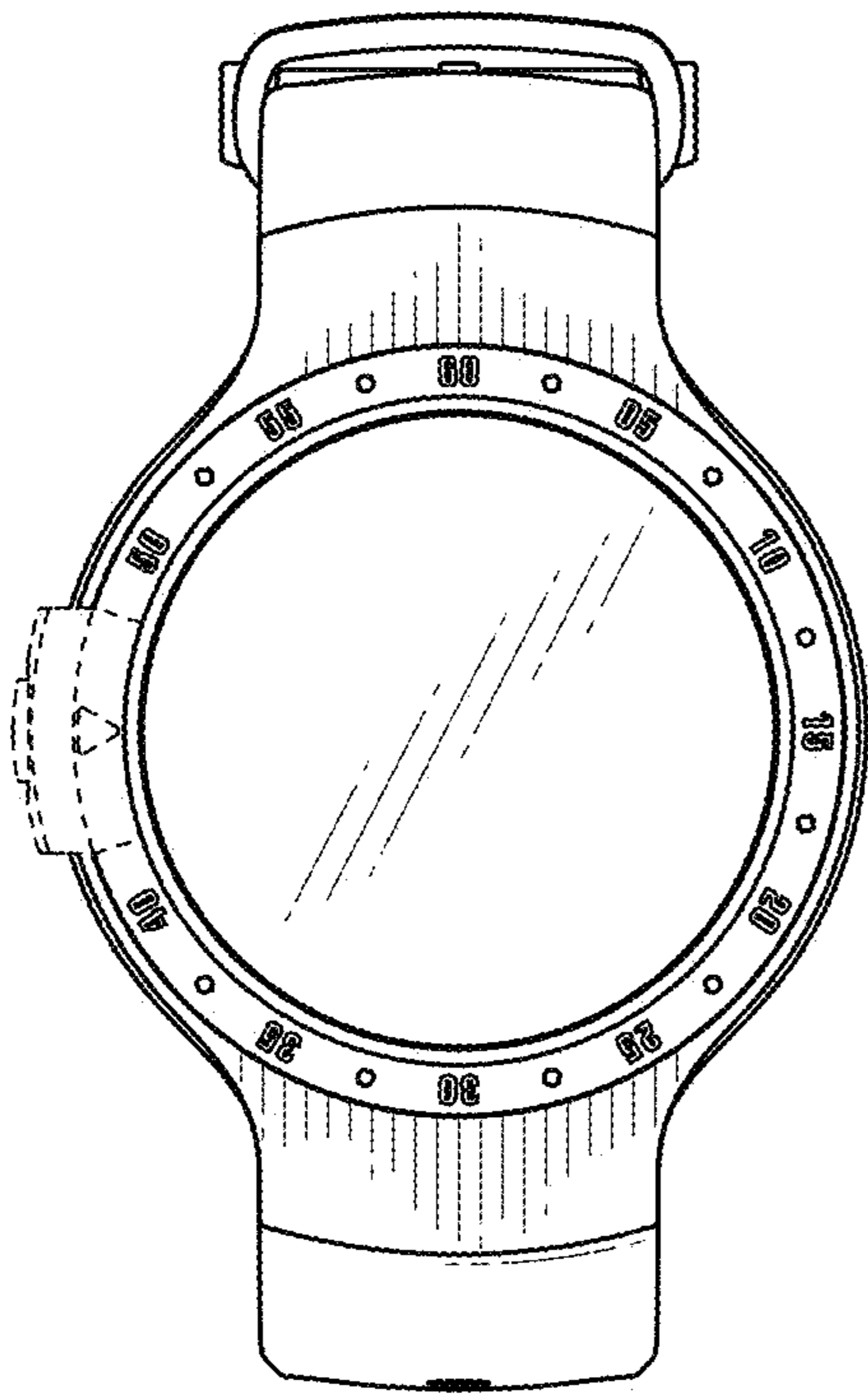


FIG. 1

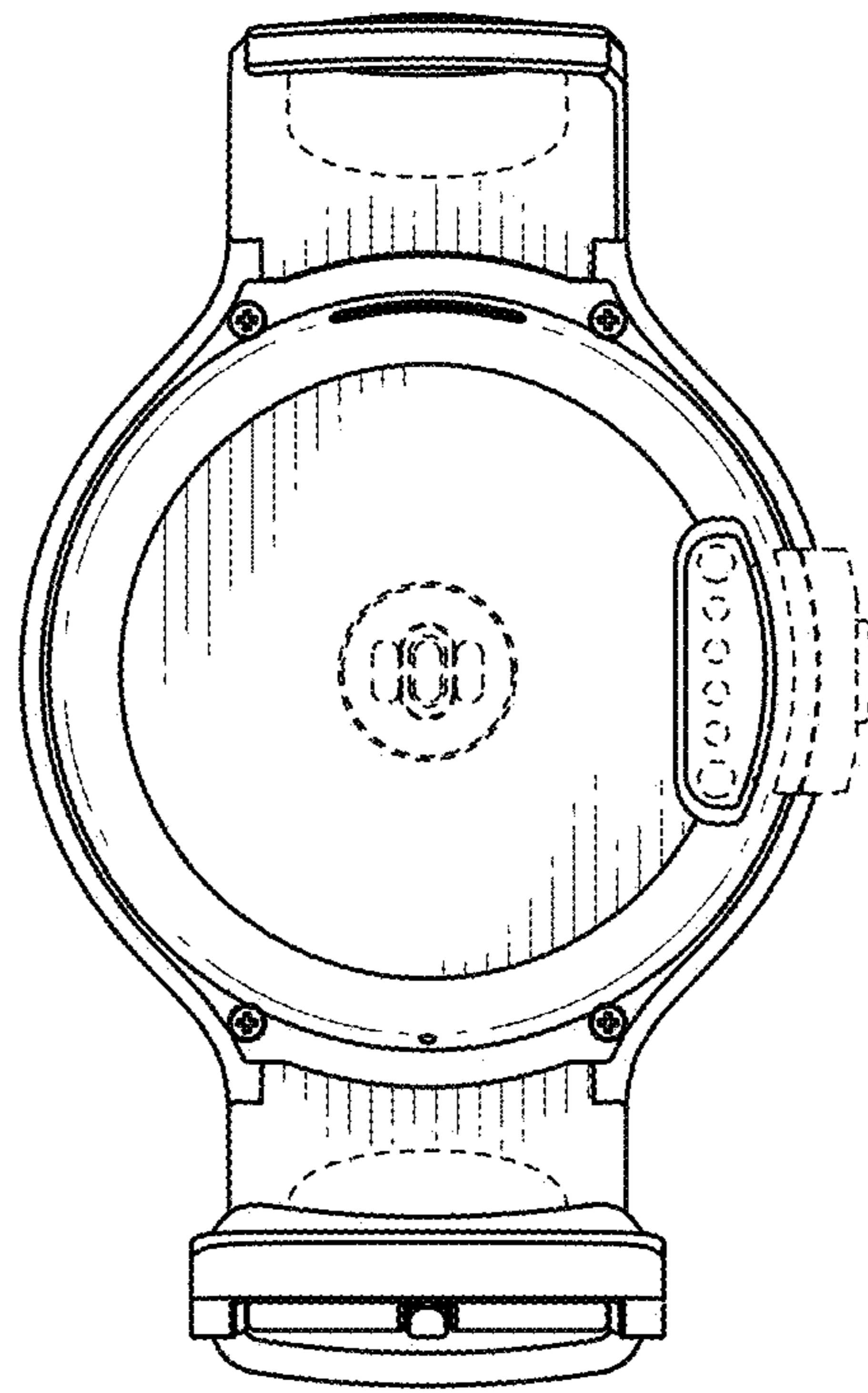


FIG. 2

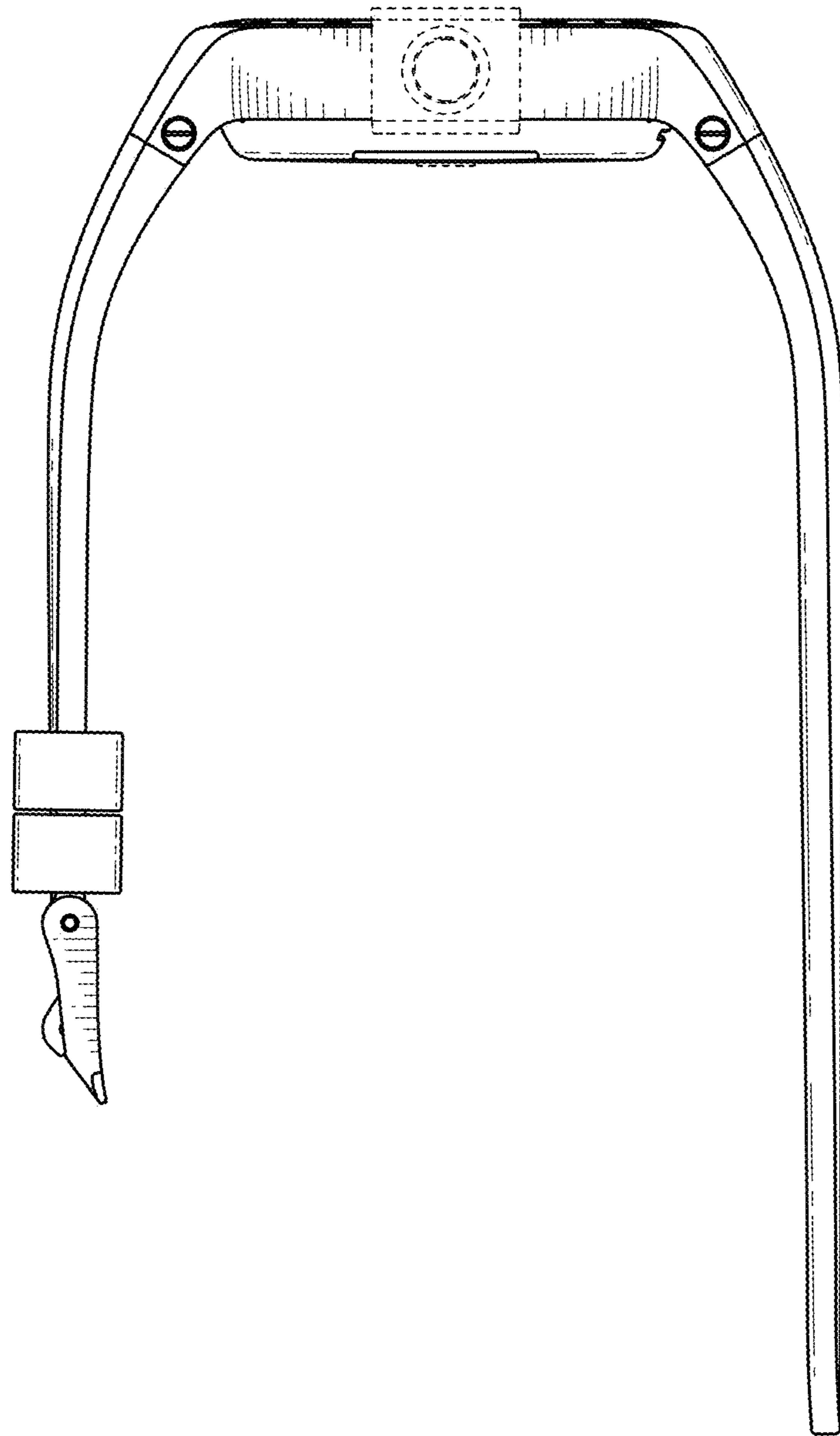


FIG. 3

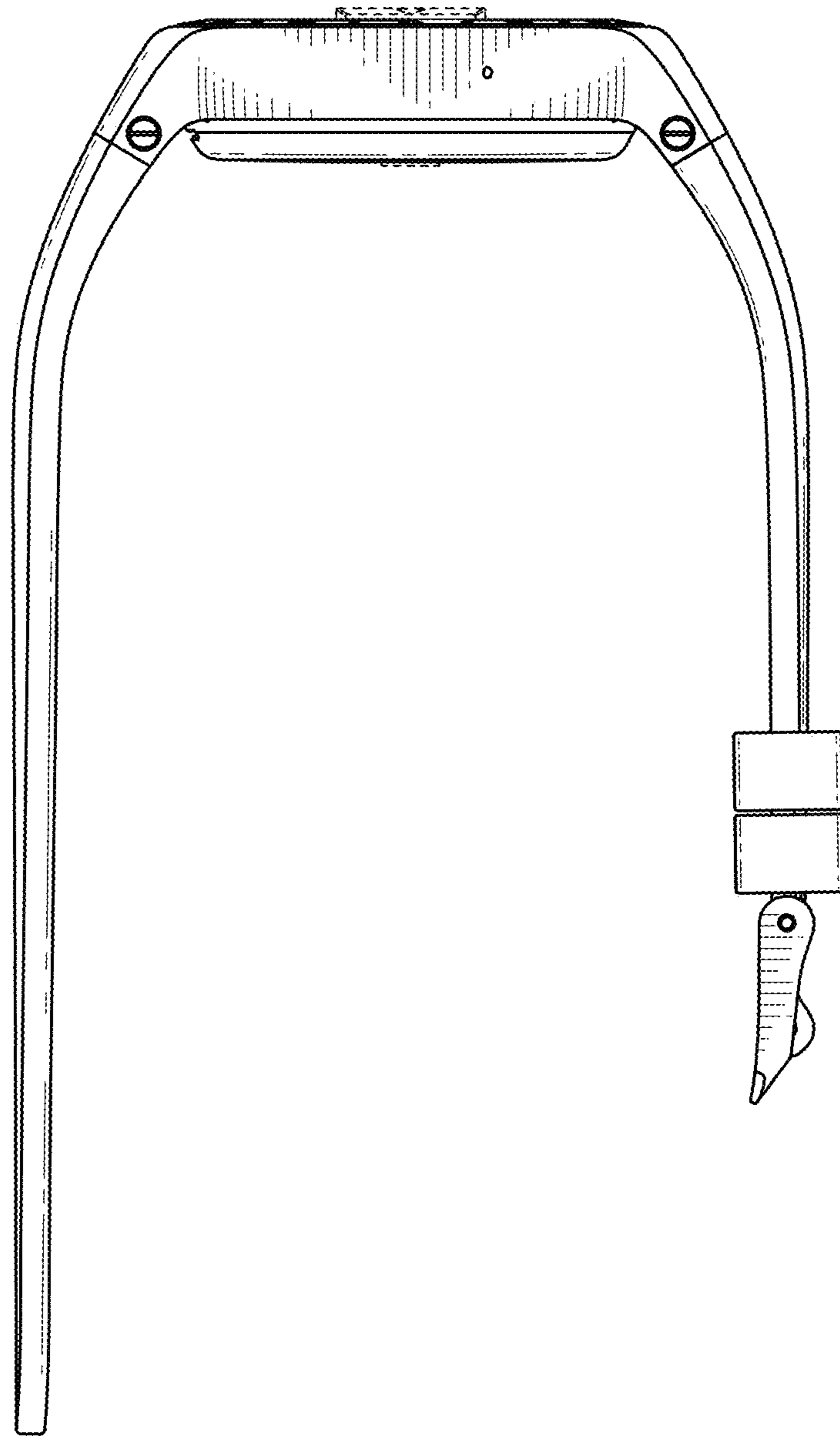


FIG. 4

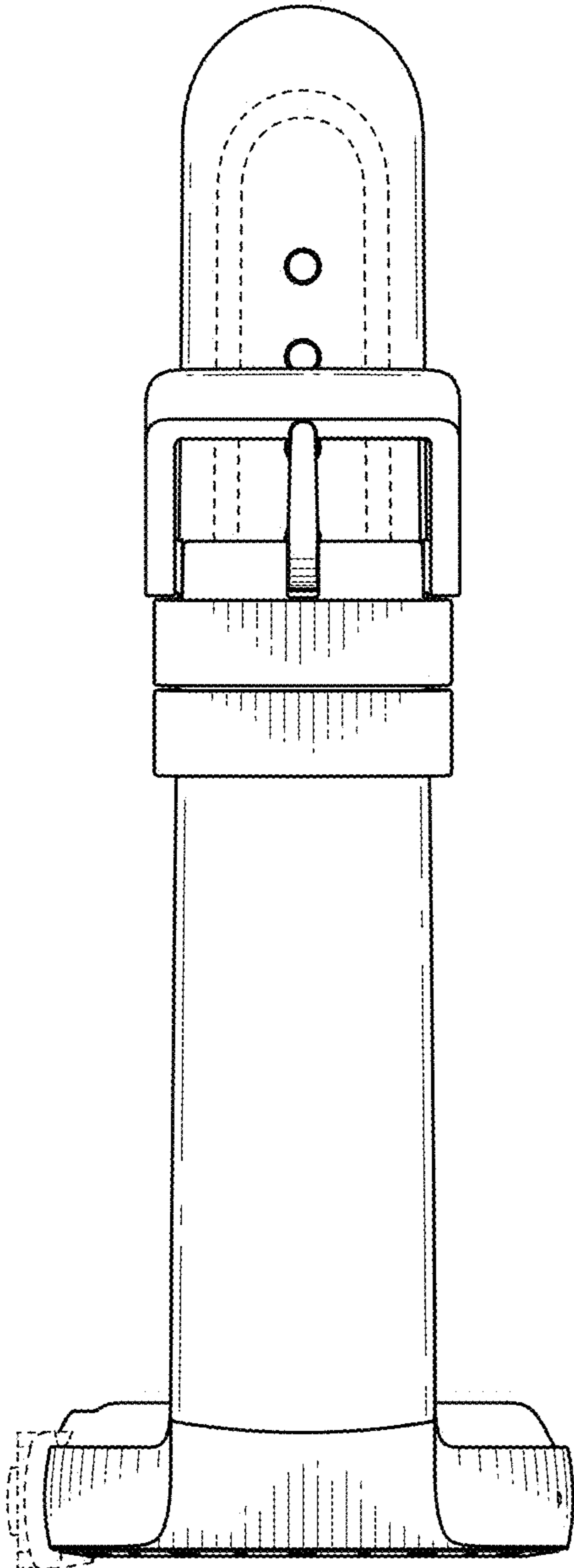


FIG. 5

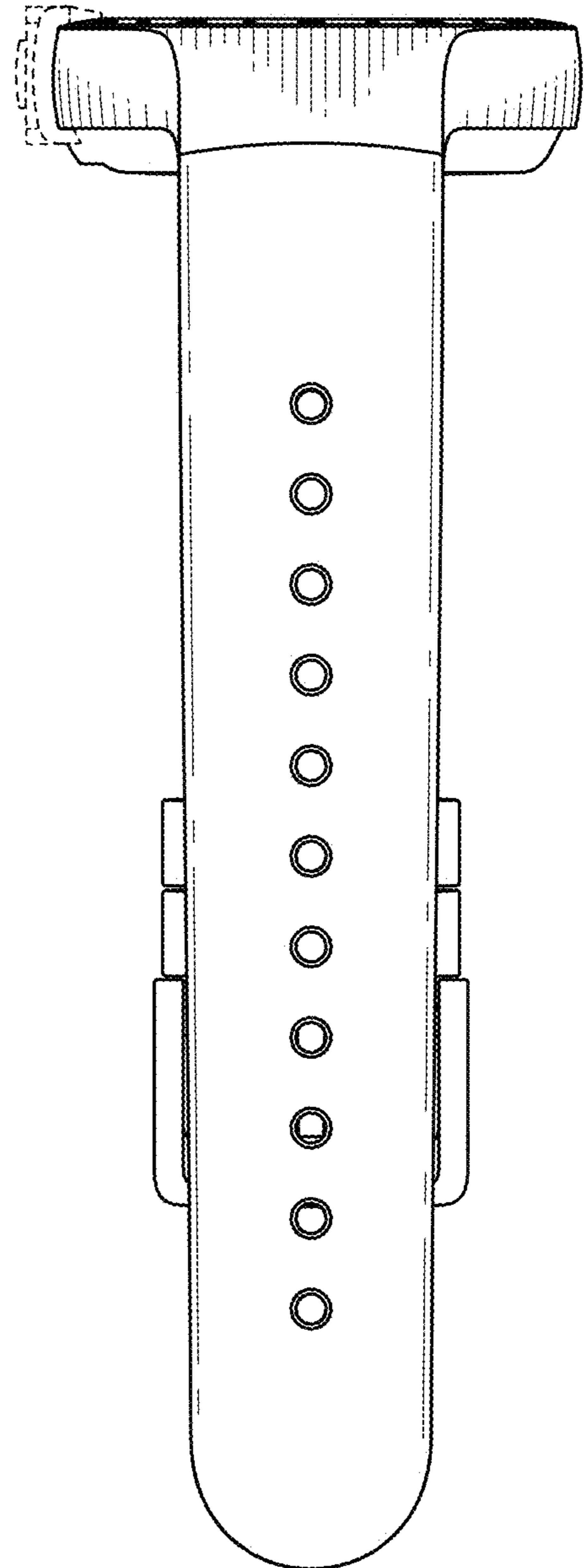


FIG. 6

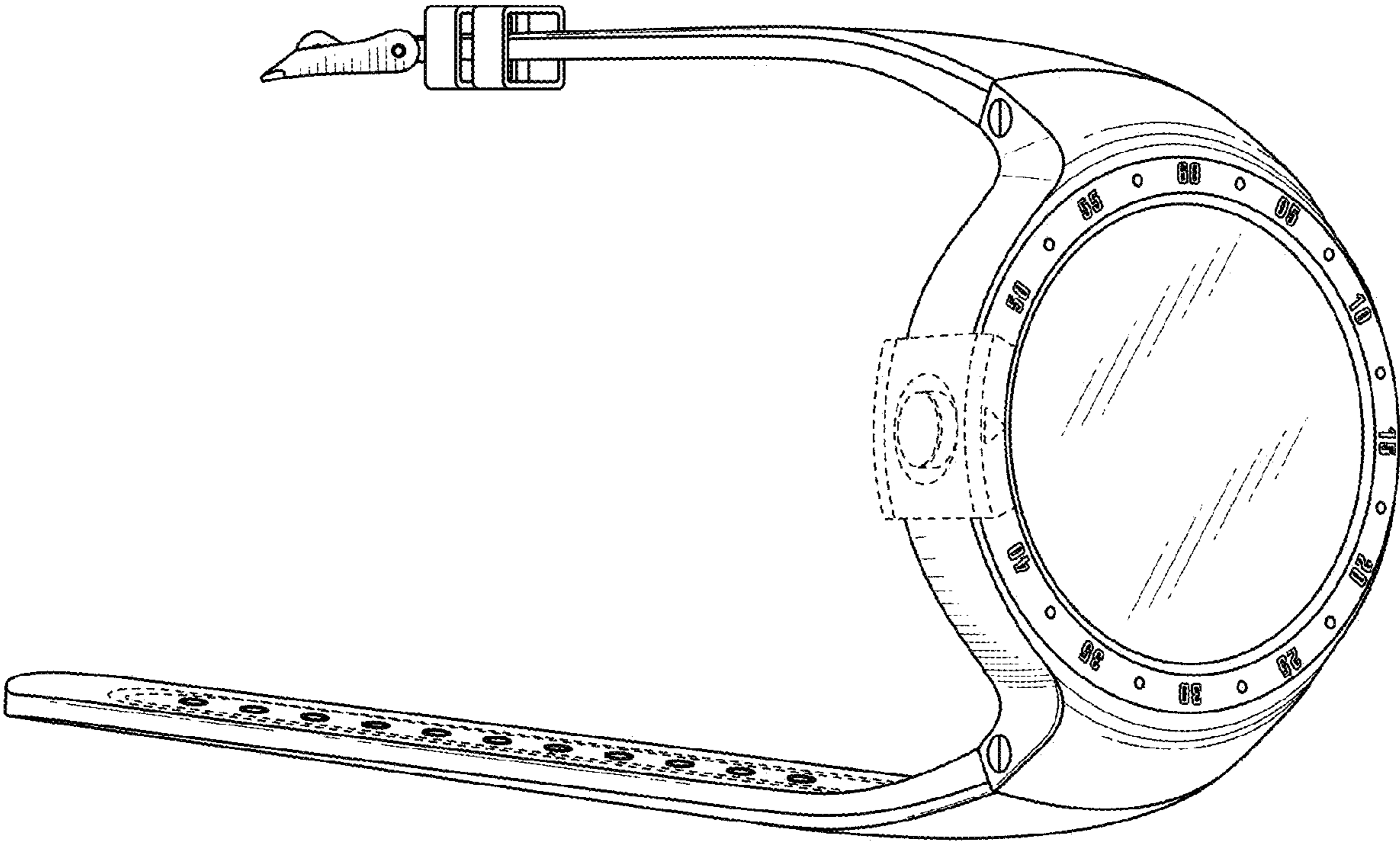


FIG. 7