

US00D874298S

(12) **United States Design Patent** (10) **Patent No.:** **US D874,298 S**
Xie et al. (45) **Date of Patent:** **** Feb. 4, 2020**

(54) **WATCH**

(71) Applicant: **Mobvoi Information Technology Company Limited, Beijing (CN)**
 (72) Inventors: **Ke Xie, Beijing (CN); Jing Gu, Beijing (CN)**
 (73) Assignee: **Mobvoi Information Technology Company Limited, Beijing (CN)**
 (**) Term: **15 Years**

(21) Appl. No.: **29/623,731**

(22) Filed: **Oct. 26, 2017**

(30) **Foreign Application Priority Data**

Sep. 4, 2017 (CN) 2017 3 0415745

(51) **LOC (12) Cl.** **10-02**

(52) **U.S. Cl.**
USPC **D10/32; D14/344**

(58) **Field of Classification Search**

USPC D10/1-2, 10, 30-33, 36-39, 98-99,
 D10/122-124, 126-128, 132; D11/3;
 D14/344; D24/167, 186
 CPC G04B 19/00; G04B 19/04; G04B 19/06;
 G04B 19/065; G04B 19/08; G04B
 19/085; G04B 19/10; G04B 19/103;
 G04B 19/106; G04B 47/042; G04B
 47/048; G04B 19/12; G04B 19/18; G04B
 19/223; G04B 19/22; G04B 19/283;
 G04B 37/00; G04B 37/0008; G04B
 37/0058; G04B 37/04; G04B 37/0418;
 G04B 45/0061; G04B 45/0069; G04B
 19/26; G04B 19/264; G04D 3/04; A44C
 5/00; A44C 5/0053; G04C 19/00; G04C
 19/02; G04C 3/001; G04F 1/00; G04F
 3/00; G04F 3/02; G04G 17/00; G04G
 17/005; G04G 17/02-04; G04G 17/08

See application file for complete search history.

(56) **References Cited**

U.S. PATENT DOCUMENTS

5,212,966 A * 5/1993 Minami A44C 5/0053
 2/338
 D407,342 S * 3/1999 Ishizaka D11/3
 D407,990 S * 4/1999 Akagi D11/3
 D462,623 S * 9/2002 Fujihara D10/30
 D477,235 S * 7/2003 El Kadiri D10/30
 D725,493 S * 3/2015 Rimanelli D10/30
 D743,282 S * 11/2015 Park D10/30
 D749,431 S * 2/2016 Babcock D10/30
 D767,411 S * 9/2016 Rabassa D10/30

(Continued)

OTHER PUBLICATIONS

Ticwatch S E by Mobvoi | posted at kickstarter.com Jul. 11, 2017
 © 2018 Kickstarter, PBC [online][site visited Sep. 20, 2018].
 Available from internet: <https://www.kickstarter.com/projects/mobvoi/ticwatch-s-and-e-a-truly-optimized-smartwatch?ref=nav_search&result=project&term=mobvoi> (Year: 2017).*

(Continued)

Primary Examiner — Sandra S Snapp
Assistant Examiner — Katherine Glennon
 (74) *Attorney, Agent, or Firm* — Gokalp Bayramoglu

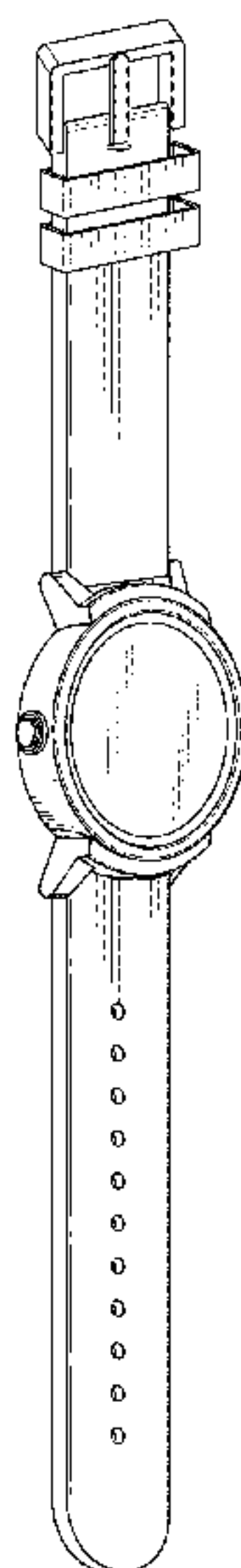
(57) **CLAIM**

The ornamental design for a watch, as shown and described.

DESCRIPTION

FIG. 1 is a front elevational view of a watch showing our new design;
 FIG. 2 is a rear elevational view thereof;
 FIG. 3 is a left side elevational view thereof;
 FIG. 4 is a right side elevational view thereof;
 FIG. 5 is a top plan view hereof;
 FIG. 6 is a bottom plan view thereof; and,
 FIG. 7 is a perspective view thereof.

1 Claim, 4 Drawing Sheets



(56)

References Cited

U.S. PATENT DOCUMENTS

D773,944 S * 12/2016 Wang D10/30
9,760,064 B2 * 9/2017 Kim G04G 21/00
D807,351 S * 1/2018 Bang D14/344
D809,938 S * 2/2018 Hou D10/30
D815,090 S * 4/2018 Chan D14/344
D823,853 S * 7/2018 Yoshimoto D14/344
2018/0188925 A1 * 7/2018 Na H04M 1/725

OTHER PUBLICATIONS

Mobvoi Ticwatch 2 | posted at theverge.com Jul. 11, 2017 © 2018
Vox Media, Inc. [online][site visited Sep. 20, 2018]. Available from
internet: <<https://www.theverge.com/circuitbreaker/2017/7/11/15952162/ticwatch-android-wear-smartwatch-kickstarter-mobvoi-price>> (Year: 2017).*

Mobvoi Ticwear 2 | posted at theverge.com Jul. 26, 2016 © 2018
Vox Media, Inc. [online][site visited Sep. 20, 2018]. Available from
internet: <<https://www.theverge.com/circuitbreaker/2016/7/26/12284296/ticwatch-2-smartwatch-android-kickstarter>> (Year: 2016).*

* cited by examiner

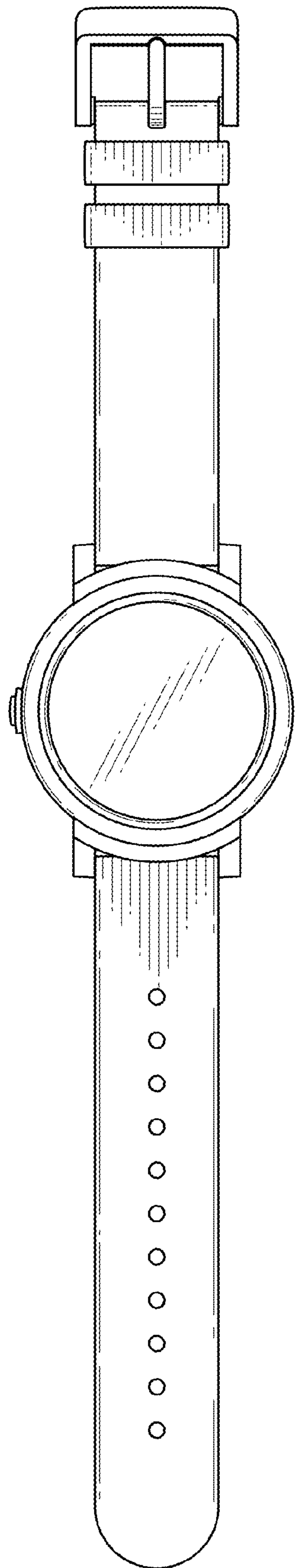


FIG. 1

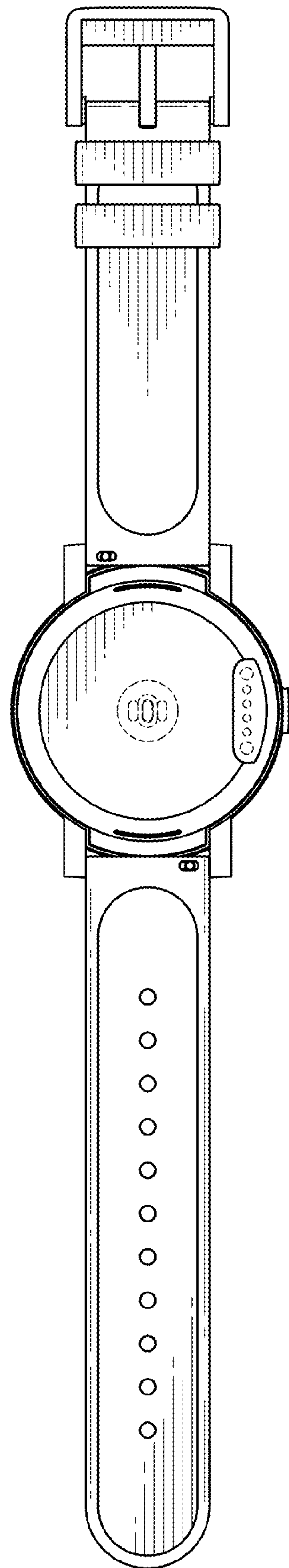


FIG. 2

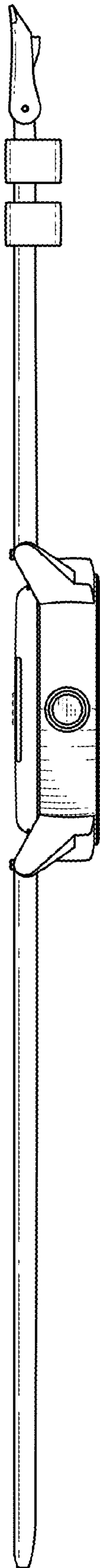


FIG. 3

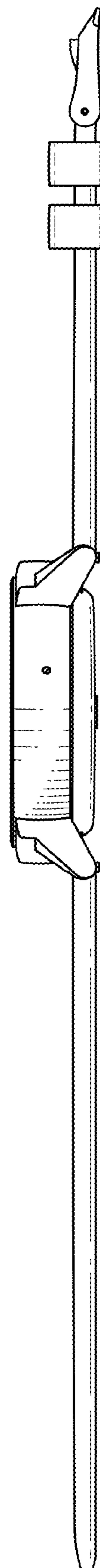


FIG. 4

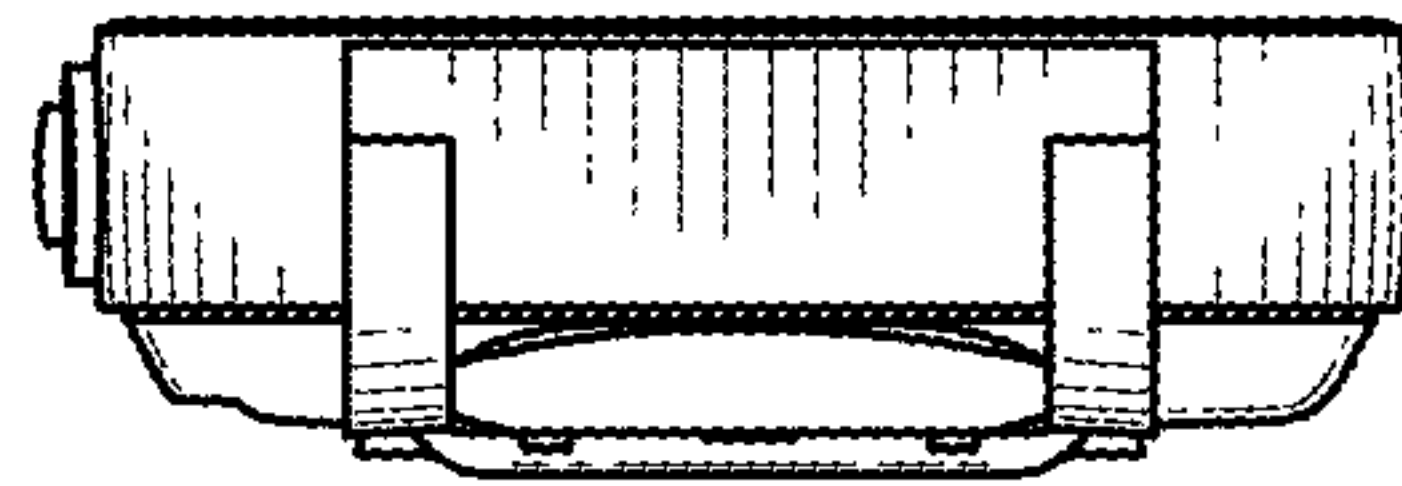


FIG. 5

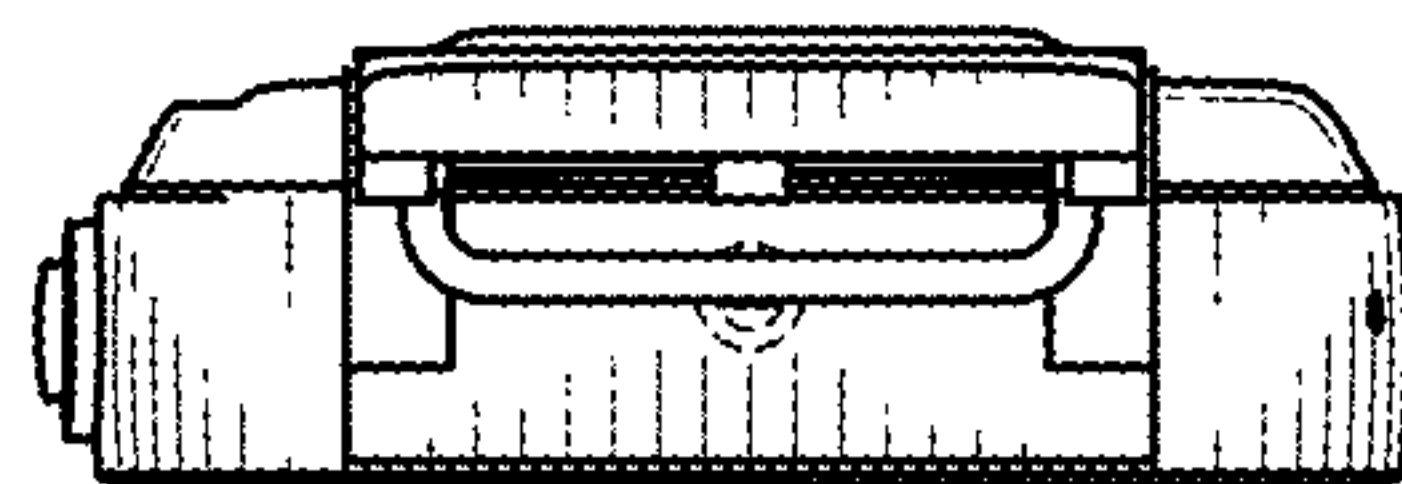


FIG. 6

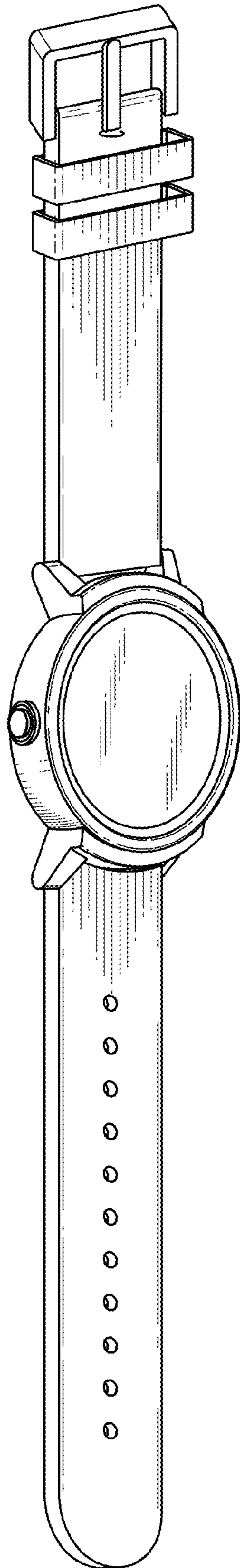


FIG. 7