



US00D874293S

(12) **United States Design Patent** (10) **Patent No.:** **US D874,293 S**
King (45) **Date of Patent:** **** Feb. 4, 2020**

(54) **PRODUCT PACKAGING**

B65D 33/00; B65D 33/28; B65D 33/30;
B65D 81/00; B65D 81/02; B65D 81/36
See application file for complete search history.

(71) Applicant: **Lock Right, LLC**, West Valley City,
UT (US)

(56) **References Cited**

(72) Inventor: **Creighton King**, Spanish Fork, UT
(US)

U.S. PATENT DOCUMENTS

(73) Assignee: **Lock Right, LLC**, West Valley City,
UT (US)

D647,408 S *	10/2011	Niemeyer	D9/702
D737,150 S *	8/2015	Tilahun	D9/707
D790,360 S *	6/2017	Down	D9/702
D843,848 S *	3/2019	Hyma	D9/707

(**) Term: **15 Years**

* cited by examiner

Primary Examiner — Abraham Bahta

(21) Appl. No.: **29/629,870**

(74) *Attorney, Agent, or Firm* — Durham Jones & Pinegar, P.C.

(22) Filed: **Dec. 15, 2017**

(57) **CLAIM**

The ornamental design for product packaging, as shown and described.

(51) **LOC (12) Cl.** **09-05**

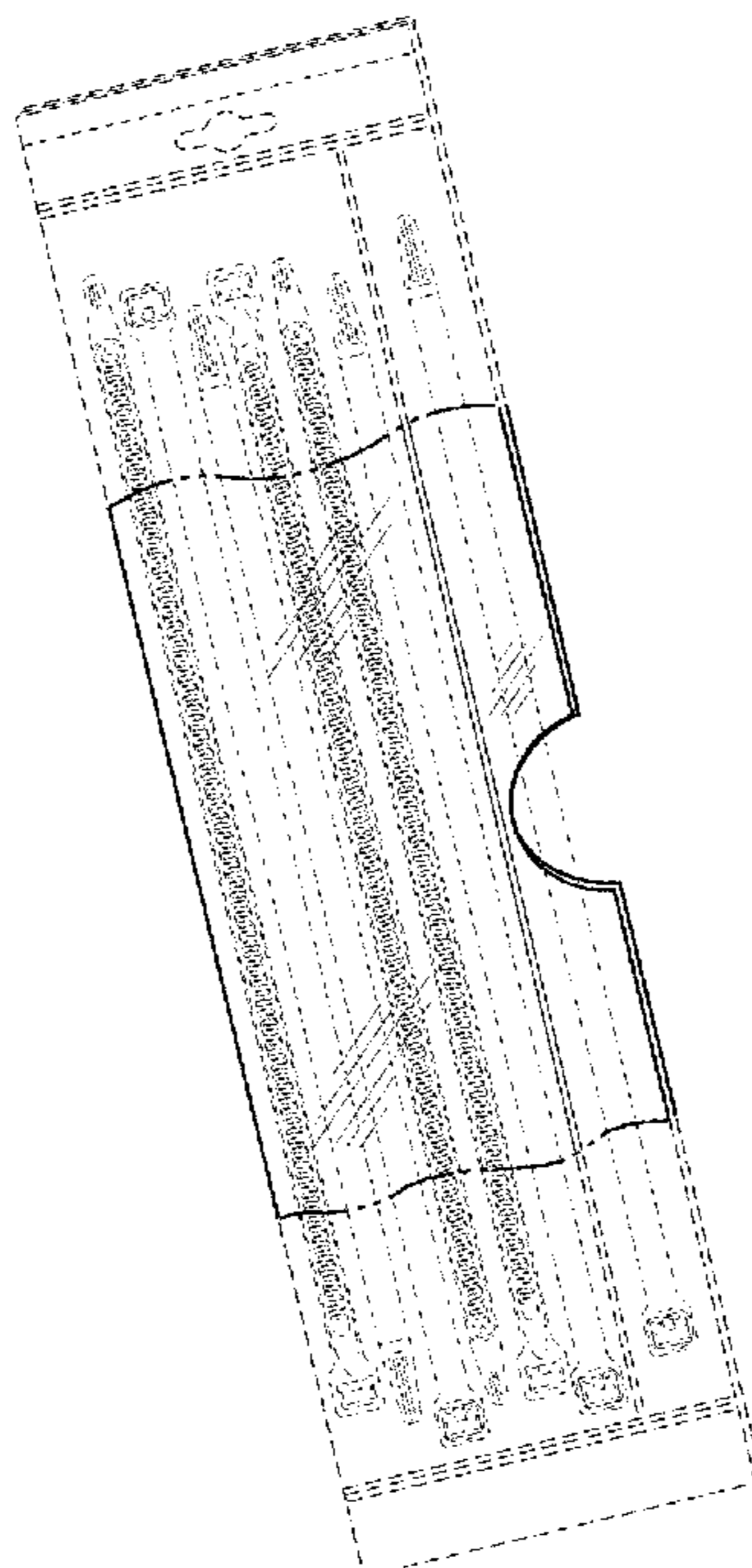
DESCRIPTION

(52) **U.S. Cl.**
USPC **D9/709**

(58) **Field of Classification Search**
USPC D9/702-714, 414-418, 434-435, 716,
D9/771, 447, 516-517, 738-747,
D9/520-521; D24/118, 207, 108; 383/6,
383/9, 22, 96, 61.1, 119-120, 123, 61.2;
220/675, 495.03; 215/381-385, 400, 328,
215/316; 206/484, 449, 308.3; D3/202;
222/92, 215, 95, 107; D11/131, 117;
D21/660
CPC B65D 65/02; B65D 65/10; B65D 65/38;

FIG. 1 is a perspective view of the product packaging with self-locking ties showing my new design;
FIG. 2 is a top view of the product packaging shown in FIG. 1;
FIG. 3 is a bottom view of the product packaging shown in FIG. 1;
FIG. 4 is a first side view of the product packaging shown in FIG. 1;
FIG. 5 is a second side view of the product packaging shown in FIG. 1;
FIG. 6 is a first end view of the product packaging shown in FIG. 1; and,
FIG. 7 is a second end view of the product packaging shown in FIG. 1.
Broken lines are used in the drawings to illustrate features that form no part of the claimed design.

1 Claim, 2 Drawing Sheets



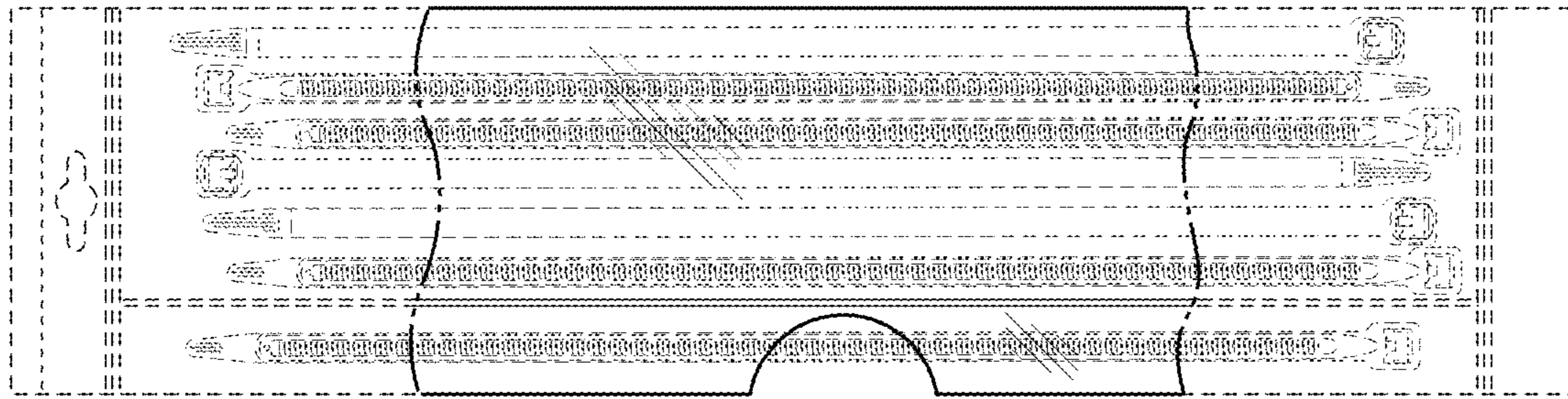


FIG. 3

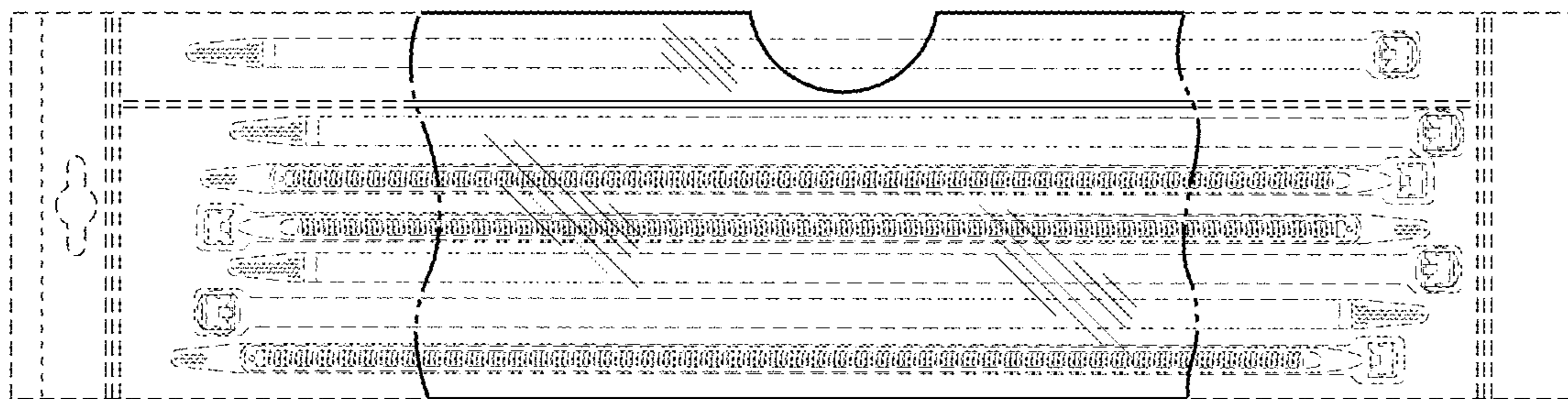


FIG. 2

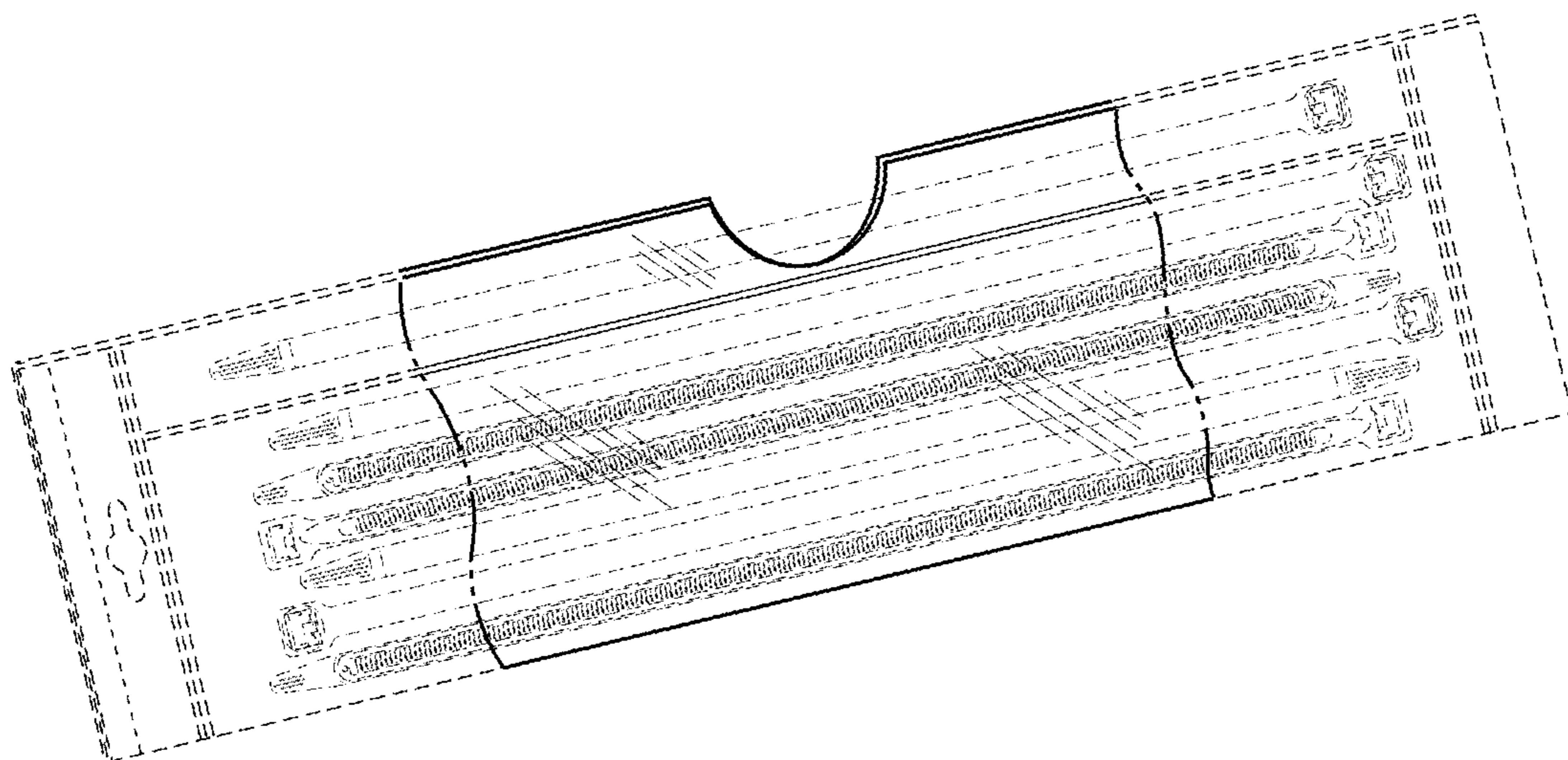


FIG. 1



FIG. 4

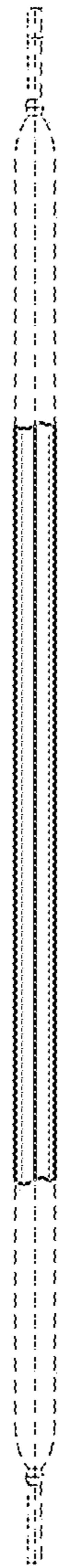


FIG. 5

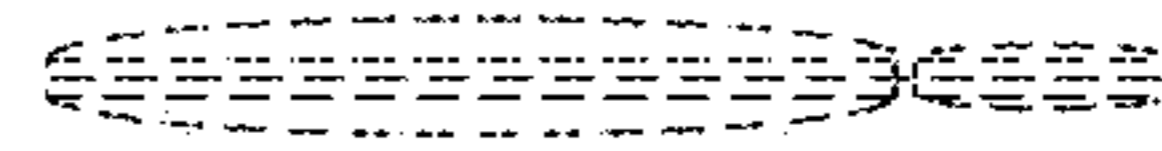


FIG. 6

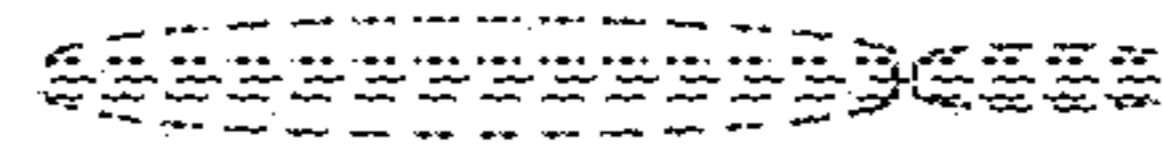


FIG. 7