



US00D874287S

(12) **United States Design Patent** (10) **Patent No.:** **US D874,287 S**
Yourist (45) **Date of Patent:** **** Feb. 4, 2020**

(54) **CONTAINER**

(71) Applicant: **Graham Packaging Company, L.P.**,
Lancaster, PA (US)

(72) Inventor: **Sheldon E. Yourist**, York, PA (US)

(73) Assignee: **GRAHAM PACKAGING
COMPANY, L.P.**, Lancaster, PA (US)

(**) Term: **15 Years**

(21) Appl. No.: **29/621,879**

(22) Filed: **Oct. 12, 2017**

(51) **LOC (12) Cl.** **09-01**

(52) **U.S. Cl.**
USPC **D9/539**; D9/428; D7/509

(58) **Field of Classification Search**
USPC D9/428, 516, 530, 537, 539, 549, 551,
D9/558, 571, 715, 719, 772, 779-780;
D7/300.1, 413, 509-511, 530, 602, 608,
D7/629; D24/197
CPC B65D 1/00; B65D 1/02; B65D 1/0223;
B65D 23/00; B65D 2501/00; B65D
2501/0009; A45F 3/16; A45F 3/18; A47G
19/22; A47G 19/2205

See application file for complete search history.

(56) **References Cited**

U.S. PATENT DOCUMENTS

D214,994 S * 8/1969 Goldman D9/520
D269,315 S * 6/1983 Conti D7/591
D368,220 S * 3/1996 Bicknell D9/529
D368,427 S * 4/1996 Bicknell D9/529
D408,221 S 4/1999 Asberg
D436,296 S 1/2001 Freed
D447,693 S 9/2001 Warner et al.
D456,218 S 4/2002 Hatsumoto
D486,996 S 2/2004 Karp
D501,638 S * 2/2005 Hutter D9/569
D502,844 S 3/2005 Rohe

D561,590 S 2/2008 Kingsley
D582,212 S 12/2008 Trombly
D620,316 S 7/2010 McKinney
7,810,651 B2 10/2010 Miga, Jr.
D638,709 S * 5/2011 Yourist D9/500
D642,470 S 8/2011 Yourist
D646,919 S * 10/2011 Nilsson B65D 47/148
D7/300.1

(Continued)

OTHER PUBLICATIONS

U.S. Appl. No. 29/628,613, filed Dec. 6, 2017.

(Continued)

Primary Examiner — Dana Meyrow

(74) *Attorney, Agent, or Firm* — Baker Botts L.L.P.

(57) **CLAIM**

The ornamental design for a container, as shown and described.

DESCRIPTION

FIG. 1 is a bottom right perspective view of an embodiment of a container with an attached container lid shown in broken lines.

FIG. 2 is a top right perspective view of the container of FIG. 1.

FIG. 3 is a front view of the container of FIG. 1.

FIG. 4 is a rear view of the container of FIG. 1.

FIG. 5 is a right view of the container of FIG. 1.

FIG. 6 is a left view of the container of FIG. 1.

FIG. 7 is a top view of the container of FIG. 1.

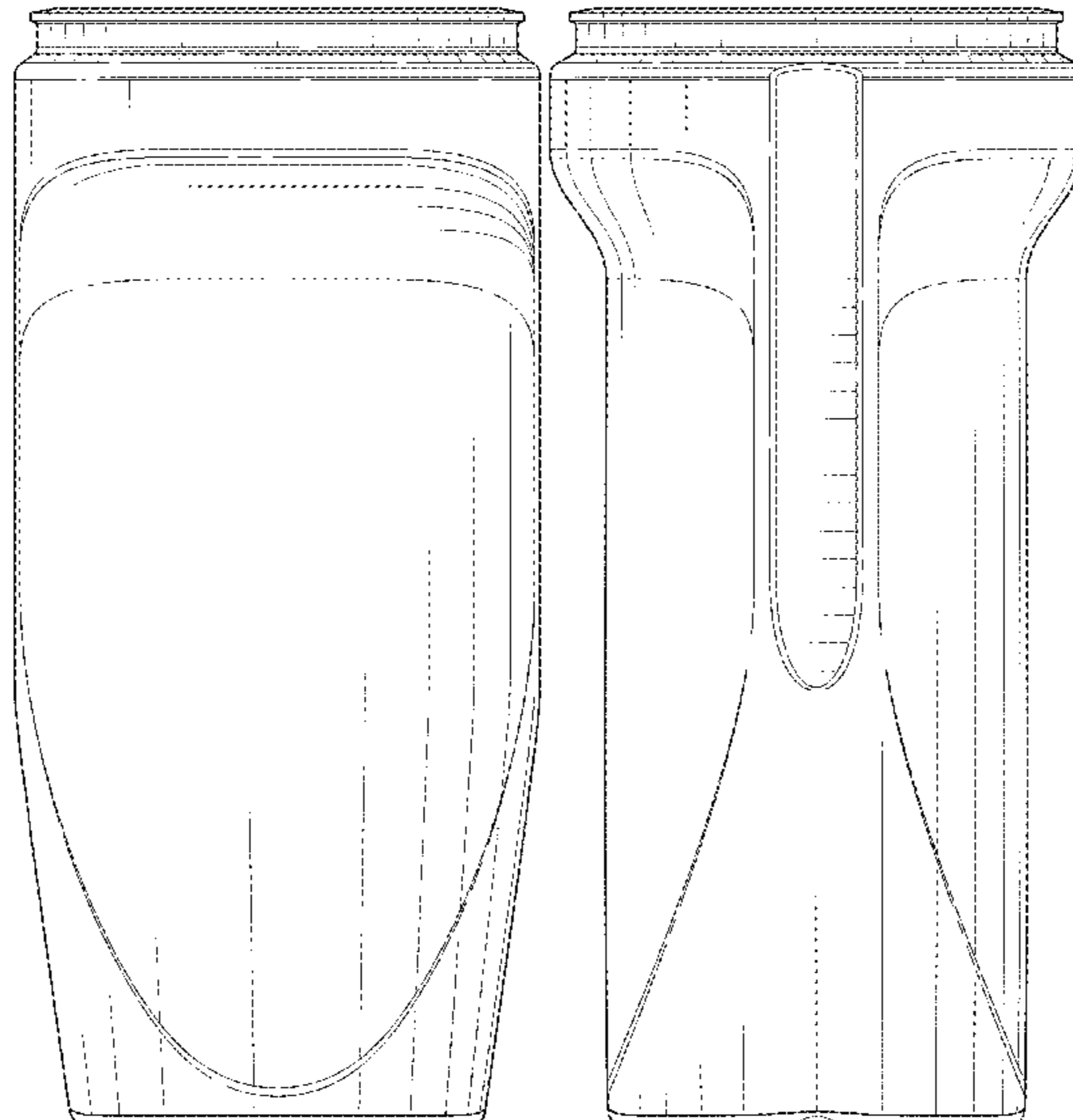
FIG. 8 is a bottom view of the container of FIG. 1.

FIG. 9 is a top right view of an alternative embodiment of the container of FIG. 1; and,

FIG. 10 is a right view of the container of FIG. 9.

The broken lines are shown to indicate unclaimed portions of the container and form no part of the claimed design.

1 Claim, 9 Drawing Sheets



(56)

References Cited

U.S. PATENT DOCUMENTS

D672,618	S	12/2012	Stamper et al.	
D673,010	S	12/2012	Stamper et al.	
D674,279	S	1/2013	Lembke et al.	
D697,798	S	1/2014	Sorensen et al.	
D702,086	S	4/2014	Thurlow	
D717,608	S	11/2014	Lin	
D723,332	S	3/2015	Steel	
D727,097	S	4/2015	Sorensen et al.	
D729,582	S	5/2015	Lapsker	
D732,339	S	6/2015	Sorensen et al.	
D733,497	S	7/2015	Sorensen et al.	
D782,320	S	3/2017	Juna	
D789,796	S *	6/2017	McSweeney	D9/530
D792,742	S	7/2017	Meyers et al.	
D793,227	S	8/2017	Maskell	
D808,722	S	1/2018	Hill	
D814,240	S	4/2018	Kabalin	
D836,985	S *	1/2019	Otto	D7/510
2017/0225850	A1	8/2017	Sorensen et al.	

OTHER PUBLICATIONS

U.S. Appl. No. 29/628,615, filed Dec. 6, 2017.
U.S. Appl. No. 29/621,875, filed Oct. 12, 2017.
U.S. Appl. No. 29/621,870, filed Oct. 12, 2017.

* cited by examiner

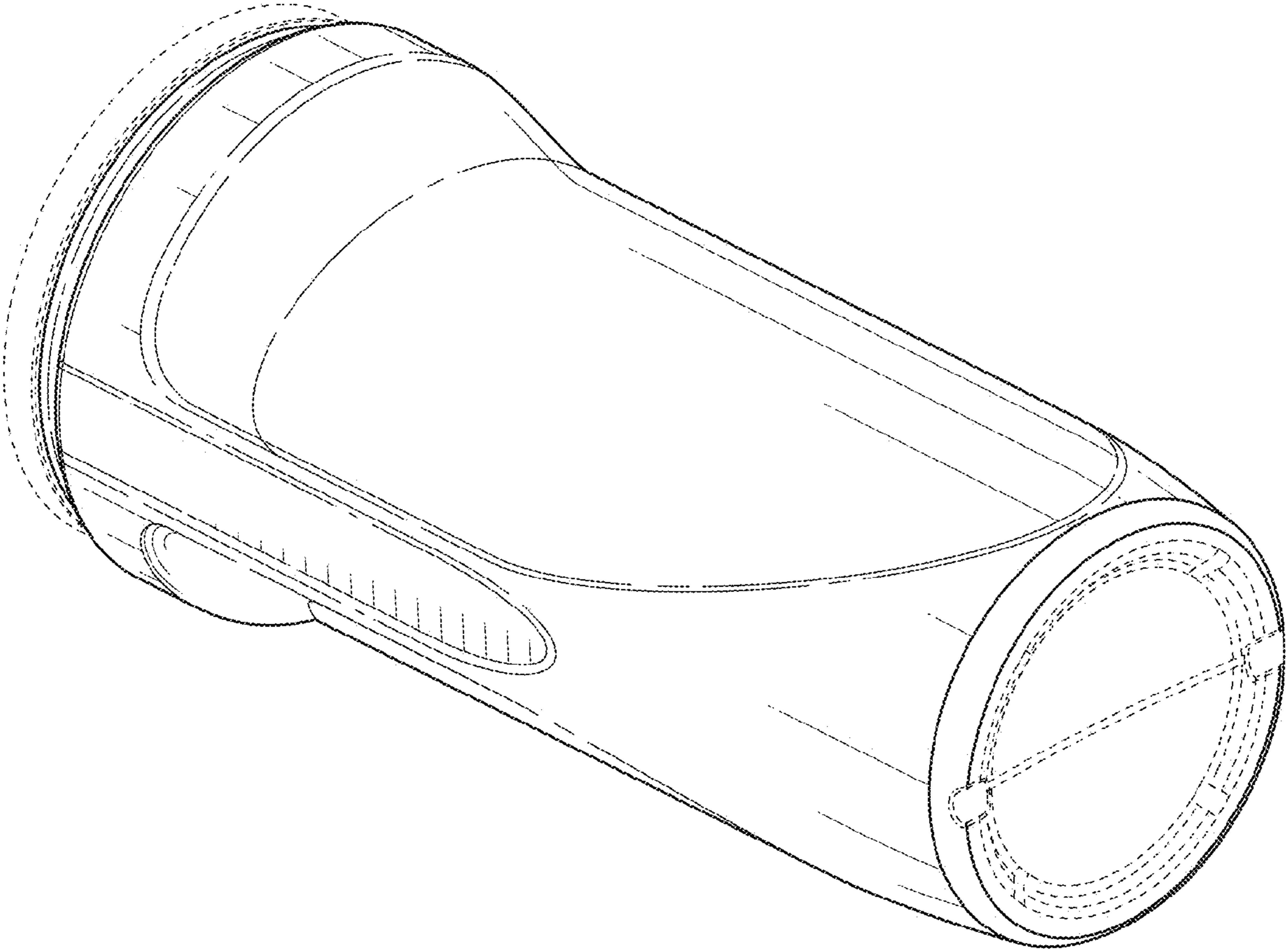


FIG. 1

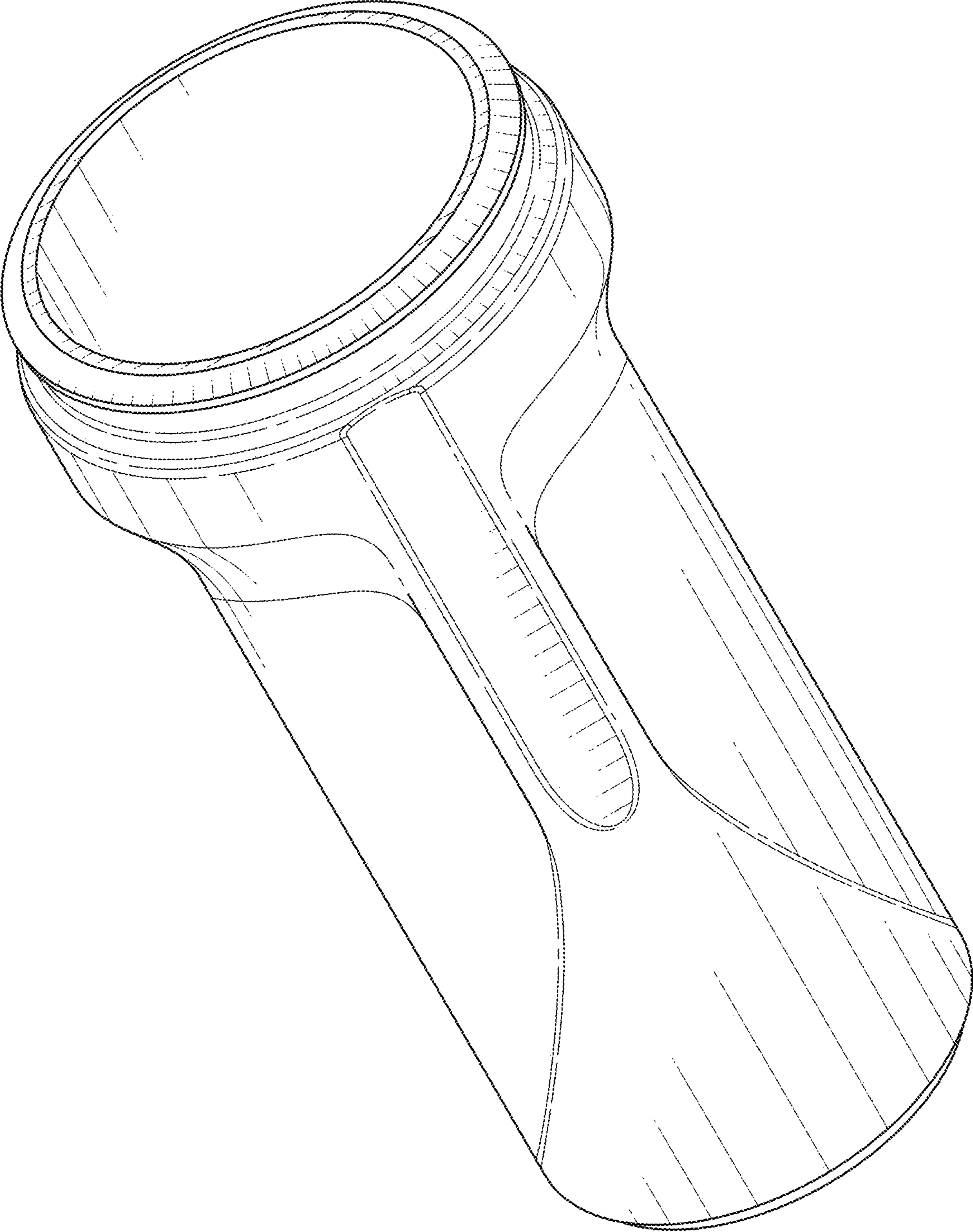


FIG. 2

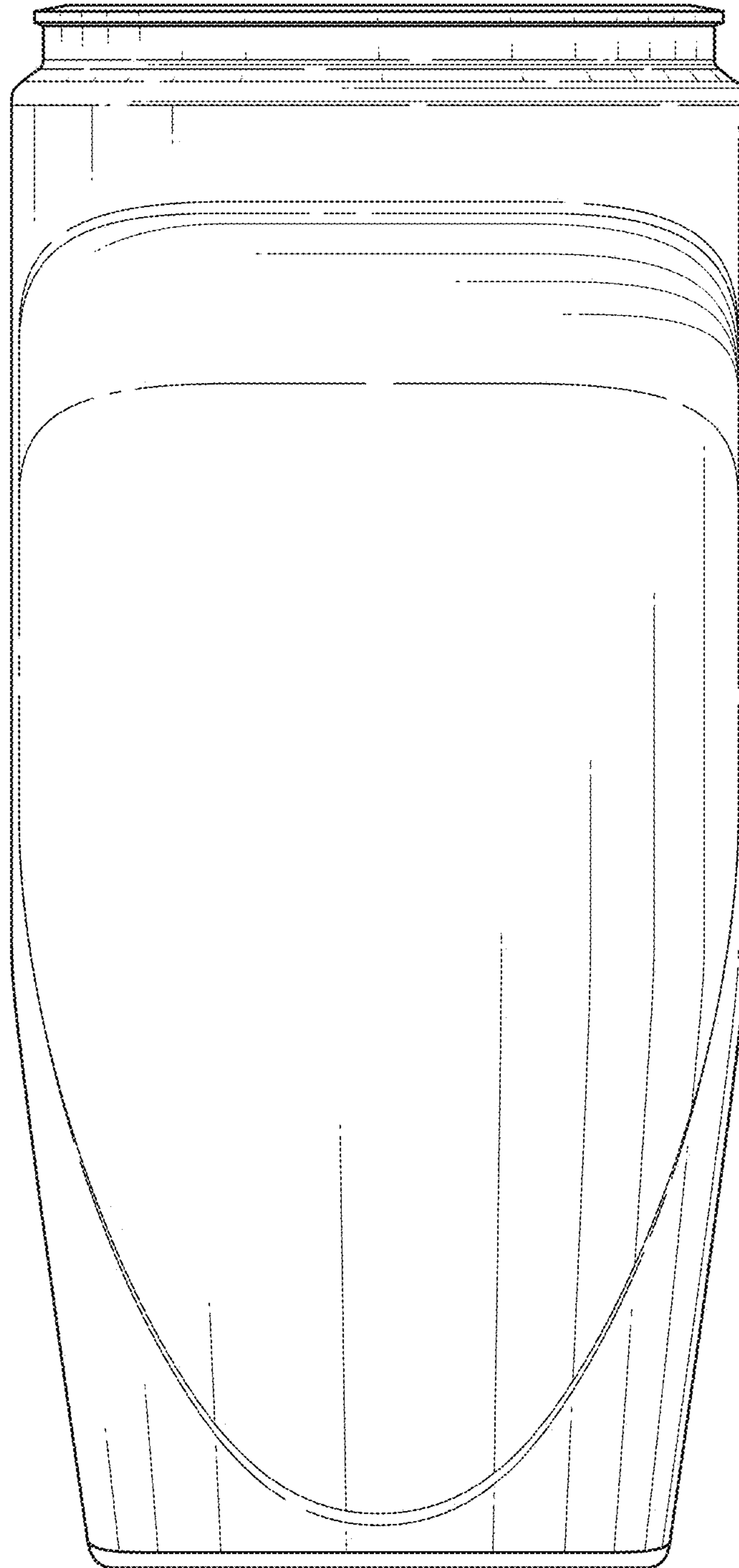


FIG. 3

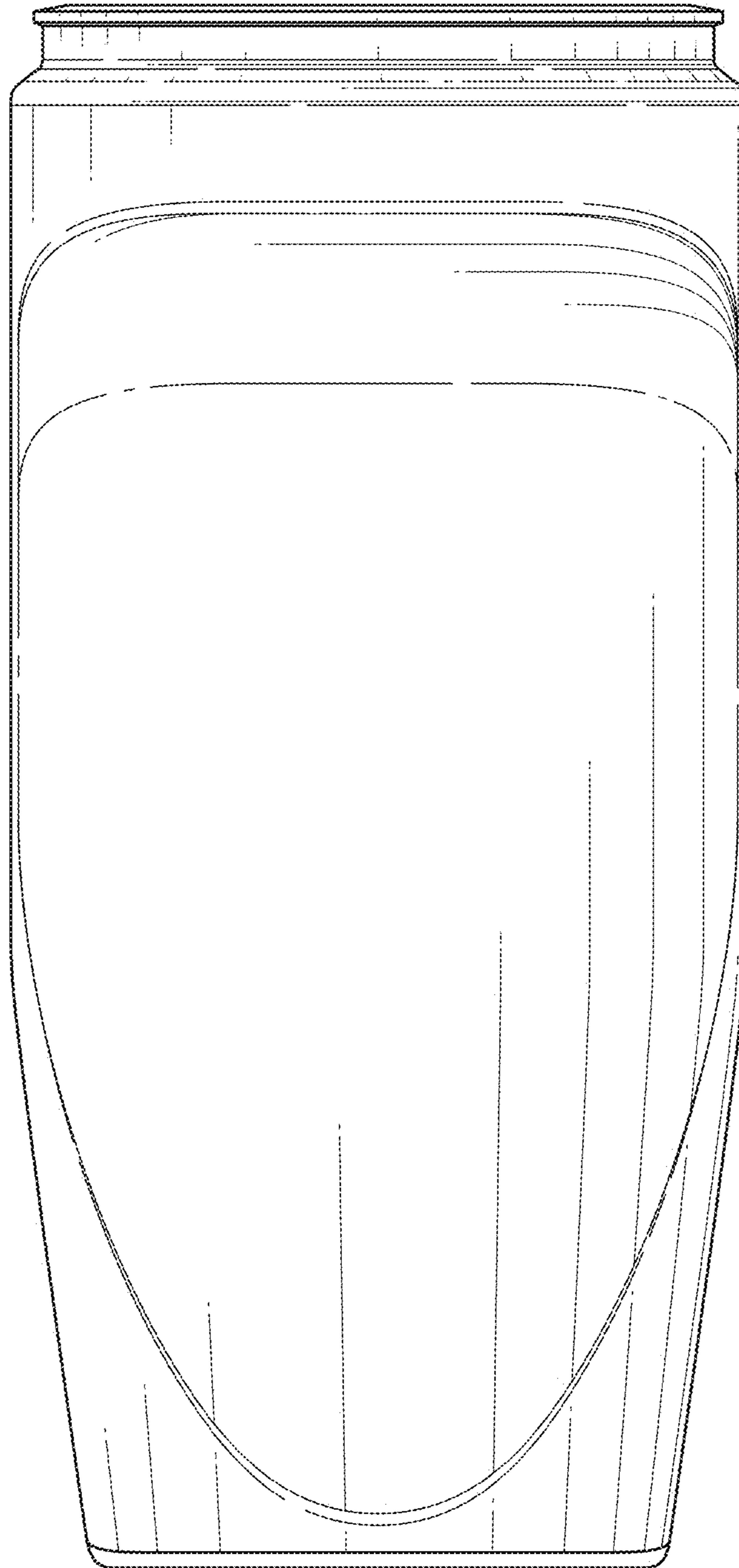


FIG. 4

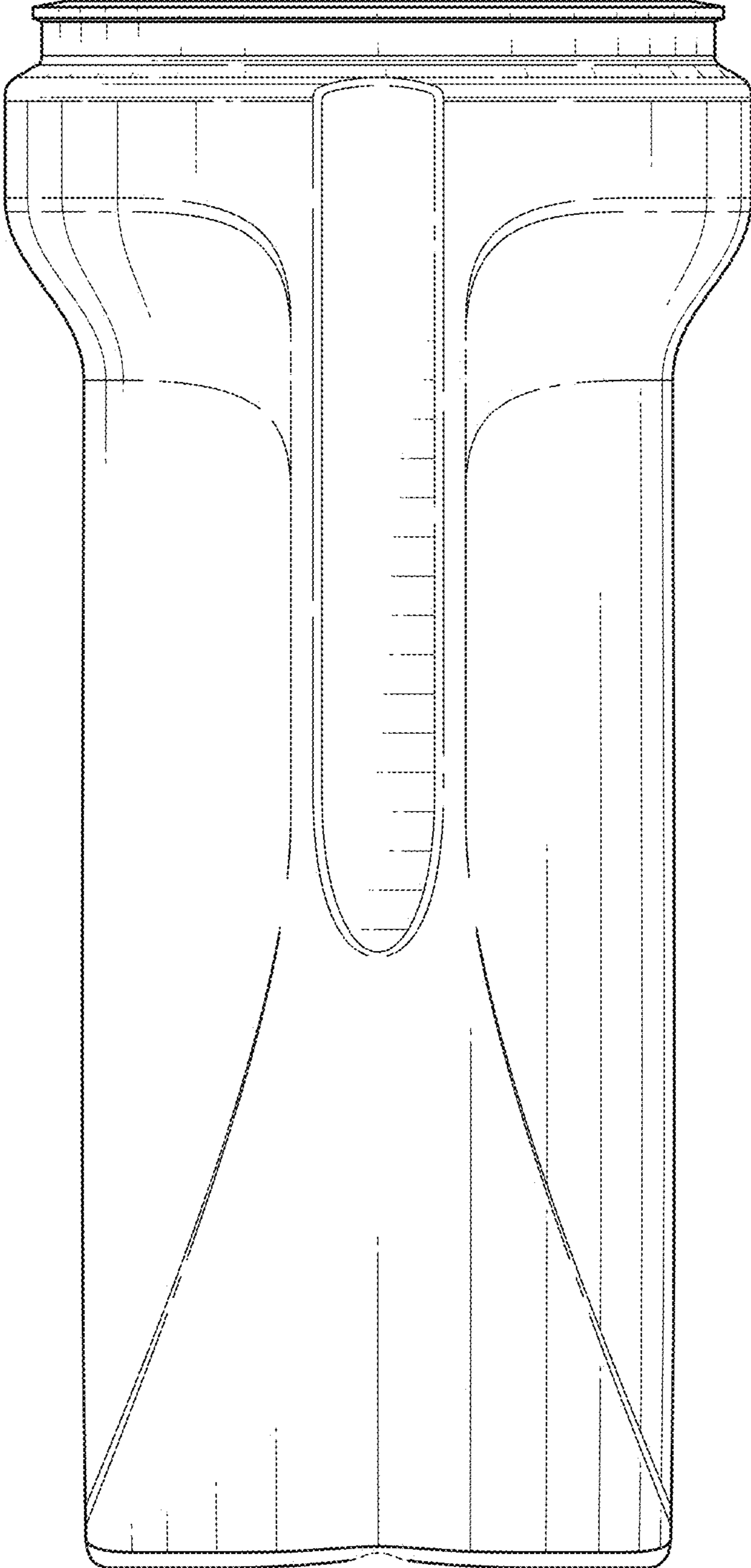


FIG. 5

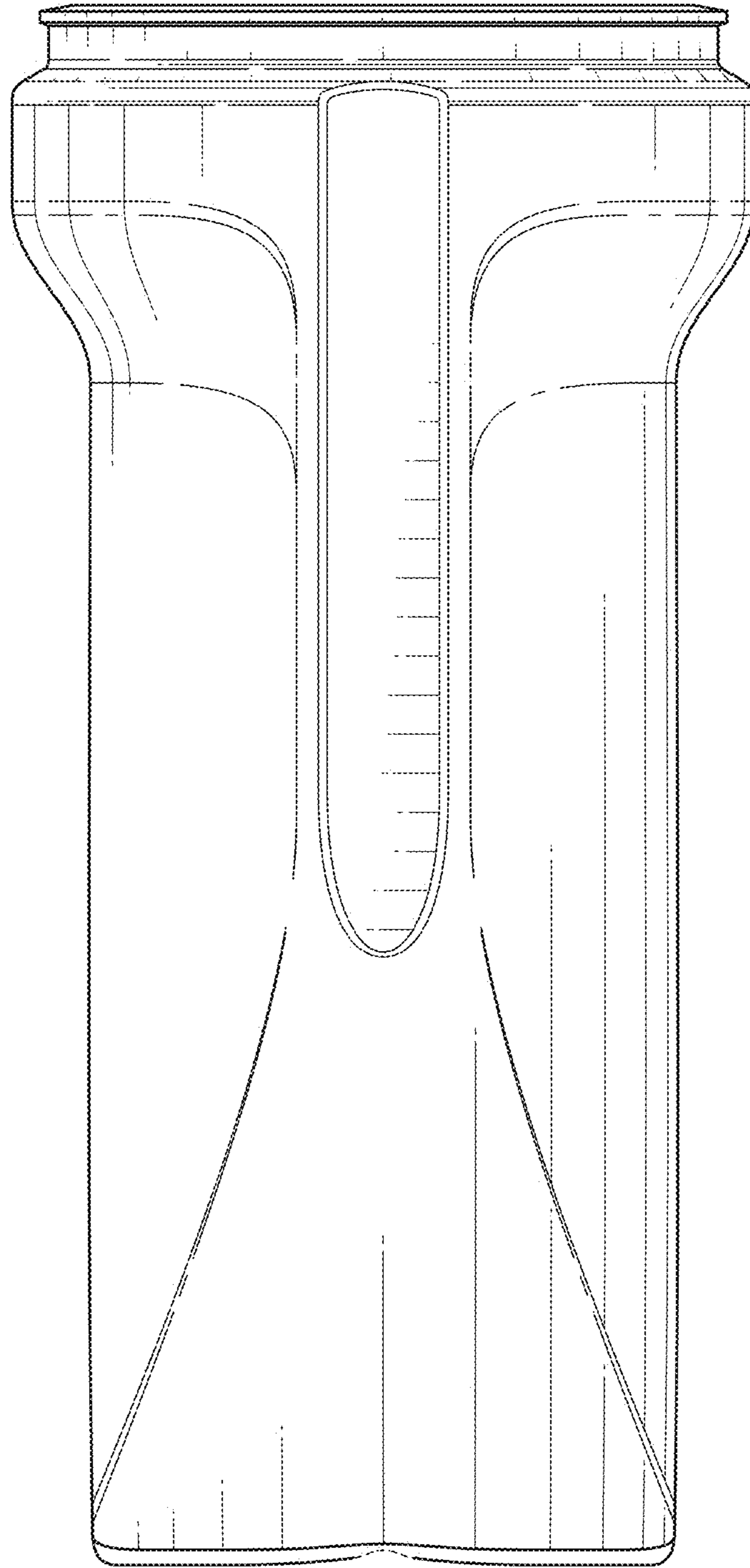


FIG. 6

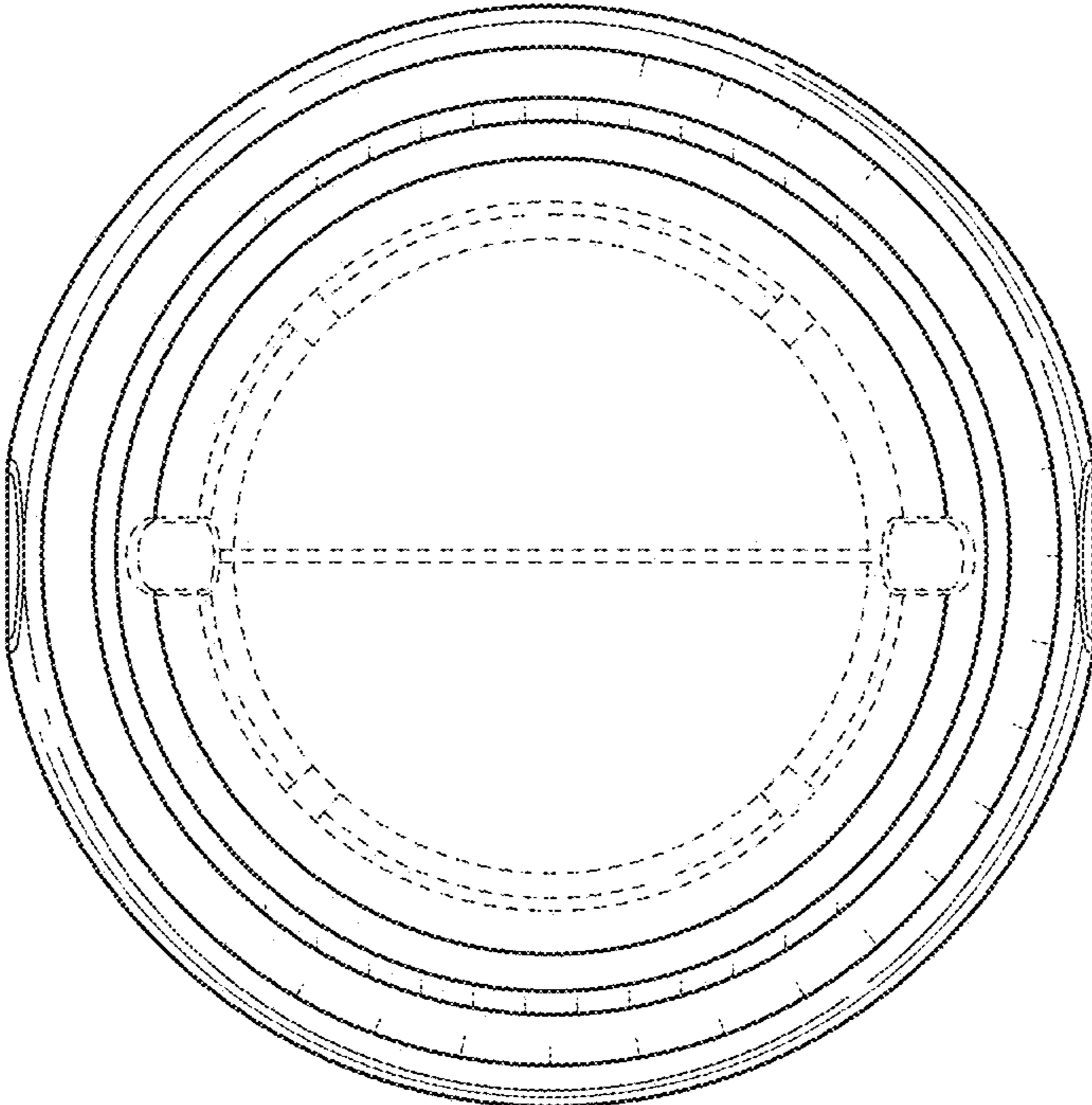


FIG. 7

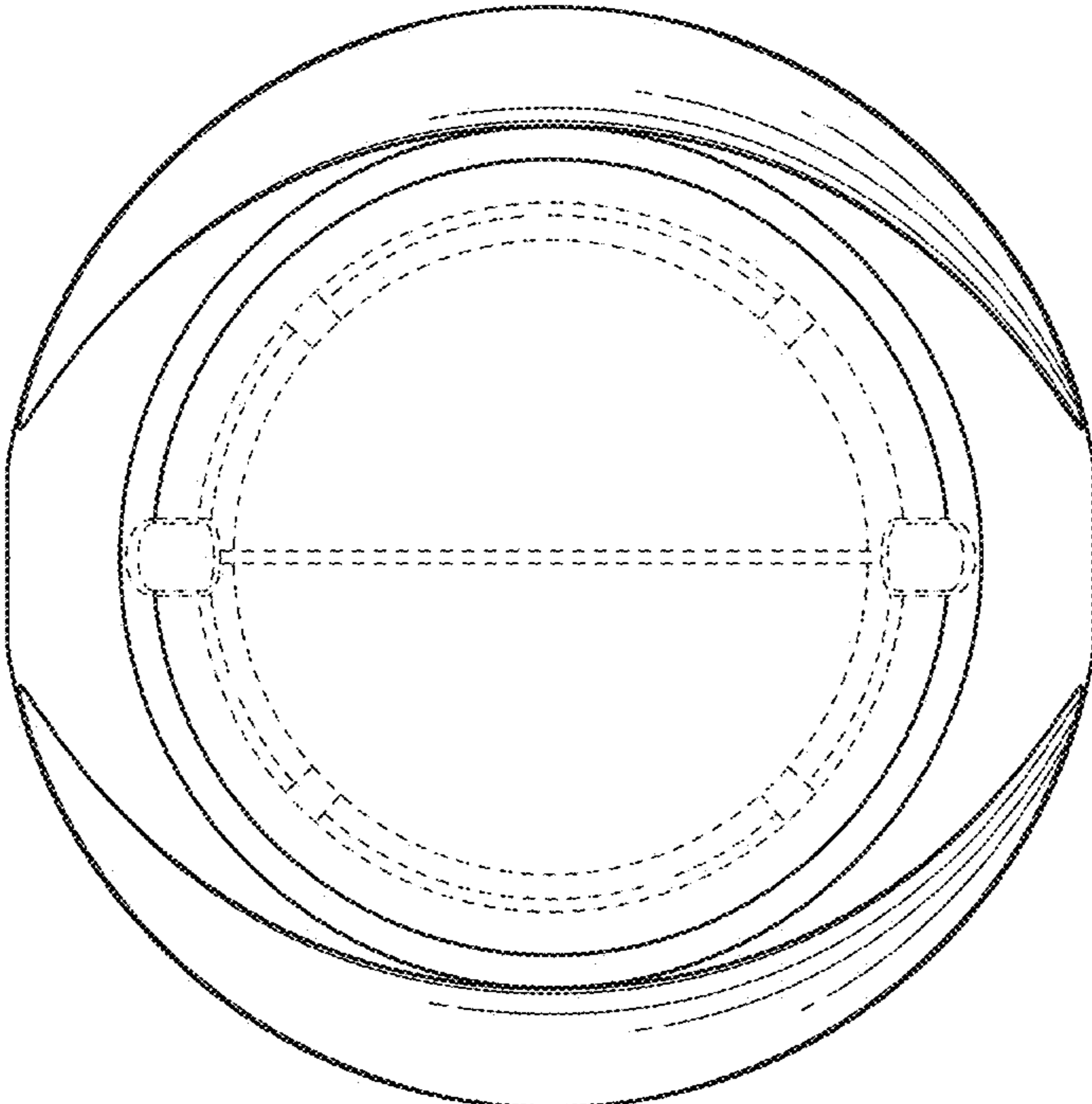


FIG. 8

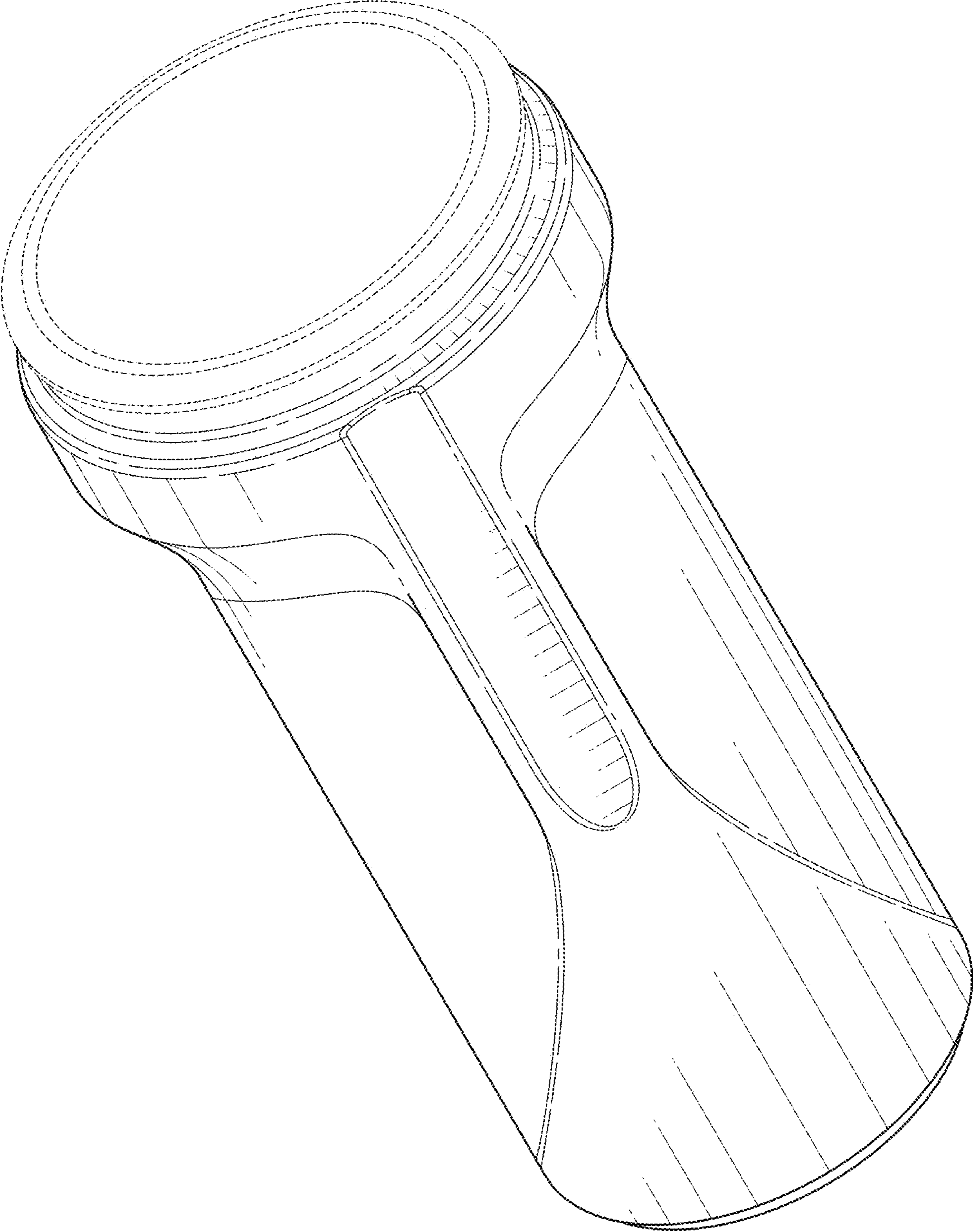


FIG. 9

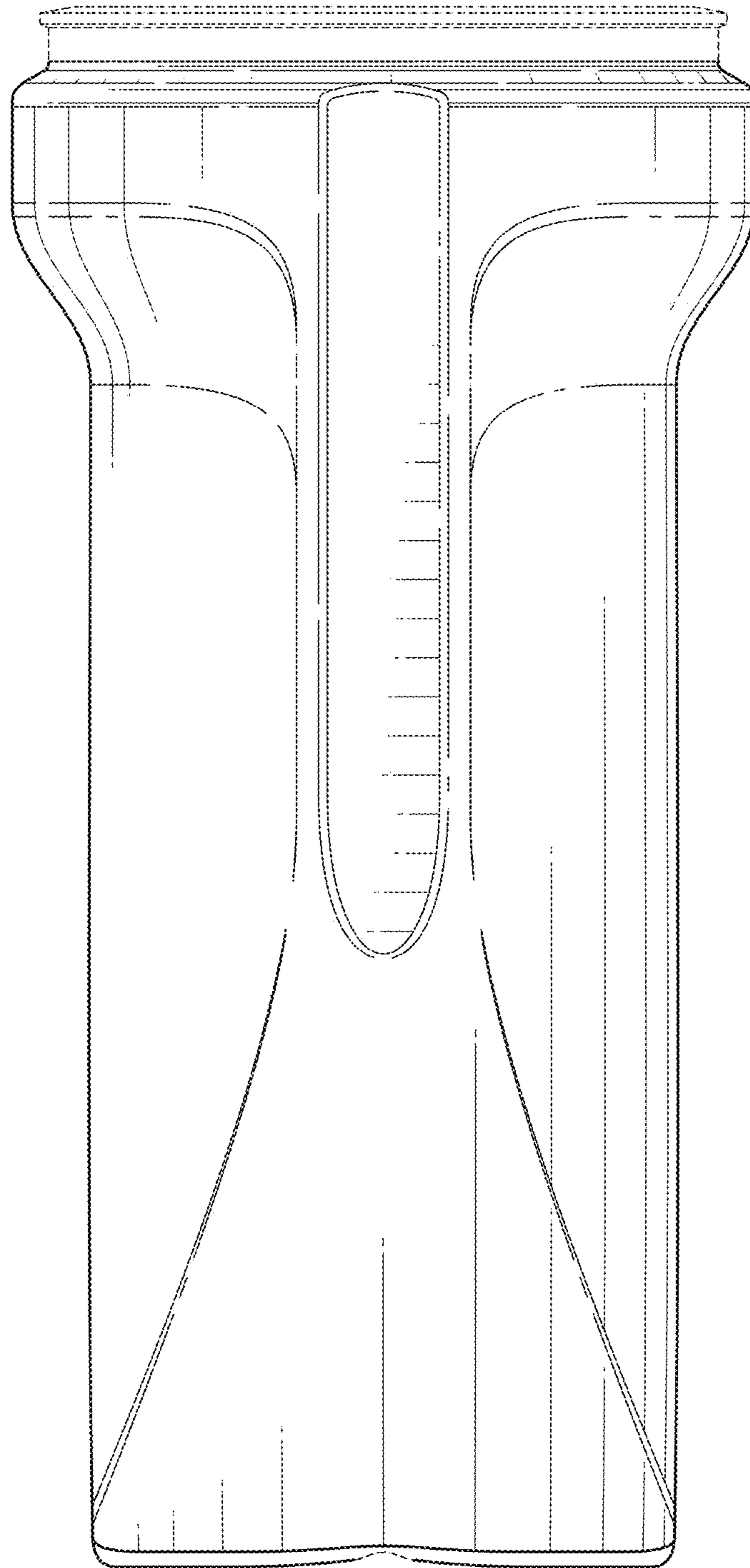


FIG. 10