



US00D874286S

(12) **United States Design Patent**
Yourist

(10) **Patent No.:** **US D874,286 S**
(45) **Date of Patent:** **** Feb. 4, 2020**

(54) **CONTAINER**

(71) Applicant: **Graham Packaging Company, L.P.**,
Lancaster, PA (US)

(72) Inventor: **Sheldon E. Yourist**, York, PA (US)

(73) Assignee: **GRAHAM PACKAGING**
COMPANY, L.P., Lancaster, PA (US)

(**) Term: **15 Years**

(21) Appl. No.: **29/621,875**

(22) Filed: **Oct. 12, 2017**

(51) **LOC (12) Cl.** **09-01**

(52) **U.S. Cl.**

USPC **D9/539**; D9/551; D7/509

(58) **Field of Classification Search**

USPC D9/428, 516, 530, 537, 539, 549, 551,
D9/558, 571, 715, 719, 772, 779-780;
D7/300.1, 413, 509-511, 530, 602, 608,
D7/629; D24/197

CPC B65D 1/00; B65D 1/02; B65D 1/0223;
B65D 23/00; B65D 2501/00; B65D
2501/0009; A45F 3/16; A45F 3/18; A47G
19/22; A47G 19/2205

See application file for complete search history.

(56) **References Cited**

U.S. PATENT DOCUMENTS

D214,994 S	8/1969	Goldman	
D269,315 S	6/1983	Conti	
D368,220 S	3/1996	Bicknell et al.	
D368,427 S	4/1996	Bicknell et al.	
D408,221 S *	4/1999	Asberg	D7/511
D436,296 S *	1/2001	Freed	D7/517
D447,693 S *	9/2001	Warner	D9/450
D456,218 S *	4/2002	Hatsumoto	D7/608
D486,996 S *	2/2004	Karp	D7/510
D501,638 S	2/2005	Hutter et al.	
D502,844 S *	3/2005	Rohe	D7/510

D561,590 S	2/2008	Kingsley	
D582,212 S *	12/2008	Trombly	D7/509
D620,316 S *	7/2010	McKinney	D7/509
7,810,651 B2 *	10/2010	Miga, Jr.	C02F 1/002 210/266

D638,709 S	5/2011	Yourist	
D642,470 S *	8/2011	Yourist	D9/500
D646,919 S	10/2011	Nilsson	

(Continued)

OTHER PUBLICATIONS

U.S. Appl. No. 29/628,613, filed Dec. 6, 2017.

(Continued)

Primary Examiner — Dana Meyrow

(74) *Attorney, Agent, or Firm* — Baker Botts L.L.P.

(57) **CLAIM**

The ornamental design for a container, as shown and described.

DESCRIPTION

FIG. 1 is a bottom right perspective view of an embodiment of a container with an attached container lid shown in broken lines.

FIG. 2 is a top right perspective view of the container of FIG. 1.

FIG. 3 is a front view of the container of FIG. 1.

FIG. 4 is a rear view of the container of FIG. 1.

FIG. 5 is a right view of the container of FIG. 1.

FIG. 6 is a left view of the container of FIG. 1.

FIG. 7 is a top view of the container of FIG. 1.

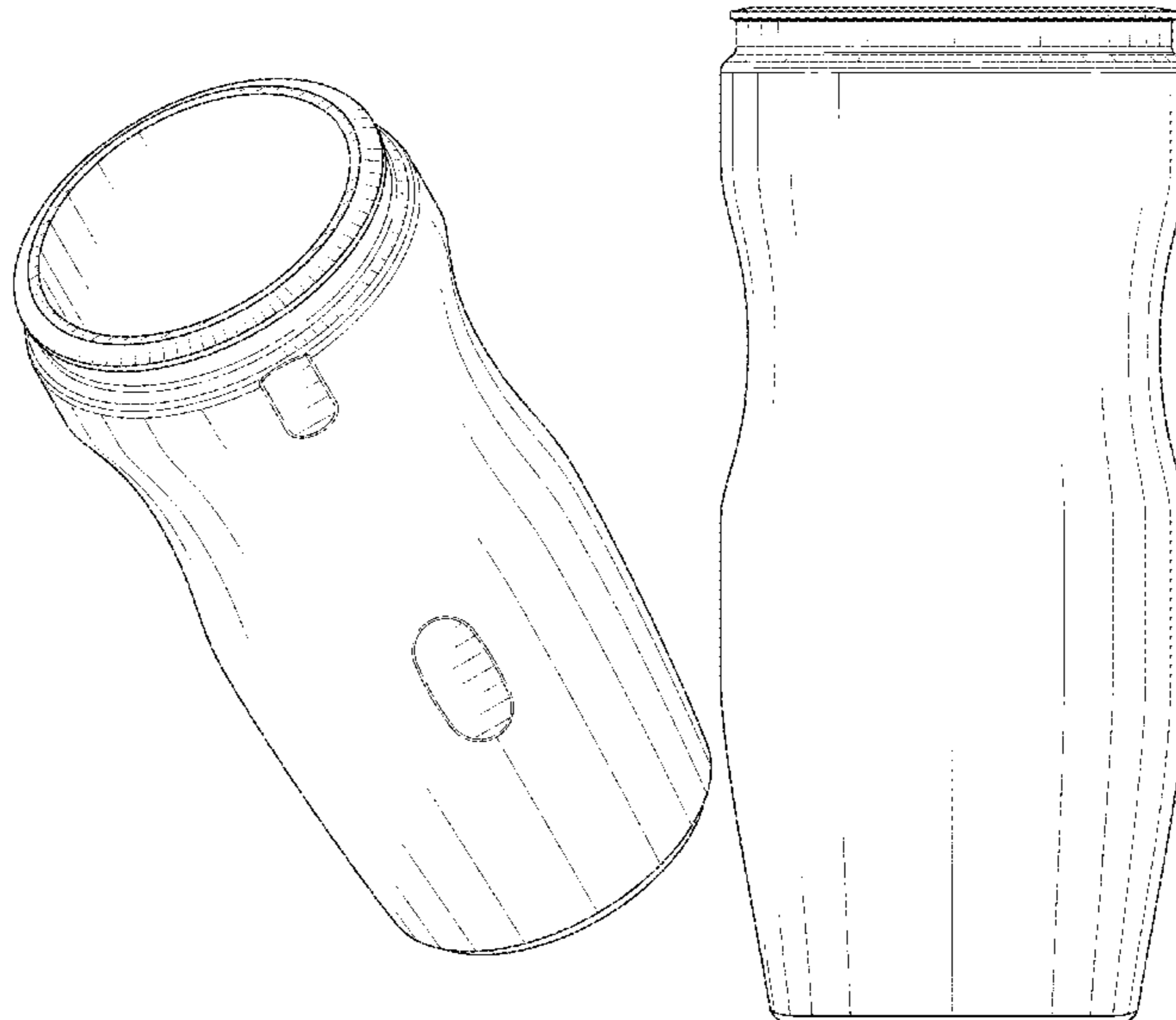
FIG. 8 is a bottom view of the container of FIG. 1.

FIG. 9 is a top right view of an alternative embodiment of the container of FIG. 1; and,

FIG. 10 is a right view of the container of FIG. 9.

The broken lines are shown to indicate unclaimed portions of the container and form no part of the claimed design.

1 Claim, 9 Drawing Sheets



(56)

References Cited

U.S. PATENT DOCUMENTS

D672,618 S 12/2012 Stamper et al.
D673,010 S 12/2012 Stamper et al.
D674,279 S * 1/2013 Lembke D7/509
D697,798 S 1/2014 Sorensen et al.
D702,086 S * 4/2014 Thurlow D7/510
D717,608 S * 11/2014 Lin D7/608
D723,332 S 3/2015 Steel
D727,097 S 4/2015 Sorensen et al.
D729,582 S * 5/2015 Lapsker D7/510
D732,339 S 6/2015 Sorensen et al.
D733,497 S 7/2015 Sorensen et al.
D782,320 S 3/2017 Juna
D789,796 S 6/2017 McSweeney et al.
D792,742 S * 7/2017 Meyers D7/523
D793,227 S 8/2017 Maskell
D808,722 S 1/2018 Hill
D814,240 S 4/2018 Kabalin
D836,985 S 1/2019 Otto
2017/0225850 A1 8/2017 Sorensen et al.

OTHER PUBLICATIONS

U.S. Appl. No. 29/628,615, filed Dec. 6, 2017.
U.S. Appl. No. 29/621,870, filed Oct. 12, 2017.
U.S. Appl. No. 29/621,879, filed Oct. 12, 2017.

* cited by examiner

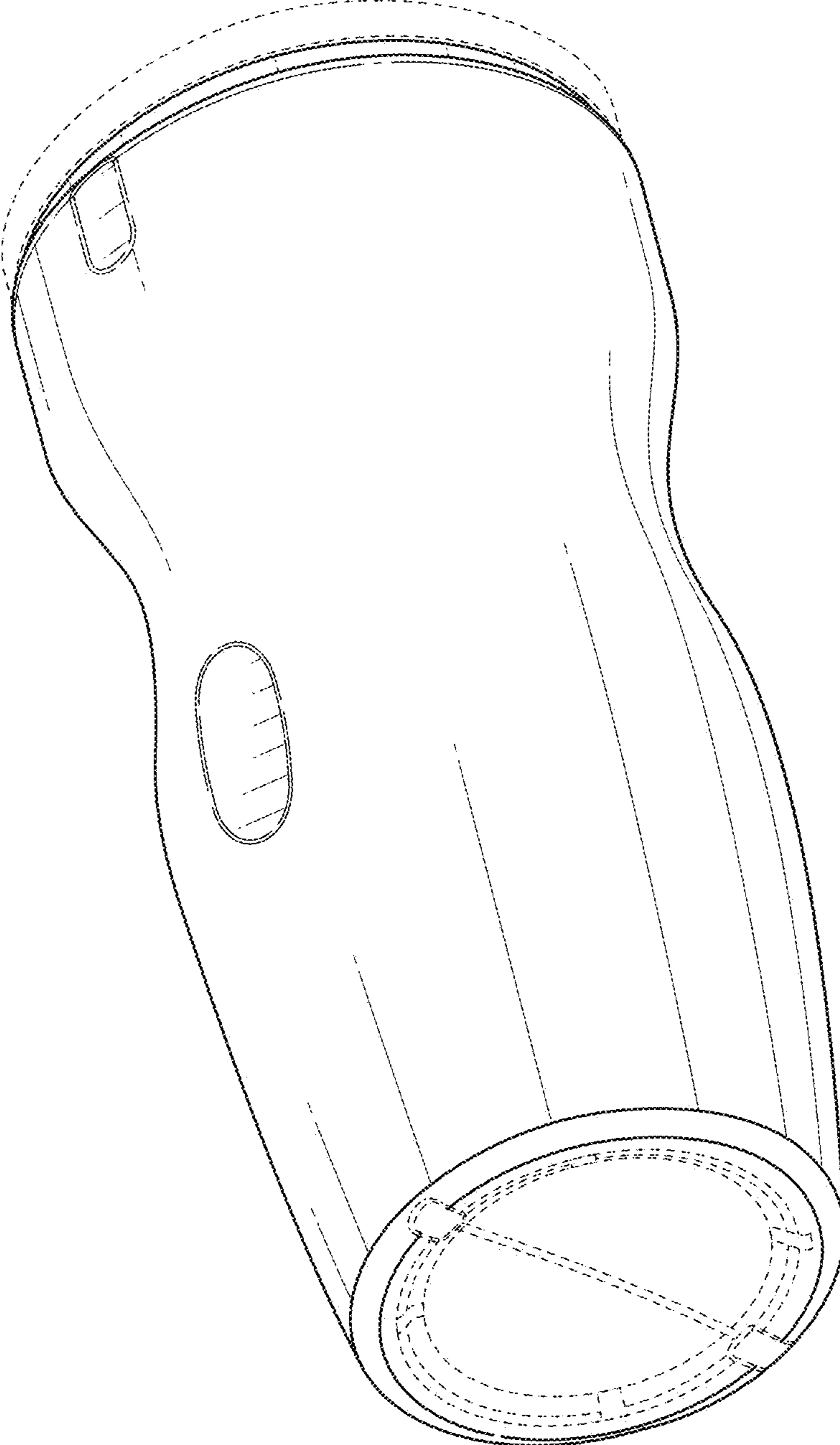


FIG. 1

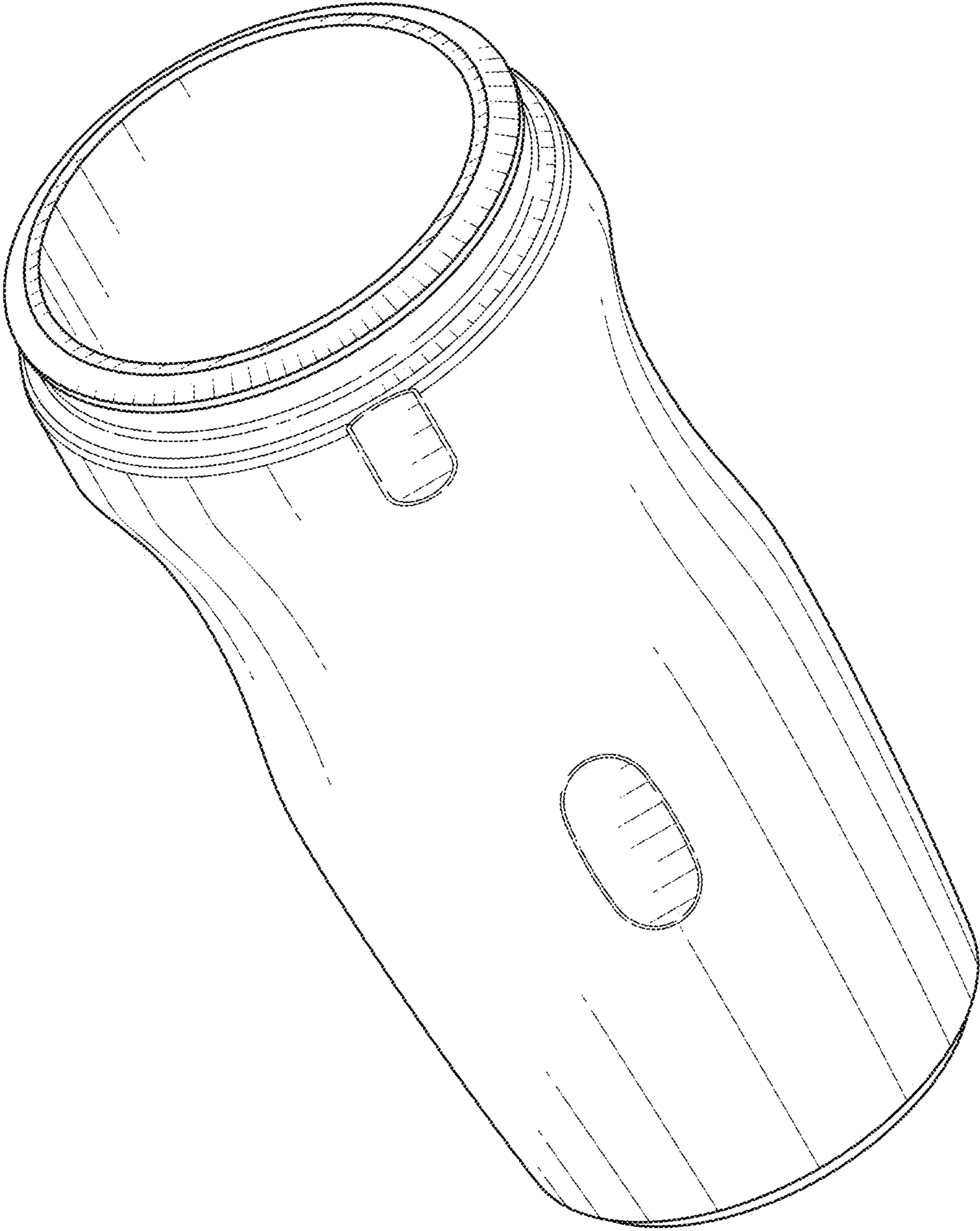


FIG. 2

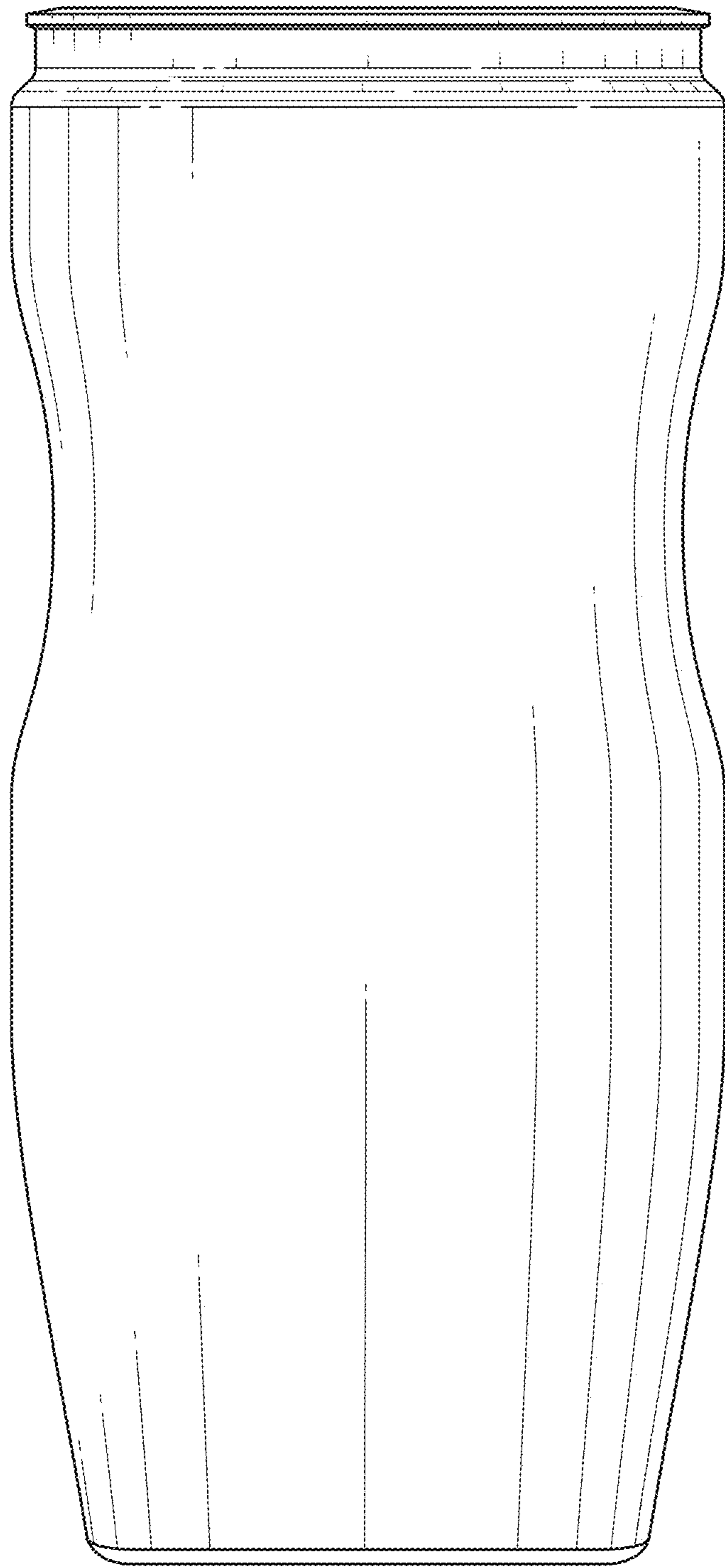


FIG. 3

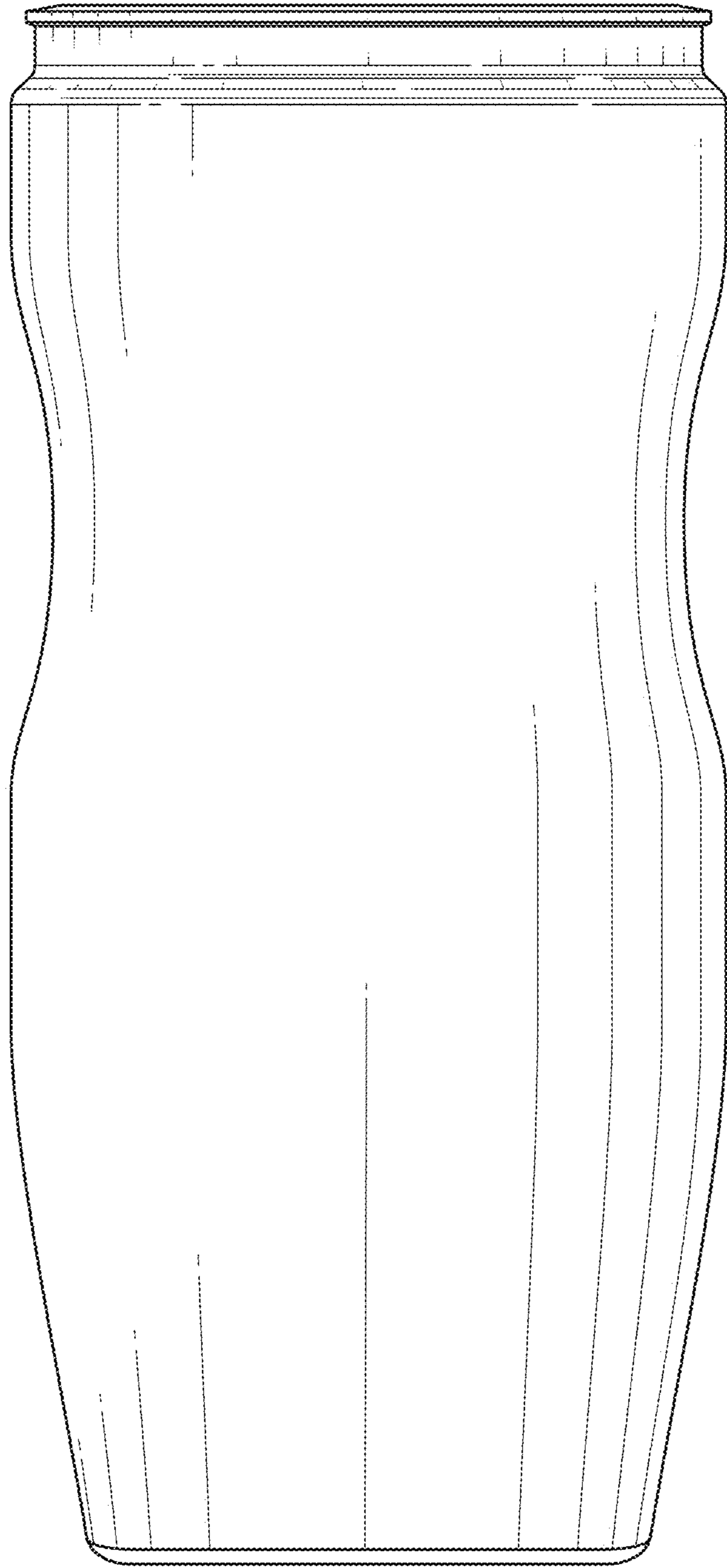


FIG. 4

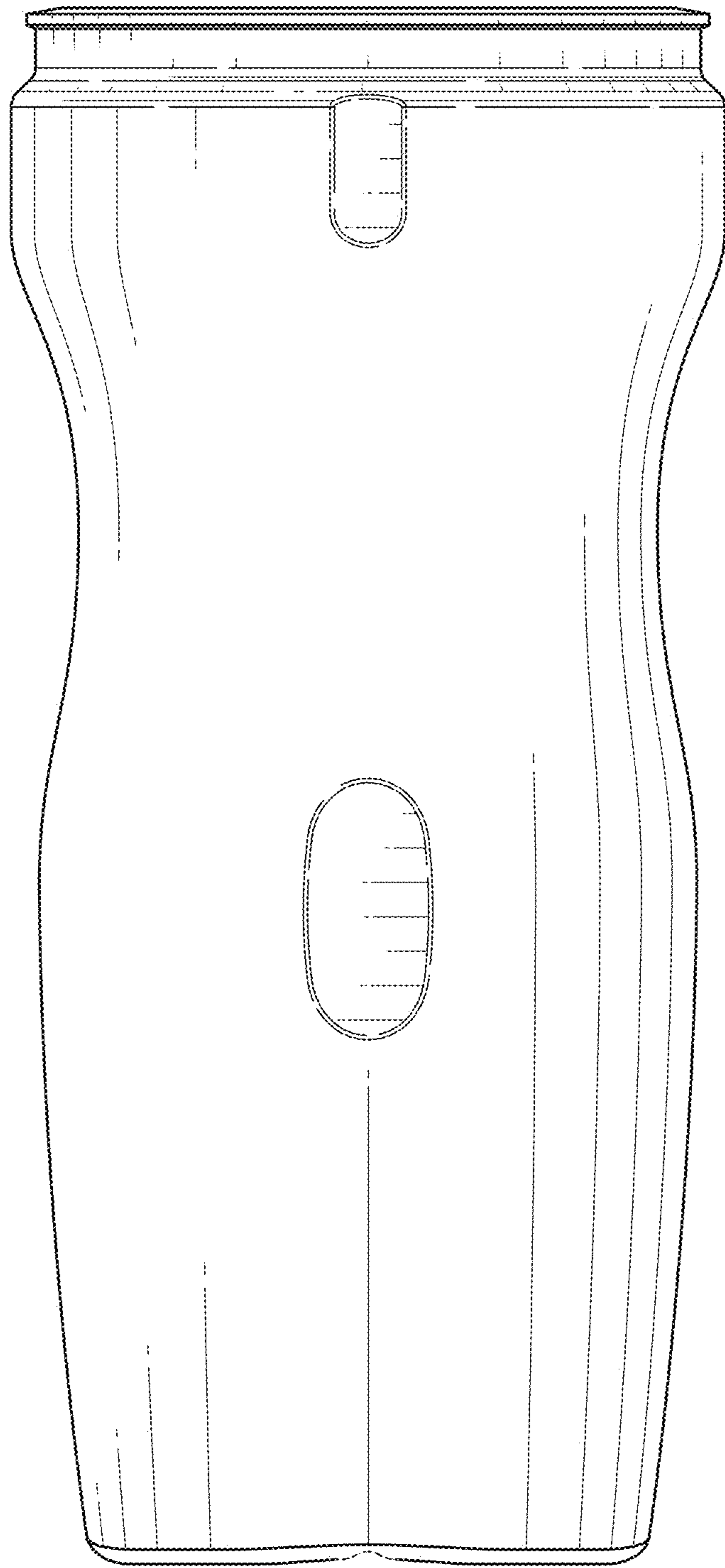


FIG. 5

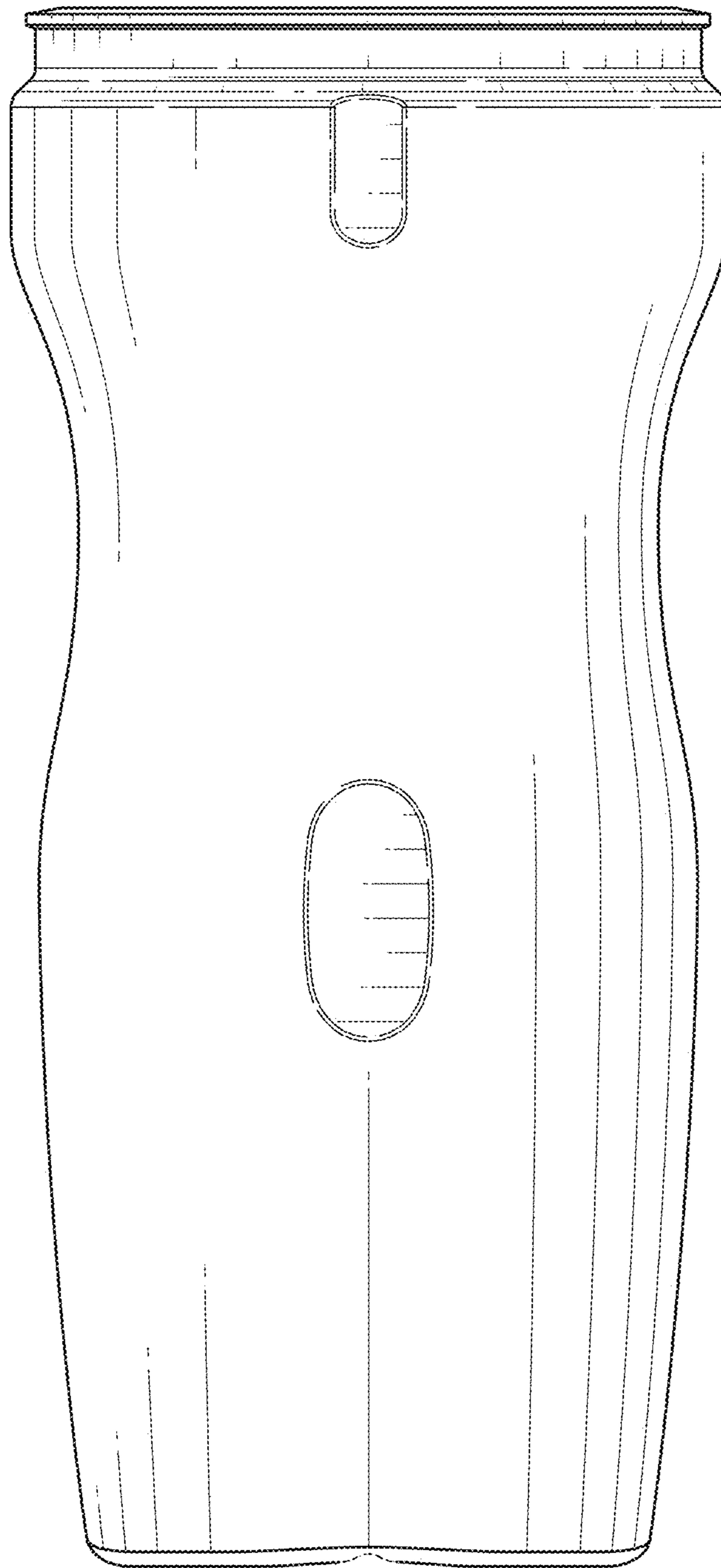


FIG. 6

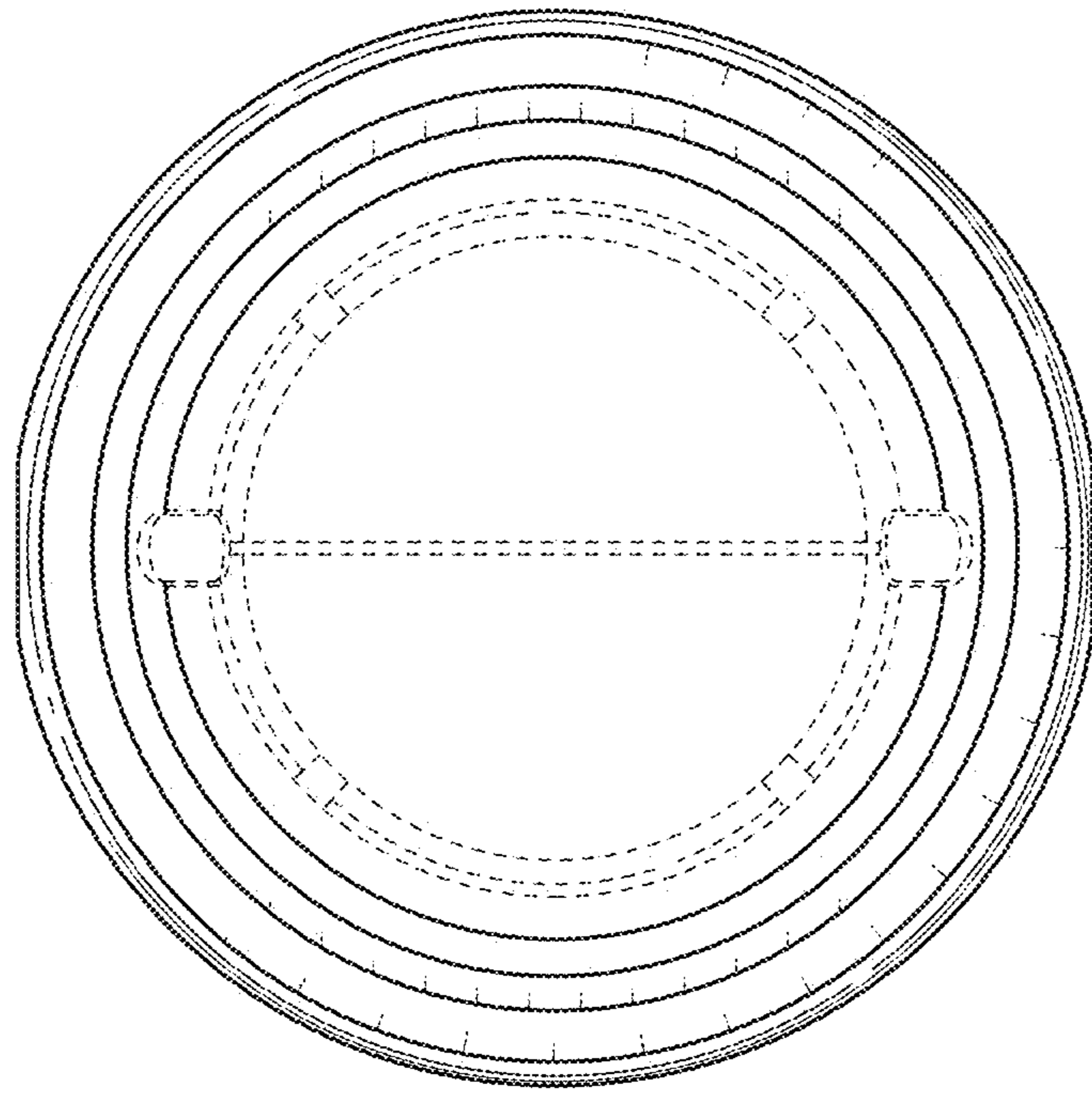


FIG. 7

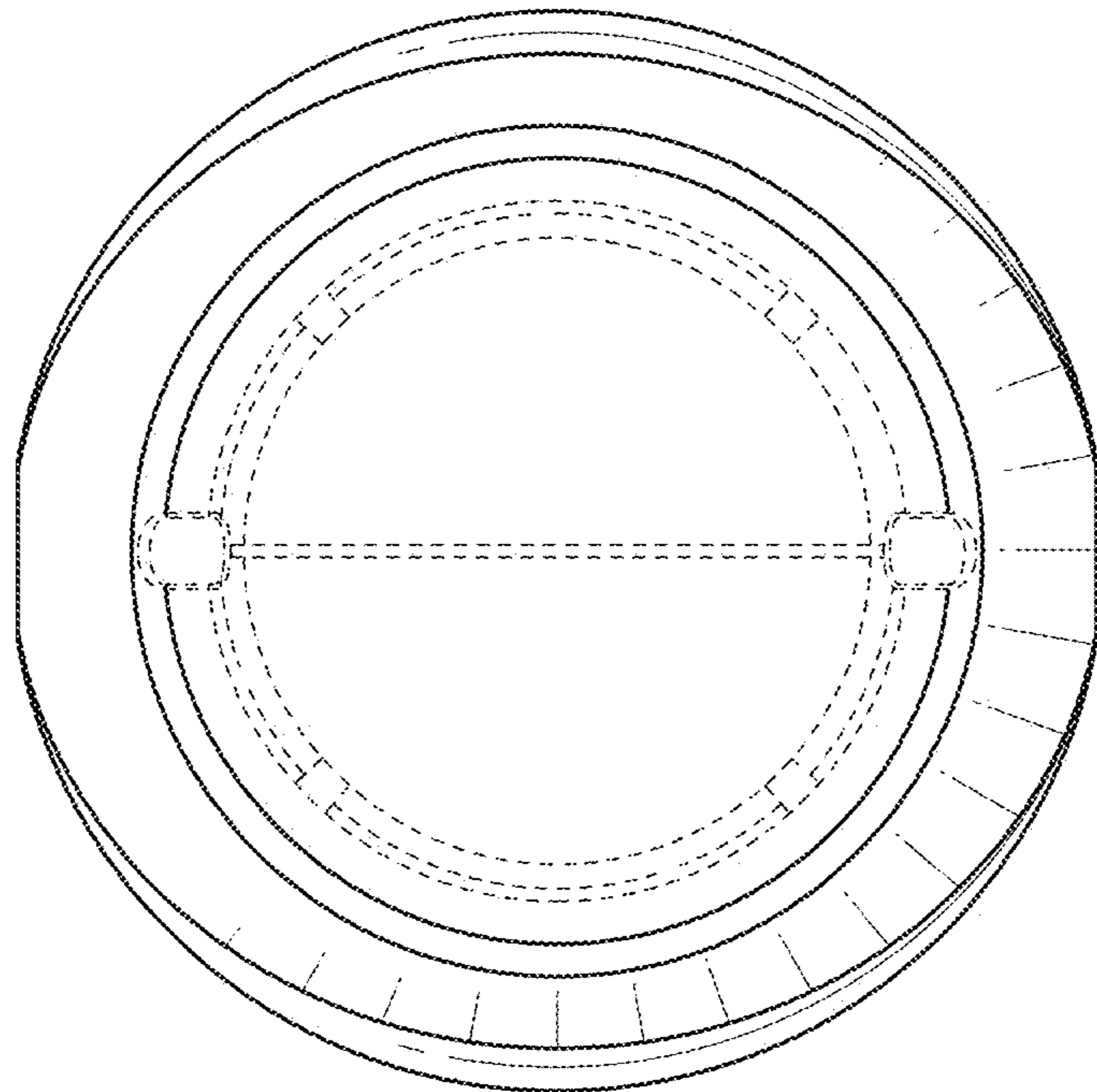


FIG. 8

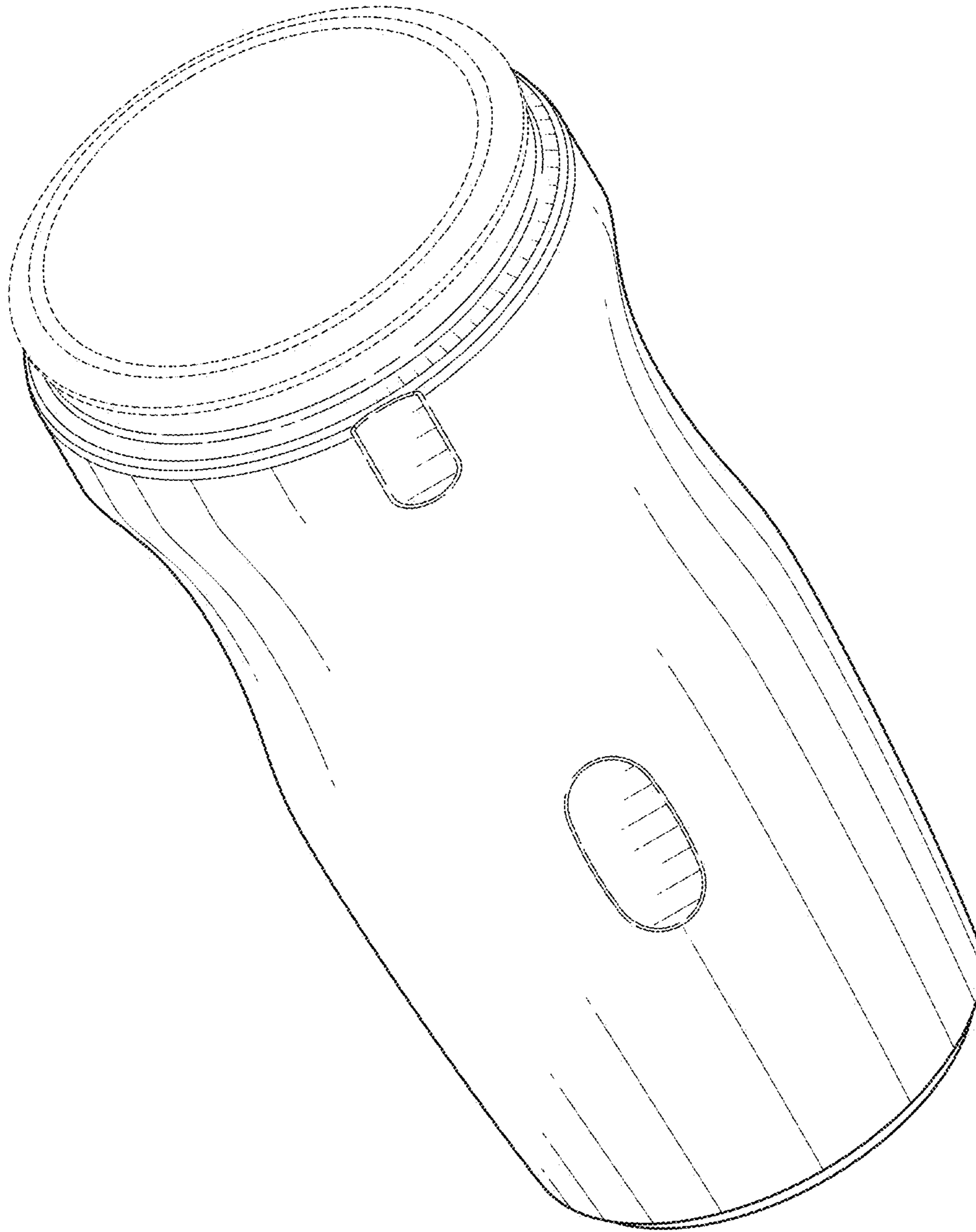


FIG. 9

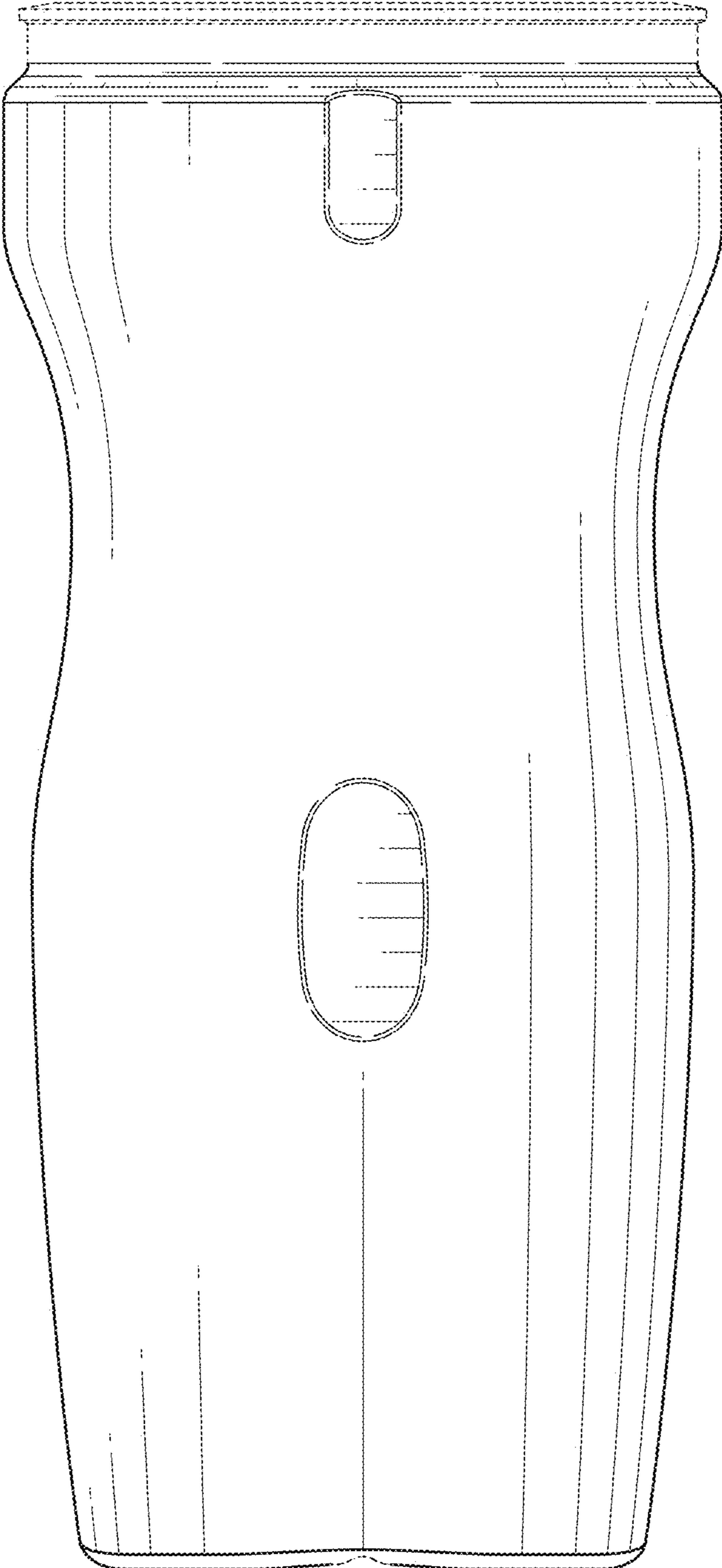


FIG. 10