



US00D874285S

(12) **United States Design Patent** (10) **Patent No.:** **US D874,285 S**  
**Yourist** (45) **Date of Patent:** **\*\* Feb. 4, 2020**

(54) **CONTAINER**

(71) Applicant: **Graham Packaging Company, L.P.**,  
Lancaster, PA (US)

(72) Inventor: **Sheldon E. Yourist**, York, PA (US)

(73) Assignee: **GRAHAM PACKAGING  
COMPANY, L.P.**, Lancaster, PA (US)

(\*\*) Term: **15 Years**

(21) Appl. No.: **29/621,870**

(22) Filed: **Oct. 12, 2017**

(51) **LOC (12) Cl.** ..... **09-01**

(52) **U.S. Cl.**  
USPC ..... **D9/539**; D9/428; D7/509

(58) **Field of Classification Search**  
USPC ..... D9/428, 516, 530, 537, 539, 549, 551,  
D9/558, 571, 715, 719, 772, 779-780;  
D7/300.1, 413, 509-511, 530, 602, 608,  
D7/629; D24/197

CPC ..... B65D 1/00; B65D 1/02; B65D 1/0223;  
B65D 23/00; B65D 2501/00; B65D  
2501/0009; A45F 3/16; A45F 3/18; A47G  
19/22; A47G 19/2205

See application file for complete search history.

(56) **References Cited**

**U.S. PATENT DOCUMENTS**

D214,994 S 8/1969 Goldman  
D269,315 S \* 6/1983 Conti ..... D7/591  
D368,220 S 3/1996 Bicknell et al.  
D368,427 S 4/1996 Bicknell et al.  
D408,221 S 4/1999 Asberg  
D436,296 S 1/2001 Freed  
D447,693 S 9/2001 Warner et al.  
D456,218 S 4/2002 Hatsumoto  
D486,996 S 2/2004 Karp  
D501,638 S \* 2/2005 Hutter ..... D9/569  
D502,844 S 3/2005 Rohe

D561,590 S \* 2/2008 Kingsley ..... D7/509  
D582,212 S 12/2008 Trombly  
D620,316 S 7/2010 McKinney  
7,810,651 B2 10/2010 Miga, Jr.  
D638,709 S \* 5/2011 Yourist ..... D9/500  
D642,470 S 8/2011 Yourist  
D646,919 S 10/2011 Nilsson  
D672,618 S \* 12/2012 Stamper ..... D7/602

(Continued)

**OTHER PUBLICATIONS**

U.S. Appl. No. 29/628,613, filed Dec. 6, 2017.

(Continued)

*Primary Examiner* — Dana Meyrow

(74) *Attorney, Agent, or Firm* — Baker Botts L.L.P.

(57) **CLAIM**

The ornamental design for a container, as shown and described.

**DESCRIPTION**

FIG. 1 is a bottom right perspective view of an embodiment of a container with an attached container lid shown in broken lines.

FIG. 2 is a top right perspective view of the container of FIG. 1.

FIG. 3 is a front view of the container of FIG. 1.

FIG. 4 is a rear view of the container of FIG. 1.

FIG. 5 is a right view of the container of FIG. 1.

FIG. 6 is a left view of the container of FIG. 1.

FIG. 7 is a top view of the container of FIG. 1.

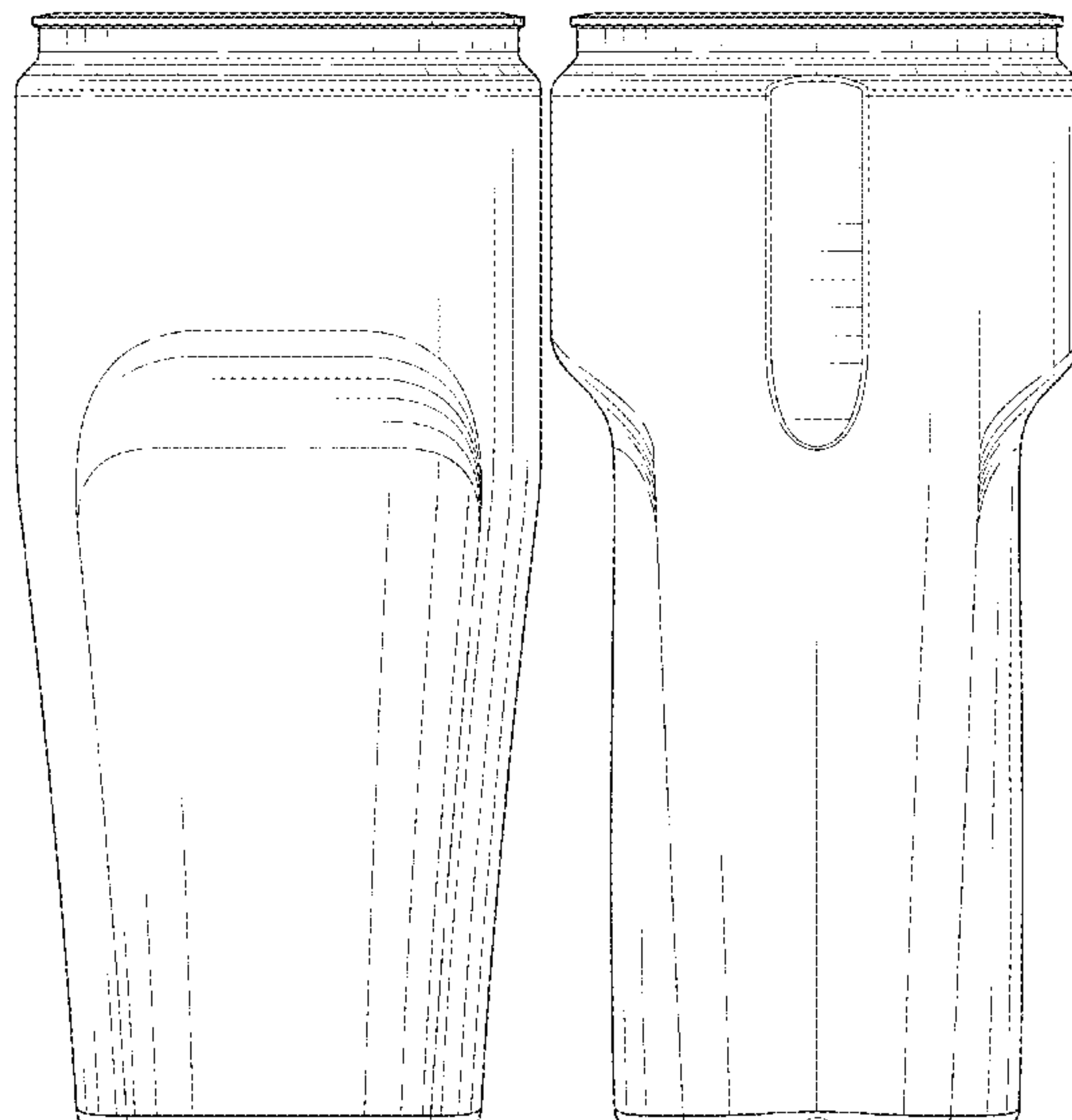
FIG. 8 is a bottom view of the container of FIG. 1.

FIG. 9 is a top right view of an alternative embodiment of the container of FIG. 1; and,

FIG. 10 is a right view of the container of FIG. 9.

The broken lines are shown to indicate unclaimed portions of the container and form no part of the claimed design.

**1 Claim, 9 Drawing Sheets**



(56)

**References Cited**

U.S. PATENT DOCUMENTS

D673,010 S \* 12/2012 Stamper ..... D7/602  
D674,279 S 1/2013 Lembke et al.  
D697,798 S \* 1/2014 Sorensen ..... D9/429  
D702,086 S 4/2014 Thurlow  
D717,608 S 11/2014 Lin  
D723,332 S \* 3/2015 Steel ..... D7/510  
D727,097 S \* 4/2015 Sorensen ..... D7/505  
D729,582 S 5/2015 Lapsker  
D732,339 S \* 6/2015 Sorensen ..... D7/509  
D733,497 S \* 7/2015 Sorensen ..... D7/509  
D782,320 S \* 3/2017 Juna ..... D9/571  
D789,796 S \* 6/2017 McSweeney ..... D9/530  
D792,742 S 7/2017 Meyers et al.  
D793,227 S \* 8/2017 Maskell ..... D7/602  
D808,722 S \* 1/2018 Hill ..... D7/510  
D814,240 S \* 4/2018 Kabalin ..... D7/510  
D836,985 S \* 1/2019 Otto ..... D7/510  
2017/0225850 A1 \* 8/2017 Sorensen ..... B65D 47/0895

OTHER PUBLICATIONS

U.S. Appl. No. 29/628,615, filed Dec. 6, 2017.  
U.S. Appl. No. 29/621,875, filed Oct. 12, 2017.  
U.S. Appl. No. 29/621,879, filed Oct. 12, 2017.

\* cited by examiner

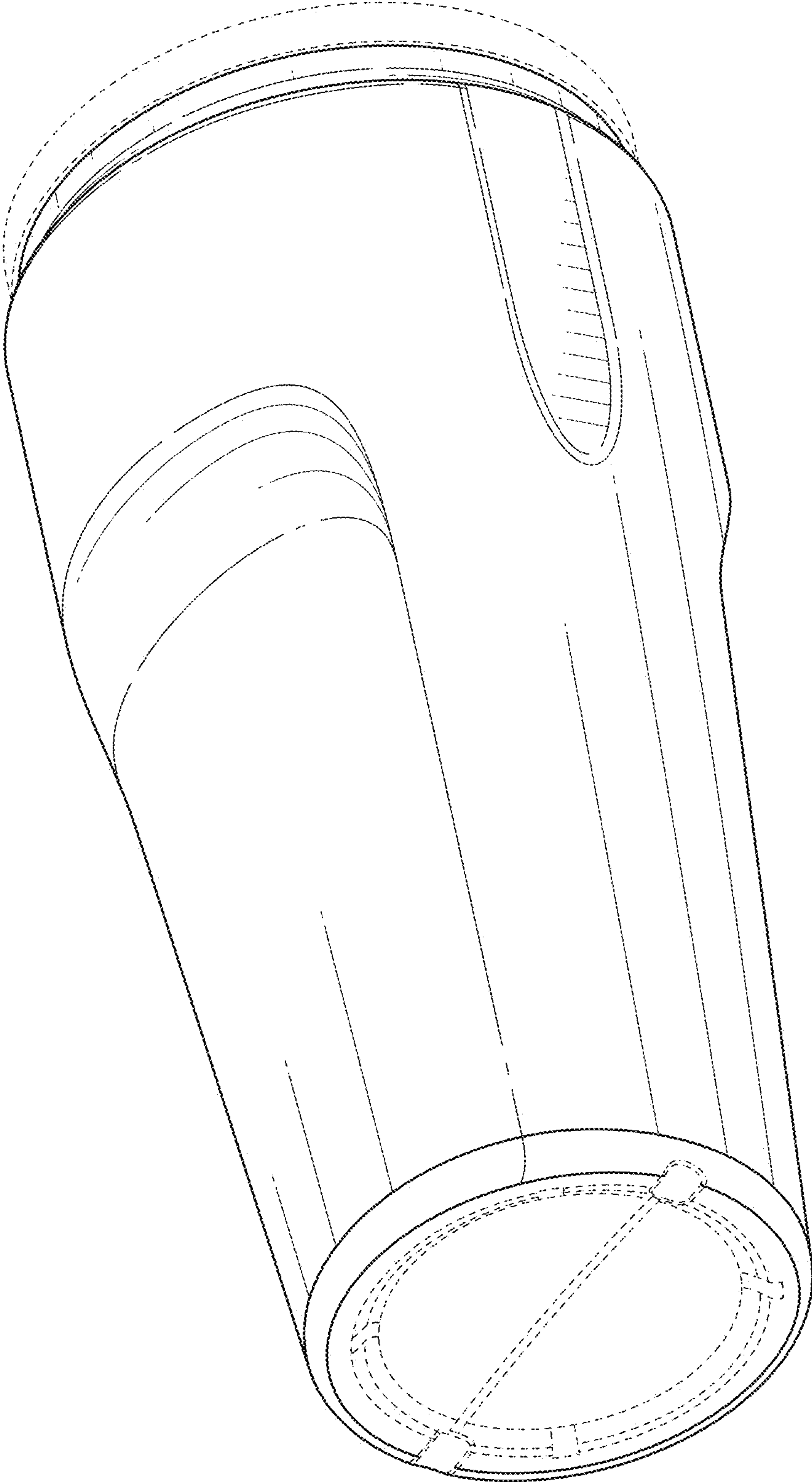


FIG. 1

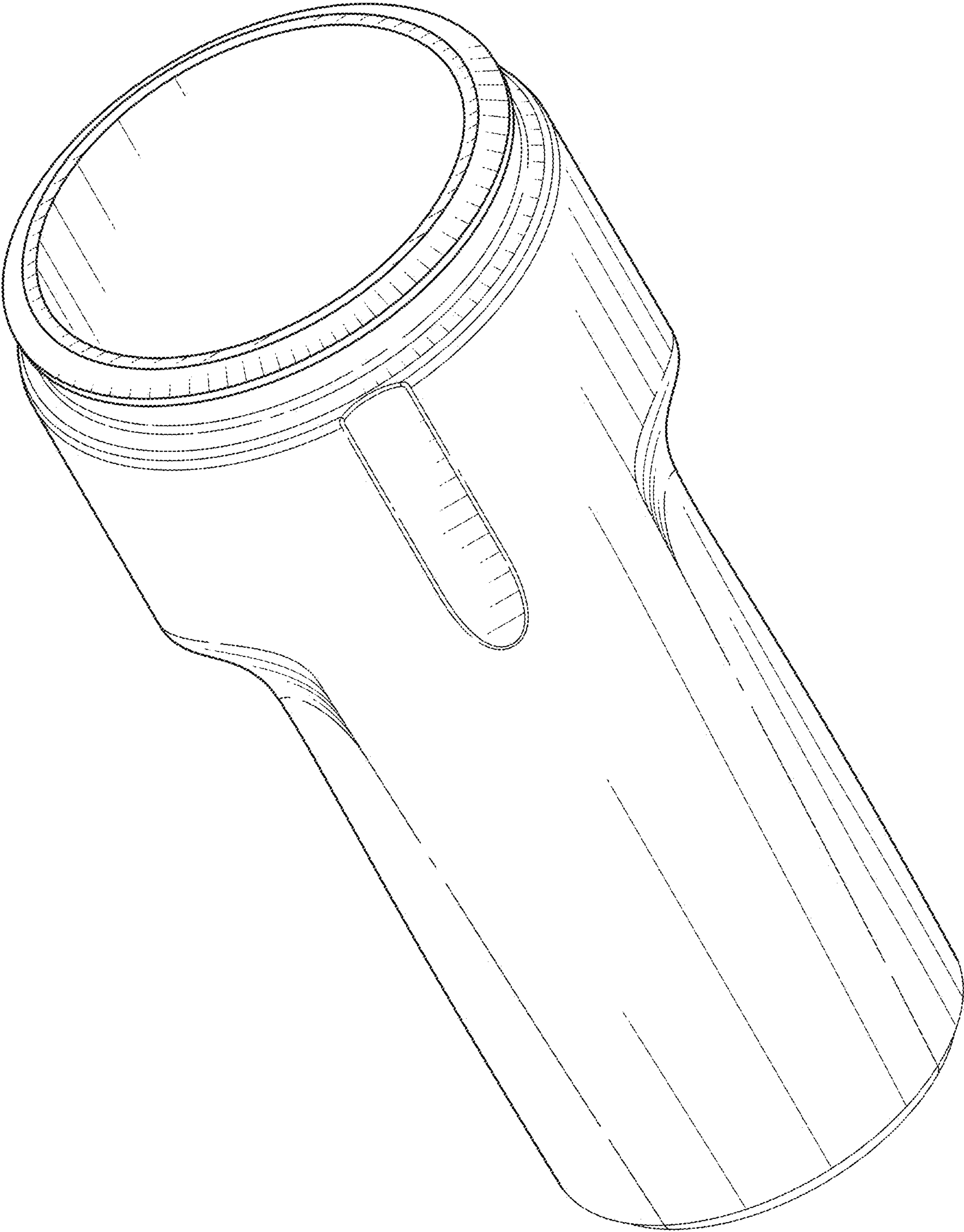


FIG. 2



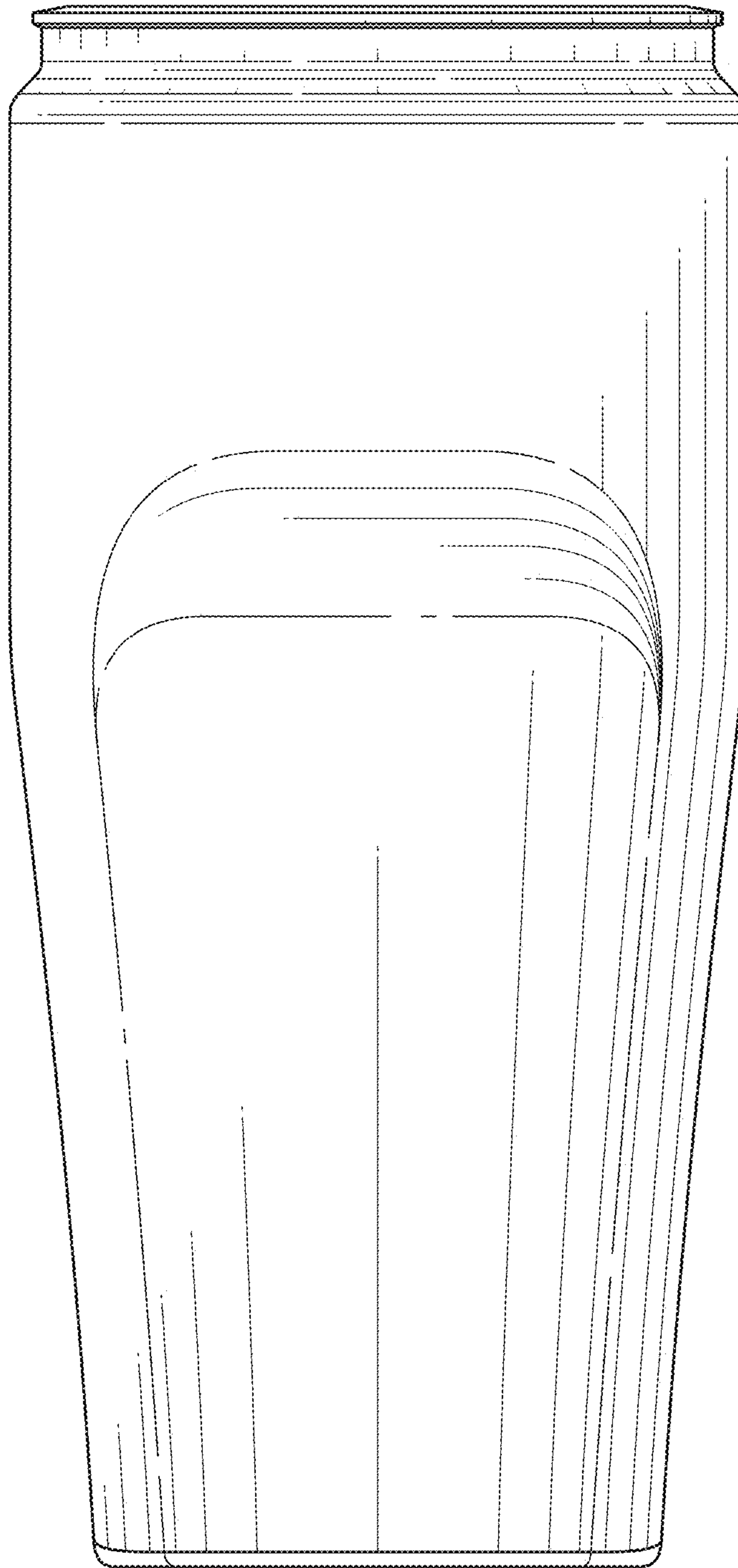


FIG. 3

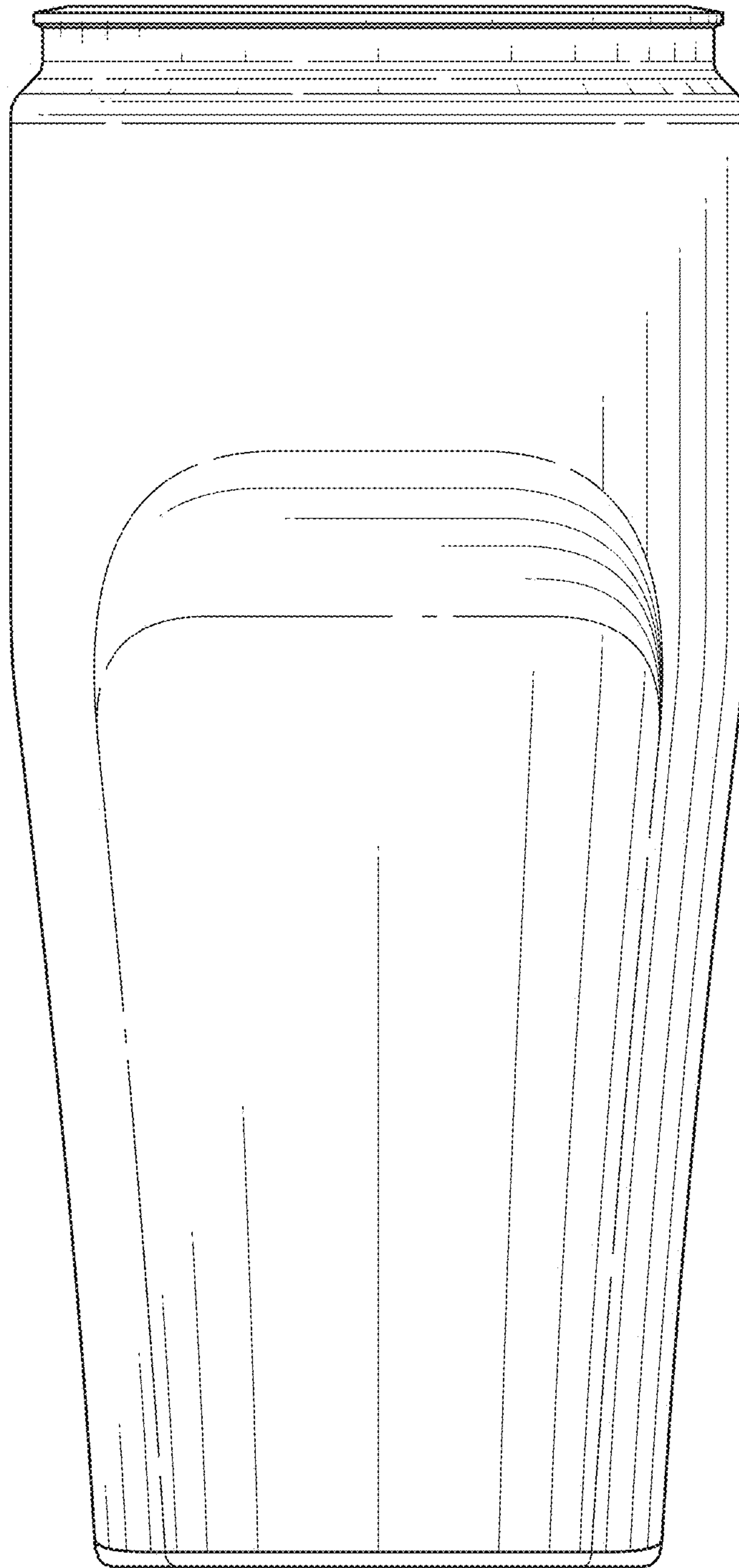


FIG. 4

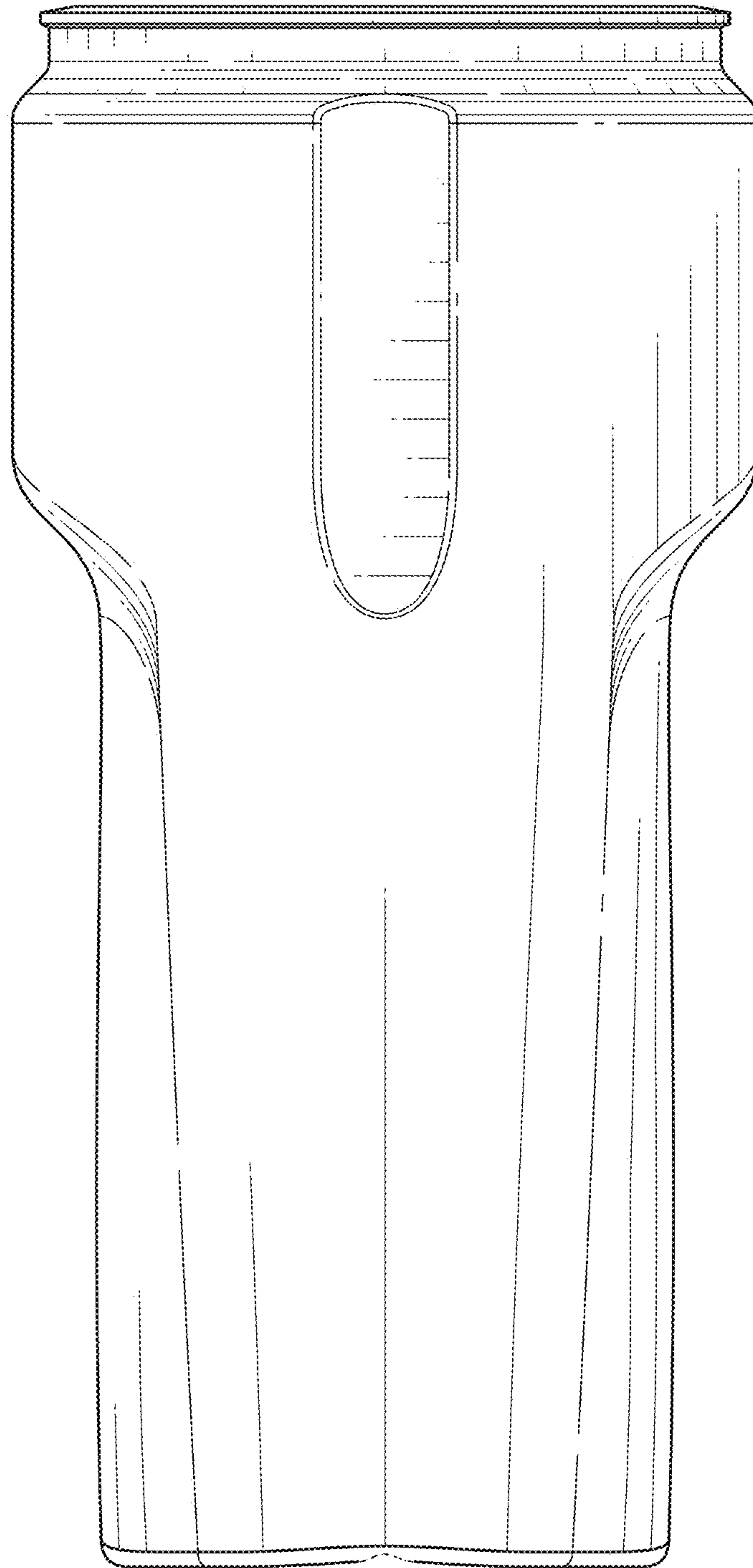


FIG. 5

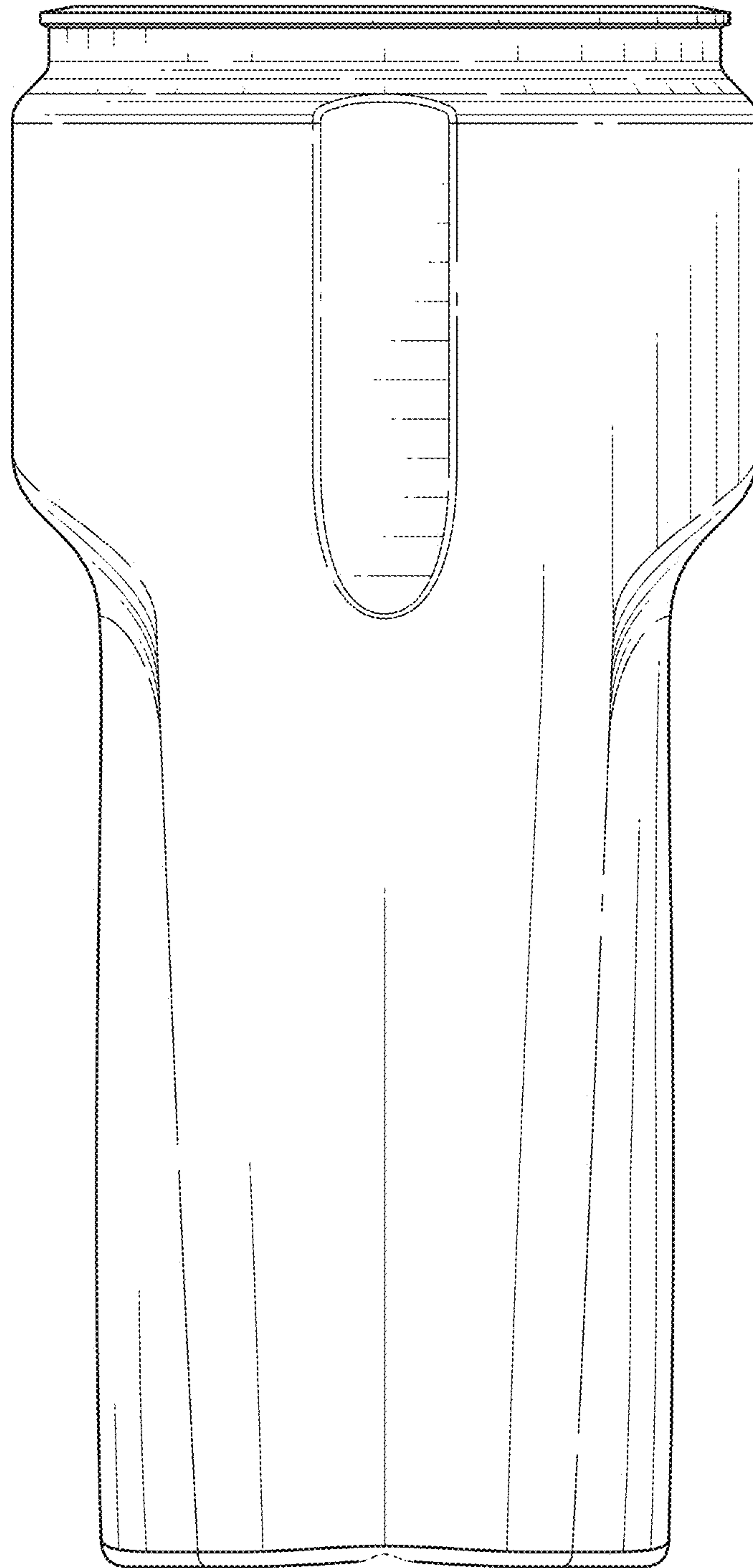


FIG. 6



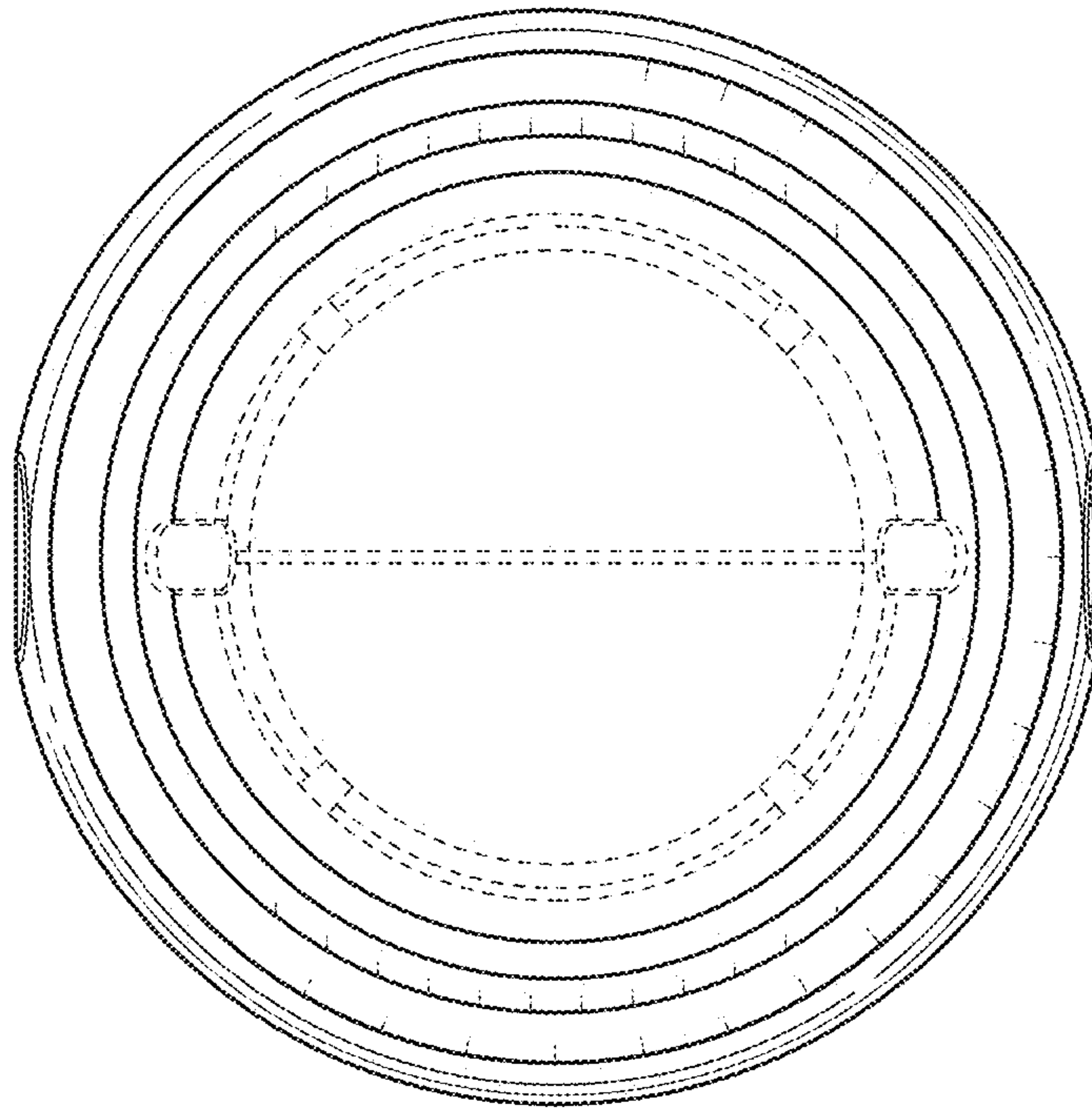


FIG. 7

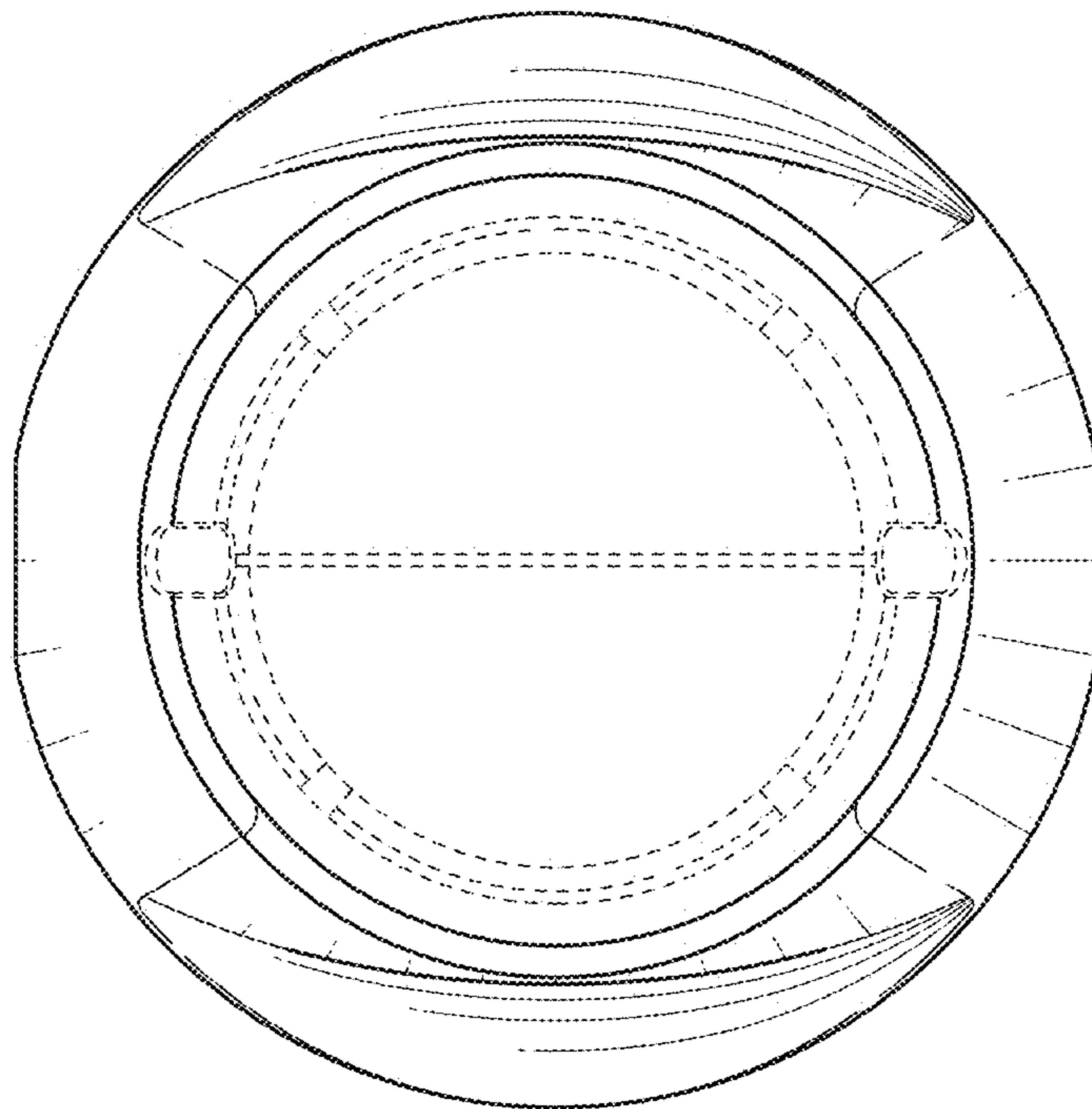


FIG. 8

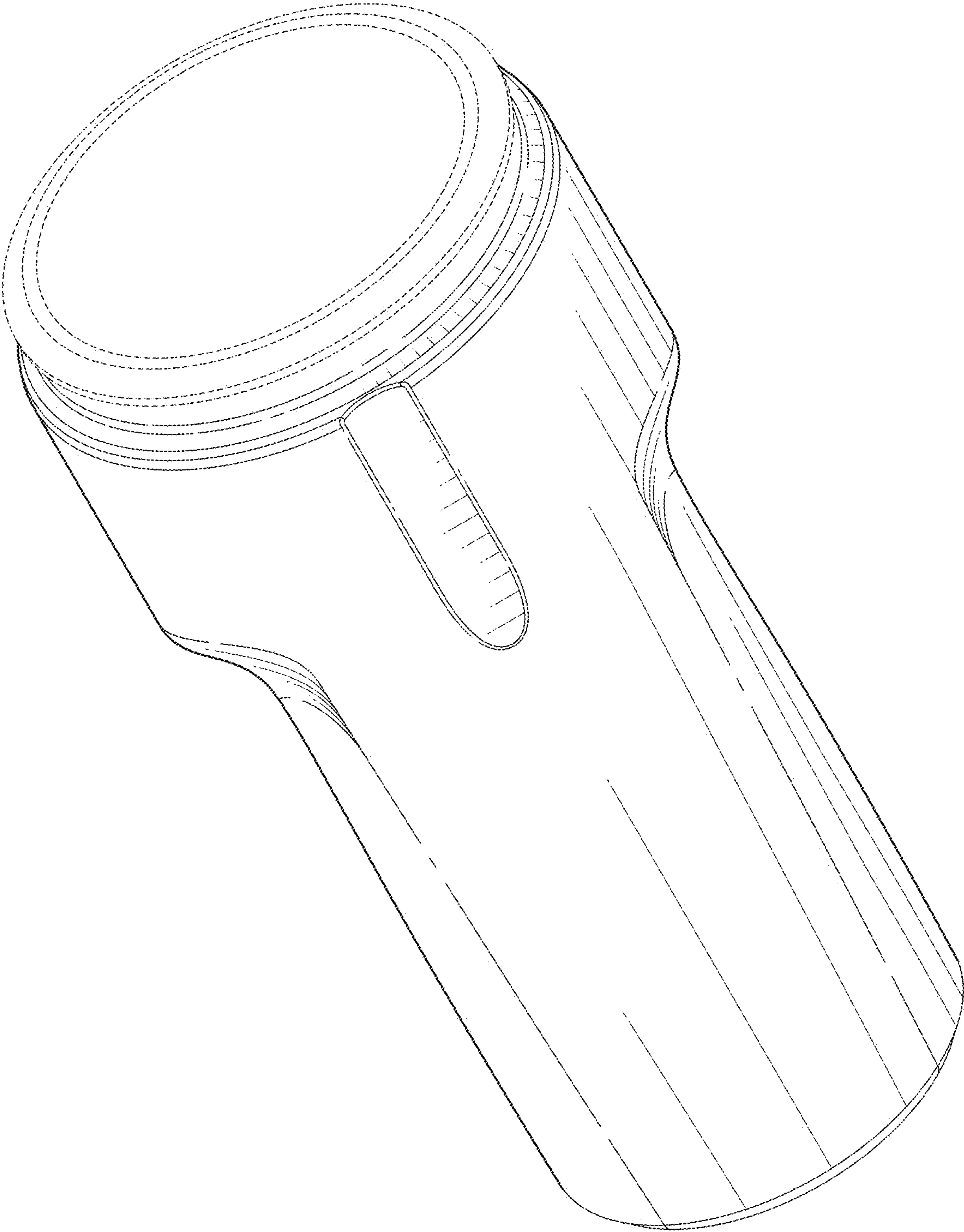


FIG. 9

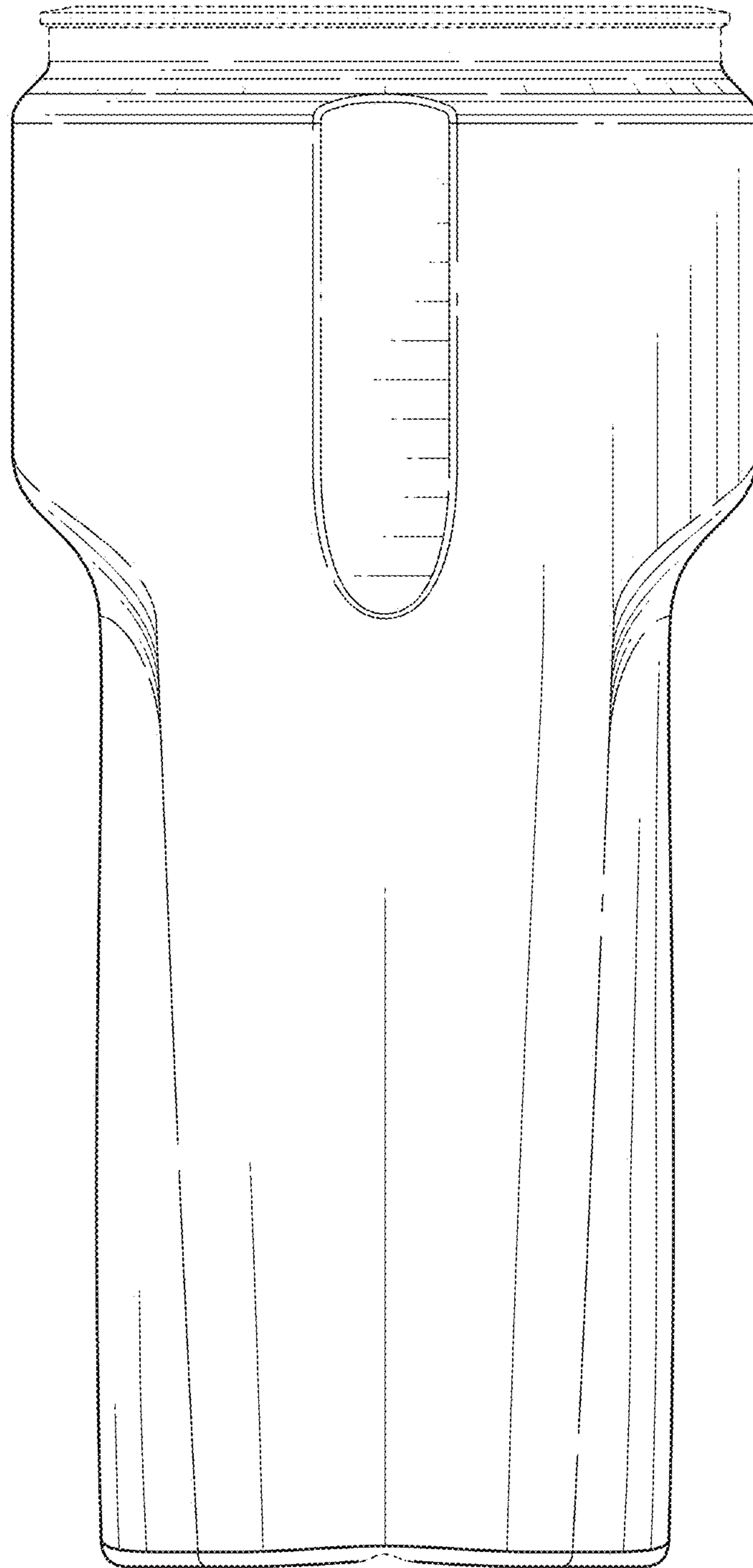


FIG. 10