



US00D874284S

(12) **United States Design Patent**
Palmer et al.

(10) **Patent No.:** **US D874,284 S**

(45) **Date of Patent:** **** Feb. 4, 2020**

(54) **CONTAINER**

(71) Applicants: **Milacron LLC**, Cincinnati, OH (US);
Consolidated Container Company LP,
Atlanta, GA (US)

(72) Inventors: **Joe Palmer**, Marietta, GA (US); **James Janeczek**, Tecumseh, MI (US); **Grover Manderfield**, Marietta, GA (US)

(73) Assignees: **Milacron LLC**, Cincinnati, OH (US);
Consolidated Container Company LP,
Atlanta, GA (US)

(**) Term: **15 Years**

(21) Appl. No.: **29/681,894**

(22) Filed: **Feb. 28, 2019**

(51) **LOC (12) Cl.** **09-01**

(52) **U.S. Cl.**

USPC **D9/531**; D9/520; D9/540; D9/550

(58) **Field of Classification Search**

USPC D9/434, 516, 520, 522, 528, 530-531,
D9/537-538, 540-541, 548-550, 575,
D9/715, 719; D23/225

CPC B65D 1/00; B65D 1/02; B65D 1/0223;
B65D 23/00; B65D 23/10; B65D 23/102;
B65D 2501/00; B65D 2501/0009; B65D
2501/0081

See application file for complete search history.

(56) **References Cited**

U.S. PATENT DOCUMENTS

D195,697 S *	7/1963	Price	D9/531
D197,190 S *	12/1963	Natale et al.	D9/531
D201,051 S *	5/1965	Shepler	D9/531
D201,103 S *	5/1965	Caisse	D9/531
D203,560 S *	1/1966	Erickson	D9/531
D204,701 S *	5/1966	Shepler	D9/531
D208,824 S *	10/1967	Platte	D9/531
D215,410 S *	9/1969	Hills	D9/531

D250,995 S *	2/1979	Beaver	D9/528
4,372,455 A	2/1983	Cochran	
D309,421 S *	7/1990	Aldrich, III	D9/528
4,964,522 A	10/1990	Umetsu et al.	
D348,612 S	7/1994	Ring	

(Continued)

FOREIGN PATENT DOCUMENTS

WO WO 1998/033712 A1 8/1998

Primary Examiner — Dana Meyrow

(74) *Attorney, Agent, or Firm* — Alston & Bird LLP

(57) **CLAIM**

The ornamental design for a container, as shown and described.

DESCRIPTION

FIG. 1 is a rear, right, top perspective view of a container according to one exemplary embodiment of the present design.

FIG. 2 is a rear, right, bottom perspective view of the container of FIG. 1.

FIG. 3 is a front view the container of FIG. 1.

FIG. 4 is a rear view of the container of FIG. 1.

FIG. 5 is a right side view of the container of FIG. 1.

FIG. 6 is a left side view of the container of FIG. 1.

FIG. 7 is a top view of the container of FIG. 1.

FIG. 8 is a bottom view of the container of FIG. 1.

FIG. 9 is a rear, right, top perspective view of a container according to another exemplary embodiment of the present design.

FIG. 10 is a rear, right, bottom perspective view of the container of FIG. 9.

FIG. 11 is a front view the container of FIG. 9.

FIG. 12 is a rear view of the container of FIG. 9.

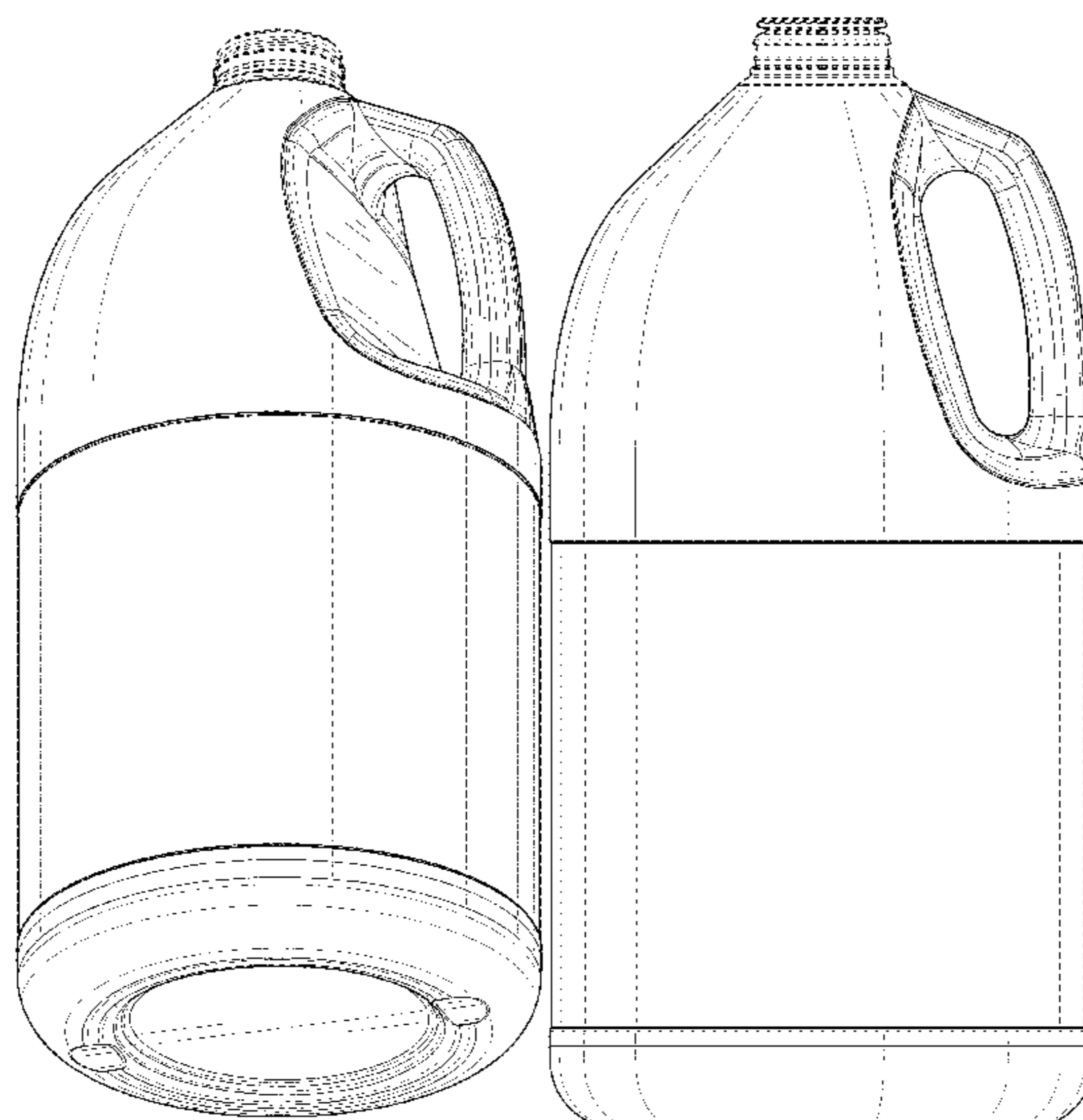
FIG. 13 is a right side view of the container of FIG. 9.

FIG. 14 is a left side view of the container of FIG. 9.

FIG. 15 is a top view of the container of FIG. 9; and,

FIG. 16 is a bottom view of the container of FIG. 9.

1 Claim, 16 Drawing Sheets



(56)

References Cited

U.S. PATENT DOCUMENTS

5,833,115	A	11/1998	Eiten	
6,068,161	A	5/2000	Soehnlen et al.	
D427,076	S	6/2000	Ankney et al.	
6,237,792	B1	5/2001	Skolnicki et al.	
D470,417	S *	2/2003	Anderson	D9/531
6,527,133	B1	3/2003	McCollum et al.	
6,588,612	B1	7/2003	Dorn et al.	
D485,497	S	1/2004	Steele, IV et al.	
D488,721	S	4/2004	Peronek	
6,889,858	B2	5/2005	McCollum et al.	
7,059,486	B2	6/2006	Van Der Heijden et al.	
D593,863	S	6/2009	Fahy	
7,699,171	B2	4/2010	Rivera et al.	
8,047,392	B2	11/2011	Eiten et al.	
D662,421	S	6/2012	Dorn	
D678,072	S	3/2013	Lobbestael et al.	
D685,641	S *	7/2013	Tomkins	D9/528
D686,080	S *	7/2013	Tomkins	D9/528
8,893,908	B2	11/2014	Treece et al.	
9,981,768	B1	5/2018	Palmer et al.	
D823,690	S	7/2018	Palmer et al.	
D823,691	S	7/2018	Palmer et al.	
2003/0006210	A1	1/2003	Iizuka et al.	
2003/0155324	A1	8/2003	McCollum et al.	
2003/0230545	A1	12/2003	Mount et al.	
2004/0094502	A1	5/2004	Boukobza	
2005/0082251	A1	4/2005	Darr et al.	
2006/0260971	A1	11/2006	Rivera et al.	
2007/0023384	A1	2/2007	Janeczek	
2010/0089863	A1	4/2010	Matsuoka	
2011/0132863	A1	6/2011	Dorn	
2012/0241405	A1	9/2012	Lobbestael et al.	
2013/0001234	A1	1/2013	Glover	
2016/0272356	A1	9/2016	Simpson et al.	

* cited by examiner

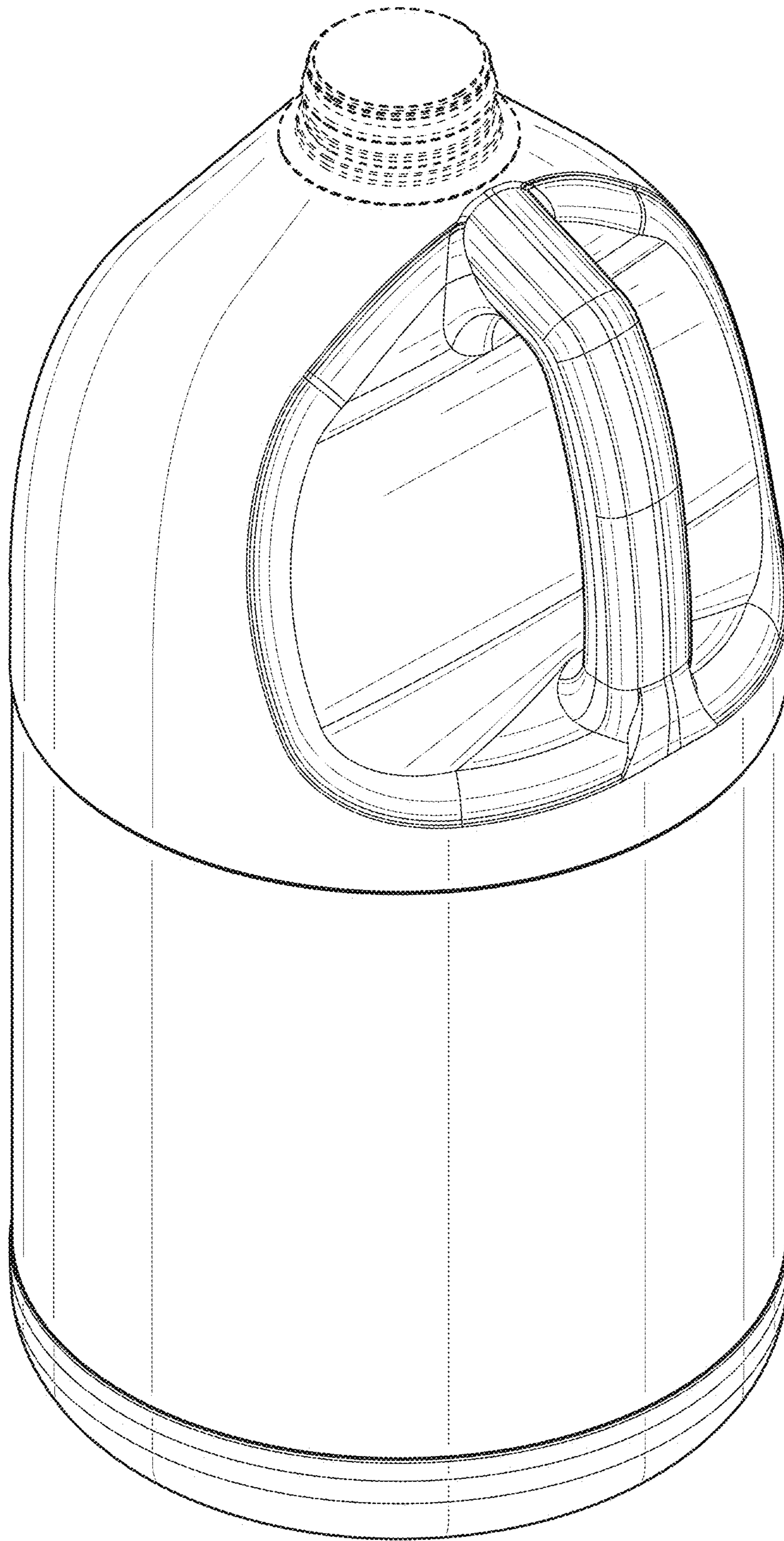


FIG. 1

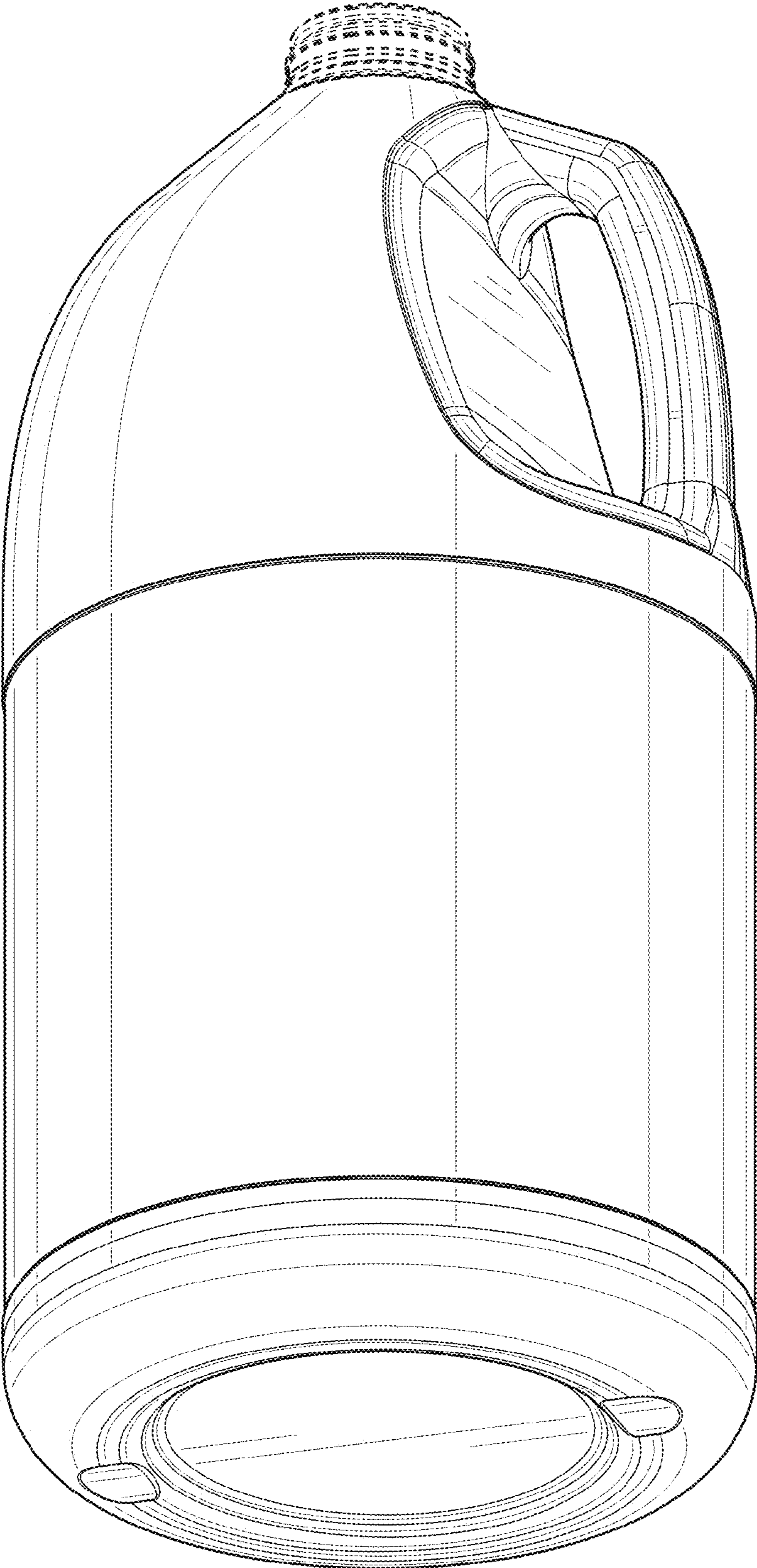


FIG. 2

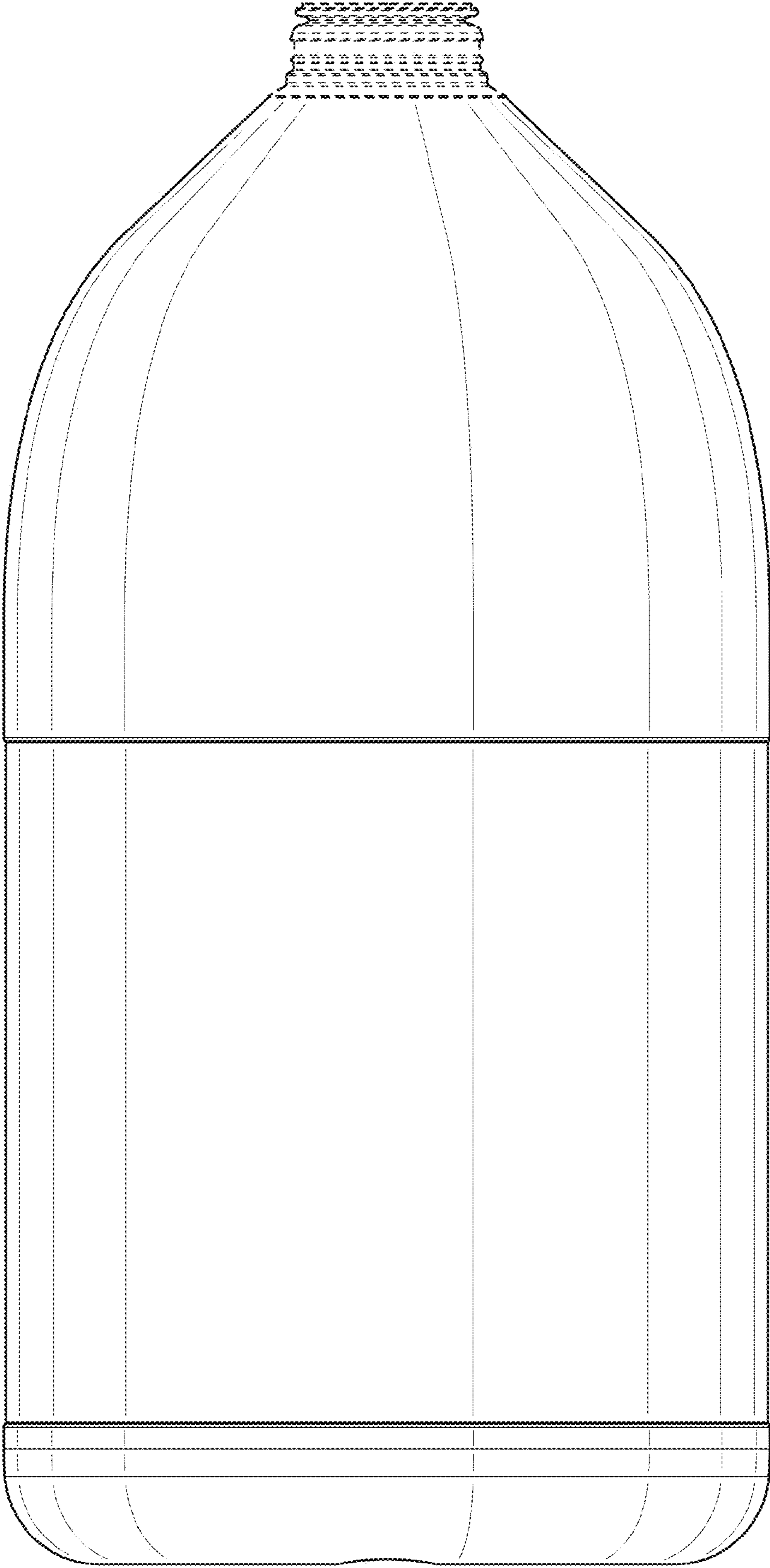


FIG. 3

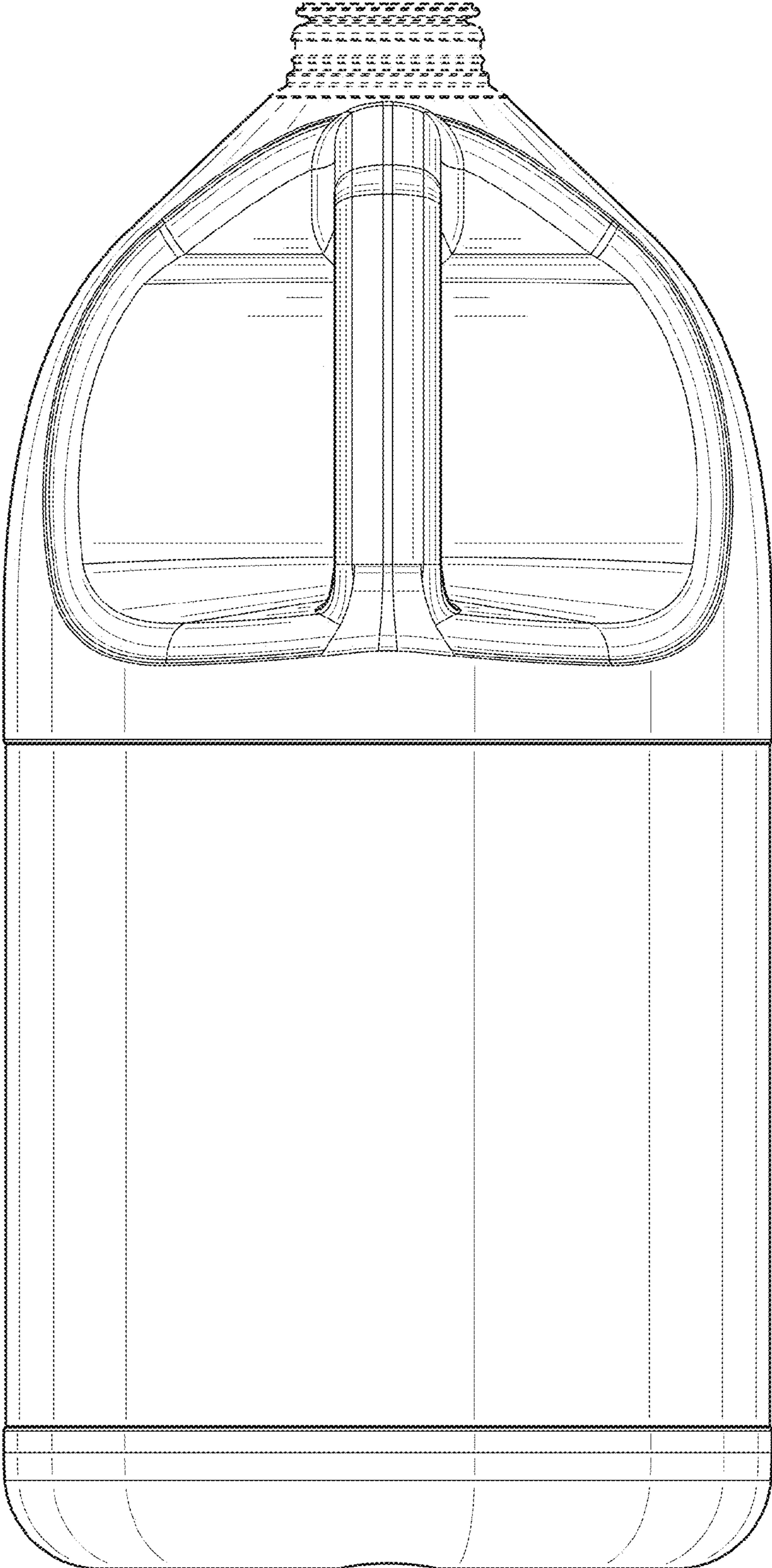


FIG. 4

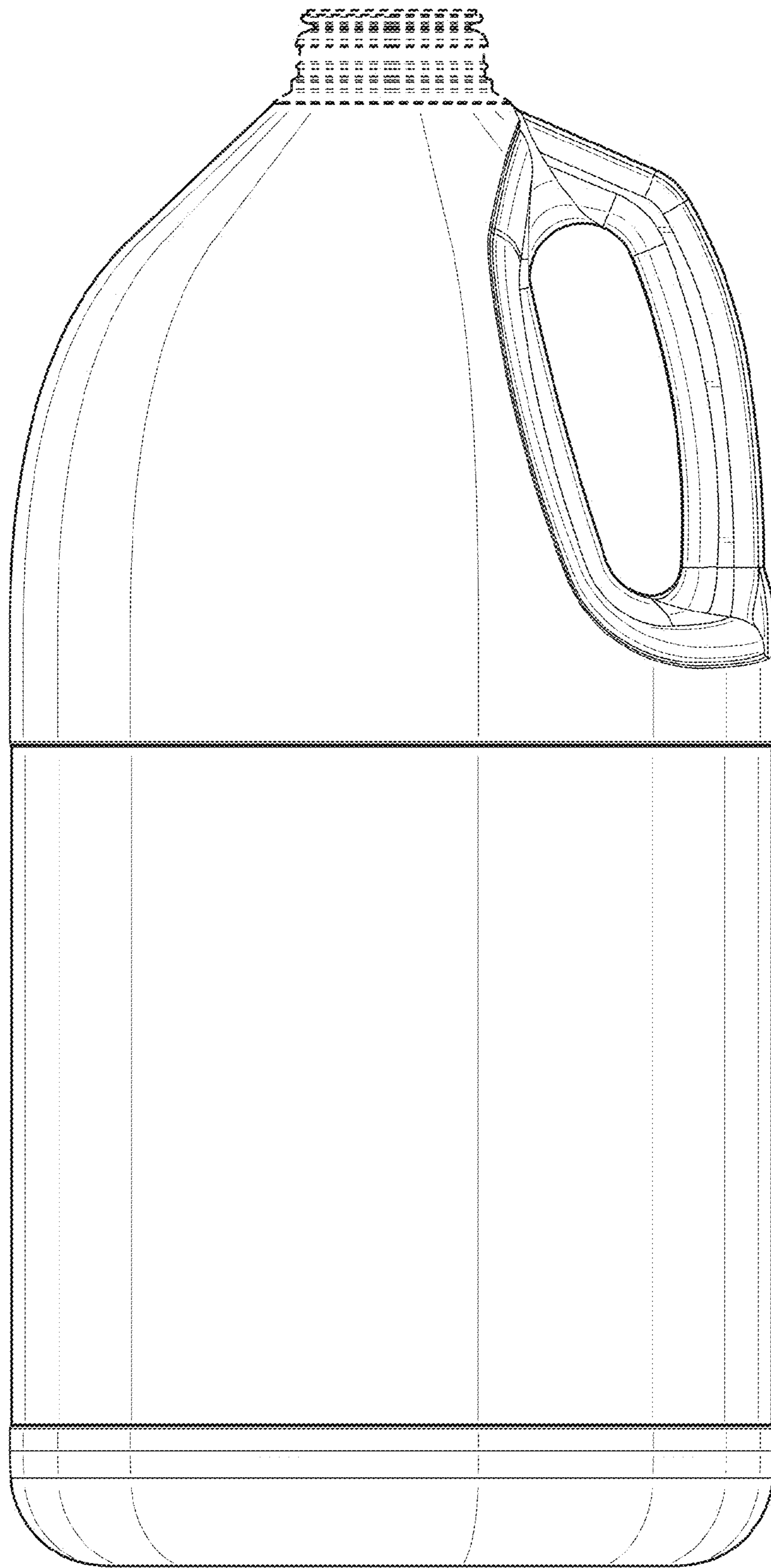


FIG. 5

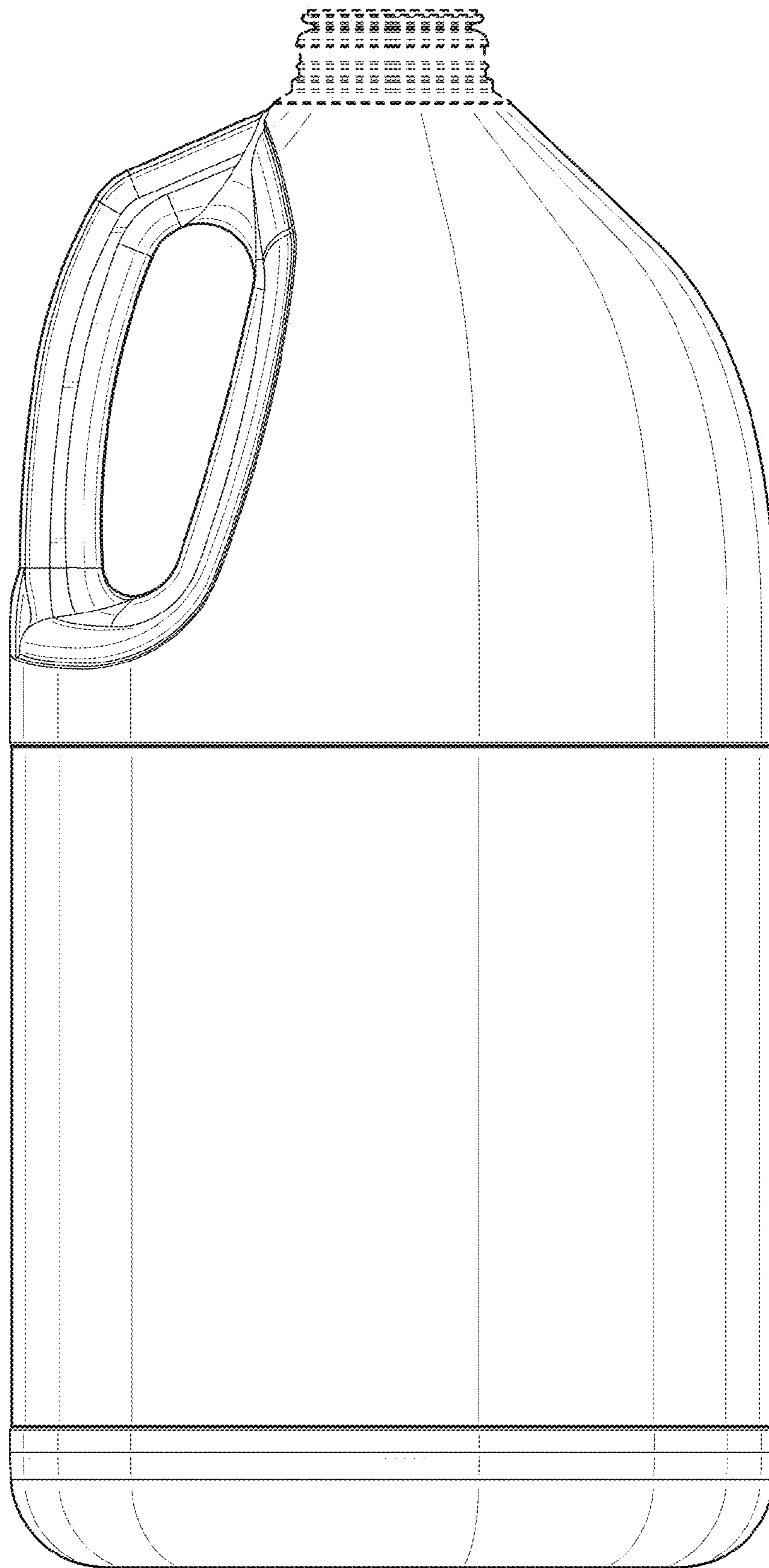


FIG. 6

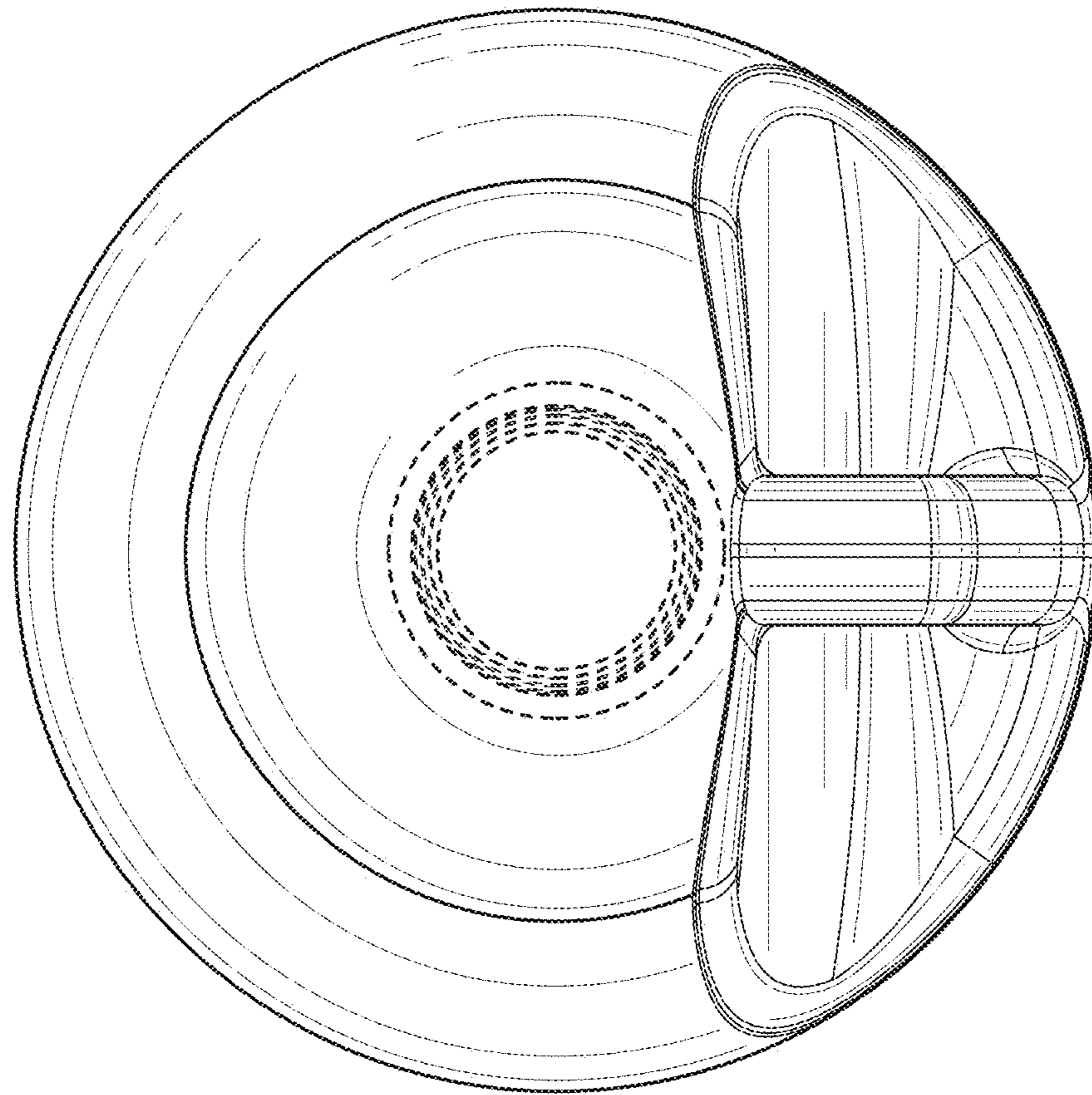


FIG. 7

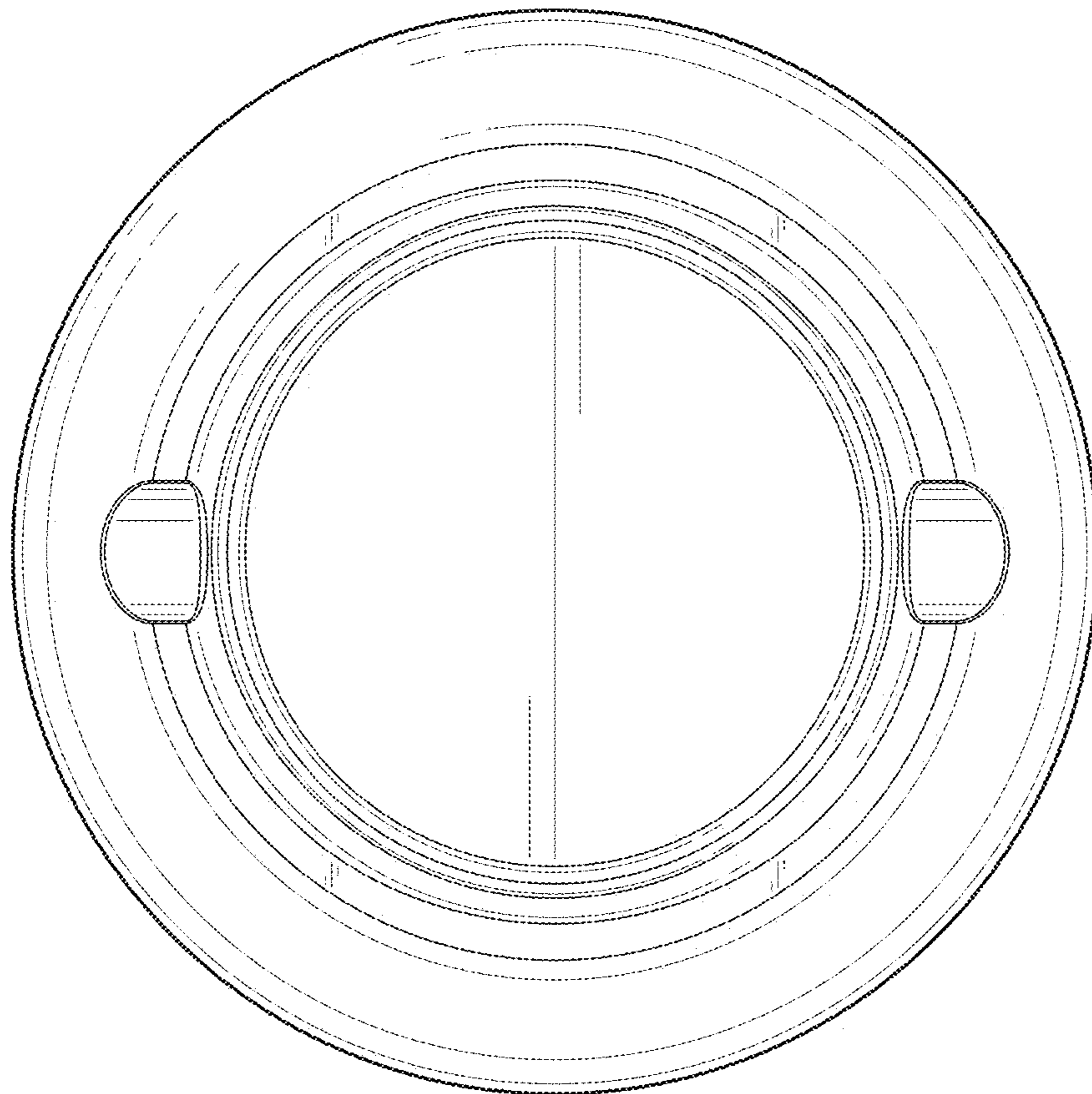


FIG. 8

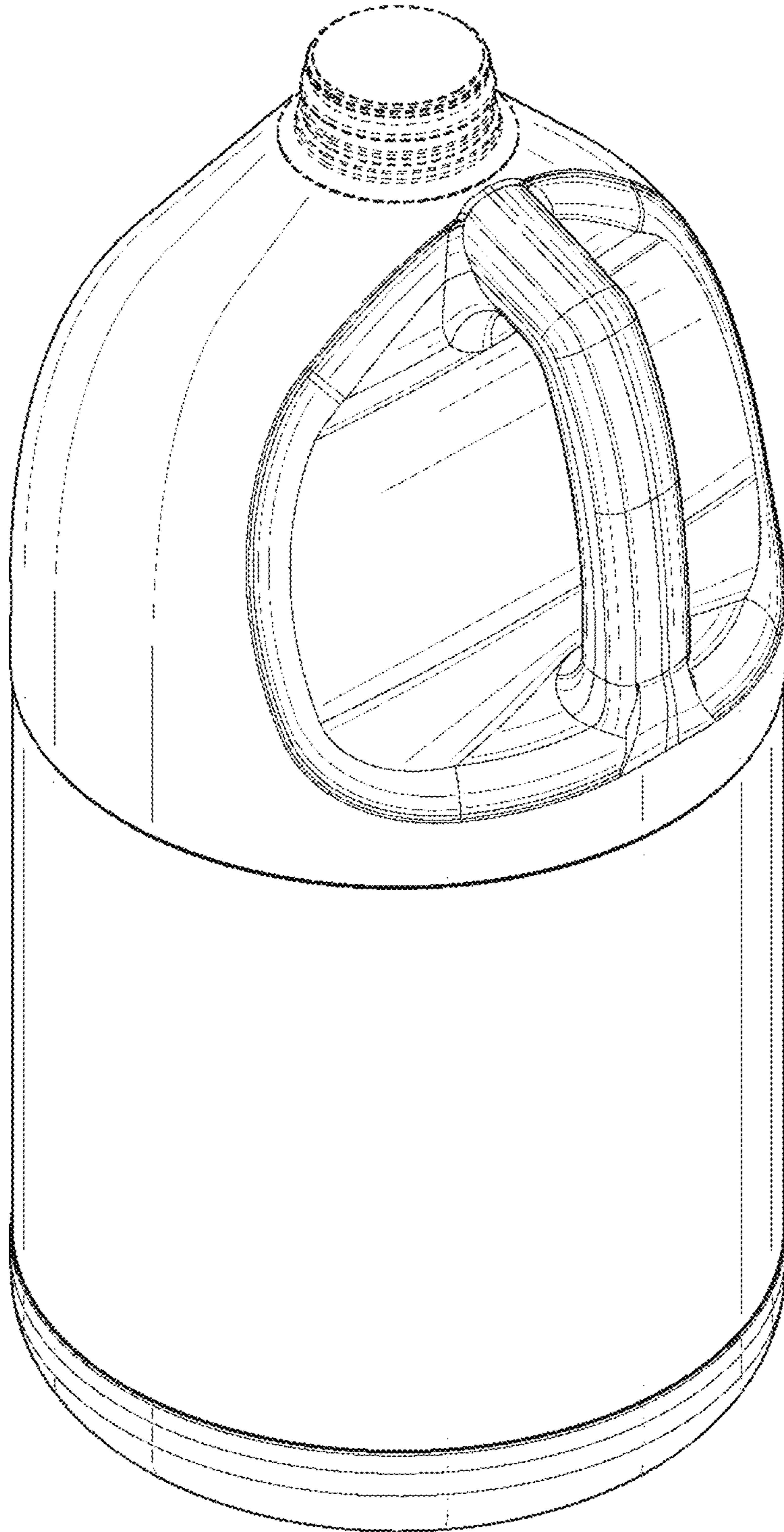


FIG. 9

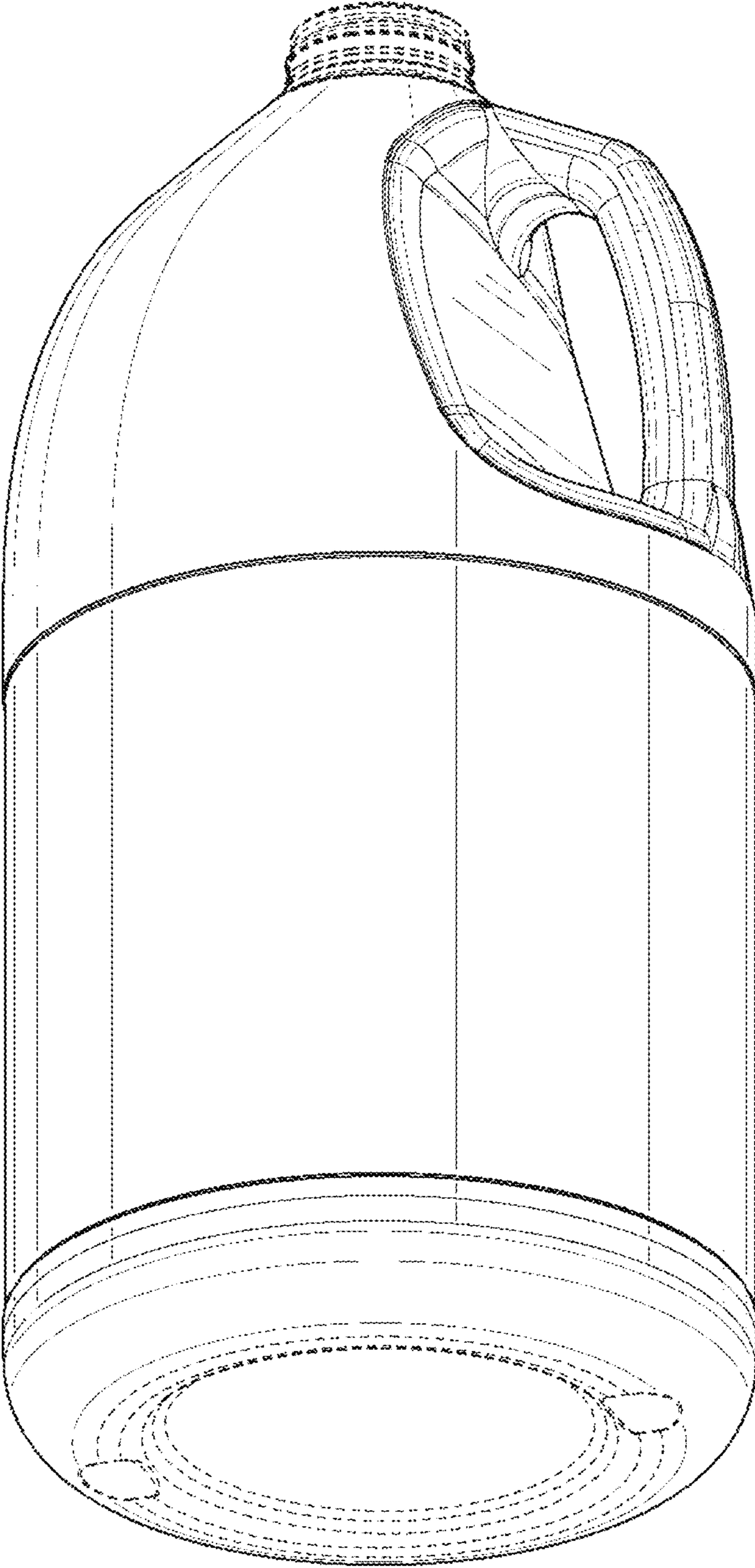


FIG. 10

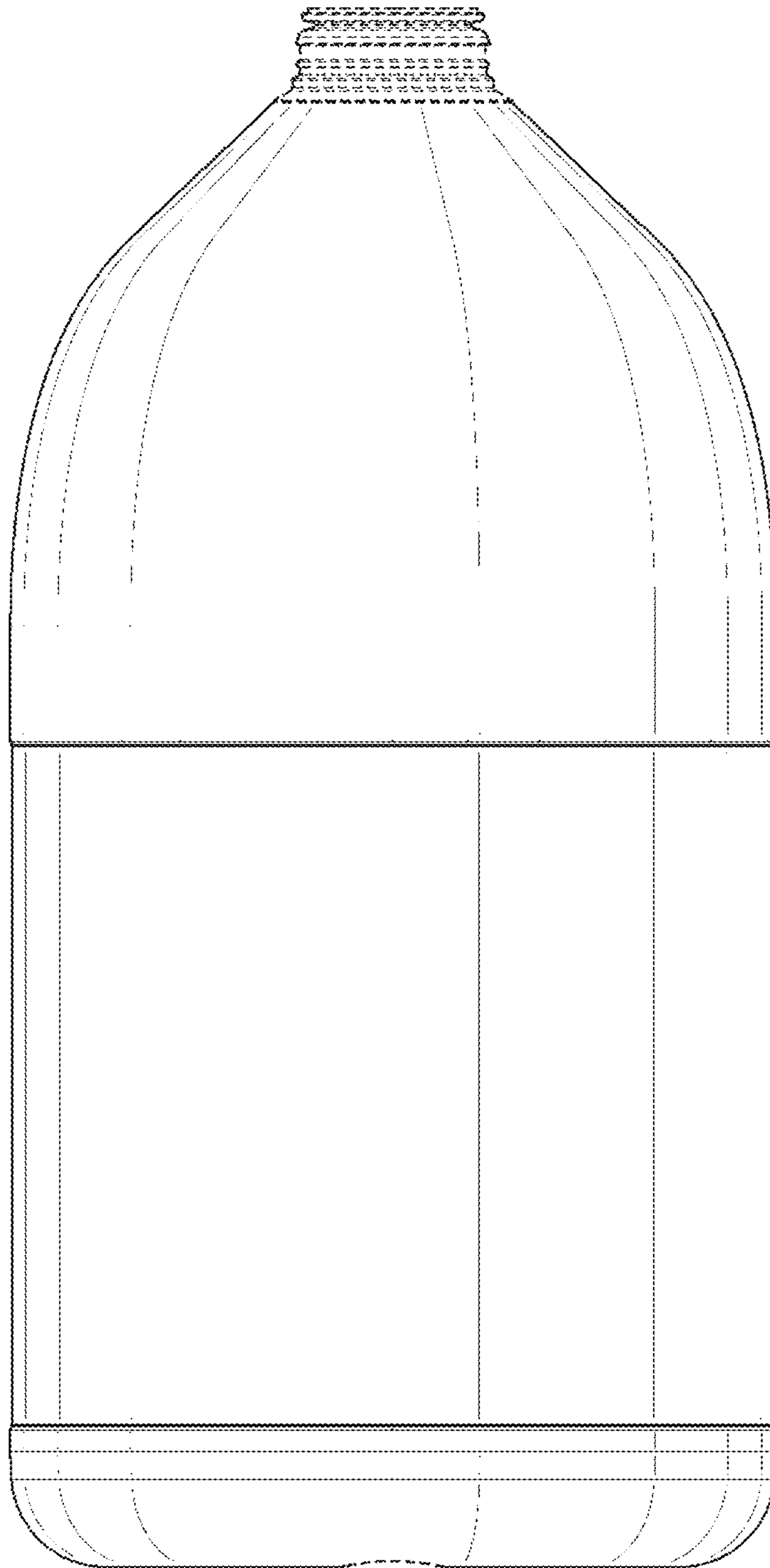


FIG. 11

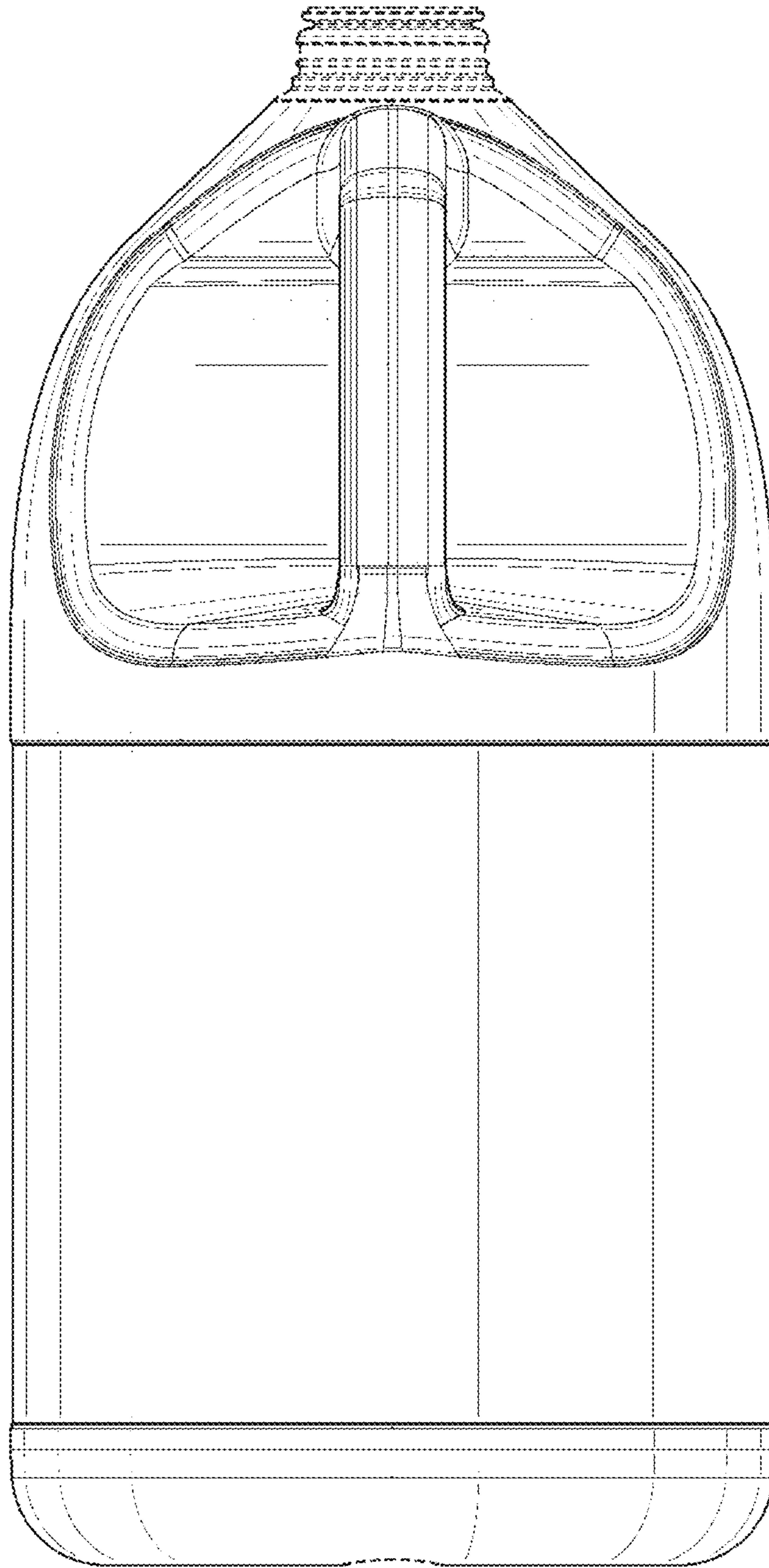


FIG. 12

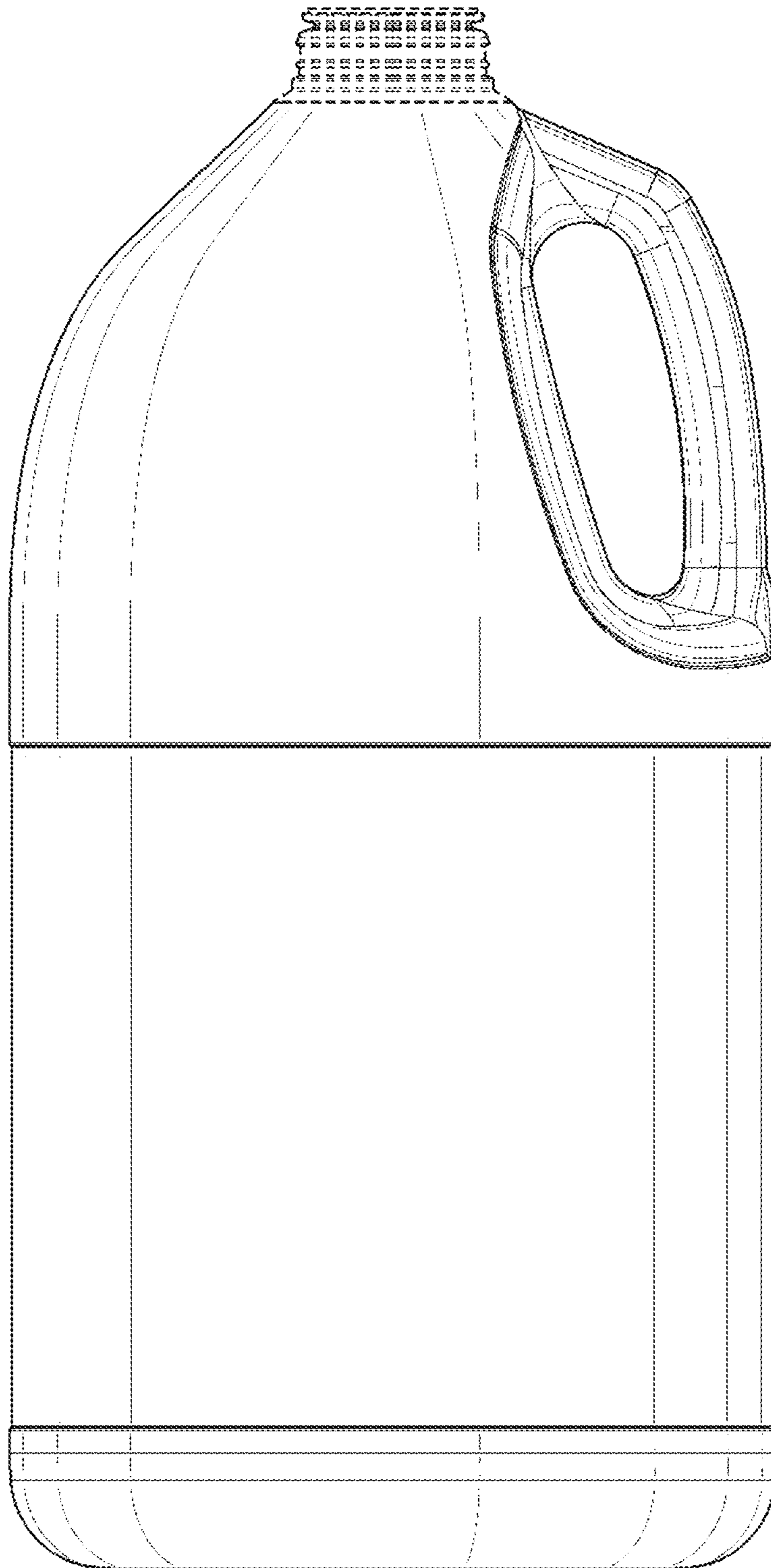


FIG. 13

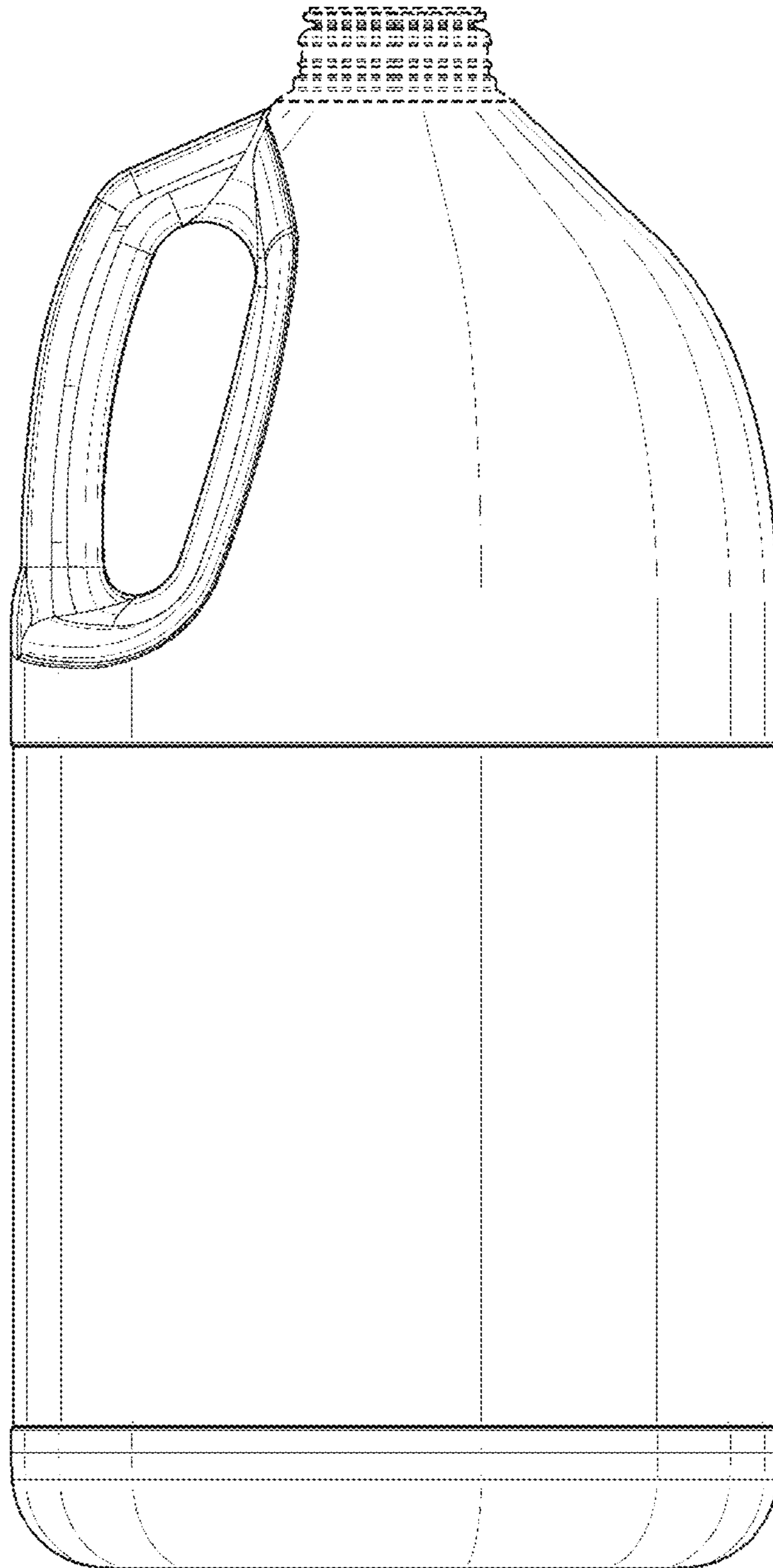


FIG. 14

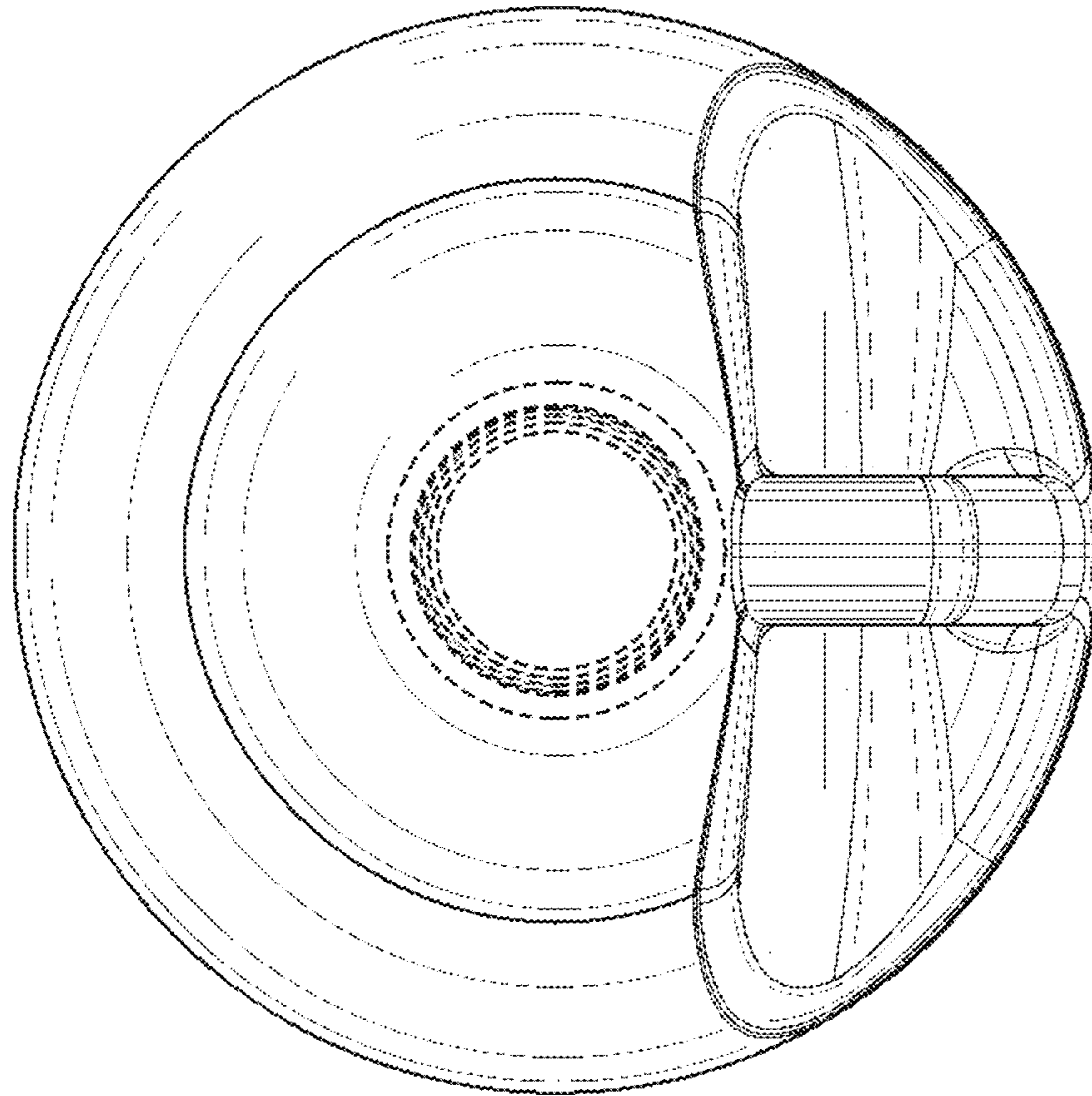


FIG. 15

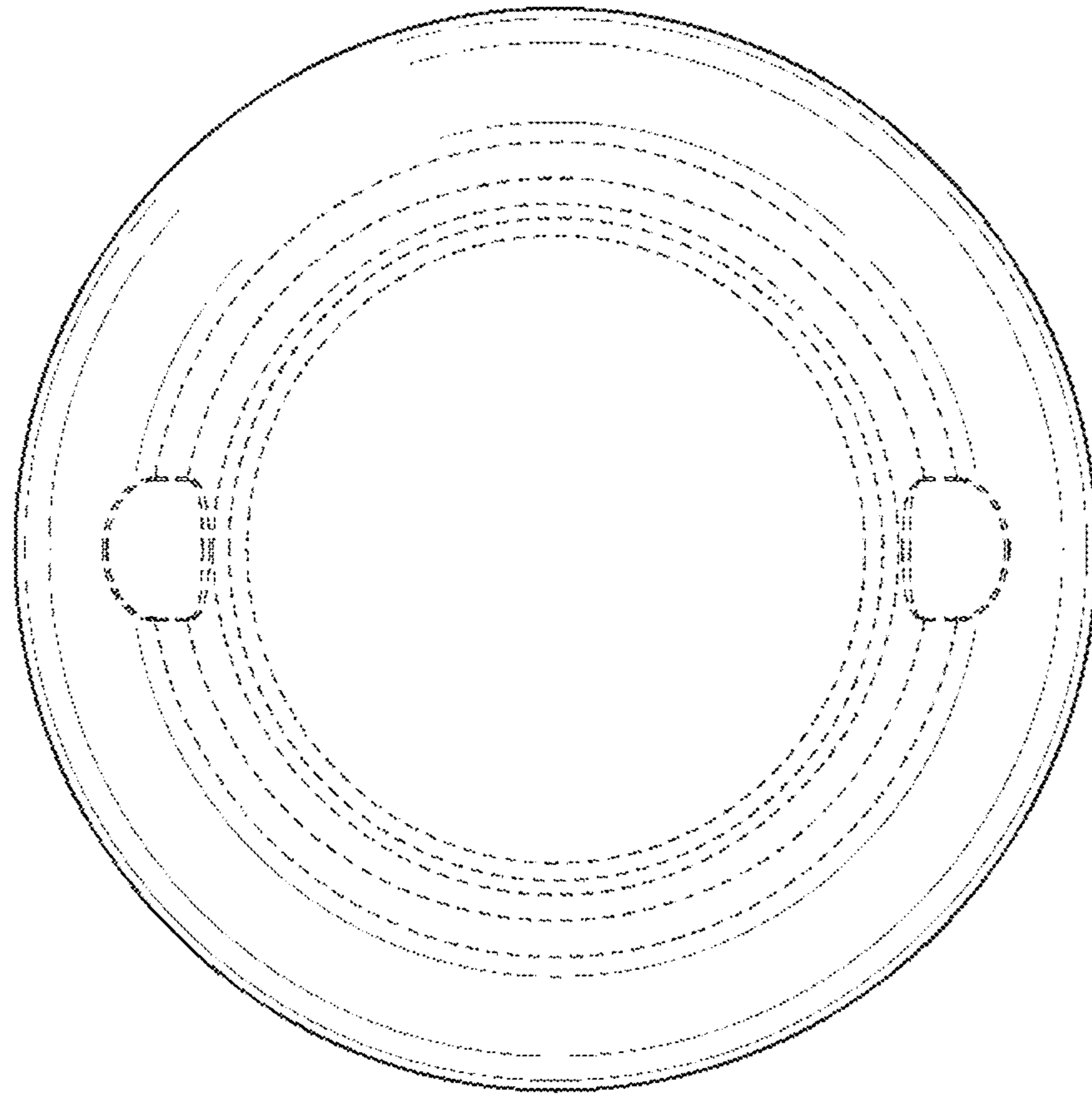


FIG. 16