



US00D874281S

(12) **United States Design Patent** (10) **Patent No.:** **US D874,281 S**  
**Paredes et al.** (45) **Date of Patent:** **\*\* Feb. 4, 2020**

(54) **BOTTLE**

FOREIGN PATENT DOCUMENTS

(71) Applicant: **Owens-Brockway Glass Container Inc.**, Perrysburg, OH (US)

DM 072412 9/2009  
DM 074828 12/2010

(Continued)

(72) Inventors: **Raul M. Paredes**, Perrysburg, OH (US); **Douglas Laib**, Perrysburg, OH (US); **Mindy Paige**, Wauseon, OH (US)

*Primary Examiner* — Dana Meyrow

(57) **CLAIM**

We claim an ornamental design for a bottle, as shown and described.

(73) Assignee: **Owens-Brockway Glass Container Inc.**, Perrysburg, OH (US)

**DESCRIPTION**

(\*\*) Term: **15 Years**

FIG. 1 is a front elevational view of a bottle in accordance with a first illustrative embodiment of our new design.

(21) Appl. No.: **29/645,368**

FIG. 2 is a perspective view of the bottle in FIG. 1.

(22) Filed: **Apr. 25, 2018**

FIG. 3 is a top plan view of the bottle in FIGS. 1 and 2, the bottle neck forming no part of the claimed design.

**Related U.S. Application Data**

(62) Division of application No. 29/516,256, filed on Jan. 30, 2015, now Pat. No. Des. 818,825, which is a (Continued)

FIG. 4 is a front elevational view of a bottle in accordance with a second illustrative embodiment of our new design.

(51) **LOC (12) Cl.** ..... **09-01**

FIG. 5 is a perspective view of the bottle in FIG. 4.

(52) **U.S. Cl.**

USPC ..... **D9/500**; D9/516

FIG. 6 is a top plan view of the bottle in FIGS. 4 and 5, the bottle neck forming no part of the claimed design.

(58) **Field of Classification Search**

USPC ..... D9/500, 502–505, 516, 537–540, 545, D9/549, 558, 682, 686, 688–691, 529, (Continued)

FIG. 7 is a front elevational view of a bottle in accordance with a third illustrative embodiment of our new design.

(56) **References Cited**

**U.S. PATENT DOCUMENTS**

D52,423 S 9/1910 Anderson  
D58,203 S 6/1921 Anderson

(Continued)

FIG. 8 is a perspective view of the bottle in FIG. 7.

FIG. 9 is a top plan view of the bottle in FIGS. 7 and 8.

FIG. 10 is a bottom plan view of the bottle in FIGS. 7-9, the bottle bottom forming no part of the claimed design.

FIG. 11 is a front elevational view of a bottle in accordance with a fourth illustrative embodiment of our new design.

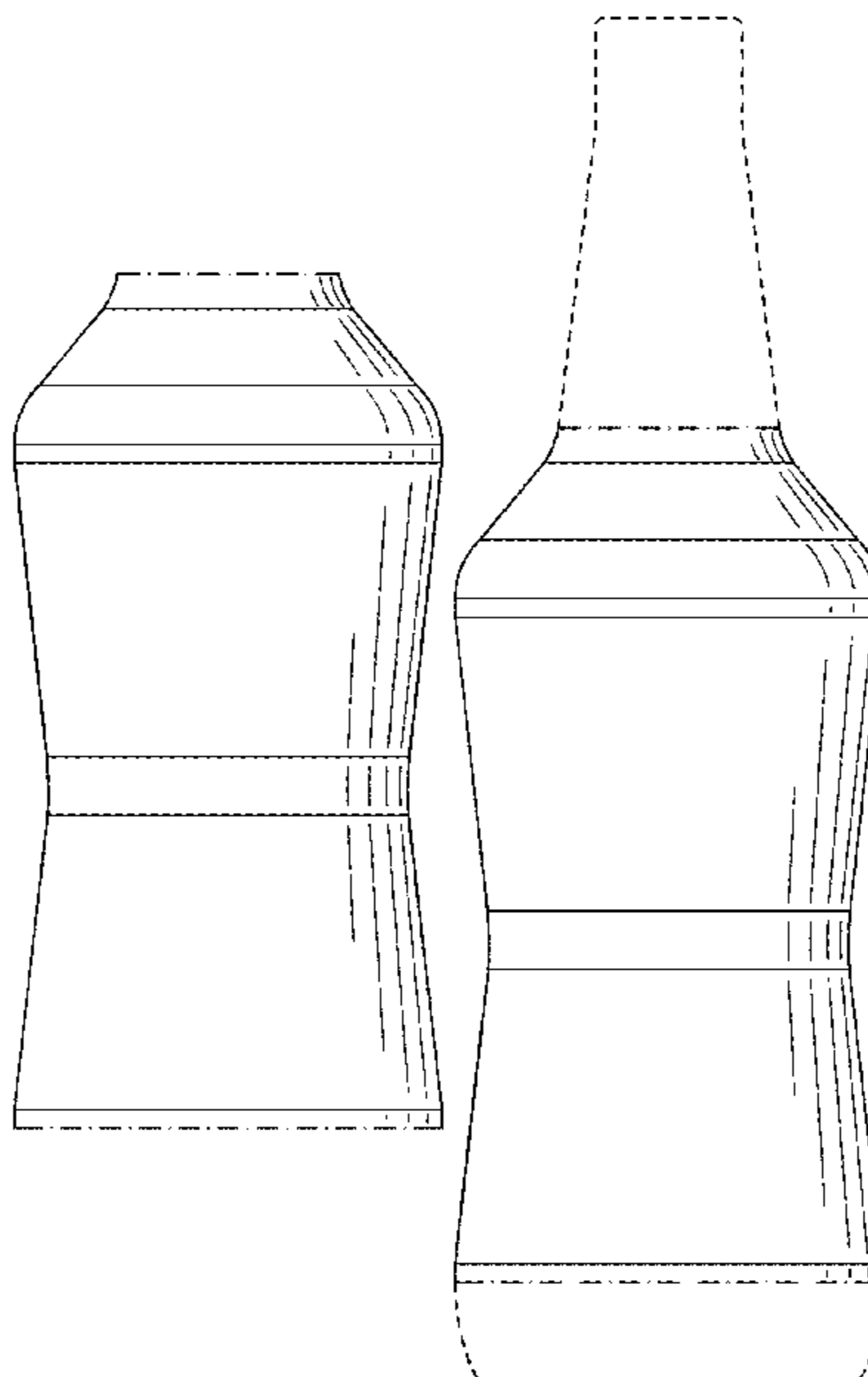
FIG. 12 is a perspective view of the bottle in FIG. 11.

FIG. 13 is a top plan view of the bottle in FIGS. 11 and 12; and,

FIG. 14 is a bottom plan view of the bottle in FIGS. 11-13, the bottle bottom forming no part of the claimed design.

The evenly-dashed broken lines in the drawings illustrate the portions of the design that form no part of the claim. The dot-dash broken lines in the drawings define the bounds of the claim and form no part thereof.

**1 Claim, 4 Drawing Sheets**



**Related U.S. Application Data**

division of application No. 29/482,497, filed on Feb. 19, 2014, now Pat. No. Des. 726,539, which is a division of application No. 29/453,870, filed on May 3, 2013, now Pat. No. Des. 703,538.

(58) **Field of Classification Search**

USPC ..... D9/530, 541, 544, 685, 715, 719, 724, D9/763-764, 772; 215/379, 381-384; 220/660, 669-673, 675; D7/300, 300.1, D7/598; D24/197  
CPC ... B65D 1/00; B65D 1/02; B65D 1/12; B65D 1/14; B65D 1/16; B65D 1/165; B65D 23/00; B65D 81/00; B65D 2501/00; B65D 2501/0009

See application file for complete search history.

(56) **References Cited**

U.S. PATENT DOCUMENTS

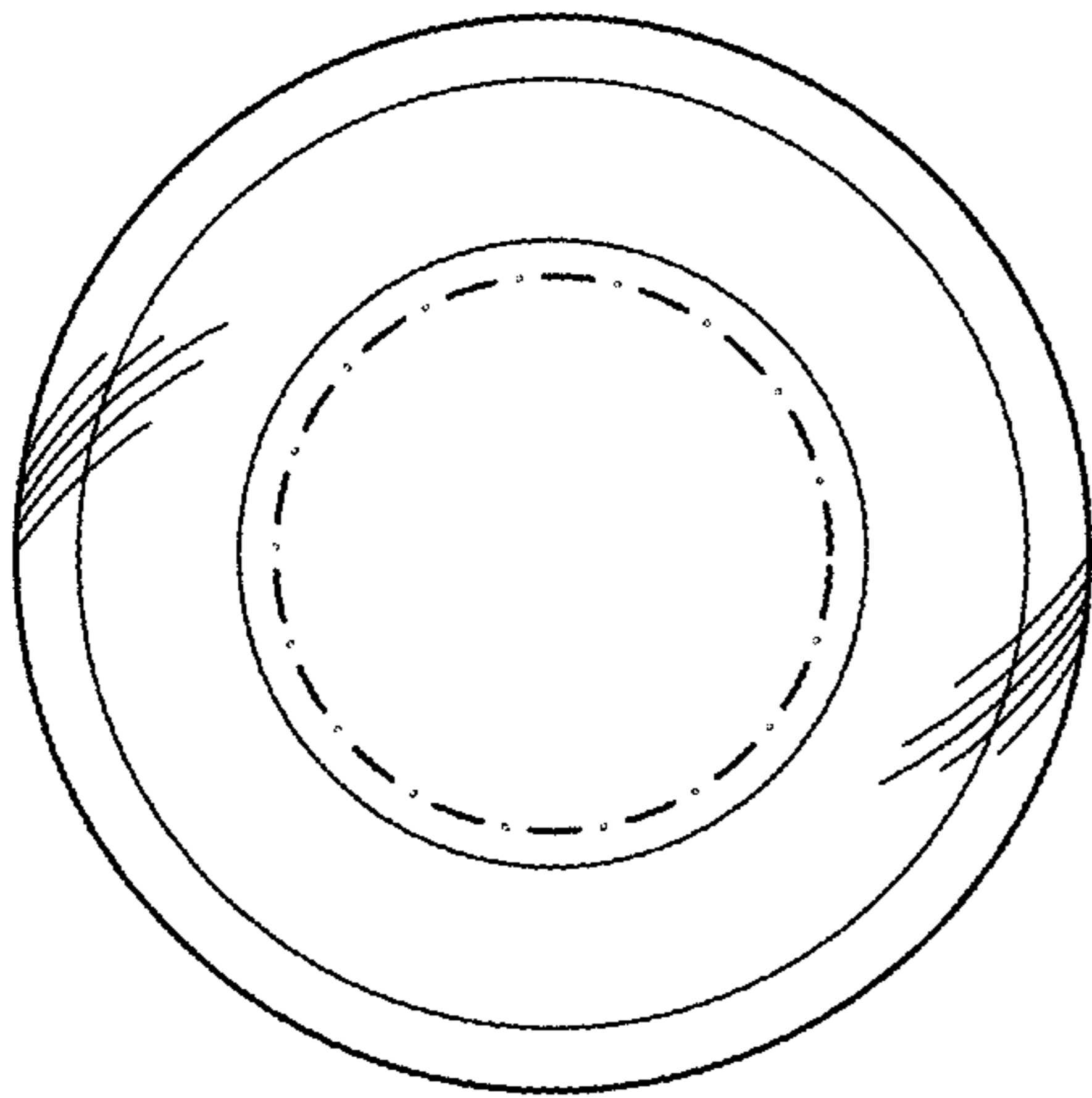
D85,233 S 9/1931 Fuerst  
D131,470 S 3/1942 Key  
D191,888 S 12/1961 Pettengill  
D193,032 S 6/1962 Waser  
D196,389 S 9/1963 Mason et al.  
D217,585 S 5/1970 Lamblet  
D231,087 S 4/1974 Edwards et al.  
3,823,032 A 7/1974 Ukai  
D272,990 S 3/1984 Strand  
5,158,190 A 10/1992 Sosenko  
D419,452 S 1/2000 DeVore  
D430,803 S 9/2000 Reis et al.  
D434,669 S 12/2000 Albright et al.  
D455,324 S \* 4/2002 Wright ..... D7/679  
D478,669 S 8/2003 Wear  
D510,270 S 10/2005 Khalifa  
D528,000 S 9/2006 Davis et al.  
D531,903 S 11/2006 Haubein  
D535,563 S 1/2007 Martin  
D536,616 S 2/2007 Rubin et al.  
D538,658 S 3/2007 Horne et al.  
D539,163 S 3/2007 Kiernan et al.  
D543,846 S 6/2007 Kitamura et al.  
D545,194 S 6/2007 Goudsblom  
D550,558 S 9/2007 Van Besien et al.  
D559,694 S 1/2008 Le Bras-Brown et al.  
D564,892 S 3/2008 di Robilant et al.

D572,589 S 7/2008 Coulis et al.  
D590,267 S 4/2009 Oommen et al.  
D608,642 S 1/2010 Black  
D613,175 S 4/2010 Delbon  
D616,261 S \* 5/2010 Lundstrom ..... D7/679  
D620,361 S 7/2010 Scott  
D620,800 S 8/2010 Thielman et al.  
D621,709 S 8/2010 Minakuchi  
D633,793 S 3/2011 Reagan et al.  
D634,206 S 3/2011 Eisen  
D639,659 S 6/2011 Biondich et al.  
D642,475 S 8/2011 Crutchley et al.  
D642,926 S 8/2011 Jamieson et al.  
D644,927 S 9/2011 White et al.  
D646,977 S 10/2011 Martin  
D647,405 S 10/2011 Lauret  
D652,723 S 1/2012 Reisig  
D655,610 S 3/2012 Rice et al.  
D658,995 S 5/2012 Potts  
D663,625 S 7/2012 Warneke et al.  
D664,439 S 7/2012 Malm  
D666,914 S 9/2012 Elstow et al.  
D667,729 S 9/2012 Nutley et al.  
D676,327 S 2/2013 Rice et al.  
D676,751 S 2/2013 Coyne et al.  
D677,169 S 3/2013 Roos et al.  
D684,869 S 6/2013 Pellaud et al.  
D685,653 S \* 7/2013 Mowers ..... D9/734  
D700,517 S 3/2014 Oommen et al.  
D703,048 S 4/2014 Lopez et al.  
D703,049 S 4/2014 Riley et al.  
D703,050 S 4/2014 Lopez et al.  
D703,051 S 4/2014 Riley et al.  
D703,538 S 4/2014 Paredes et al.  
D719,839 S 12/2014 De Carvalho et al.  
D726,539 S 4/2015 Paredes et al.  
D729,579 S 5/2015 Molayem  
D758,137 S \* 6/2016 Soltz ..... D7/608  
9,399,533 B2 7/2016 Paredes et al.  
D766,721 S \* 9/2016 Meador ..... D9/500  
D806,549 S 1/2018 Laib et al.  
D807,178 S \* 1/2018 Laib ..... D9/500  
D814,880 S \* 4/2018 Winter ..... D7/624.2  
D818,825 S \* 5/2018 Paredes ..... D9/500

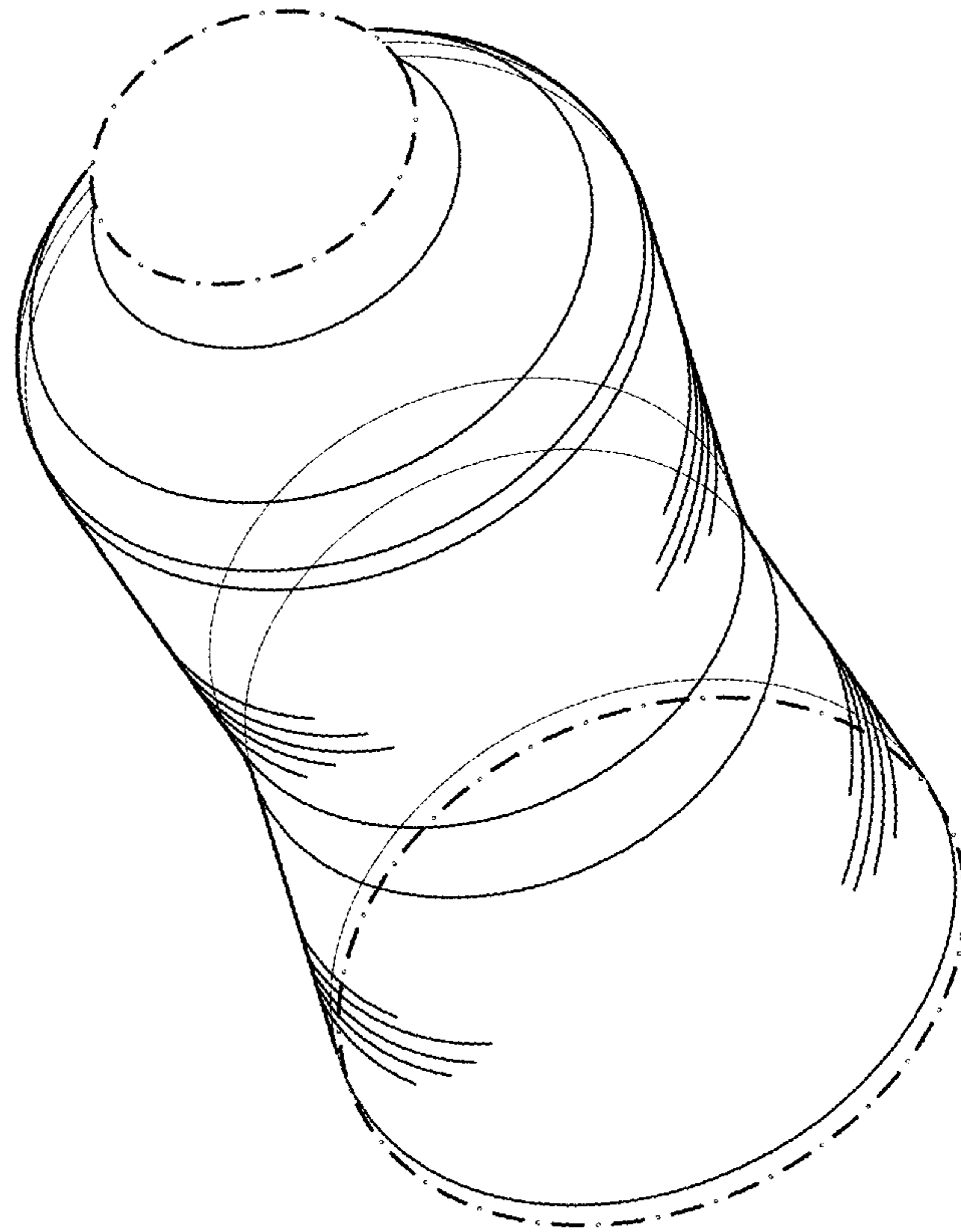
FOREIGN PATENT DOCUMENTS

EM 000289905-0001 5/2005  
EM 000887583-0002 7/2009

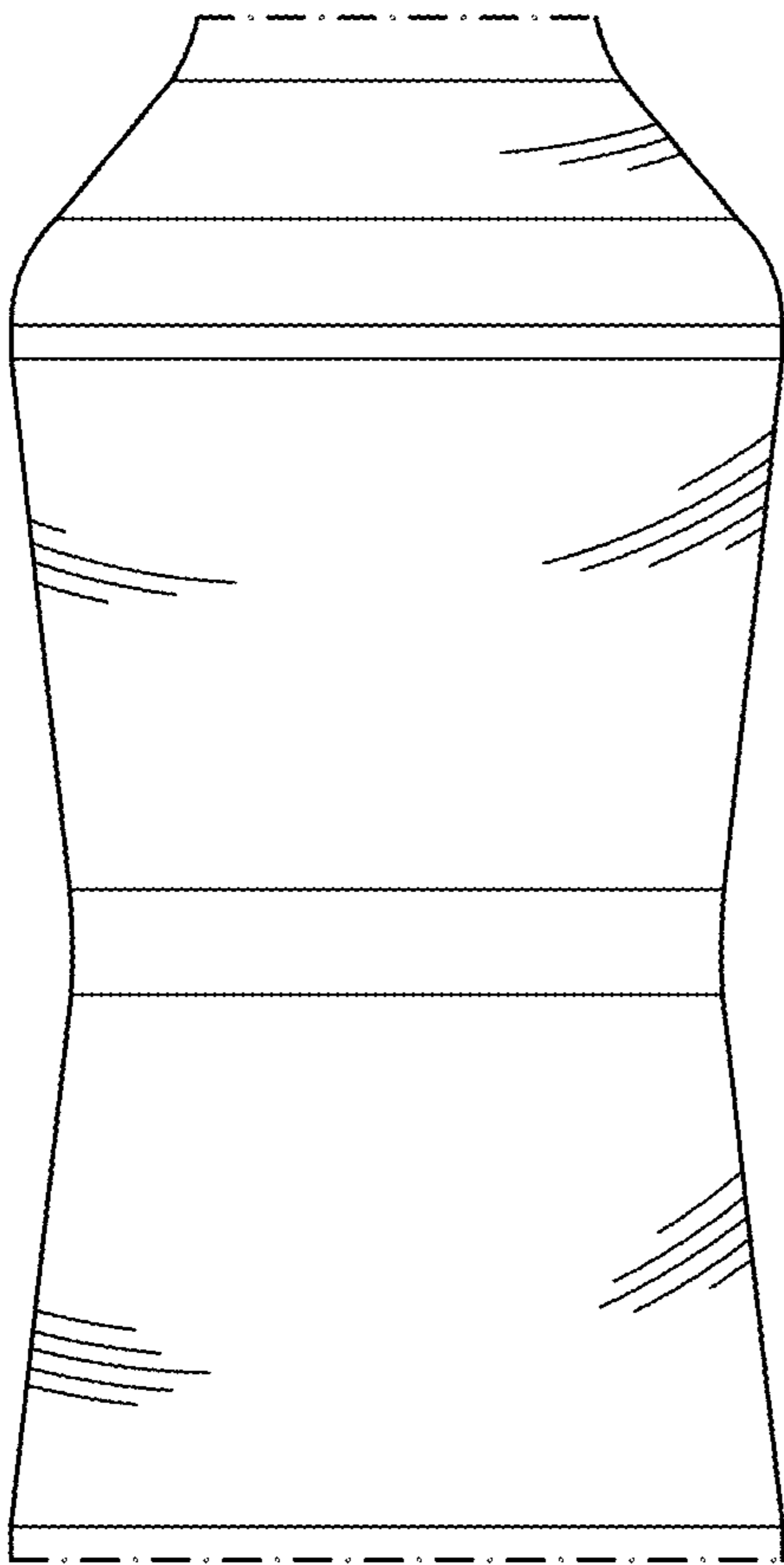
\* cited by examiner



**FIG. 3**

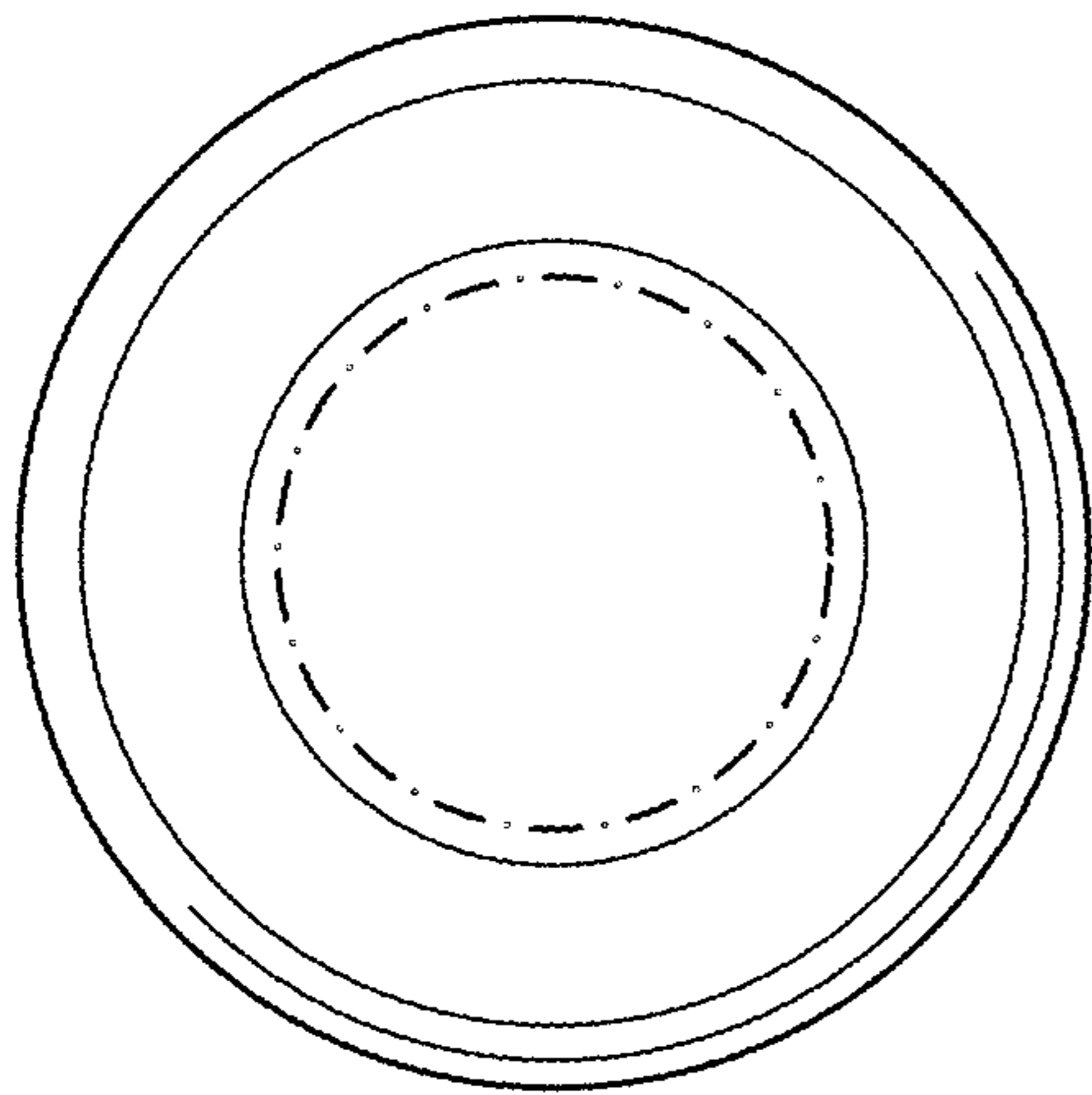


**FIG. 2**

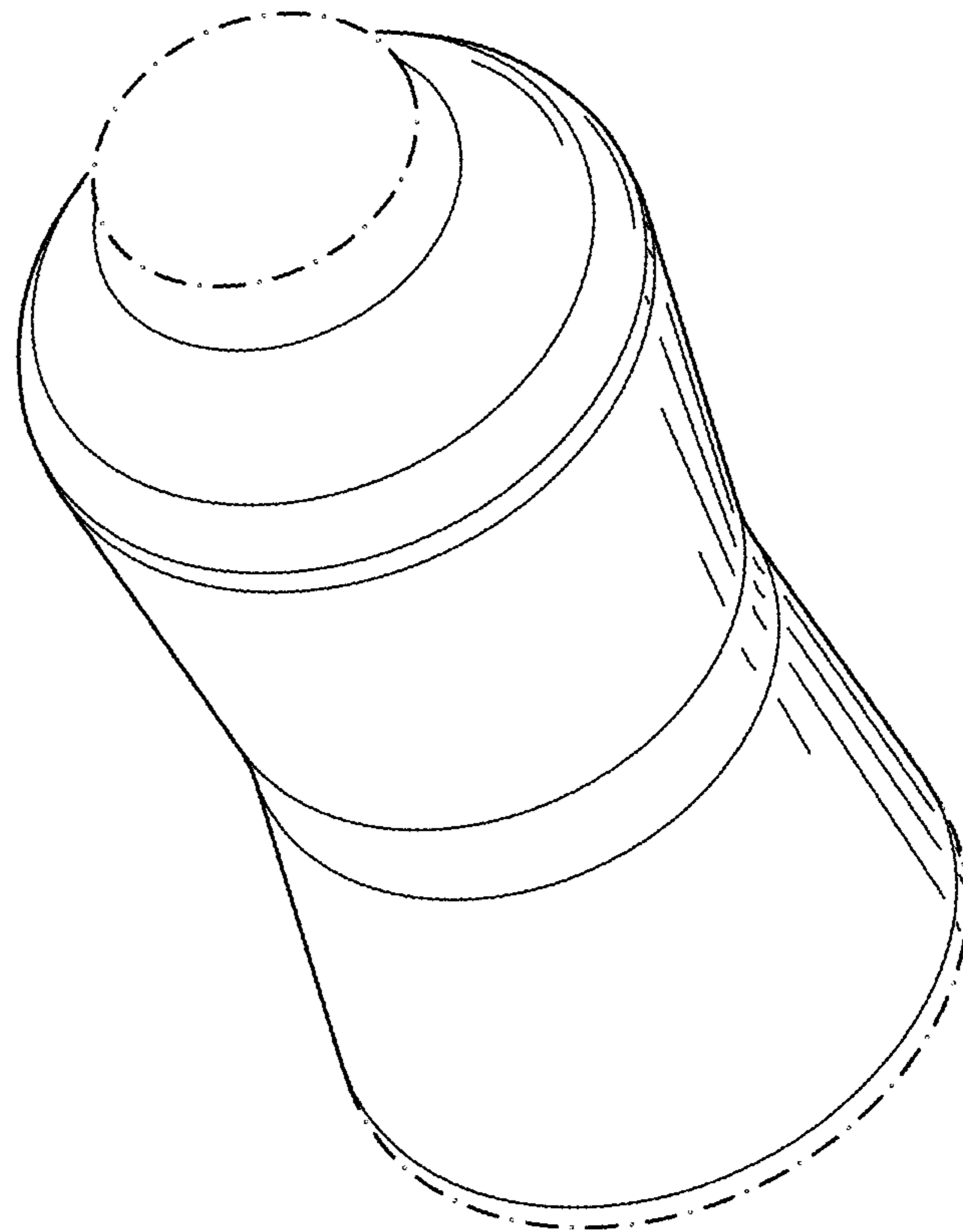


**FIG. 1**

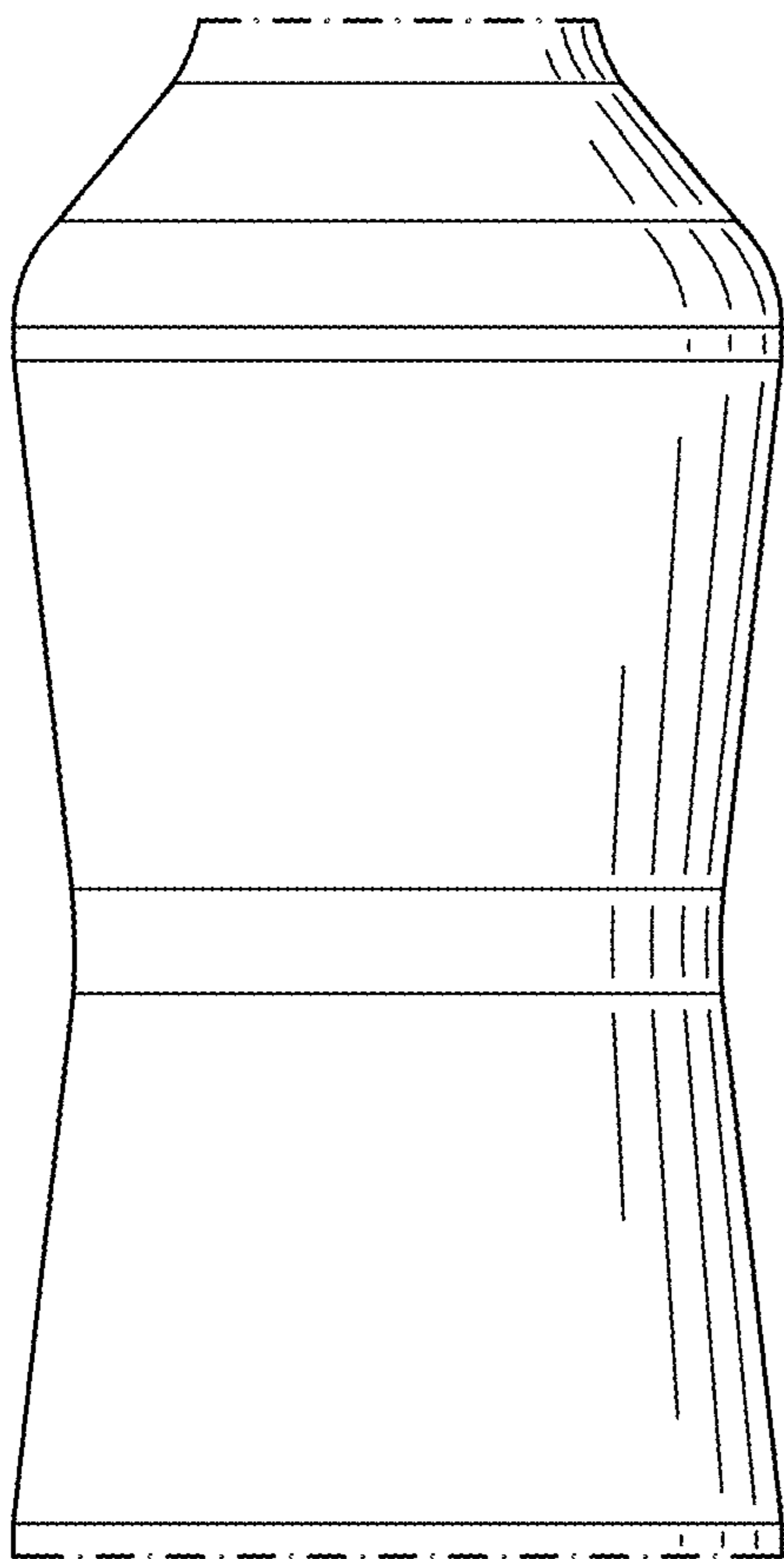




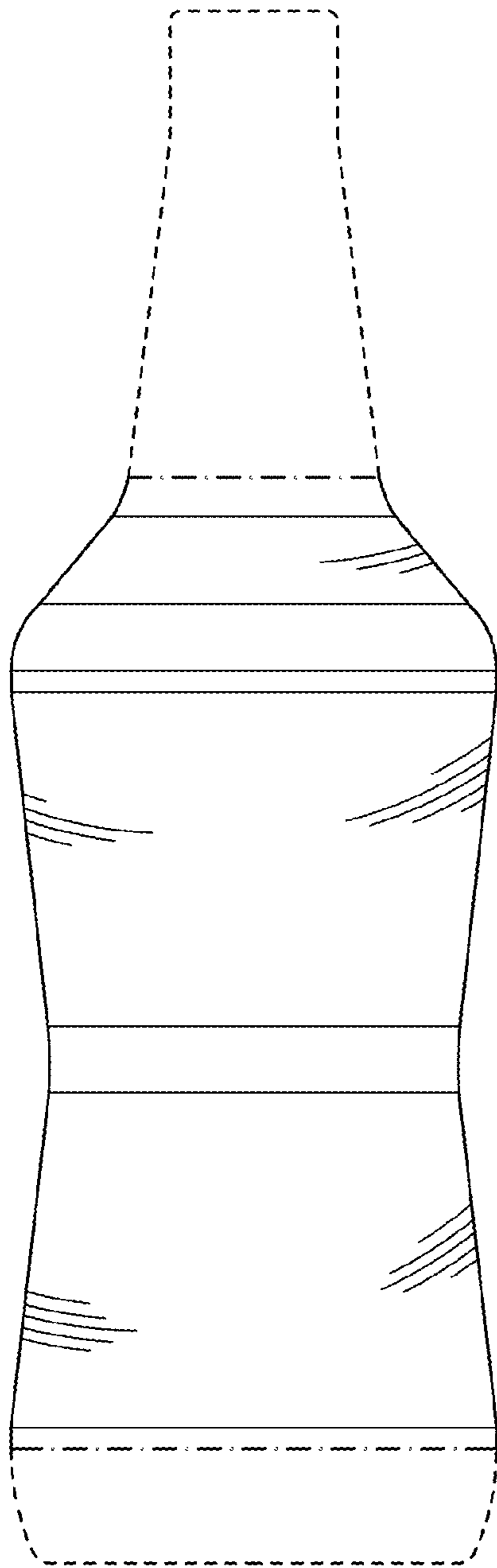
**FIG. 6**



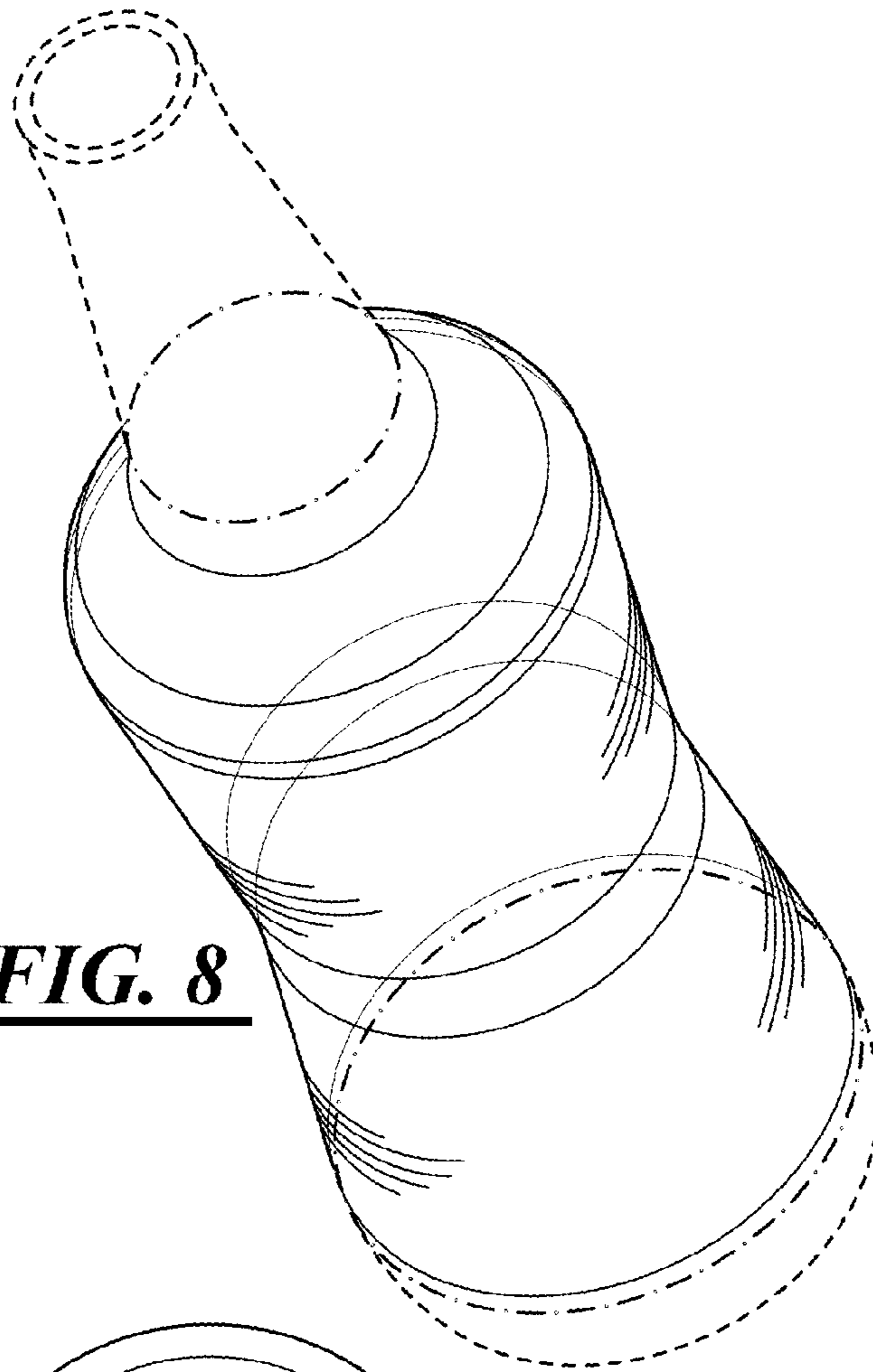
**FIG. 5**



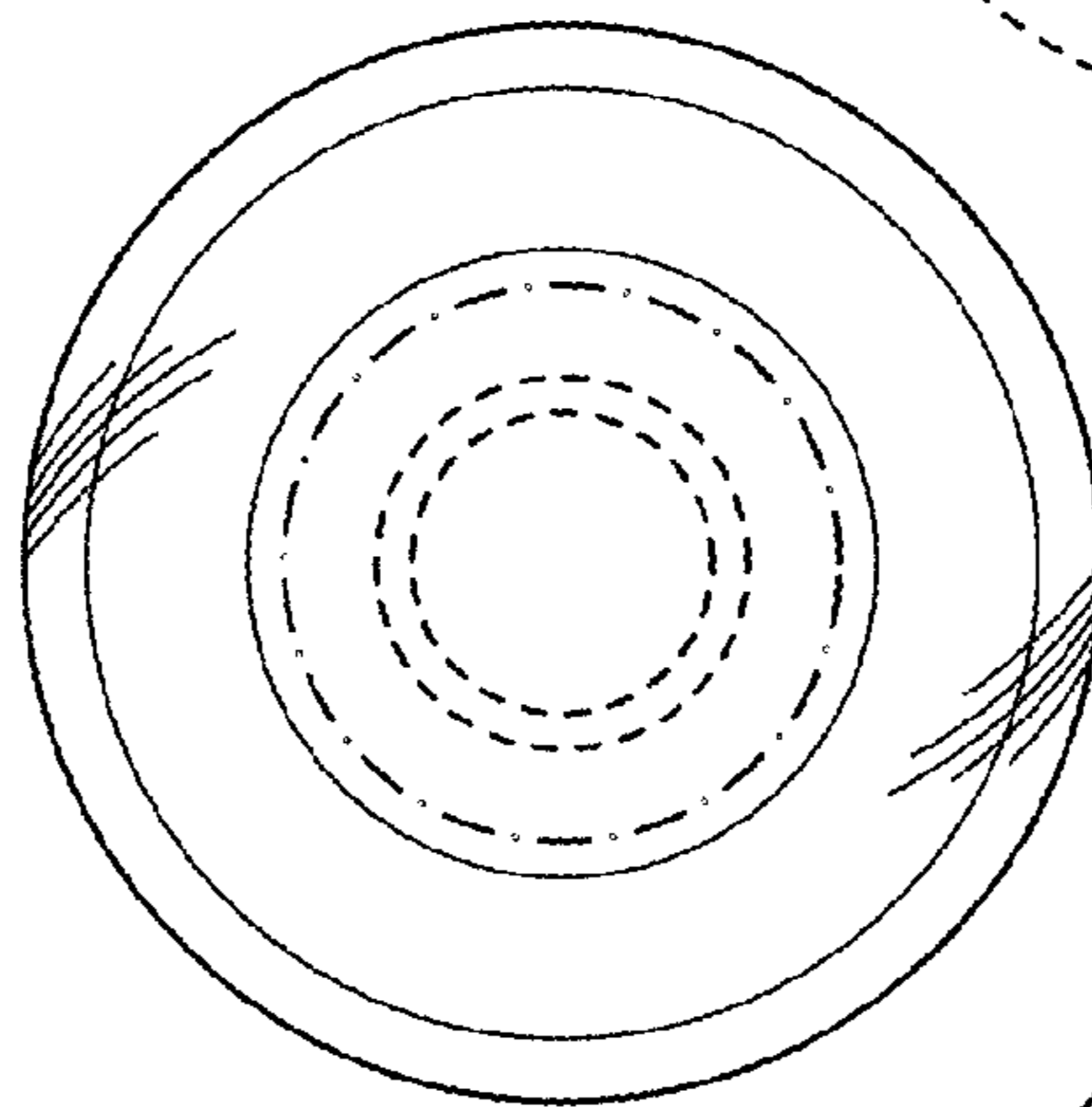
**FIG. 4**



**FIG. 7**

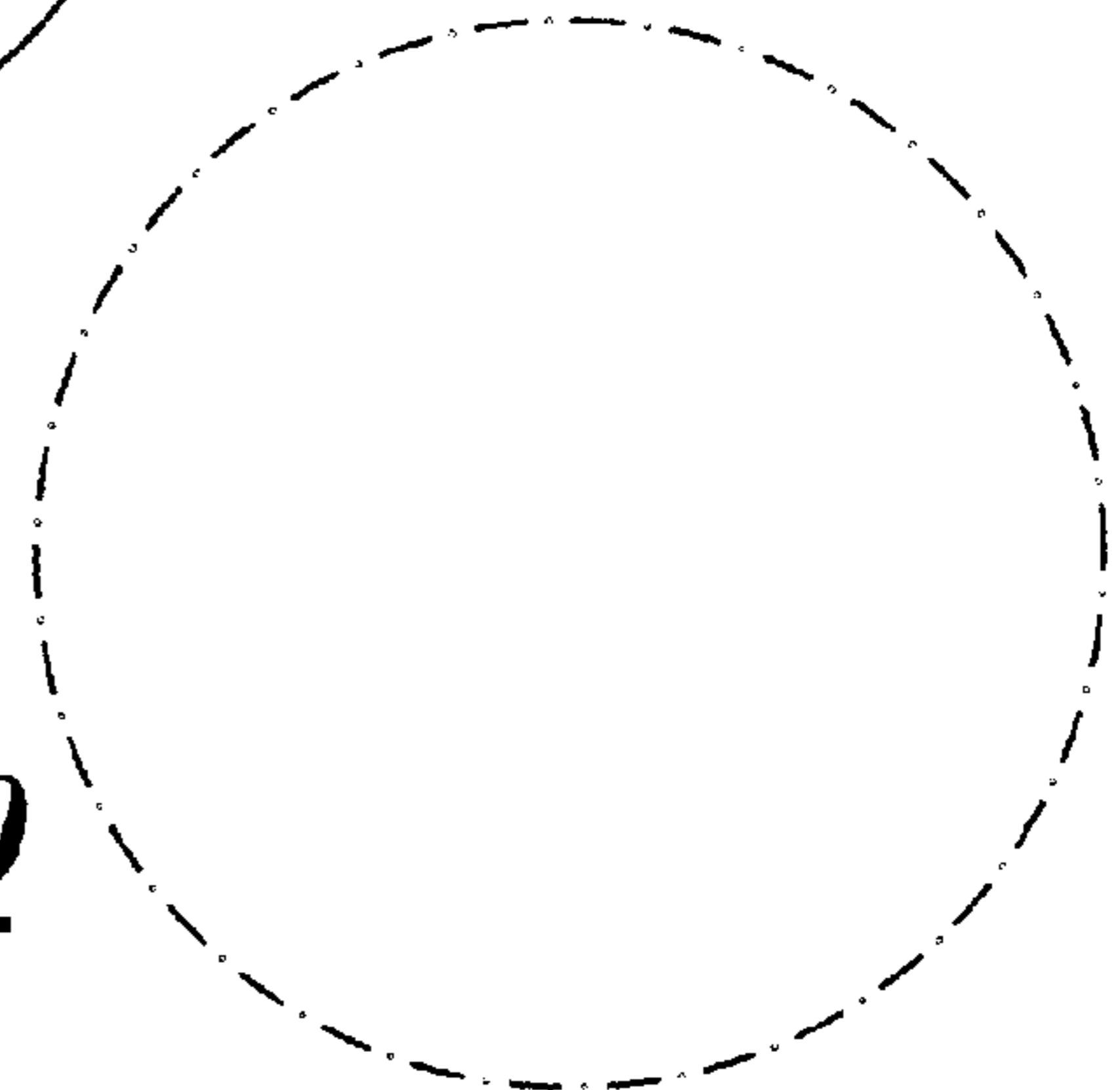


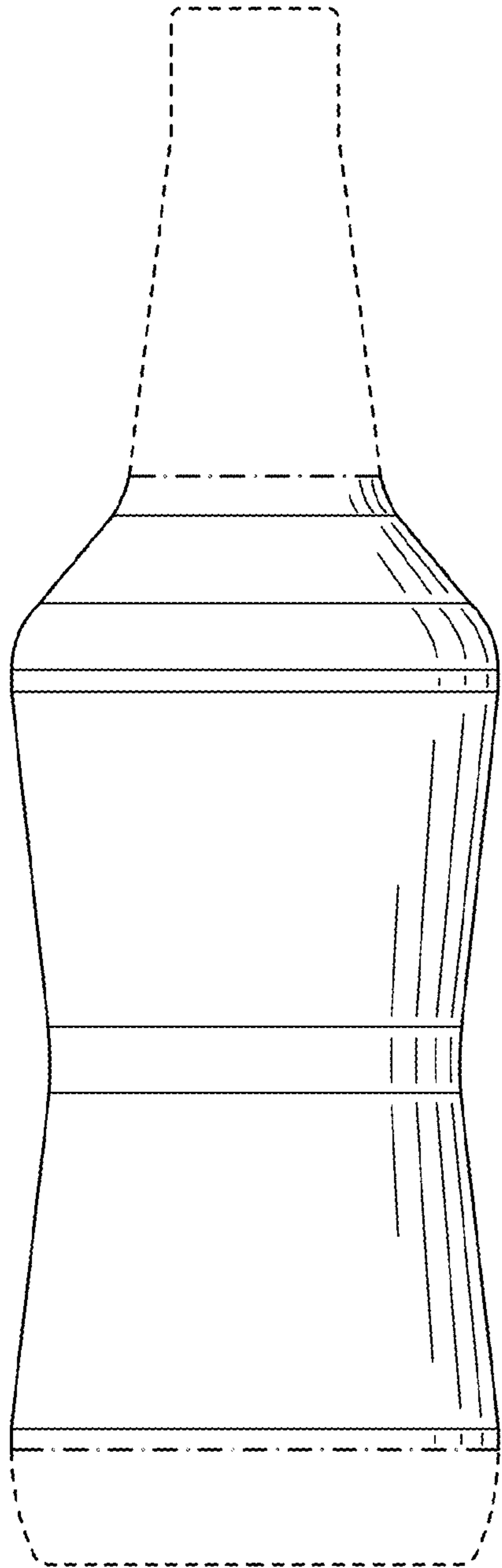
**FIG. 8**



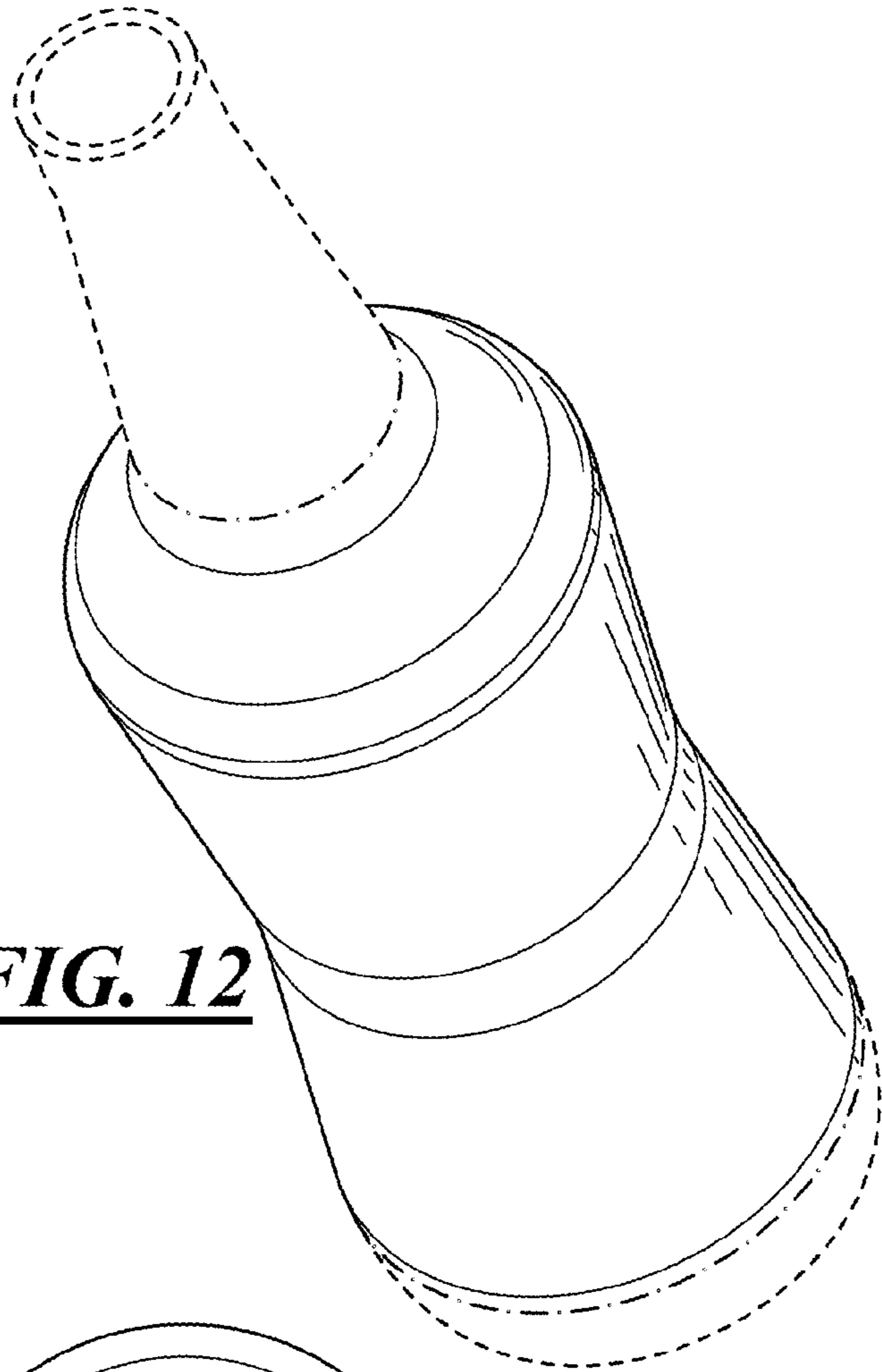
**FIG. 9**

**FIG. 10**

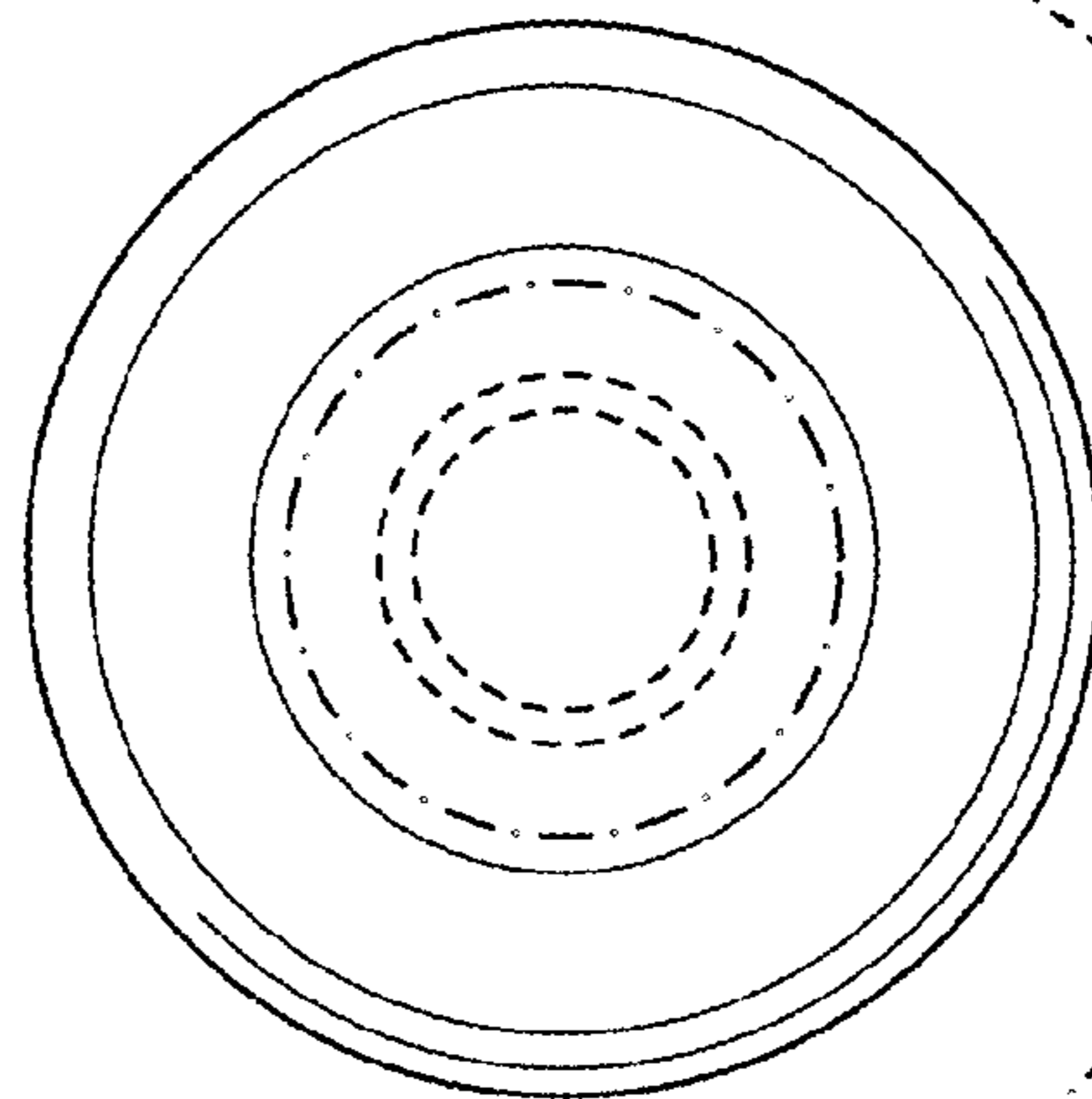




**FIG. 11**



**FIG. 12**



**FIG. 13**

**FIG. 14**

