



US00D874280S

(12) **United States Design Patent** (10) **Patent No.:** **US D874,280 S**  
**Malone** (45) **Date of Patent:** **\*\* Feb. 4, 2020**

(54) **HINGED U-BLOCK FOR PACKAGING**

(71) Applicant: **Diamond 6S Management**, San Antonio, TX (US)

(72) Inventor: **Dale Malone**, Austin, TX (US)

(73) Assignee: **Diamond 6S Management**, San Antonio, TX (US)

(\*\*) Term: **15 Years**

(21) Appl. No.: **29/661,589**

(22) Filed: **Aug. 29, 2018**

**Related U.S. Application Data**

(63) Continuation of application No. 29/624,809, filed on Nov. 3, 2017, now Pat. No. Des. 827,439, which is a continuation of application No. 29/543,285, filed on Oct. 22, 2015, now Pat. No. Des. 803,057.

(51) **LOC (12) Cl.** ..... **09-07**

(52) **U.S. Cl.**  
USPC ..... **D9/456**

(58) **Field of Classification Search**

USPC ..... D9/415, 434, 435, 440, 446-450, 452, D9/453, 454, 455-457, 499; D7/387, D7/388, 396.2, 396.4, 396.6, 398, 403, D7/509, 510, 511; D3/202, 203.2, 247, D3/294, 304, 318; D28/91.1; D8/343, D8/346, 352, 382, 397, 399; D25/102, D25/122, 199  
CPC .. A61J 1/00; A61J 1/1412; B65D 1/00; B65D 1/02; B65D 1/10; B65D 1/46; B65D 2585/56; B65D 41/00; B65D 41/56; B65D 41/62; B65D 47/06; B65D 47/08; B65D

(Continued)

(56) **References Cited**

**U.S. PATENT DOCUMENTS**

1,516,721 A 11/1924 Emery  
2,066,420 A 1/1937 Reysa  
D202,691 S 11/1965 Essman

(Continued)

*Primary Examiner* — Karen S Acker

*Assistant Examiner* — Wendy L Arminio

(74) *Attorney, Agent, or Firm* — Winstead PC

(57) **CLAIM**

The ornamental design for a hinged u-block for packaging, as shown and described.

**DESCRIPTION**

FIG. 1 is a top, front, left perspective view of a hinged u-block for packaging shown in an unfolded configuration in accordance with the design;

FIG. 2 is a top view thereof;

FIG. 3 is a bottom view thereof;

FIG. 4 is a right side view thereof;

FIG. 5 is a left side view thereof;

FIG. 6 is a front view thereof;

FIG. 7 is a rear view thereof;

FIG. 8 is a bottom, front, right perspective view of the hinged u-block for packaging of FIG. 1 shown in a folded configuration and in a position of use on an unclaimed panel drawn in broken lines;

FIG. 9 is a rear view of the hinged u-block for packaging of FIG. 1 shown in a folded configuration;

FIG. 10 is a front view thereof;

FIG. 11 is a left side view thereof;

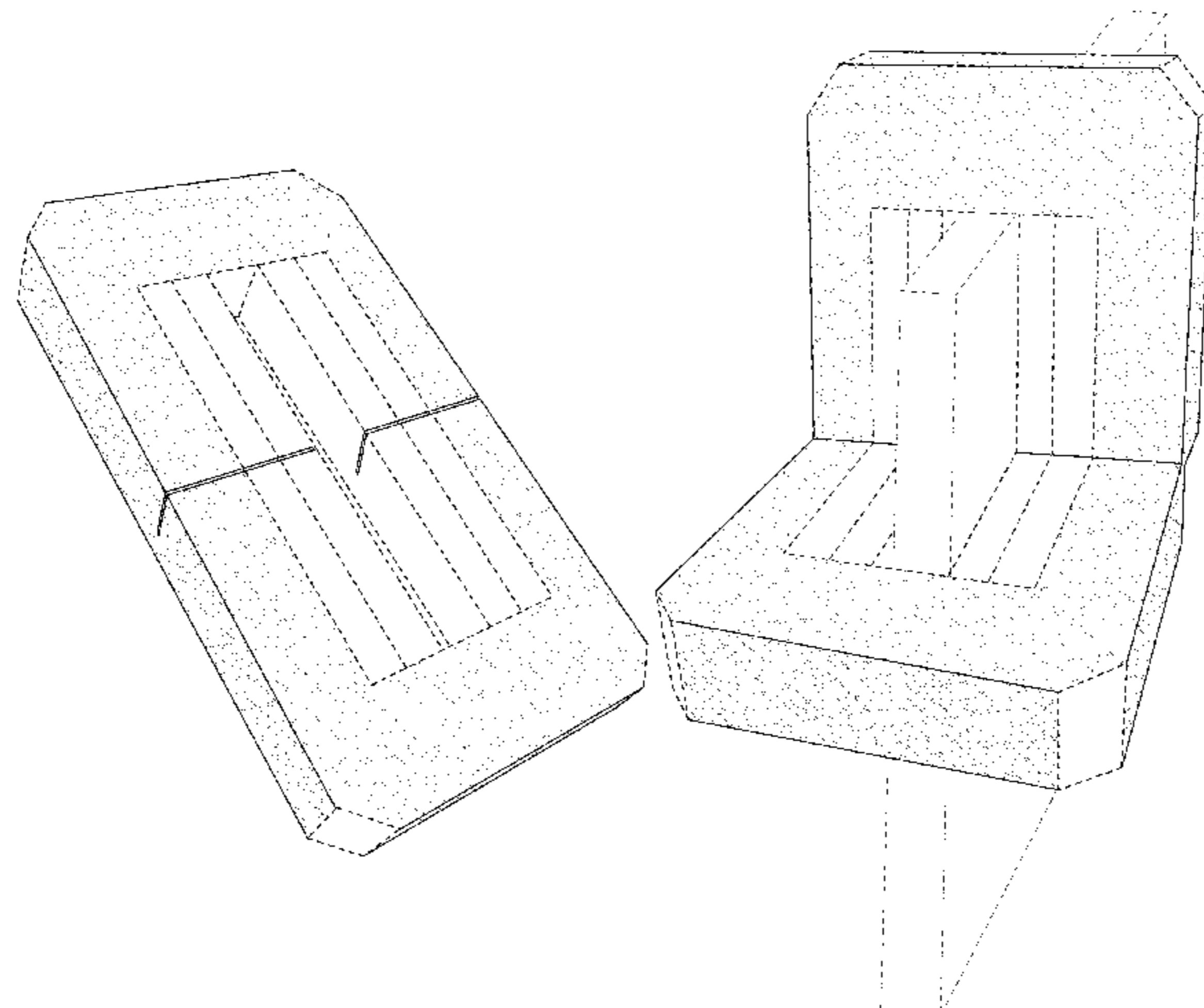
FIG. 12 is a right side view thereof;

FIG. 13 is a bottom view thereof; and,

FIG. 14 is a top view thereof.

The broken lines including areas adjacent to shaded planes and solid lines depict portions of the hinged u-block for packaging that form no part of the claimed design. In FIG. 8, the panel inserted in the article and drawn in broken lines is environmental subject matter added to show the hinged u-block for packaging in a position of use and forms no part of the claimed design.

**1 Claim, 8 Drawing Sheets**



# US D874,280 S

Page 2

(58) **Field of Classification Search**

CPC ..... 2543/00046; B65D 2543/00092; B65D  
2543/00296

See application file for complete search history.

D455,074 S 4/2002 Au  
D455,266 S 4/2002 Bradford  
D460,263 S 7/2002 Bradford  
6,493,888 B1 12/2002 Salvatini et al.  
6,981,589 B2\* 1/2006 Sanders, Jr. .... B65D 5/22  
206/320

(56) **References Cited**

U.S. PATENT DOCUMENTS

3,334,798 A 8/1967 Pezely, Jr.  
3,439,860 A 4/1969 Wienecke, Jr.  
3,530,213 A \* 9/1970 Isle ..... B29C 44/56  
206/523  
3,854,650 A \* 12/1974 Hanaue ..... B65D 81/107  
16/DIG. 13  
4,157,758 A \* 6/1979 Kozlowski, Jr. ... A61B 17/3215  
206/352  
4,413,735 A \* 11/1983 Little ..... B65D 81/107  
206/523  
4,422,546 A 12/1983 Charity  
4,784,269 A \* 11/1988 Griffith ..... B65D 81/03  
206/453  
4,947,500 A 8/1990 Seiler  
D357,595 S 4/1995 Roschacher  
5,729,942 A 3/1998 Moore, Jr.  
D397,270 S 8/1998 Maalouf

D564,880 S 3/2008 Chang  
D577,580 S 9/2008 Koza  
D577,581 S 9/2008 Koza  
D595,125 S \* 6/2009 Doyle ..... D3/298  
D605,940 S 12/2009 Lin  
D648,630 S 11/2011 Doster  
D660,702 S 5/2012 Malone  
D661,191 S 6/2012 Malone  
D692,755 S 11/2013 Curnutt  
D758,191 S \* 6/2016 Tu ..... D9/414  
D774,393 S \* 12/2016 Wu ..... D9/456  
D786,073 S 5/2017 Hutcheson, Jr. et al.  
D796,204 S \* 9/2017 Wax ..... D3/318  
D796,954 S \* 9/2017 Lun ..... D9/456  
D803,057 S 11/2017 Malone  
D820,087 S \* 6/2018 Kelley ..... D9/456  
D832,057 S \* 10/2018 Namyst, III ..... D7/602  
2004/0060928 A1 4/2004 Balla  
2006/0207914 A1 9/2006 Cance et al.  
2017/0113862 A1 4/2017 Malone

\* cited by examiner

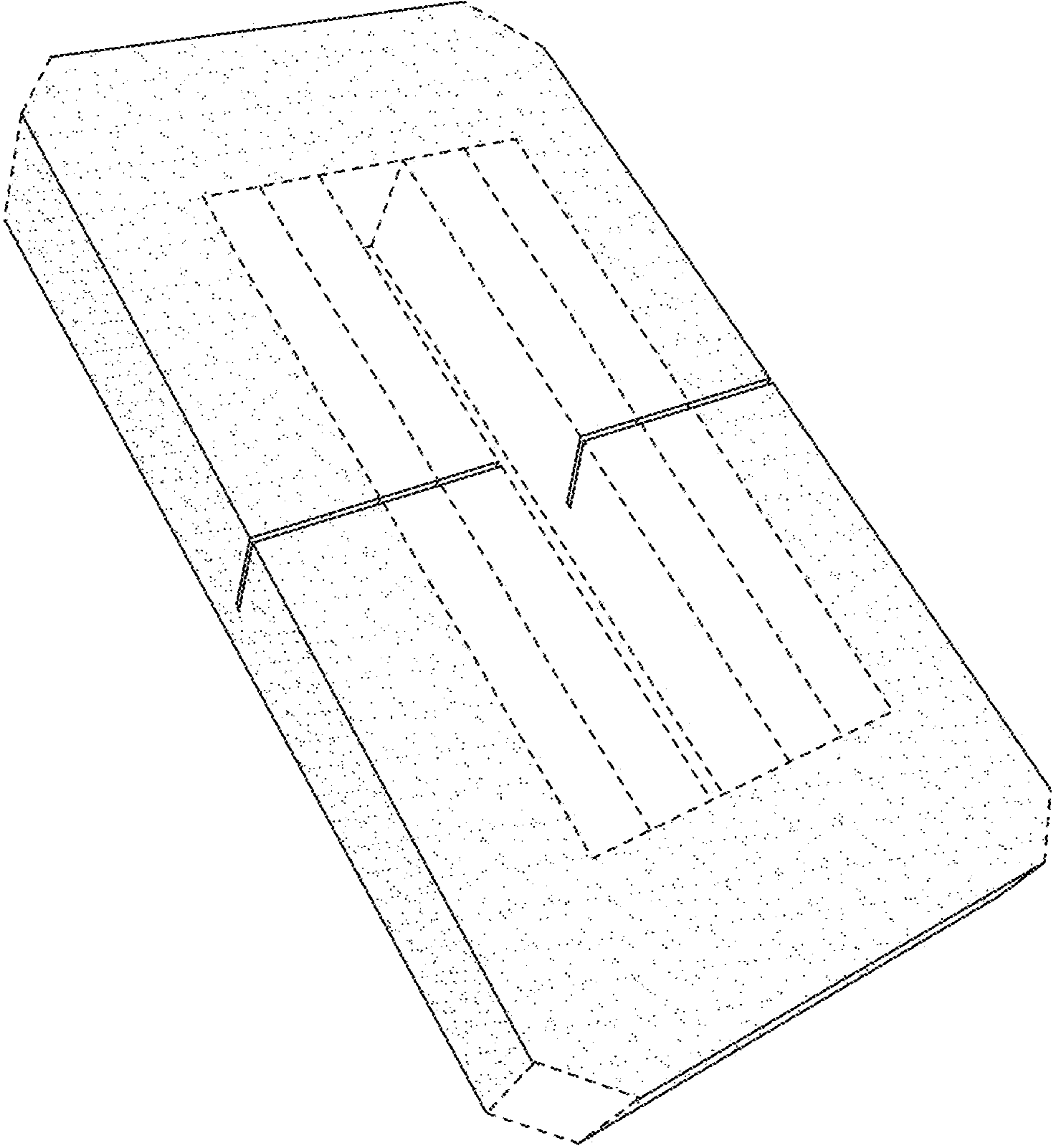


FIG. 1

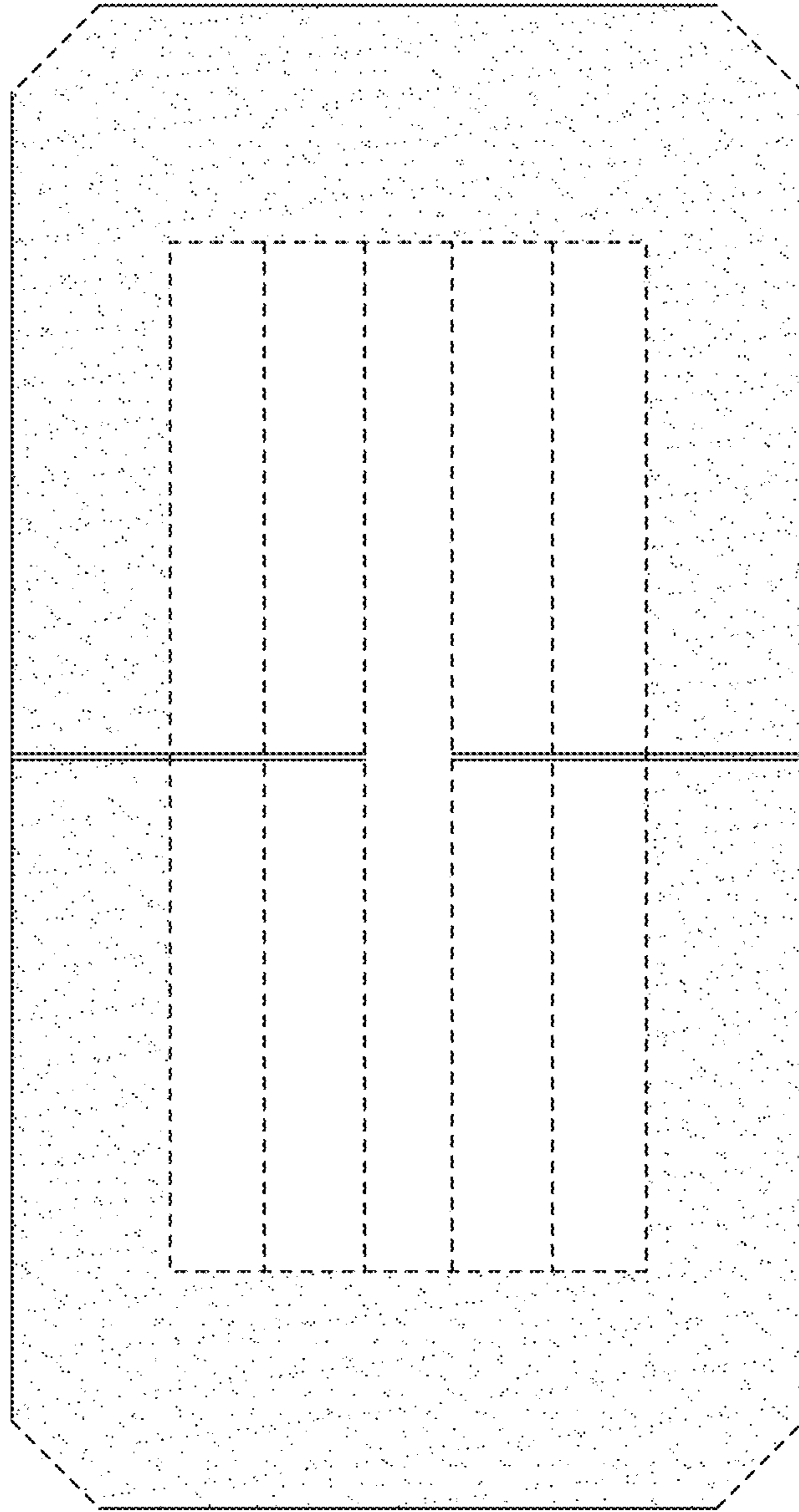


FIG. 2

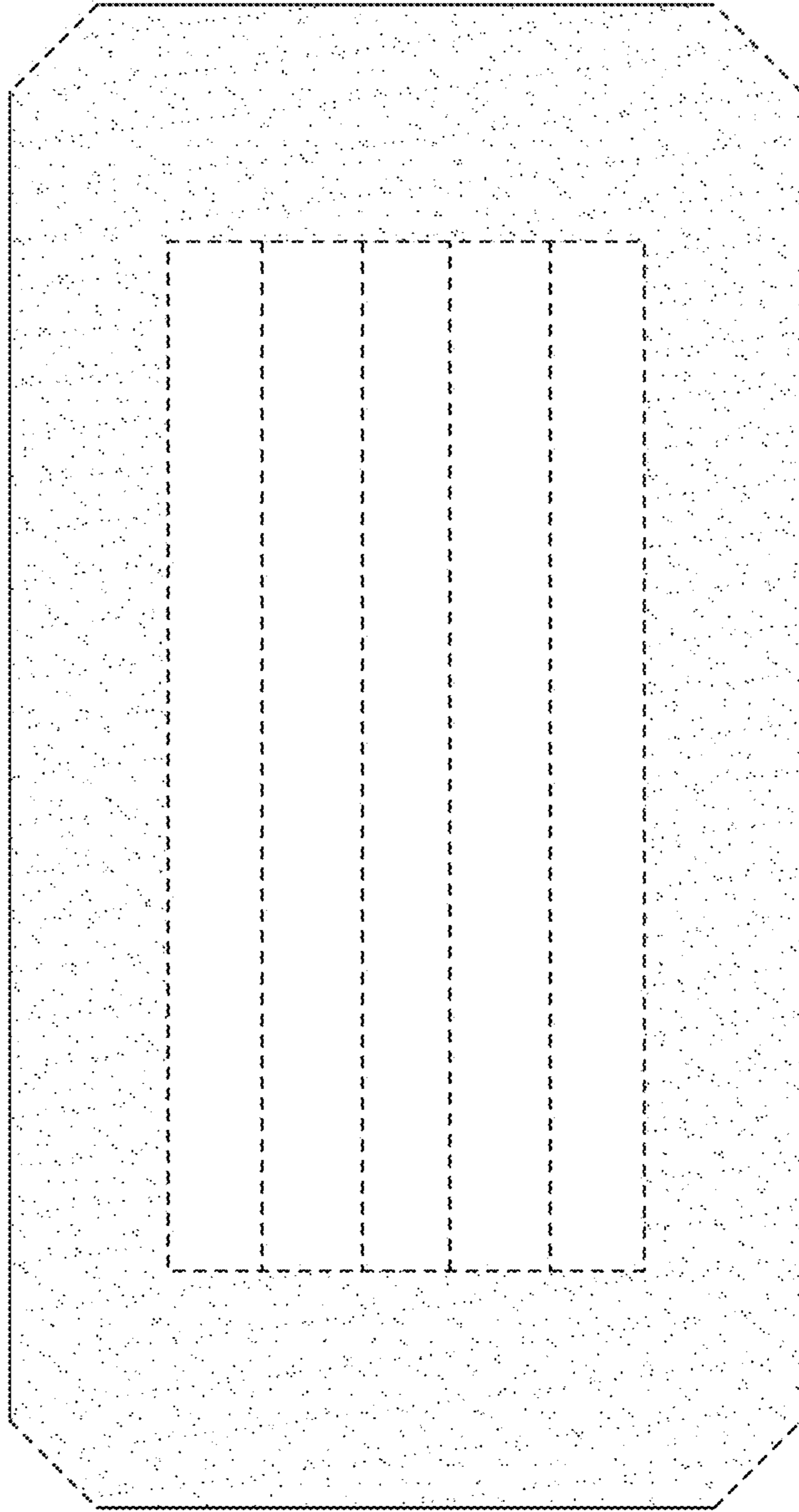


FIG. 3

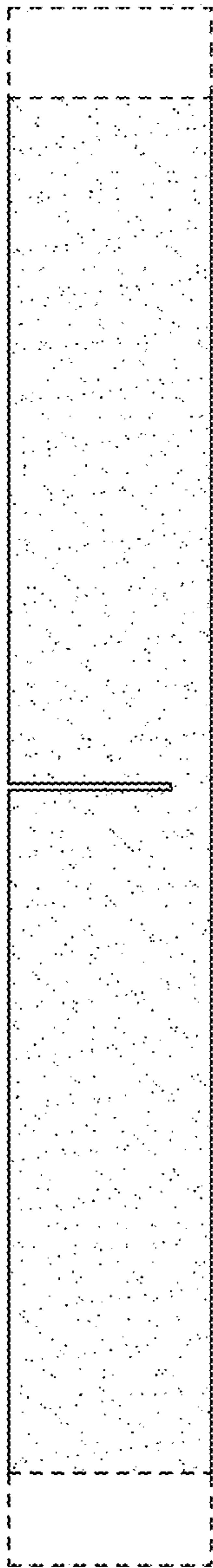


FIG. 4

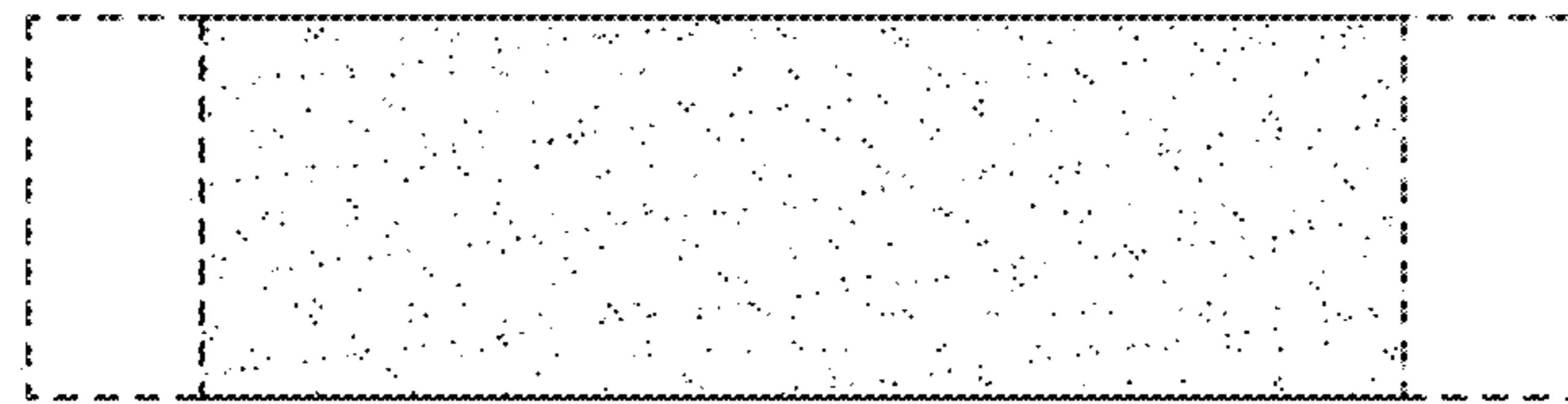


FIG. 6

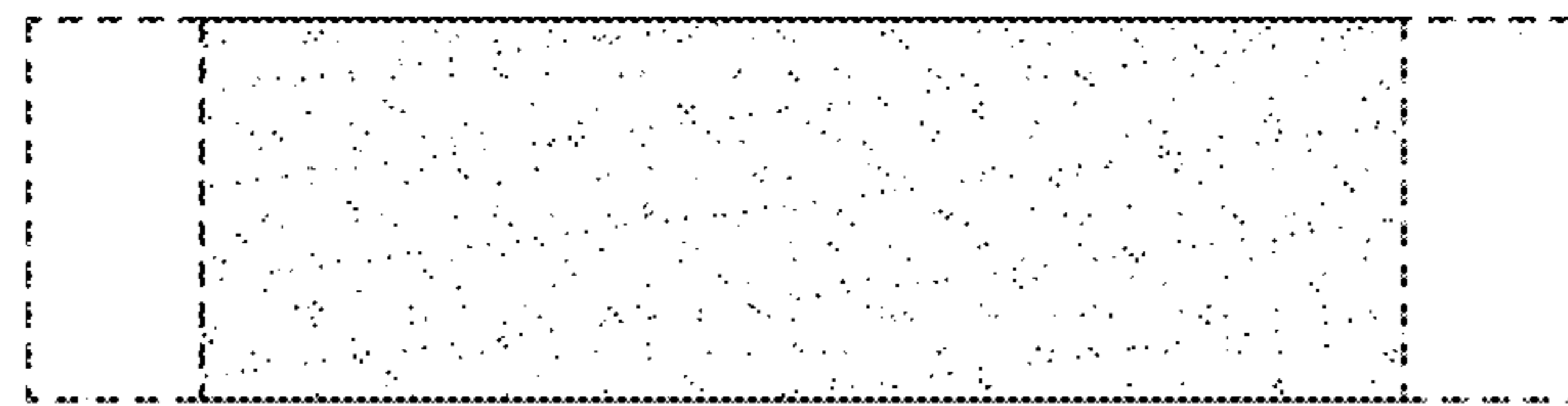


FIG. 7

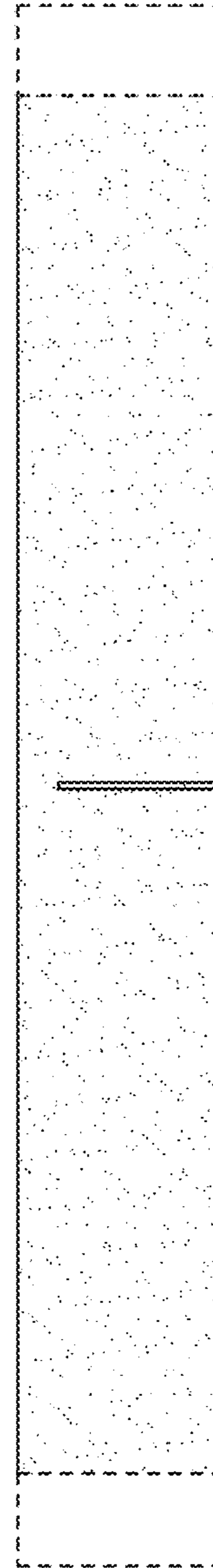


FIG. 5

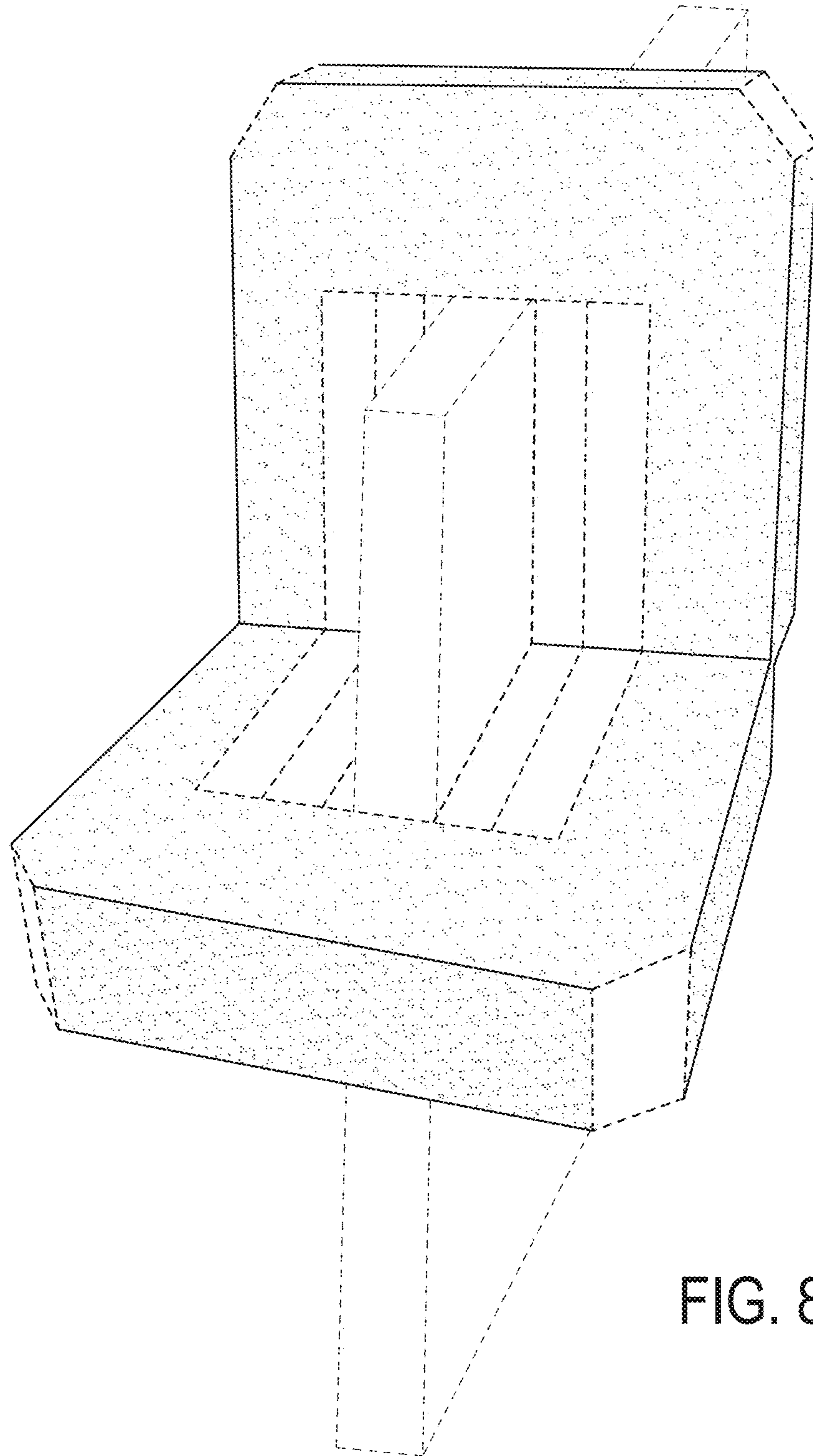


FIG. 8

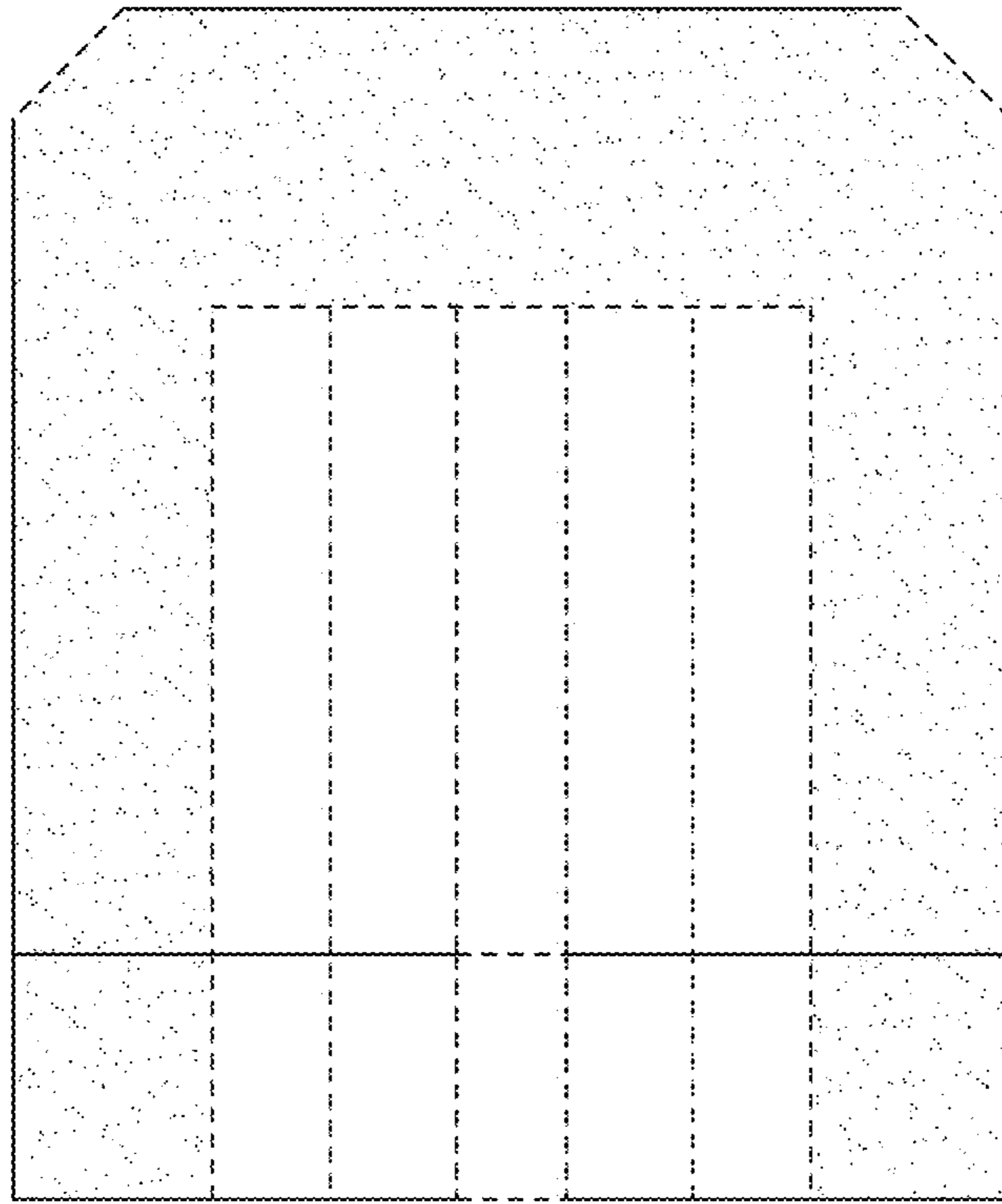


FIG. 9

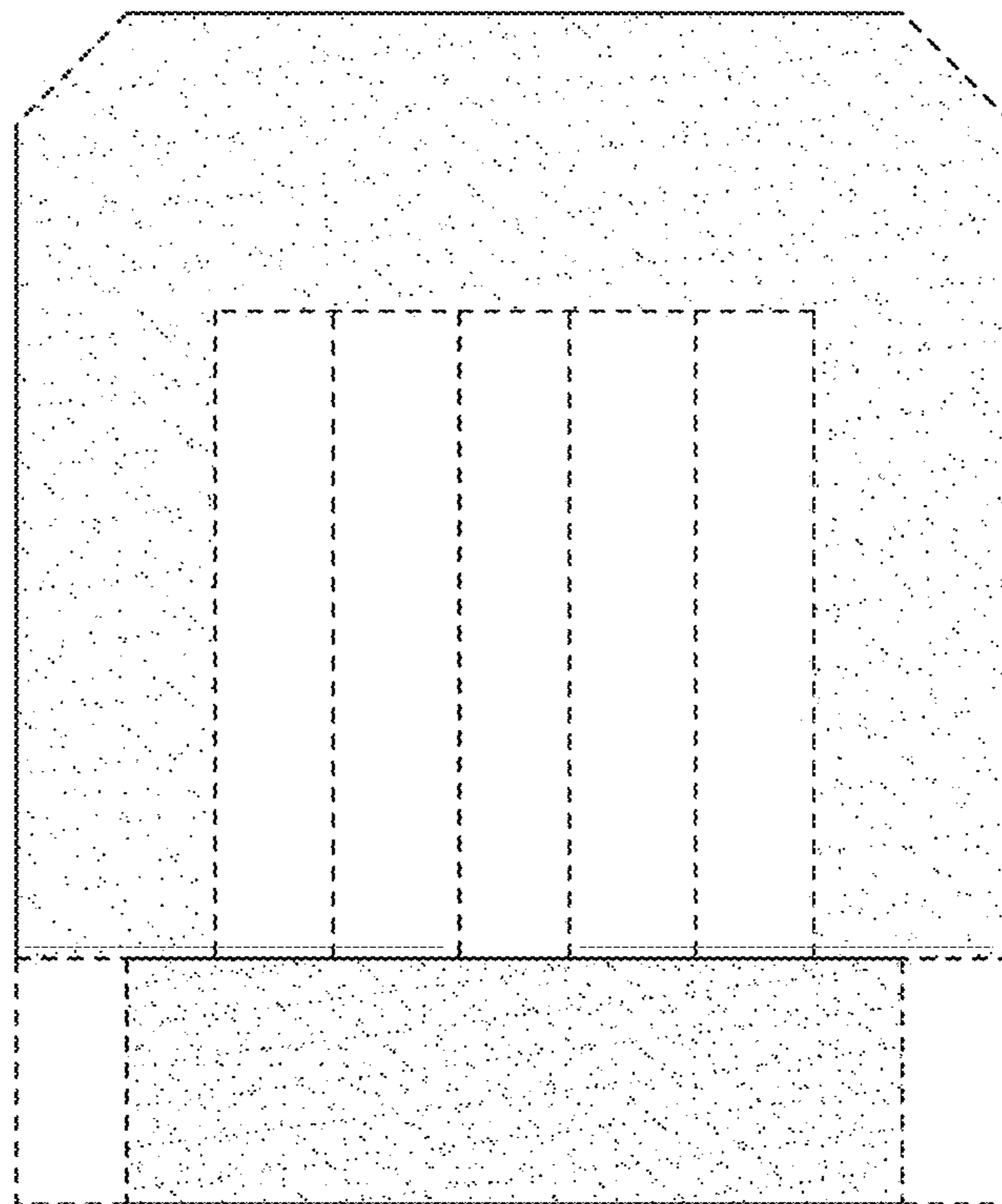


FIG. 10



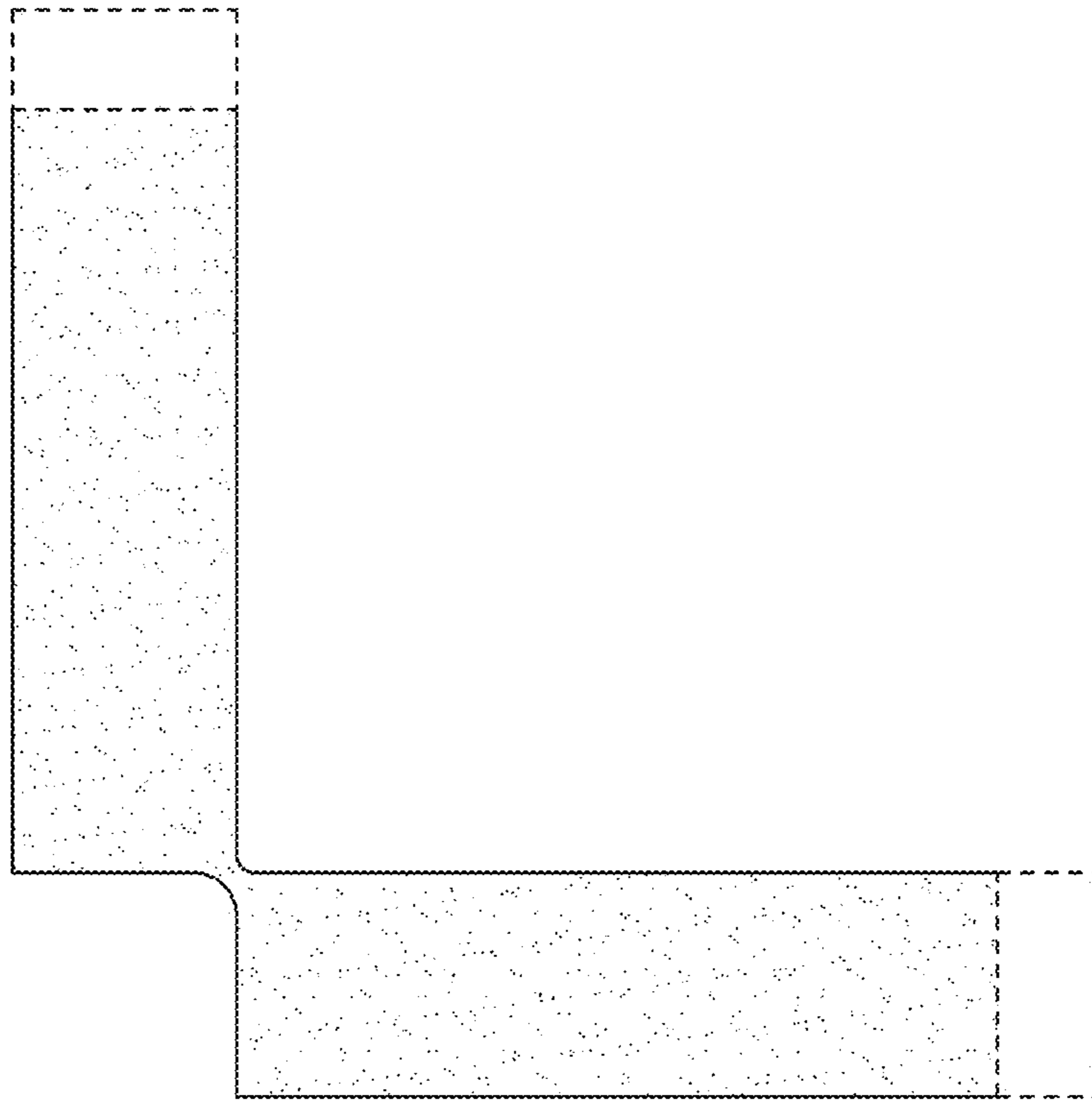


FIG. 11

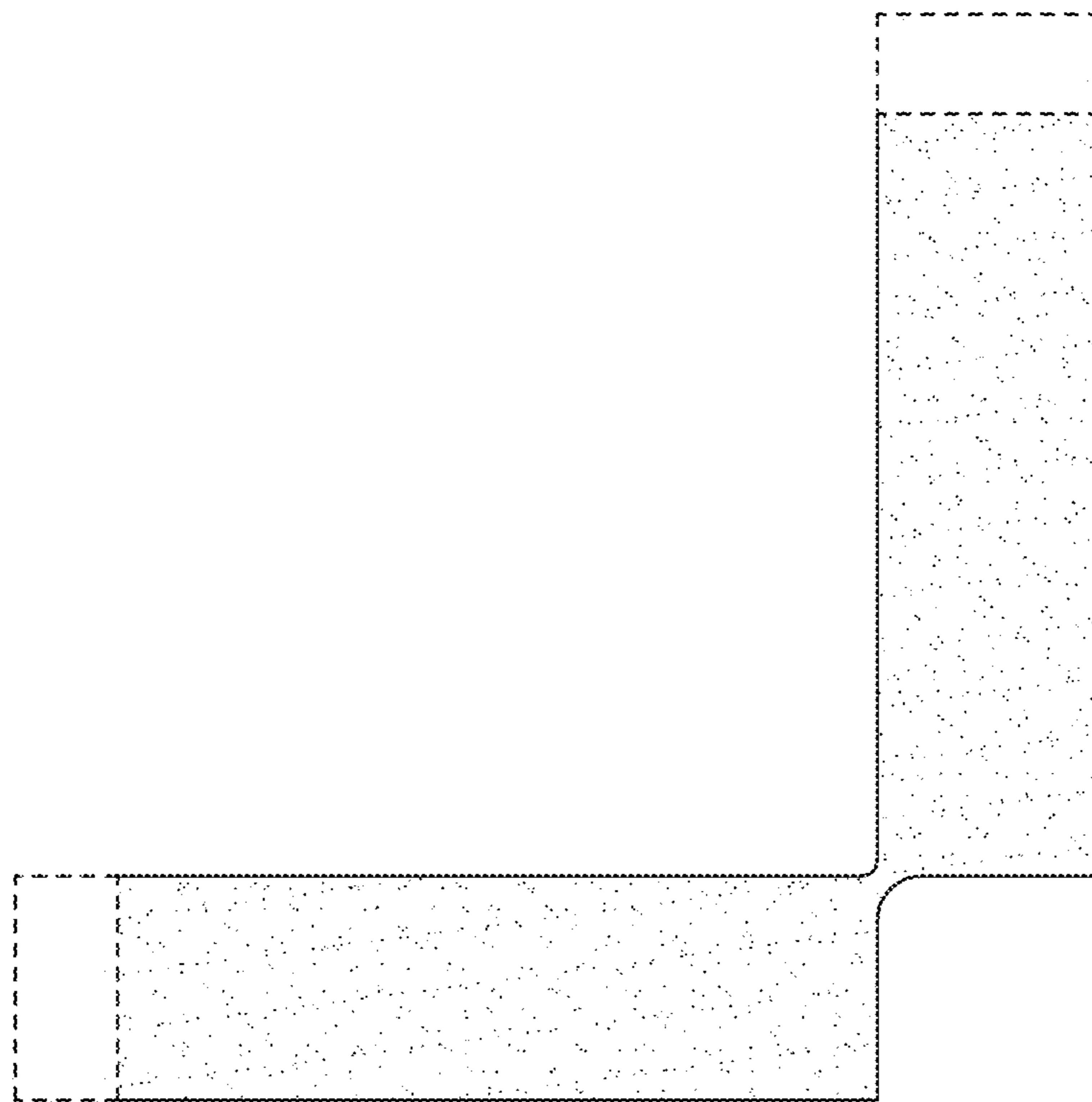


FIG. 12

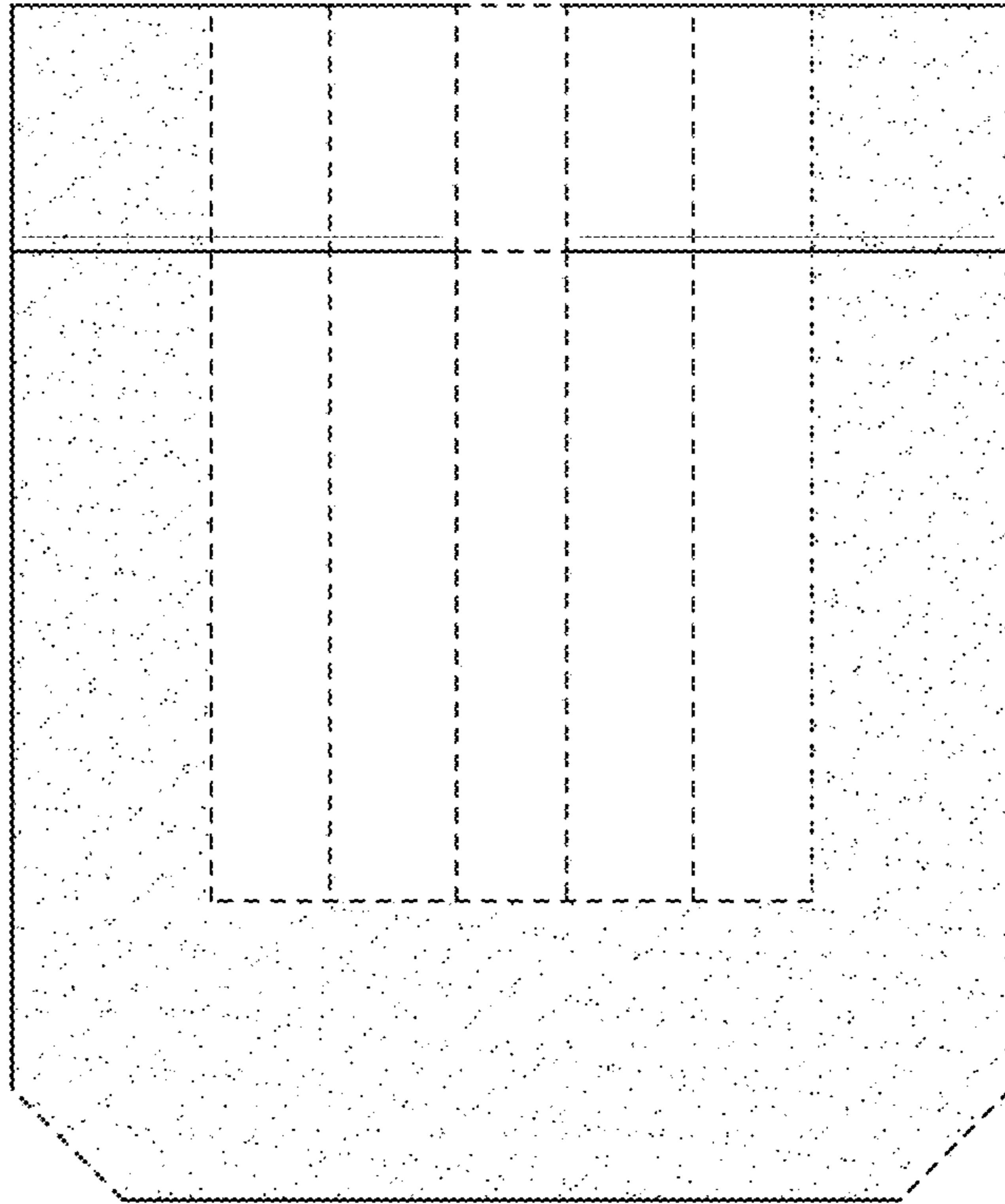


FIG. 13

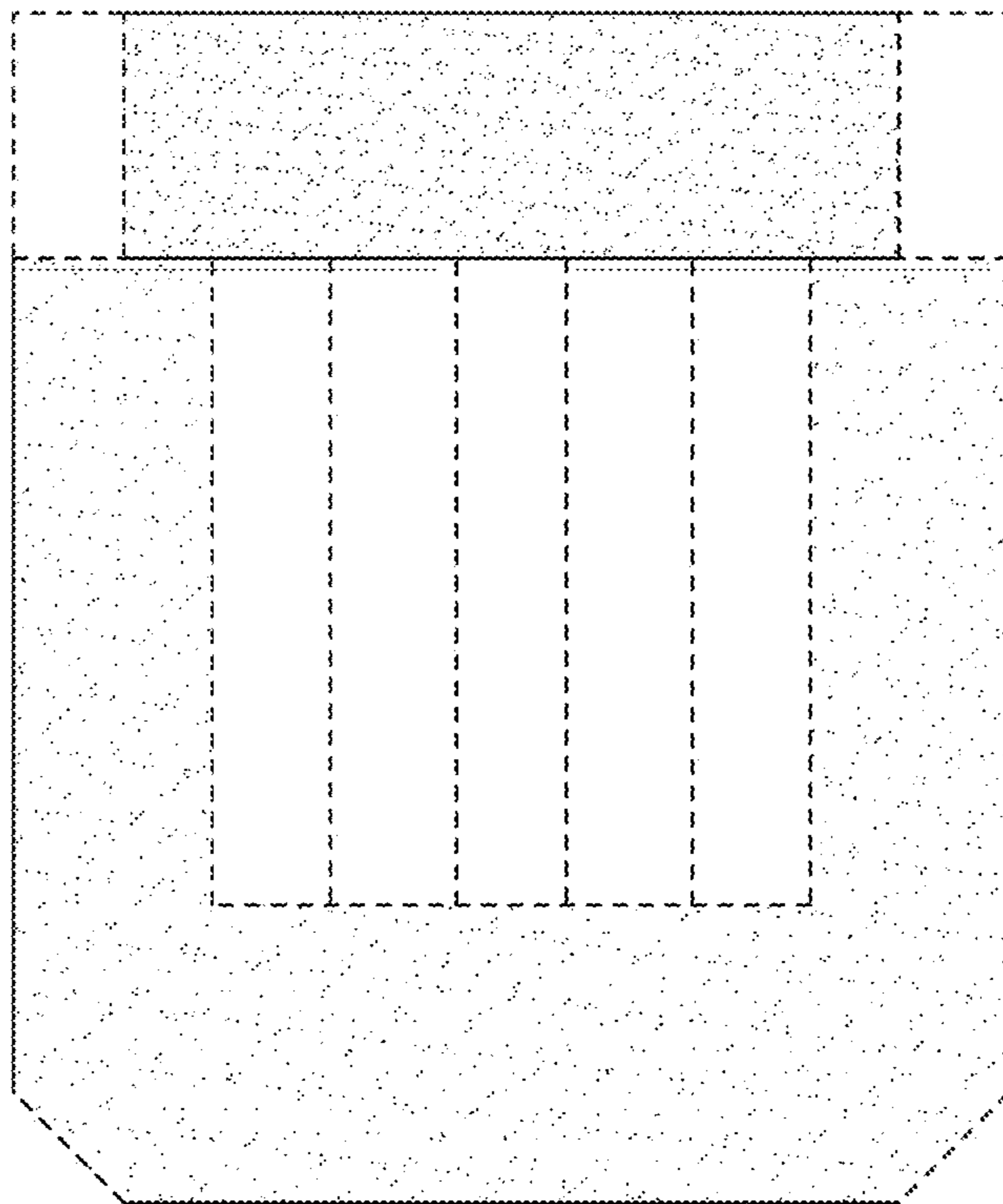


FIG. 14