



US00D874279S

(12) **United States Design Patent** (10) **Patent No.:** **US D874,279 S**  
**Leal Cerda** (45) **Date of Patent:** **\*\* Feb. 4, 2020**

(54) **SUPPORT POST FOR PACKAGING SYSTEM**

(71) Applicant: **CARGA SEGURA, S. DE R. L. MI,**  
Garcia (MX)

(72) Inventor: **Miguel Ángel Leal Cerda,** Garcia  
(MX)

(\*\*) Term: **15 Years**

(21) Appl. No.: **29/630,532**

(22) Filed: **Dec. 21, 2017**

(51) **LOC (12) Cl.** ..... **09-07**

(52) **U.S. Cl.**  
USPC ..... **D9/456**

(58) **Field of Classification Search**  
USPC ..... D3/304, 318, 319; D7/387, 388, 391,  
D7/392.1, 396.1, 396.6, 403, 409, 504,  
D7/511, 550.1, 553.1, 553.2, 566, 568,  
D7/601, 602, 614, 615, 629, 701, 703,  
D7/707, 708; D9/414, 416, 424, 425,  
D9/426, 427, 428, 430, 432, 433, 434,  
D9/435, 436, 456, 601, 602, 701, 703,  
D9/707, 708, 715, 721, 732, 736, 756,  
D9/761; D19/34.1, 34.2, 34.4, 75, 96,  
D19/97; D25/119, 120, 121, 122, 123,  
D25/126, 129, 138, 142; D6/300;  
D20/43, 44  
CPC ..... B65B 11/045; B65B 31/028; B65D 91/04;  
B65D 81/02; B65D 81/054; B65D 71/04;  
B65D 5/04; B65D 5/105; B65D 5/5035;  
B65D 5/0004; B65D 5/4212; B65D  
5/503; E04F 19/02; E05F 5/06; A47G  
19/30

See application file for complete search history.

(56) **References Cited**

**U.S. PATENT DOCUMENTS**

D28,085 S \* 12/1897 Sandstrom ..... D25/121  
D241,744 S \* 10/1976 Betscher ..... D25/123  
D300,663 S \* 4/1989 Liao ..... D25/119

D318,334 S \* 7/1991 Gibbs ..... D25/123  
D374,621 S \* 10/1996 Salazar, Jr. .... D9/434  
D462,266 S \* 9/2002 Gittins ..... D9/430  
D473,663 S \* 4/2003 Chou ..... D25/122  
D489,464 S \* 5/2004 Barnett ..... D25/119  
D498,054 S \* 11/2004 Moon ..... D3/318  
D525,091 S \* 7/2006 Baxter ..... D7/701  
D549,849 S \* 8/2007 Koeda ..... D25/119  
D552,760 S \* 10/2007 Seiling ..... D25/122  
D560,823 S \* 1/2008 Holland ..... D25/122  
D561,354 S \* 2/2008 Antonic ..... D25/122

(Continued)

**OTHER PUBLICATIONS**

Black and Yellow PVC Round Corner Protector: Site Visited [Mar. 31, 2019]. Available from Internet URL: <https://www.indiamart.com/proddetail/round-corner-protector-6644761297.html>.\*

(Continued)

*Primary Examiner* — Jennifer Rivard  
*Assistant Examiner* — Catherine S Posthauer  
(74) *Attorney, Agent, or Firm* — Michael W. Goltry;  
Robert A. Parsons; Parsons & Goltry, PLLC

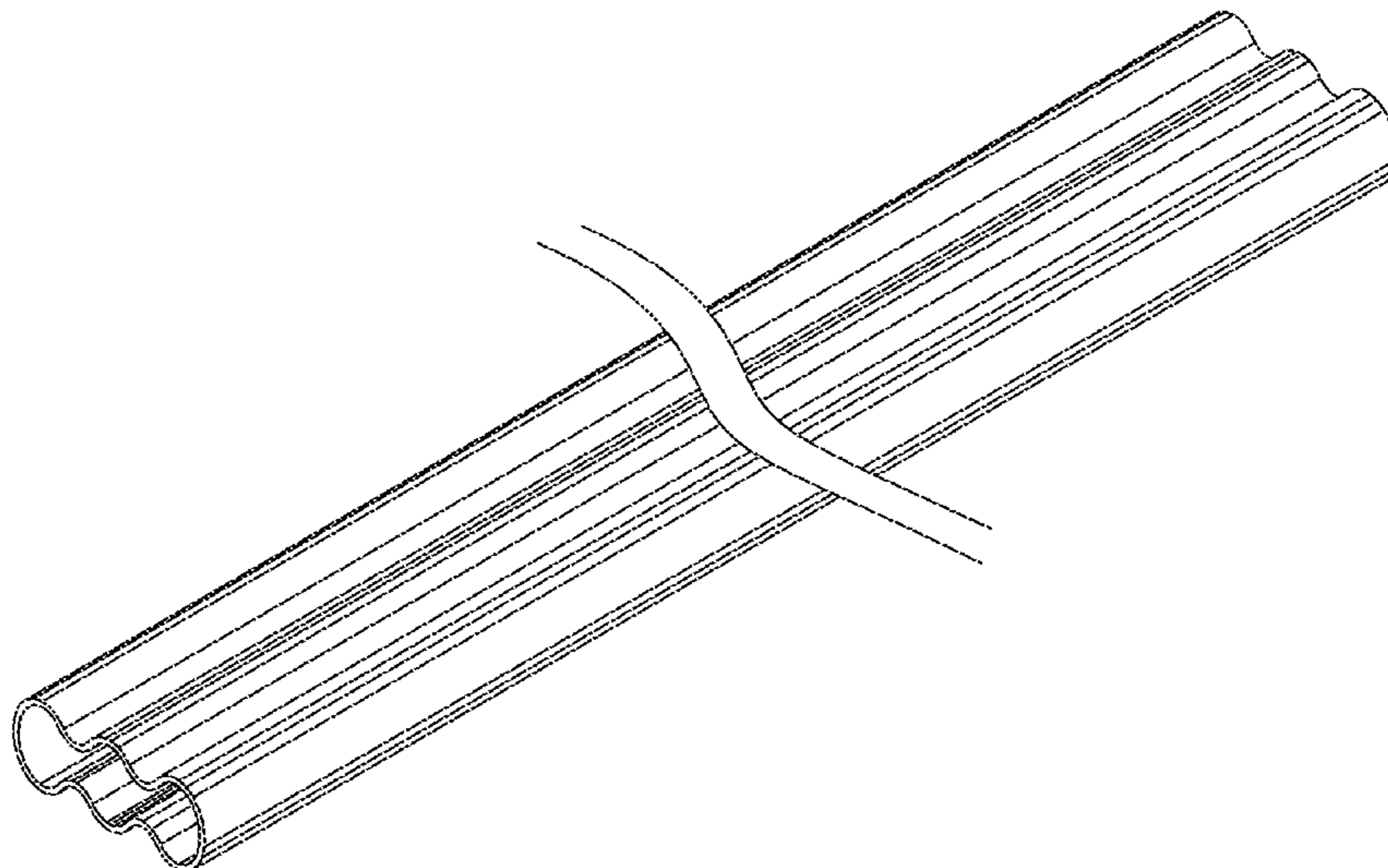
(57) **CLAIM**

The ornamental design for a support post for packaging system, as shown and described.

**DESCRIPTION**

FIG. 1 is a perspective view of a support post for packaging system showing my new design;  
FIG. 2 is a top plan view thereof, the bottom plan view being the same thereof;  
FIG. 3 is a right side elevation view thereof, the left side elevation view being the same thereof; and,  
FIG. 4 is a front elevation view thereof, the rear elevation view being the same thereof.  
The article is shown with a symbolic break in the length. The appearance of any portion of the article between the break lines forms no part of the claimed design.

**1 Claim, 4 Drawing Sheets**



(56)

**References Cited**

U.S. PATENT DOCUMENTS

D587,366	S	*	2/2009	Turkat	.....	D24/122
D603,241	S	*	11/2009	Pearce	.....	D8/107
D641,243	S	*	7/2011	Golias	.....	D9/456
D659,195	S	*	5/2012	Boltz	.....	D20/43
D661,813	S	*	6/2012	Walker	.....	D25/38.1
D666,002	S	*	8/2012	Lai	.....	D3/318
D670,502	S	*	11/2012	Wu	.....	D3/318
D670,986	S	*	11/2012	Somers, III	.....	D8/107
D671,407	S	*	11/2012	Fay	.....	D9/434
D681,337	S	*	5/2013	Wu	.....	D3/318
D715,633	S	*	10/2014	Baker	.....	D8/403
D724,844	S	*	3/2015	Julien	.....	D3/318
D727,734	S	*	4/2015	Kwak	.....	D9/456
D771,277	S	*	11/2016	McCue	.....	D25/125
D780,540	S	*	3/2017	Koziol	.....	D7/701
2010/0000906	A1	*	1/2010	Muyskens	.....	B65D 5/5033 206/586

OTHER PUBLICATIONS

Bull Nose Corner Guard: Site Visited [Mar. 31, 2019]. Available from Internet URL: <https://www.grainger.com/product/GRAINGER-APPROVED-Bull-Nose-Corner-Guard-6YDC5>.\*

Wave Packaging: Site Visited [Mar. 31, 2019]. Available from Internet URL: <https://www.rationalpackaging.com/>.\*

\* cited by examiner

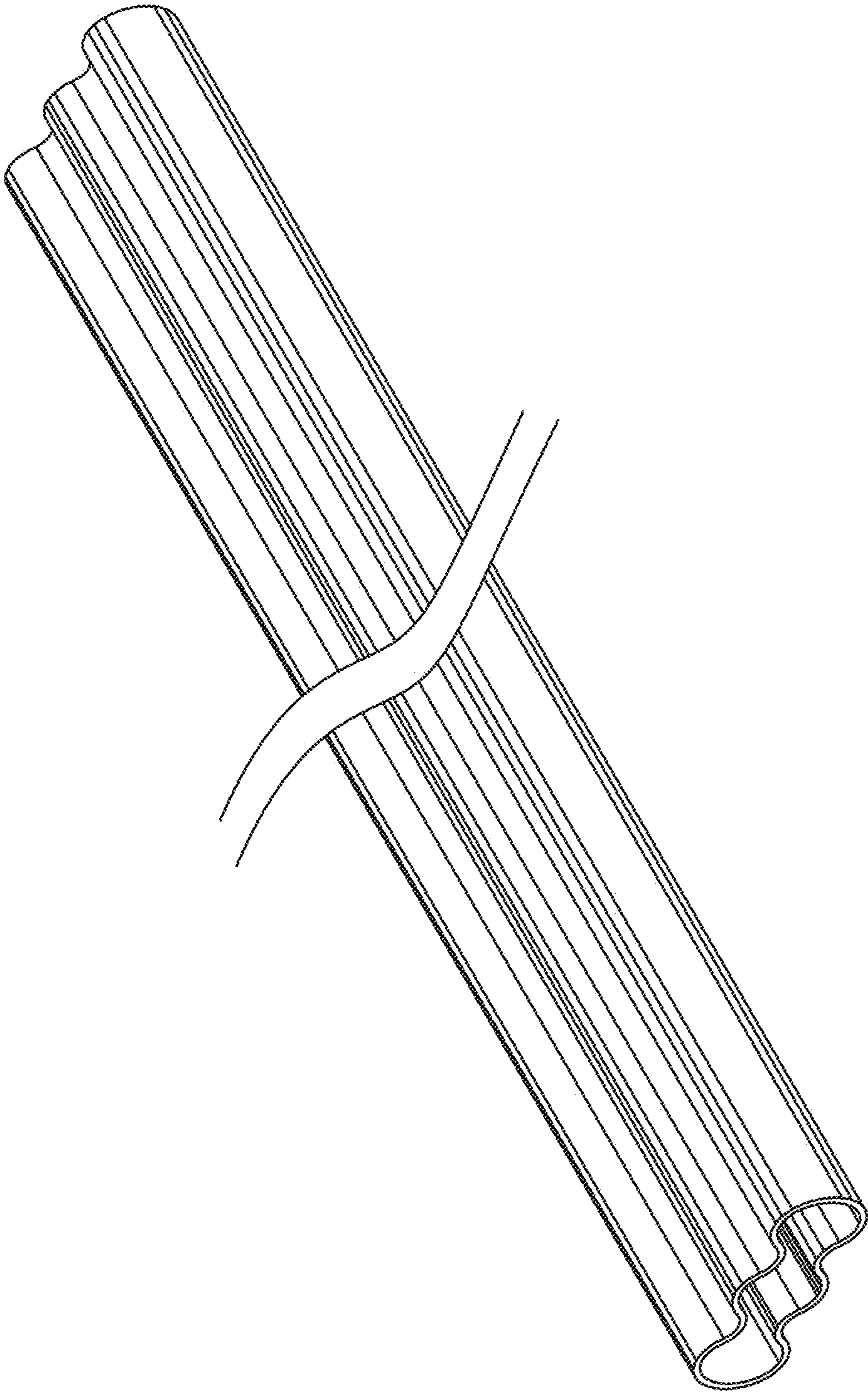


FIG.1



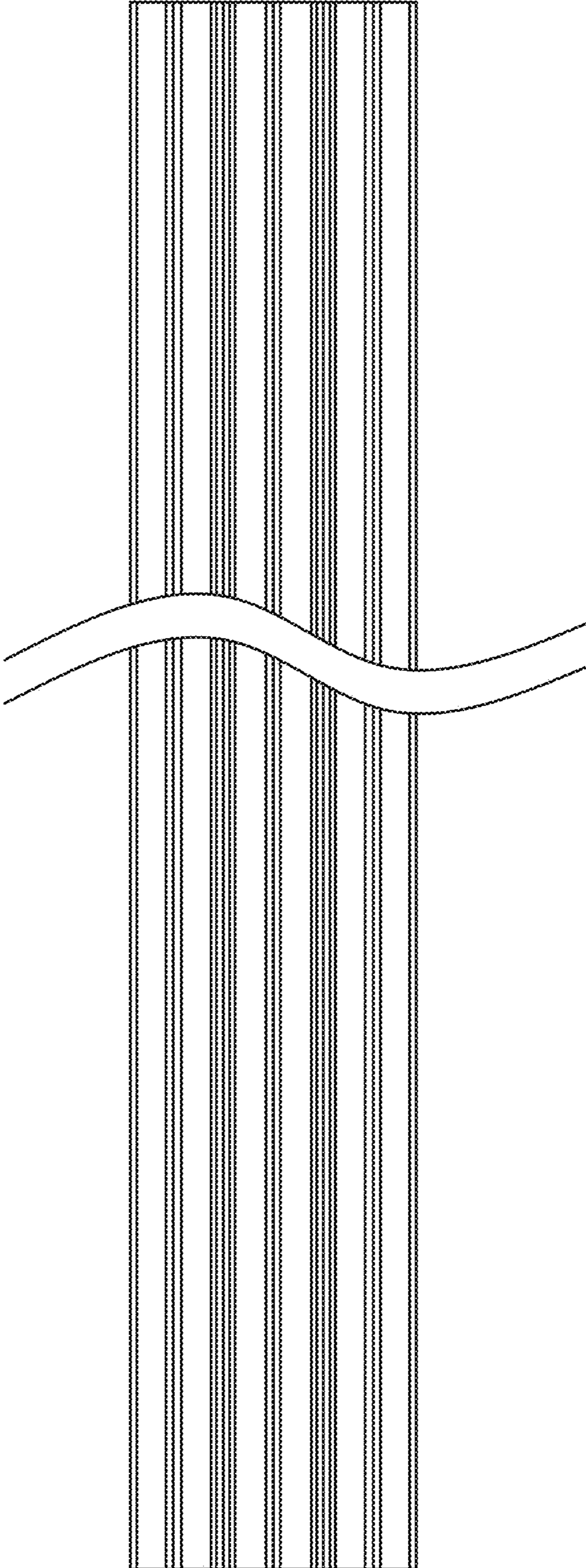
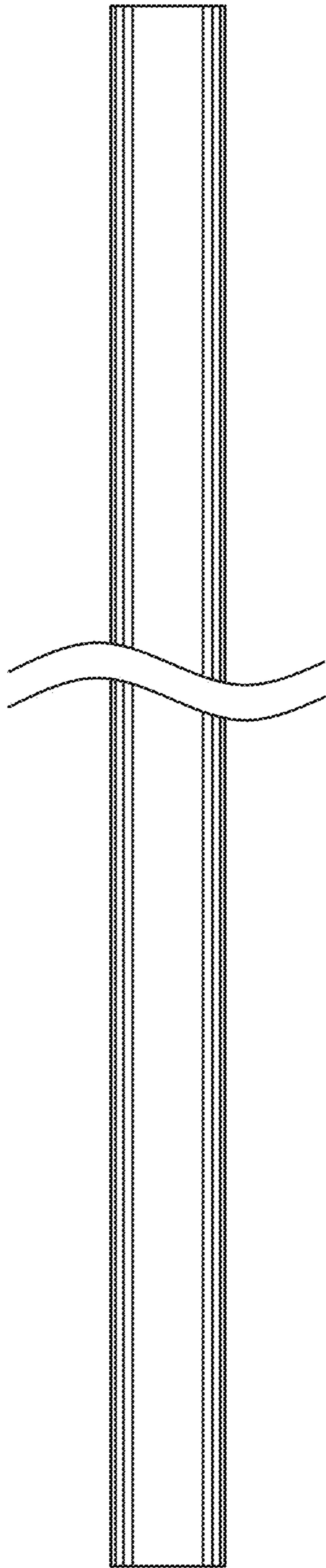
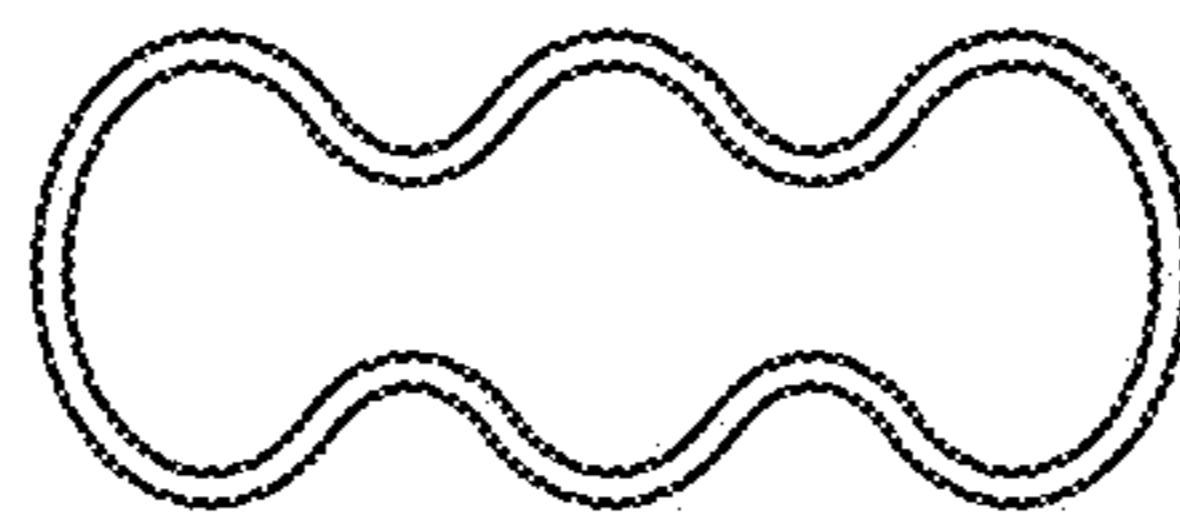


FIG. 2



**FIG. 3**



**FIG.4**