



US00D874278S

(12) **United States Design Patent** (10) **Patent No.:** **US D874,278 S**
Leal Cerda (45) **Date of Patent:** **** Feb. 4, 2020**

(54) **SUPPORT POST FOR PACKAGING SYSTEM**

(71) Applicant: **CARGA SEGURA, S. DE R. L. MI,**
Garcia (MX)

(72) Inventor: **Miguel Ángel Leal Cerda,** Garcia
(MX)

(**) Term: **15 Years**

(21) Appl. No.: **29/628,543**

(22) Filed: **Dec. 5, 2017**

(51) **LOC (12) Cl.** **09-07**

(52) **U.S. Cl.**
USPC **D9/456**

(58) **Field of Classification Search**
USPC D3/304, 318, 319; D7/387, 388, 391,
D7/392.1, 396.1, 396.6, 403, 409, 504,
D7/511, 550.1, 553.1, 553.2, 566, 568,
D7/601, 602, 614, 615, 629, 701, 703,
D7/707, 708; D9/414, 416, 424, 425,
D9/426, 427, 428, 430, 432, 433, 434,
D9/435, 436, 456, 601, 602, 701, 703,
D9/707, 708, 715, 721, 732, 736, 756,
D9/761; D19/34.1, 34.2, 34.4, 75, 96,
D19/97; D25/119, 120, 121, 122, 123,
D25/126, 129, 138, 142; D6/300;
D20/43, 44
CPC B65B 11/045; B65B 31/028; B65D 91/04;
B65D 81/02; B65D 81/054; B65D 71/04;
B65D 5/04; B65D 5/105; B65D 5/5035;
B65D 5/0004; B65D 5/4212; B65D
5/503; E04F 19/02; E05F 5/06; A47G
19/30

See application file for complete search history.

(56) **References Cited**

U.S. PATENT DOCUMENTS

D28,085 S * 12/1897 Sandstrom D25/121
D241,744 S * 10/1976 Betscher D25/123

D300,663 S * 4/1989 Liao D25/119
D318,334 S * 7/1991 Gibbs D25/123
D374,621 S * 10/1996 Salazar, Jr. D9/434
D462,266 S * 9/2002 Gittins D9/430
D473,663 S * 4/2003 Chou D25/122
D489,464 S * 5/2004 Barnett D25/119
D498,054 S * 11/2004 Moon D3/318
D525,091 S * 7/2006 Baxter D7/701
D549,849 S * 8/2007 Koeda D25/119
D552,760 S * 10/2007 Seiling D25/122
D560,823 S * 1/2008 Holland D25/122

(Continued)

OTHER PUBLICATIONS

Black and Yellow PVC Round Corner Protector: Site Visited [Mar. 31, 2019]. Available from Internet URL: <https://www.indiamart.com/proddetail/round-corner-protector-6644761297.html>.*

(Continued)

Primary Examiner — Jennifer Rivard
Assistant Examiner — Catherine S Posthauer
(74) *Attorney, Agent, or Firm* — Michael W. Goltry;
Robert A. Parsons; Parsons & Goltry, PLLC

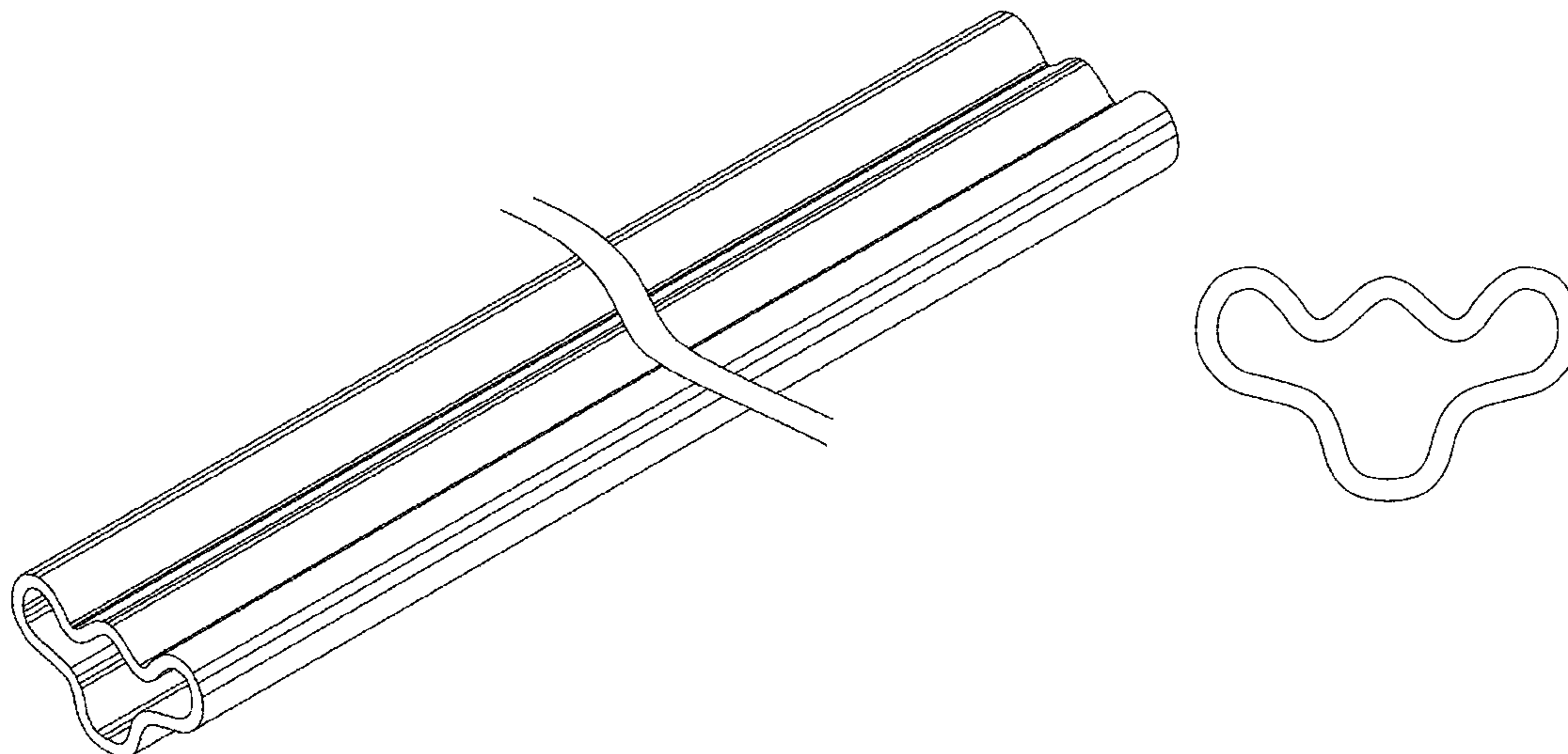
(57) **CLAIM**

The ornamental design for a support post for packaging system, as shown and described.

DESCRIPTION

FIG. 1 is a perspective view of a support post for packaging system showing my new design;
FIG. 2 is a top plan view thereof;
FIG. 3 is a bottom plan view thereof;
FIG. 4 is a right side elevation view thereof, the left side elevation view being the same thereof; and,
FIG. 5 is a front elevation view thereof, the rear elevation view being the same thereof.
The article is shown with a symbolic break in in the length. The appearance of any portion of the article between the break lines forms no part of the claimed design.

1 Claim, 5 Drawing Sheets



(56)

References Cited

U.S. PATENT DOCUMENTS

D561,354 S * 2/2008 Antonic D25/122
D587,366 S * 2/2009 Turkat D24/122
D603,241 S * 11/2009 Pearce D8/107
D641,243 S * 7/2011 Goliath D9/456
D659,195 S * 5/2012 Boltz D20/43
D661,813 S * 6/2012 Walker D25/38.1
D666,002 S * 8/2012 Lai D3/318
D670,502 S * 11/2012 Wu D3/318
D670,986 S * 11/2012 Somers, III D8/107
D671,407 S * 11/2012 Fay D9/434
D681,337 S * 5/2013 Wu D3/318
D715,633 S * 10/2014 Baker D8/403
D724,844 S * 3/2015 Julien D3/318
D727,734 S * 4/2015 Kwak D9/456
D771,277 S * 11/2016 McCue D25/125
D780,540 S * 3/2017 Koziol D7/701
2010/0000906 A1 * 1/2010 Muyskens B65D 5/5033
206/586

OTHER PUBLICATIONS

Bull Nose Corner Guard: Site Visited [Mar. 31, 2019]. Available from Internet URL: <https://www.grainger.com/product/GRAINGER-APPROVED-Bull-Nose-Corner-Guard-6YDC5>.*

Wave Packaging: Site Visited [Mar. 31, 2019]. Available from Internet URL: <https://www.rationalpackaging.com/>.*

* cited by examiner

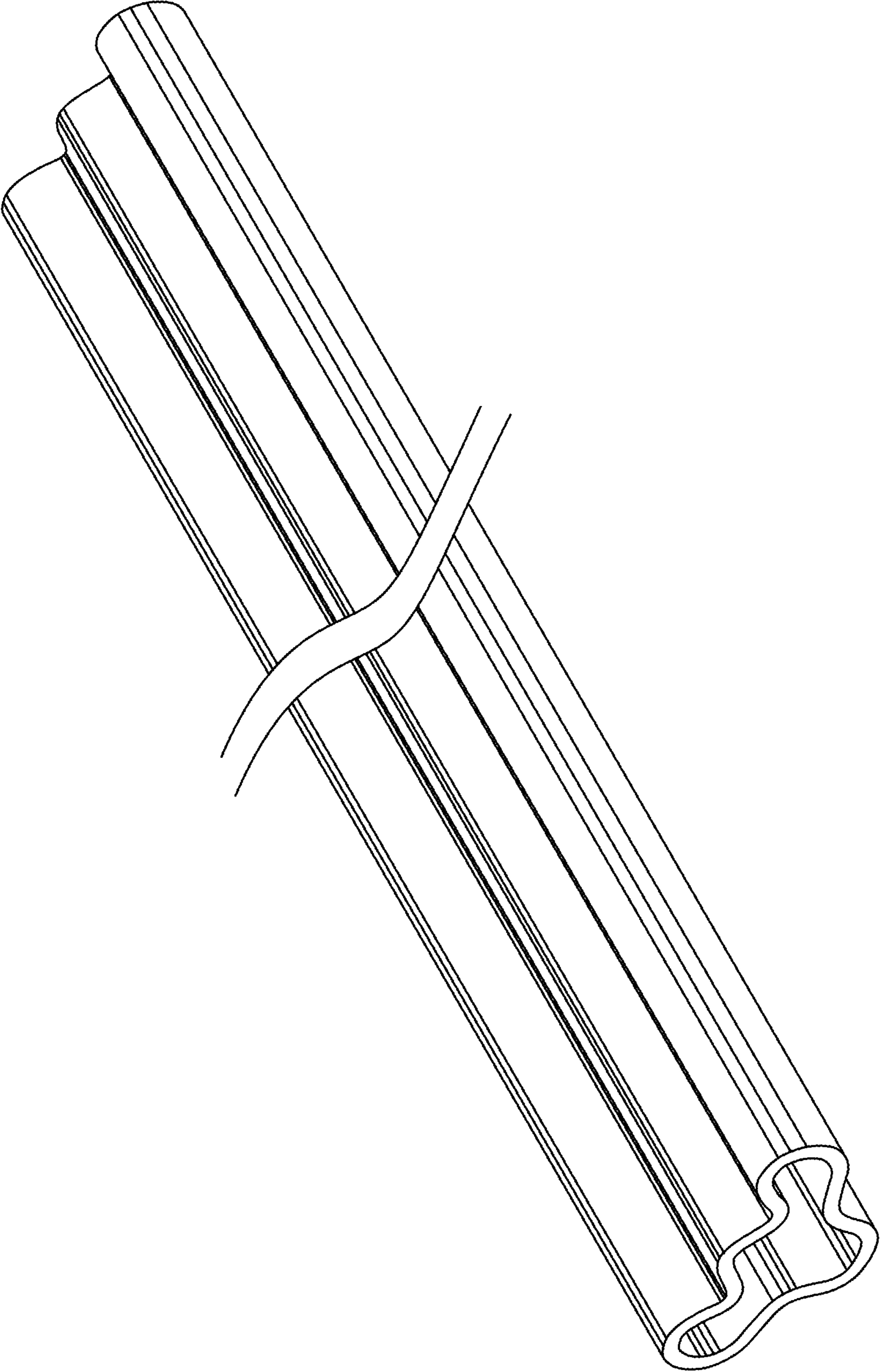


FIG.1

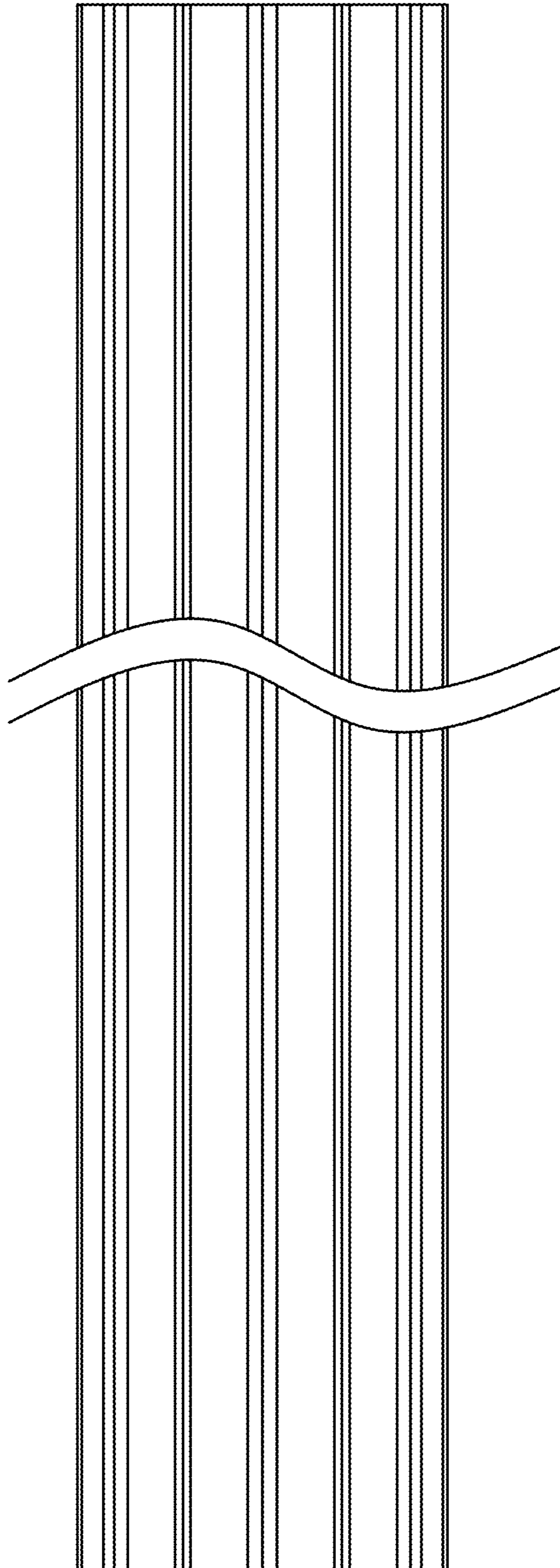


FIG.2

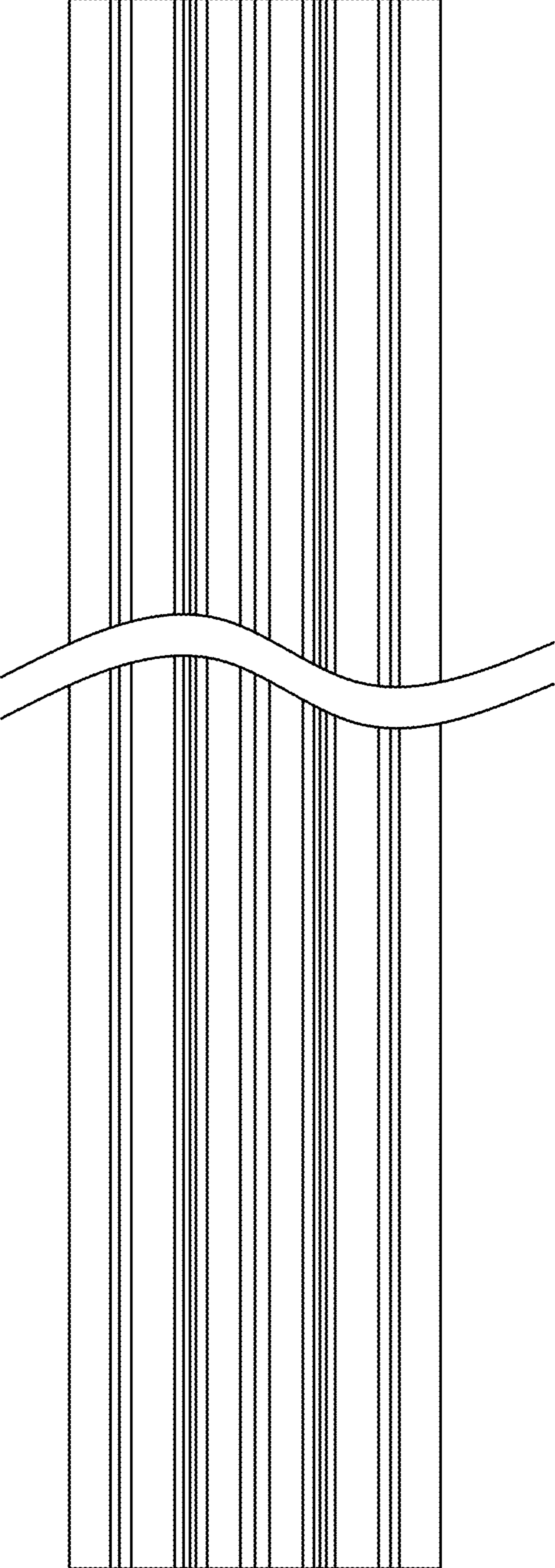


FIG.3

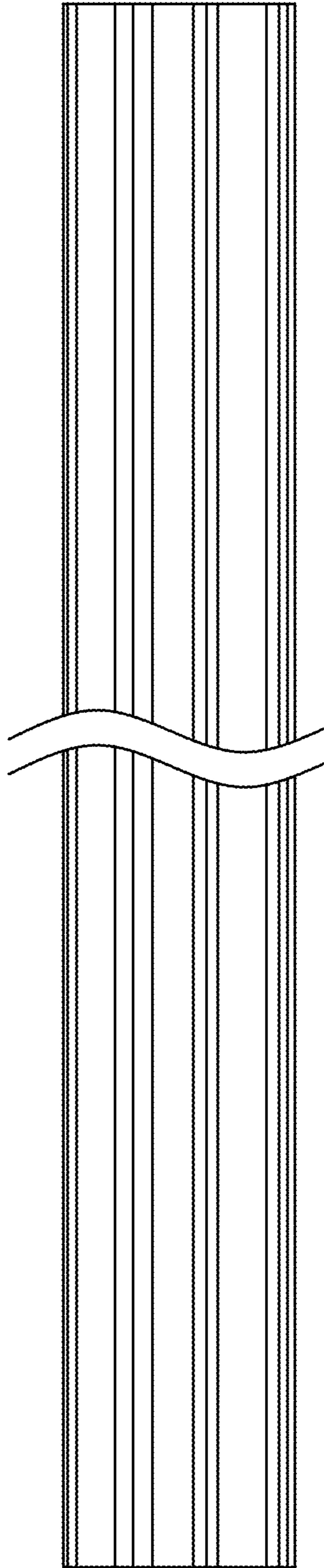


FIG.4

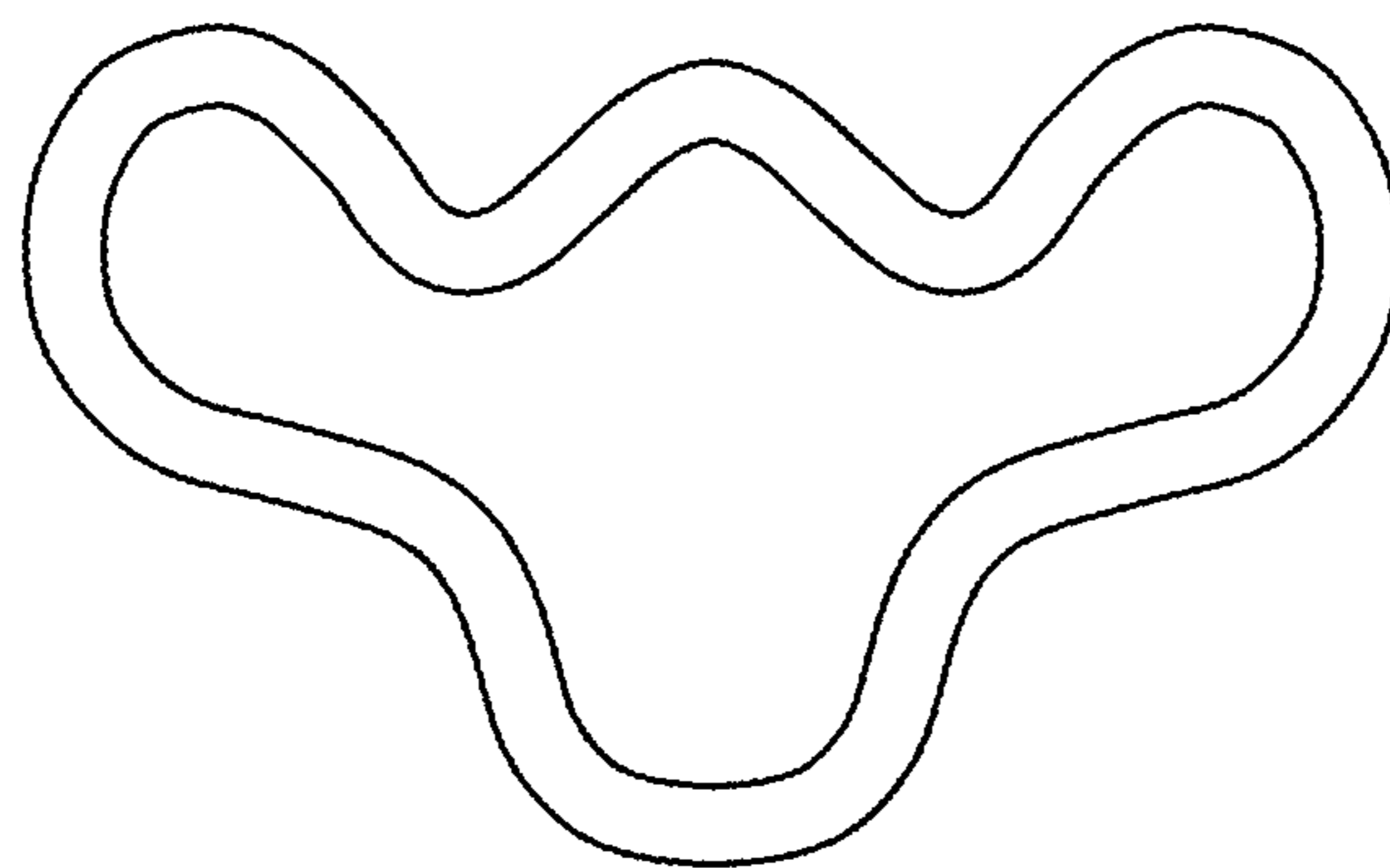


FIG.5