



US00D874276S

(12) **United States Design Patent** (10) **Patent No.:** **US D874,276 S**
Byron et al. (45) **Date of Patent:** **** Feb. 4, 2020**

(54) **BOTTLE CAP AND FITMENT ASSEMBLY**

(71) Applicant: **Kent Byron**, New Iberia, LA (US)

(72) Inventors: **Kent Byron**, Lafayette, LA (US); **Jason Burroughs**, Tampa, FL (US)

(73) Assignee: **Kent Byron**, New Iberia, LA (US)

(**) Term: **15 Years**

(21) Appl. No.: **29/709,396**

(22) Filed: **Oct. 14, 2019**

Related U.S. Application Data

(62) Division of application No. 29/626,394, filed on Nov. 16, 2017, now Pat. No. Des. 867,884.

(51) **LOC (12) Cl.** **09-07**

(52) **U.S. Cl.**
USPC **D9/453**

(58) **Field of Classification Search**
USPC D9/414, 434-436, 438-440, 443-457,
D9/499, 503-505, 682, 685, 686;
D7/387, 391, 392, 392.1, 396.2-396.4,
D7/401.1, 507, 509-511, 538, 900;
D3/202, 203.2, 318; D28/91.1
CPC .. A61J 1/00; A61J 1/1412; B65D 1/00; B65D
1/02; B65D 1/10; B65D 1/46; B65D
5/46; B65D 41/00; B65D 41/38; B65D
41/56; B65D 41/62; B65D 47/00; B65D
47/06; B65D 47/08; B65D 2251/00;
B65D 2543/00046; B65D 2543/00092;
B65D 2543/00296; B65D 2585/56; B65D
2585/545

See application file for complete search history.

(56) **References Cited**

U.S. PATENT DOCUMENTS

2,082,614 A 6/1937 Harold
D127,331 S 5/1941 Rosenfeld

D145,738 S 10/1946 Lewis
D188,771 S 9/1960 Chaplin
D196,082 S * 8/1963 Stull D9/453
3,149,611 A 9/1964 Harrison
5,579,943 A 12/1996 Johnson
D389,062 S * 1/1998 Ekkert D9/453
5,797,509 A 8/1998 Fitch
6,003,701 A 12/1999 Hidding
6,085,919 A 7/2000 Singer
D446,122 S 8/2001 Weinstein
D451,393 S 12/2001 Gerhart
D460,357 S 7/2002 Kras
D481,314 S 10/2003 Noonan

(Continued)

Primary Examiner — Michael A. Pratt
Assistant Examiner — Wendy L Arminio
(74) *Attorney, Agent, or Firm* — Jones Walker LLP

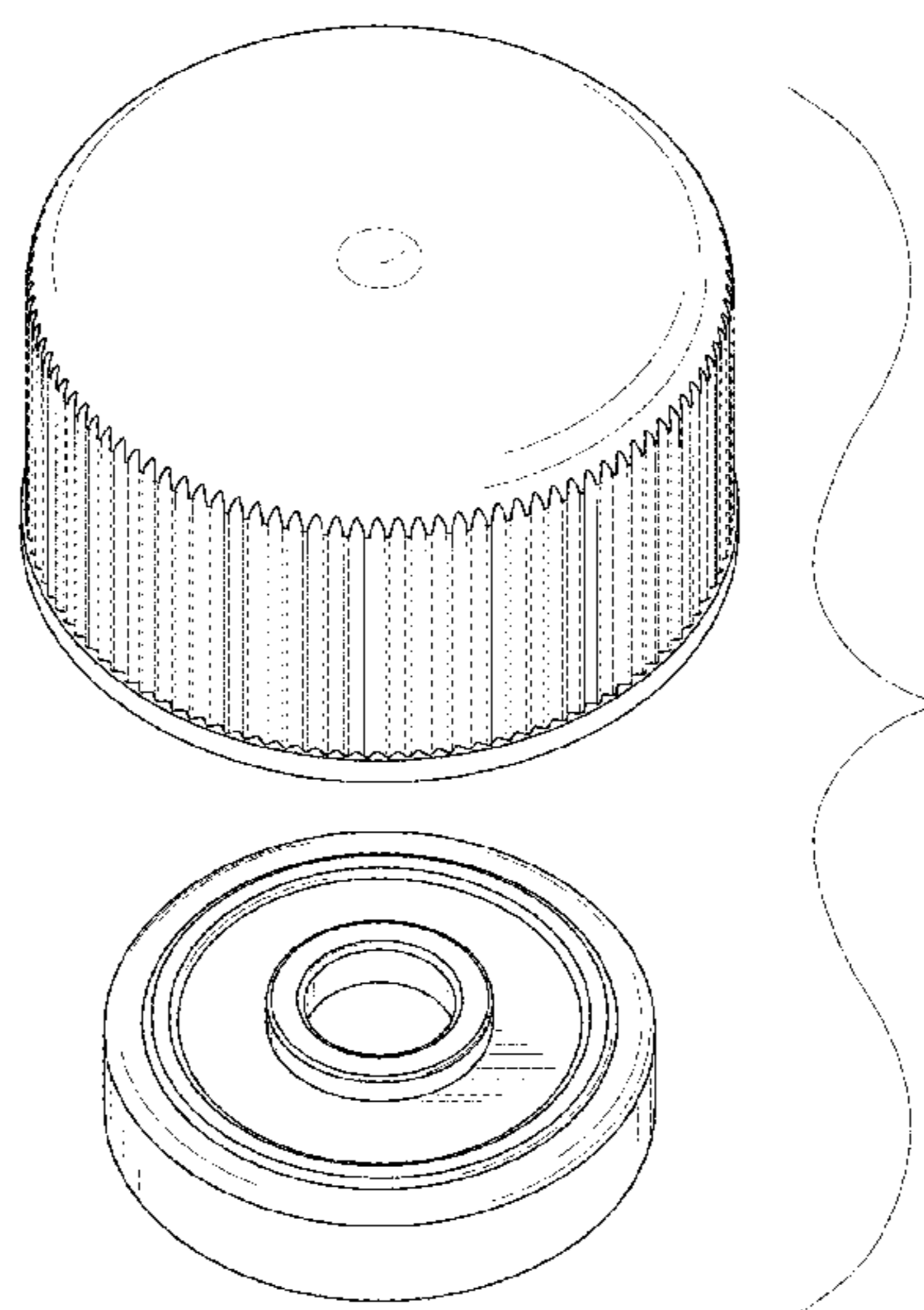
(57) **CLAIM**

We claim the ornamental design for a bottle cap and fitment assembly, as shown and described.

DESCRIPTION

FIG. 1 is a top perspective exploded view of a bottle cap and fitment assembly showing our new design;
FIG. 2 is a bottom perspective exploded view thereof;
FIG. 3 is a front exploded view thereof;
FIG. 4 is a bottom perspective view of the bottle cap and fitment assembly of FIG. 1 shown in an assembled configuration;
FIG. 5 is a front view thereof;
FIG. 6 is a top view thereof;
FIG. 7 is a bottom view thereof; and,
FIG. 8 is a sectional view thereof taken in the direction of line 8-8 in FIG. 6.
The rear view, the right side view, and the left side view of the bottle cap and fitment assembly shown in FIGS. 1-8 are each identical to the front view shown in FIG. 5.

1 Claim, 3 Drawing Sheets



(56)

References Cited

U.S. PATENT DOCUMENTS

D512,636 S 12/2005 Pace
 6,983,857 B2 1/2006 Miller
 D518,717 S 4/2006 German
 D518,718 S * 4/2006 von Spreckelsen D9/453
 D518,719 S * 4/2006 von Spreckelsen D9/453
 D519,030 S * 4/2006 Matsuda D9/453
 D548,101 S 8/2007 Elgebrant
 D579,775 S * 11/2008 Dixon D9/500
 D584,149 S * 1/2009 Lohrman D9/453
 D606,864 S * 12/2009 Robinson D9/453
 D614,952 S 5/2010 Caserta
 D632,958 S * 2/2011 Fuchs D9/453
 D643,288 S * 8/2011 Taylor D9/453
 D681,462 S * 5/2013 Taylor D9/453
 D681,465 S * 5/2013 Cox D9/453
 D687,299 S 8/2013 Peykoff
 D734,669 S 7/2015 Crosta
 9,237,608 B2 1/2016 Barclay
 D751,902 S 3/2016 Sturk
 D762,115 S * 7/2016 Corvaglia D9/443
 D769,120 S 10/2016 Albuquerque
 D789,201 S 6/2017 Yu

D792,219 S 7/2017 Bueno Nunez
 D796,961 S * 9/2017 Klein D9/522
 D799,925 S * 10/2017 Wheeler D8/33
 D799,963 S 10/2017 Akiyama
 9,795,165 B2 10/2017 Bried
 D820,037 S 6/2018 Ivankovic
 D824,760 S 8/2018 Lebon
 D824,763 S 8/2018 Suess
 D842,703 S * 3/2019 Lam D9/528
 D848,844 S * 5/2019 Byron D9/454
 10,414,564 B2 * 9/2019 Shively B65D 55/16
 2003/0071042 A1 4/2003 Adams
 2005/0172814 A1 8/2005 Brunk
 2006/0124575 A1 6/2006 Mavin
 2010/0072163 A1 * 3/2010 Krause B65D 41/0414
 215/230
 2010/0200532 A1 8/2010 Ekkert
 2011/0031251 A1 2/2011 Seok
 2012/0031871 A1 2/2012 Molinaro
 2013/0092691 A1 4/2013 Sato
 2015/0320639 A1 11/2015 Perot
 2018/0208376 A1 7/2018 Dunwoody
 2019/0144169 A1 * 5/2019 Byron B65D 41/0457
 215/316

* cited by examiner

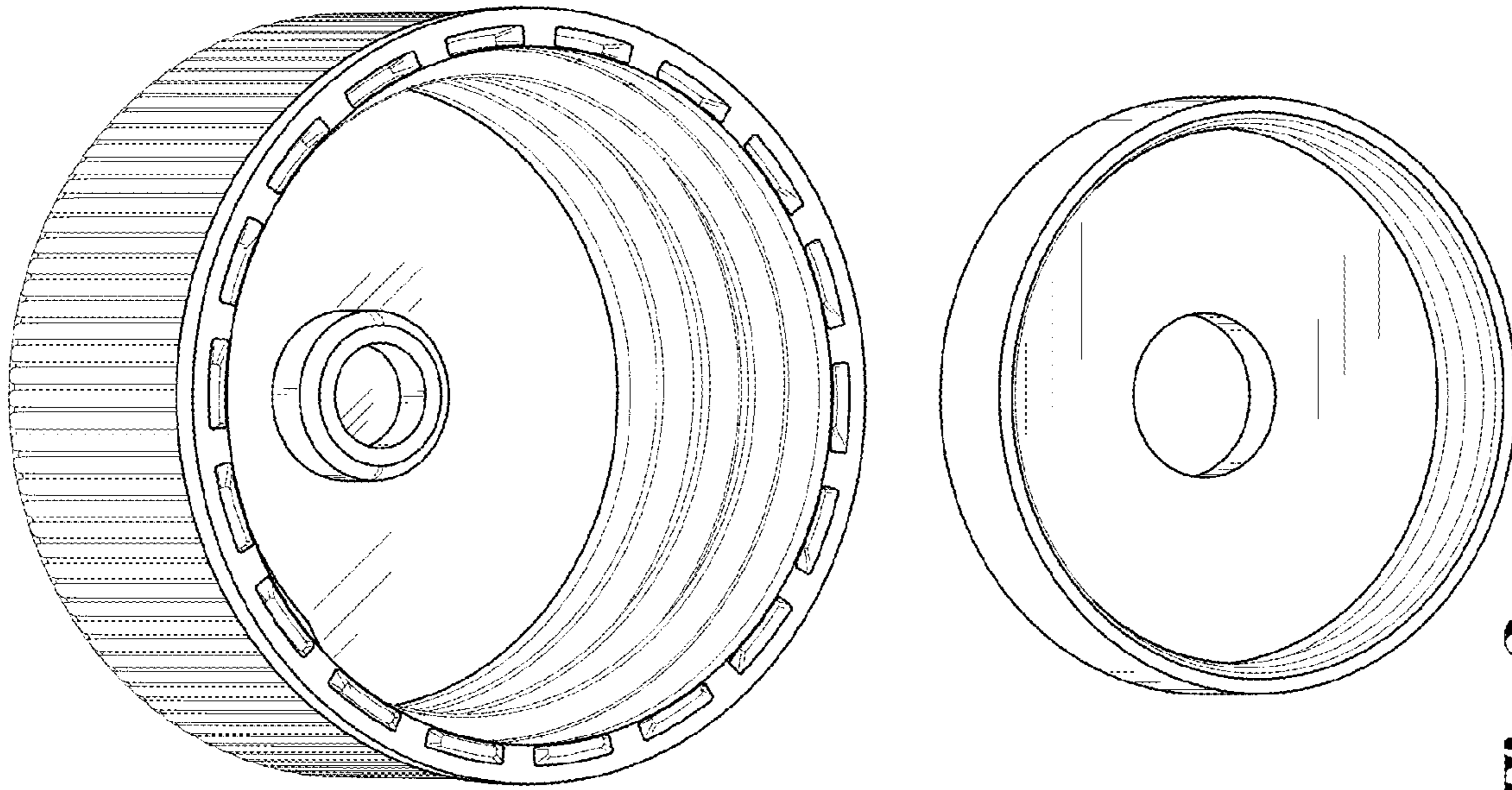


Fig. 2

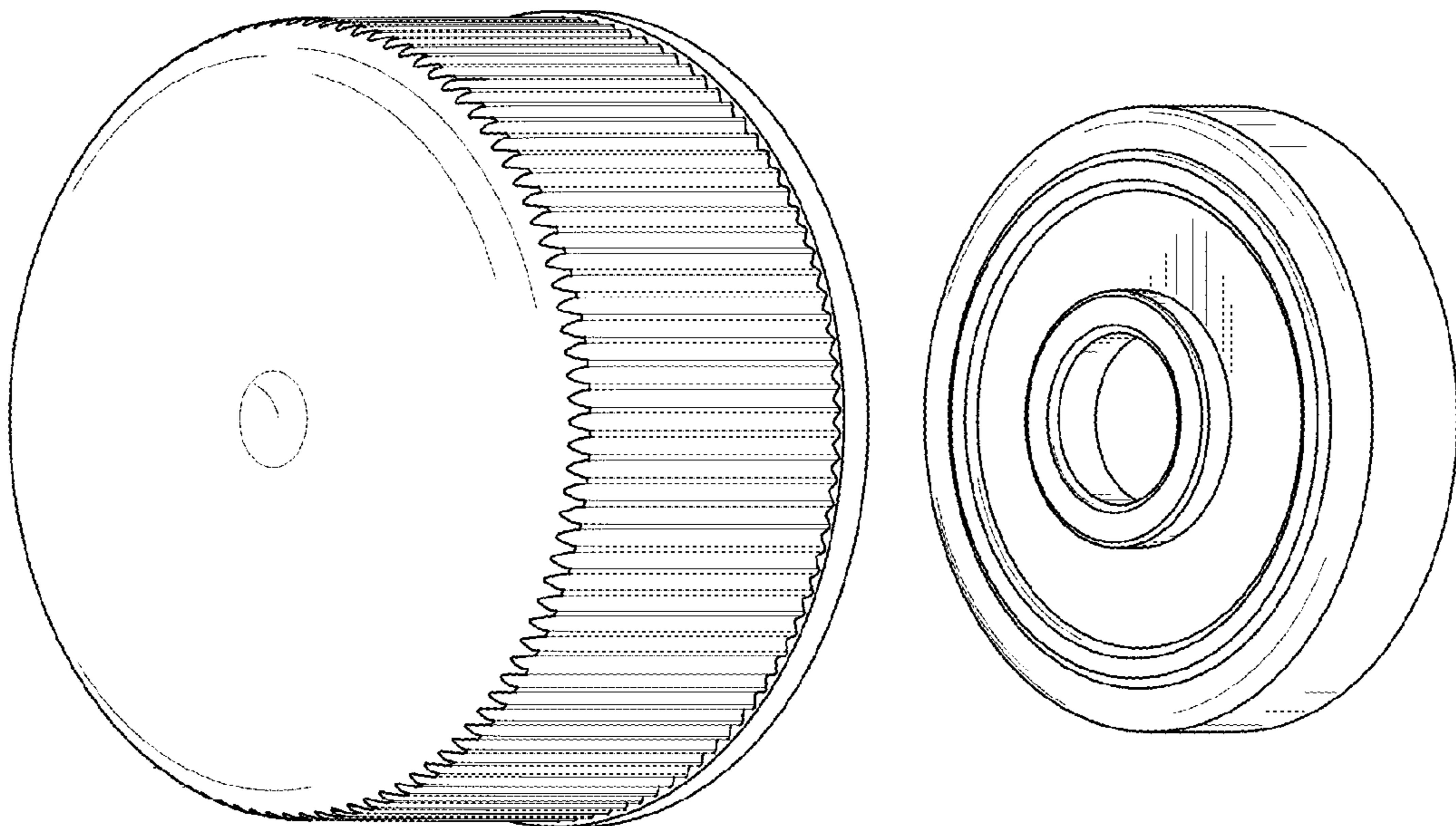


Fig. 1

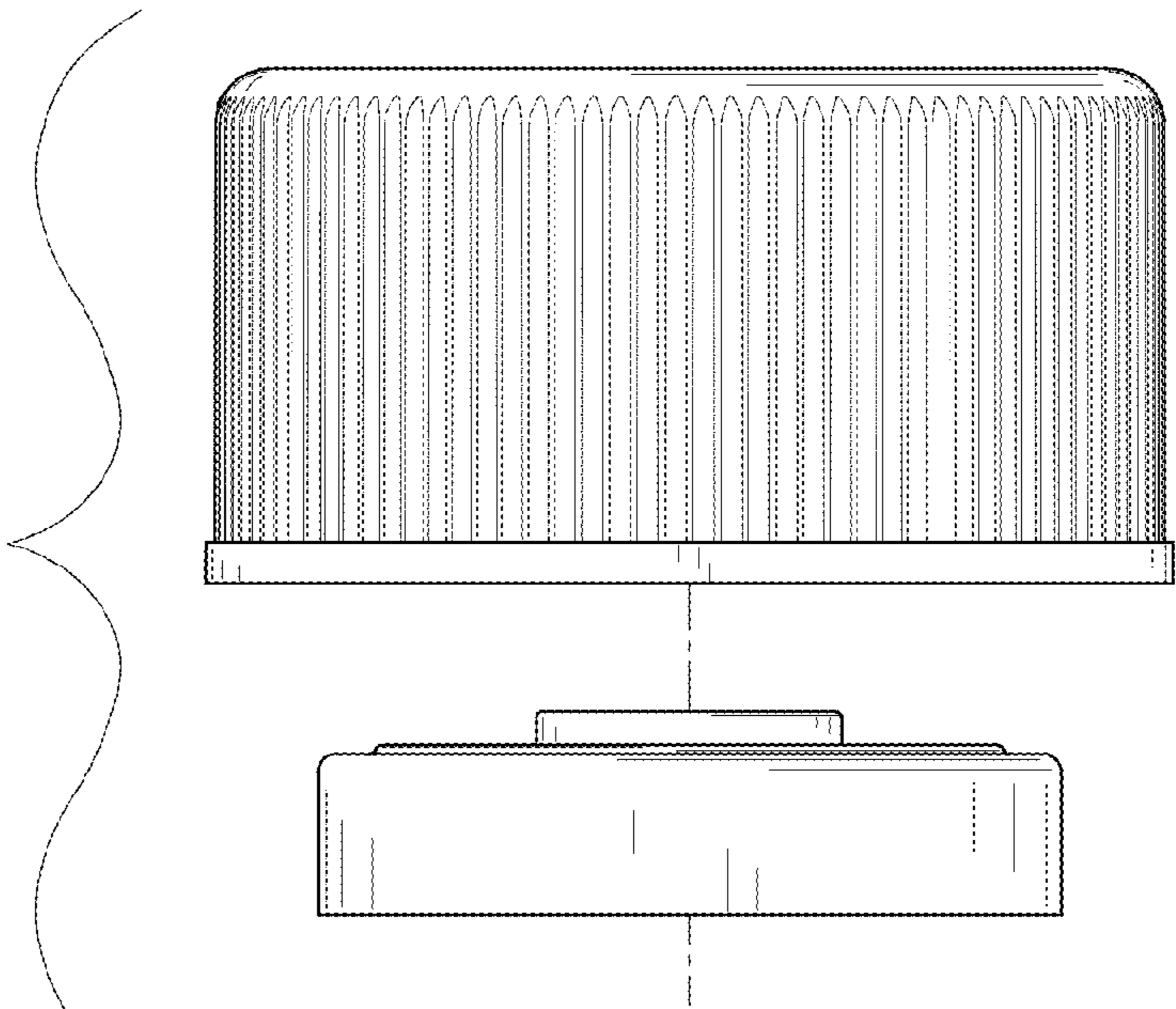


Fig. 3

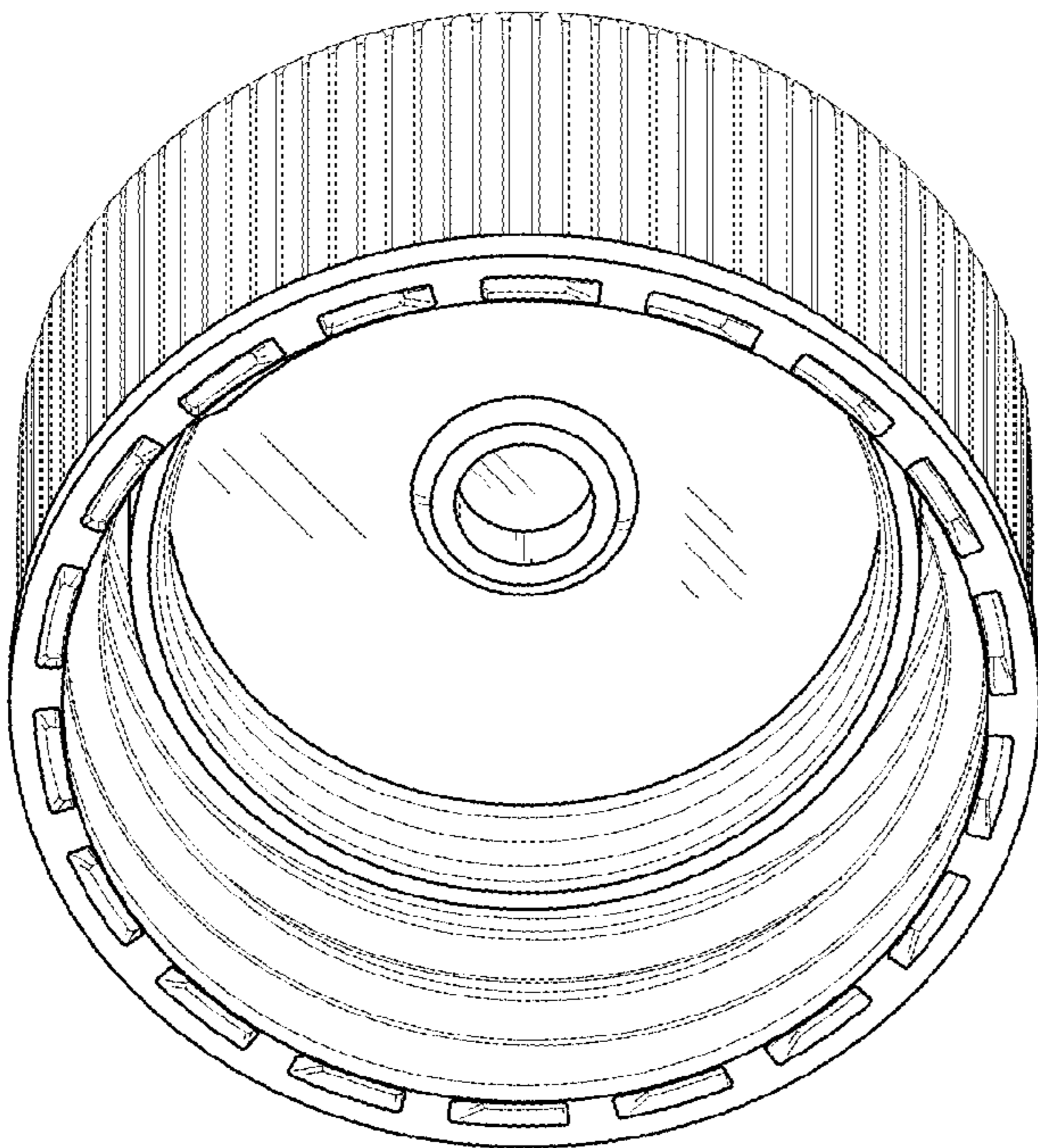


Fig. 4

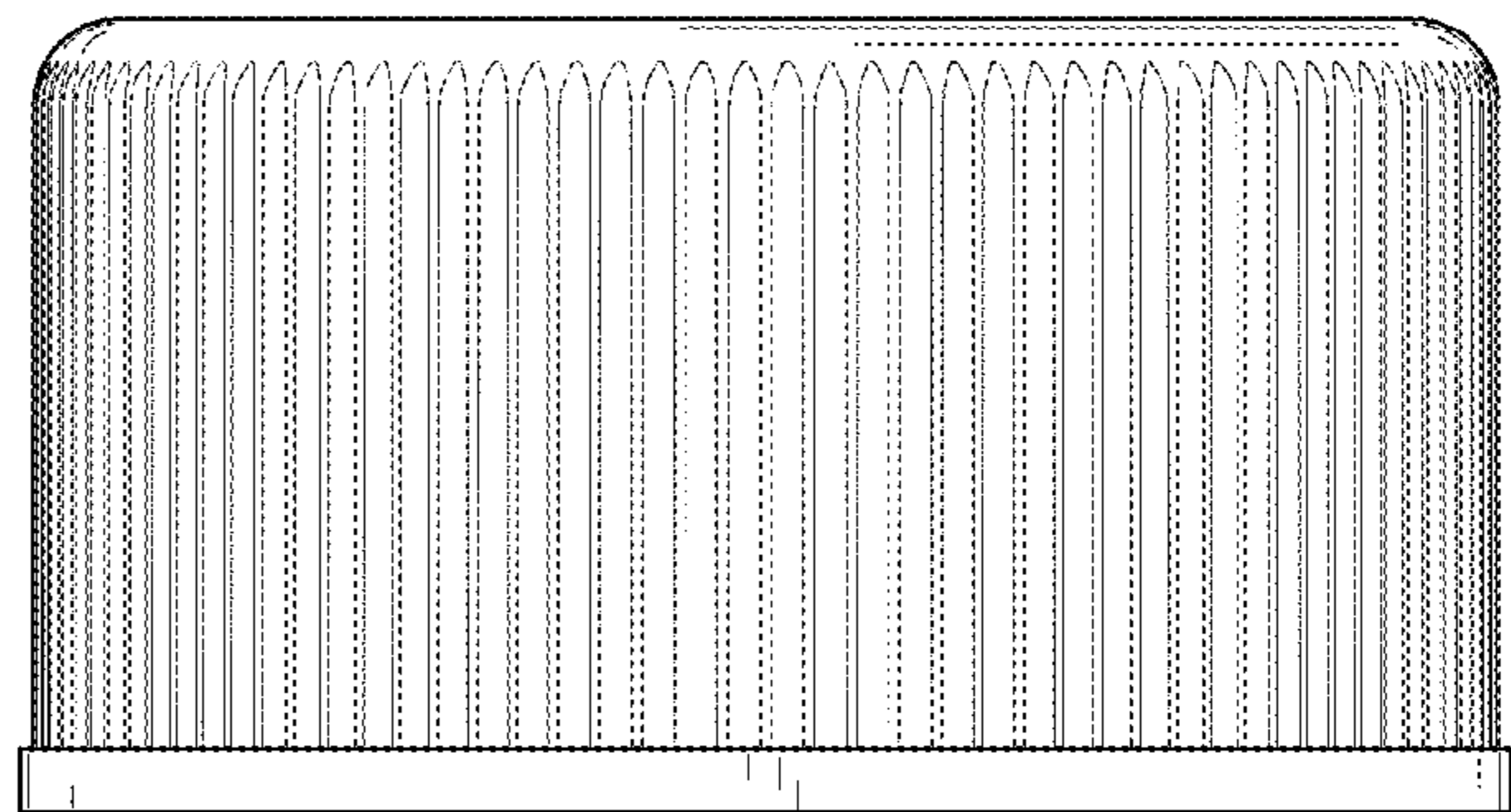


Fig. 5

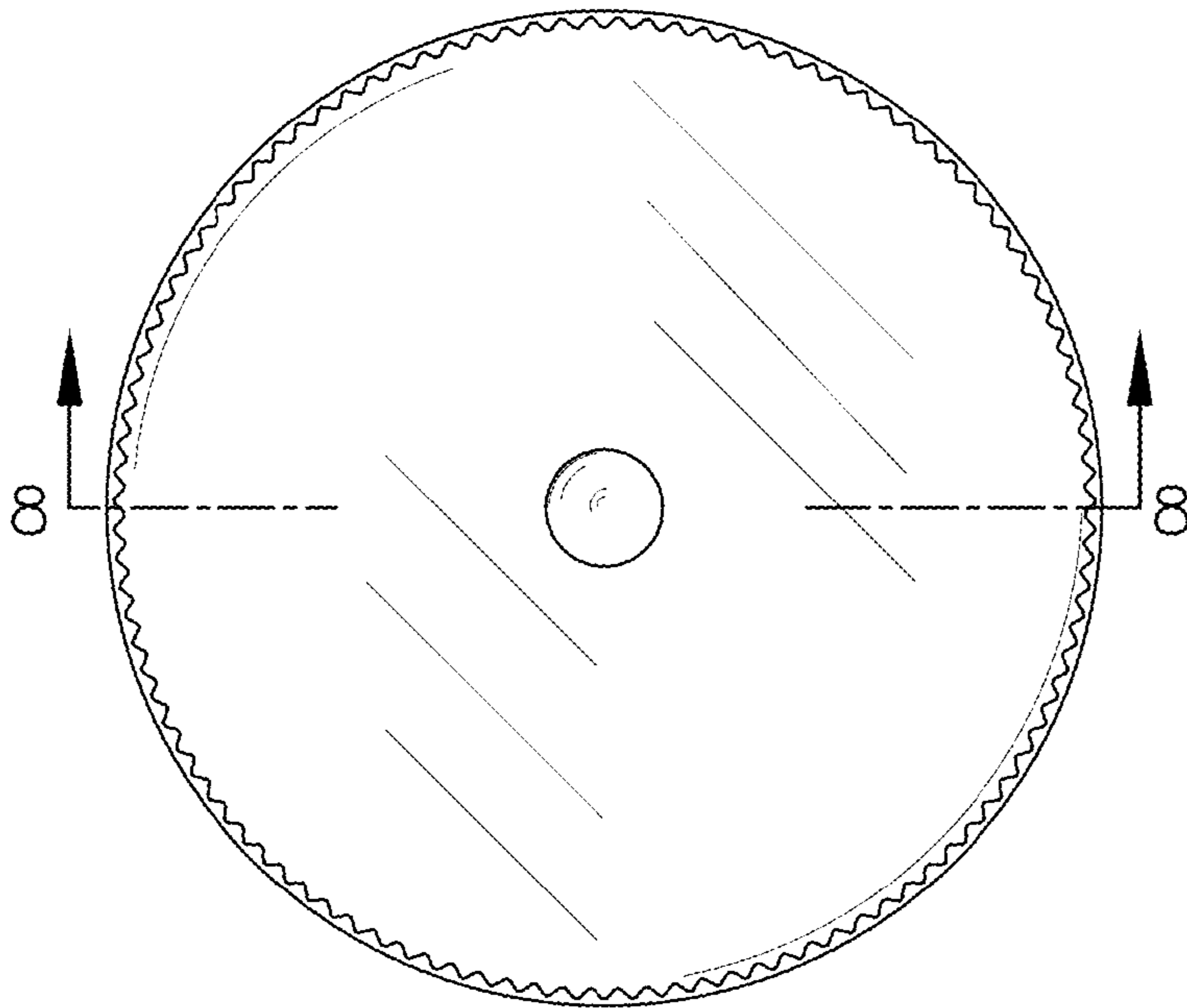


Fig. 6

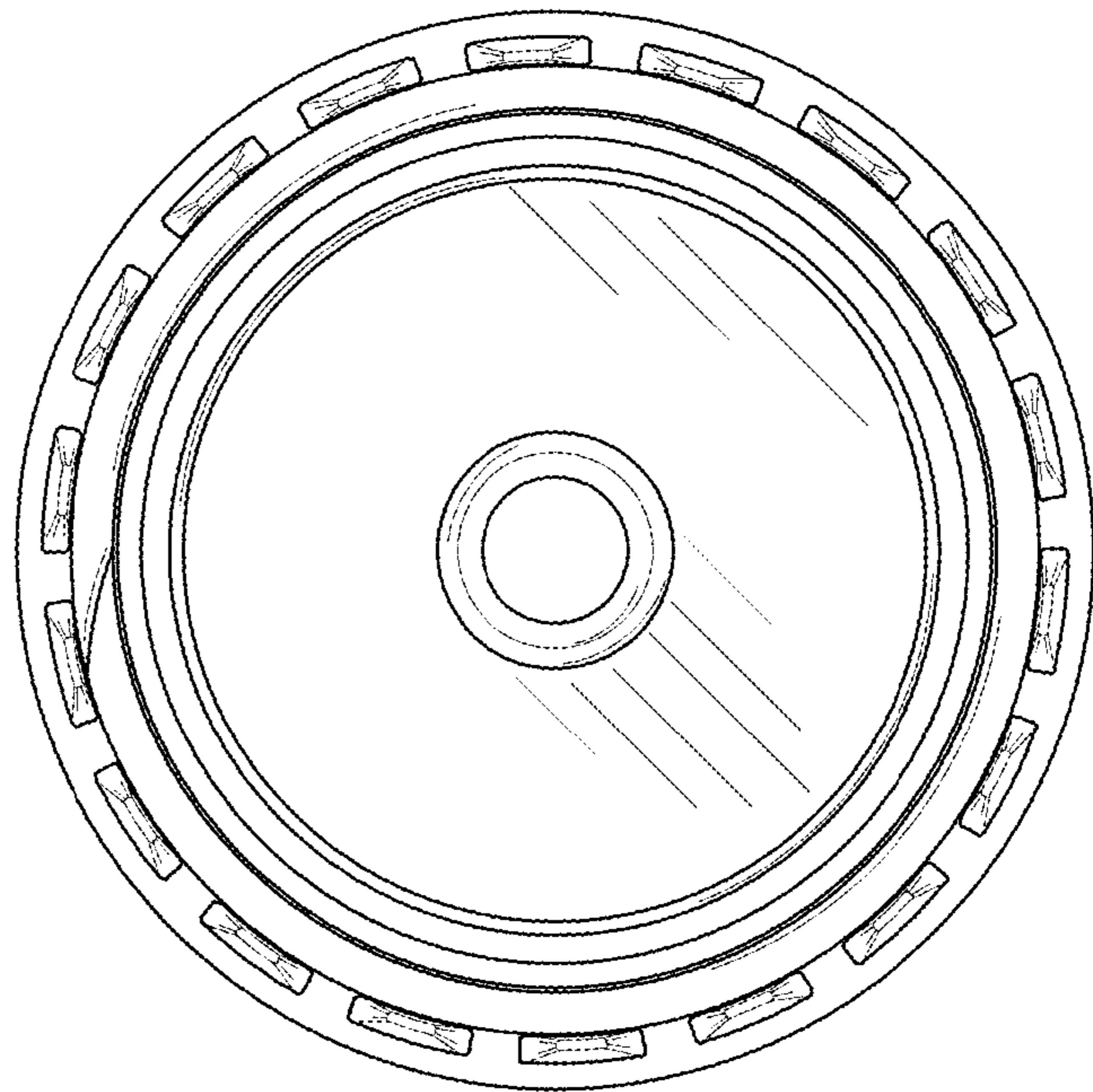


Fig. 7

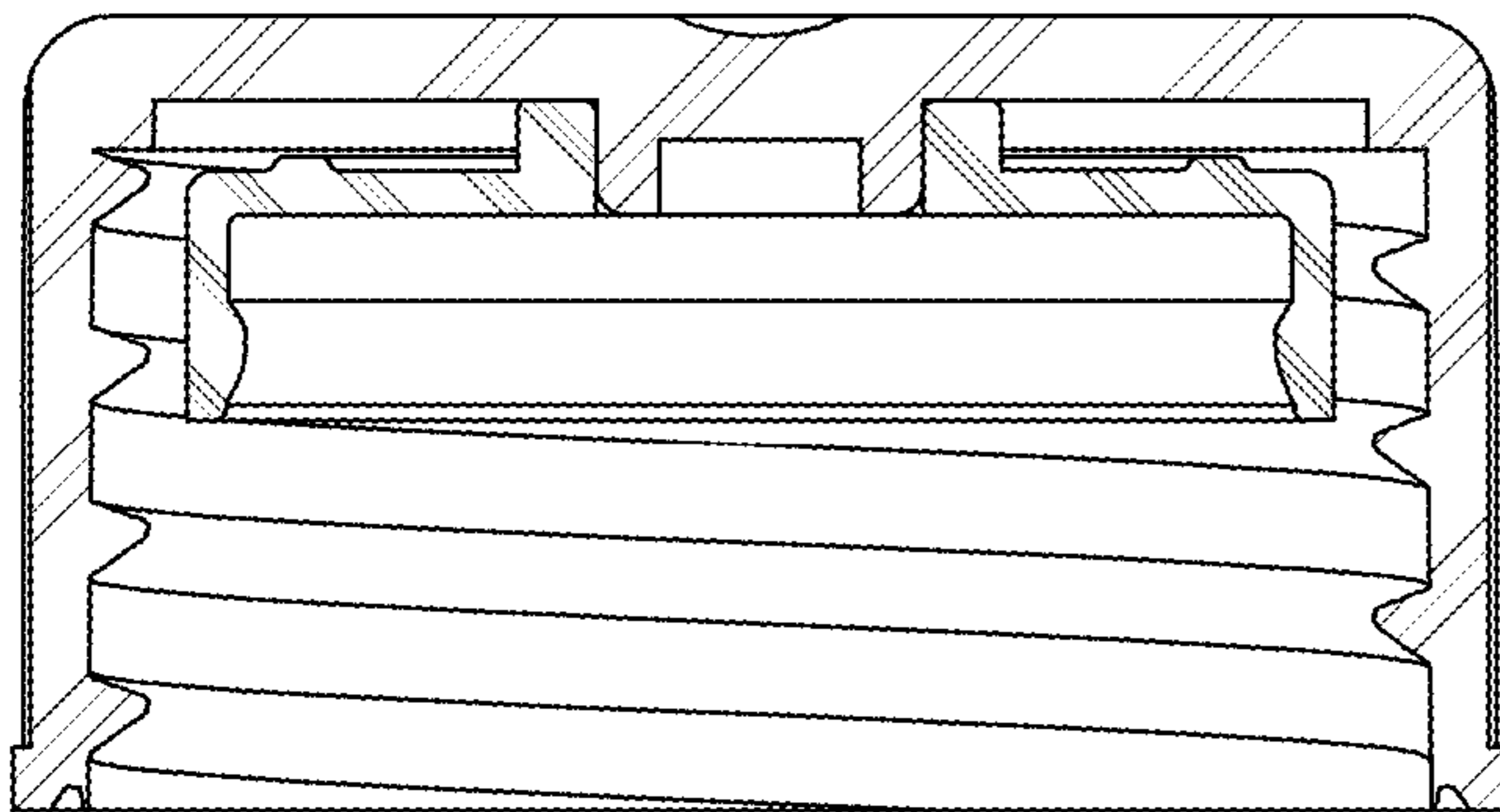


Fig. 8