



US00D874275S

(12) **United States Design Patent** (10) **Patent No.:** **US D874,275 S**
Katopis (45) **Date of Patent:** **** Feb. 4, 2020**

(54) **SKULL-THEMED PACKAGING CONTAINER**

(71) Applicant: **Chris J. Katopis**, Washington, DC (US)

(72) Inventor: **Chris J. Katopis**, Washington, DC (US)

(73) Assignee: **Dorothy Katopis**, Hollis Hills, NY (US)

(**) Term: **15 Years**

(21) Appl. No.: **29/662,758**

(22) Filed: **Sep. 7, 2018**

(51) **LOC (12) Cl.** **09-07**

(52) **U.S. Cl.**

USPC **D9/451**; D9/454; D9/626

(58) **Field of Classification Search**

USPC D9/600, 624-629, 500-505, 516, 519, D9/434-454; 206/457, 494, 459.5, 527, 206/540; 229/116.1; 215/381-384, 400; D7/514-520, 539, 544, 571, 594, 599, D7/604, 613, 619.2, 623, 625, 628-630, D7/391-392.1; D3/270-271.8; D11/53-55, 63, 68, 82-84, 99-102, D11/105-106, 115, 128; D20/23-26, D20/30-32; D21/661

CPC B65D 67/00; B65D 81/36; B65D 81/60; B65D 81/368; B65D 37/00; B65D 5/42; B65D 5/4208; B65D 77/00; A63H 33/10; A63H 33/16

See application file for complete search history.

(56) **References Cited**

U.S. PATENT DOCUMENTS

D49,569 S * 8/1916 Burtchaell D9/626
D55,985 S * 8/1920 Richelieu et al. D20/24
D269,448 S 6/1983 Fisher et al.
D430,358 S * 8/2000 Papiernik D28/91.1

D451,625 S 12/2001 Sehl
D459,213 S 6/2002 Buboltz et al.
D460,354 S 7/2002 Goldiner et al.
D460,572 S 7/2002 Lee
D483,905 S * 12/2003 Berounsky D11/128
D504,621 S 5/2005 Bowling
D504,979 S * 5/2005 Lai D28/79
D515,937 S 2/2006 Bowling
D516,509 S 3/2006 Baker
D534,076 S * 12/2006 Green A45D 40/0068
D9/454
D540,649 S 4/2007 Hsu
D552,294 S 10/2007 Lin
D554,529 S * 11/2007 Green D9/726
D557,687 S 12/2007 Eisenbraun
D562,699 S * 2/2008 Green D9/504
D564,900 S * 3/2008 Green D9/504

(Continued)

OTHER PUBLICATIONS

Skull paint can lid, published Feb. 26, 2017. <http://craigstephens.blogspot.com/2017/02/skull-study-on-gallon-paint-can-lid.html>.*

Primary Examiner — Sandra L Morris

(57) **CLAIM**

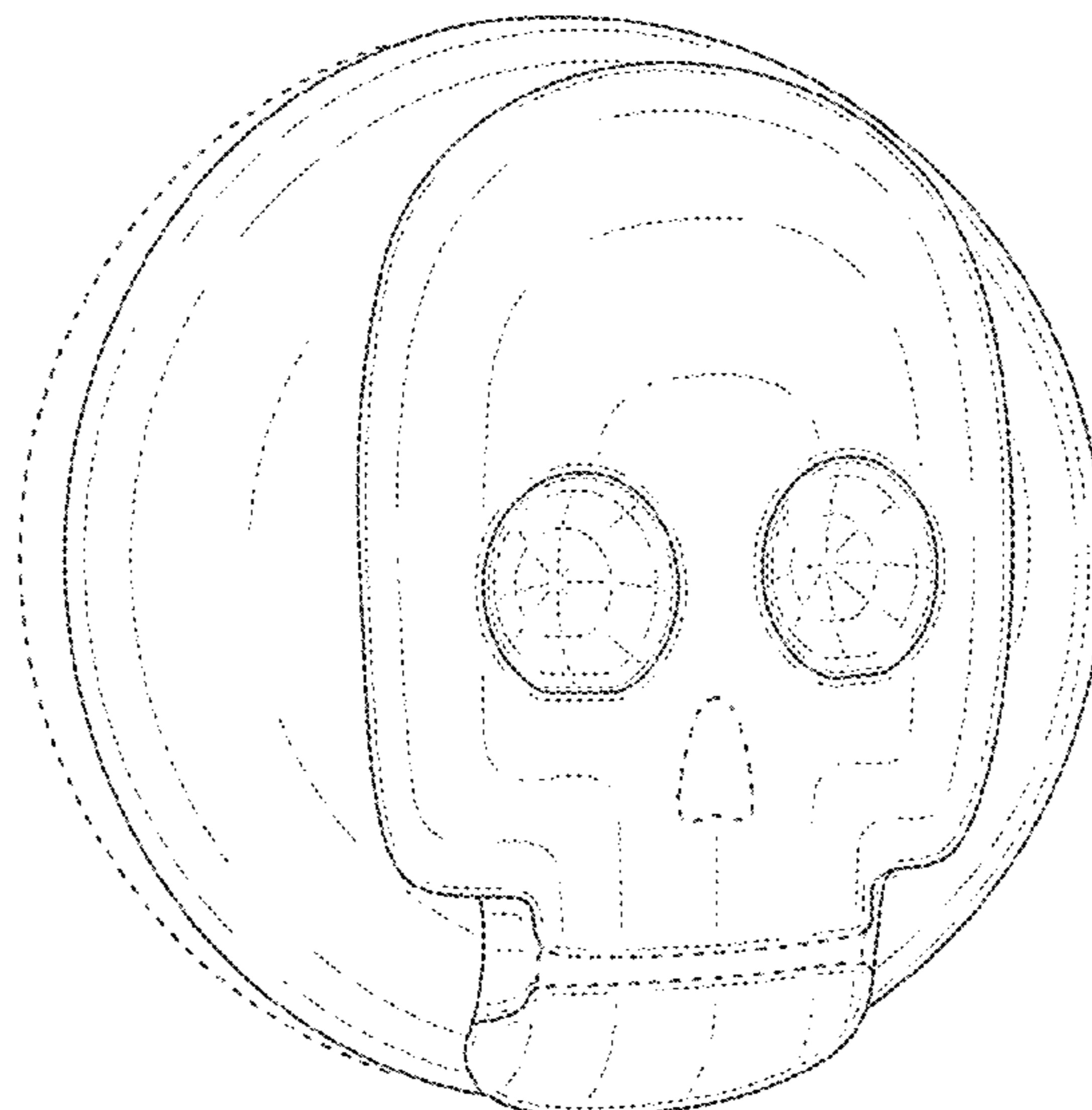
The ornamental design for a skull-themed packaging container, as shown and described.

DESCRIPTION

FIG. 1 is a front perspective view of a skull-themed packaging container, showing the new design; FIG. 2 is a front view thereof; FIG. 3 is a rear view thereof; FIG. 4 is a side view thereof; FIG. 5 is the opposite side view thereof; FIG. 6 is a top plan view thereof; and, FIG. 7 is a bottom view thereof.

In all figures, the broken lines showing the environmental subject matter are included for illustrative purposes and form no part of the claimed design.

1 Claim, 7 Drawing Sheets



(56)

References Cited

U.S. PATENT DOCUMENTS

D577,583 S	*	9/2008	Porter	A45D 40/0068	
					D9/453
D583,086 S		12/2008	van der Lande		
D610,458 S	*	2/2010	Martin	D9/504	
D610,549 S		2/2010	Baker		
D612,245 S	*	3/2010	Canamasas Puigbo	D9/519	
D613,450 S		4/2010	Chaoui		
D621,092 S		8/2010	Chaoui		
D650,280 S	*	12/2011	de Peyerimhoff	D9/454	
D656,206 S		3/2012	Lutz et al.		
D689,770 S		9/2013	Leon Fernandez		
D696,555 S	*	12/2013	Kolano	D7/590	
D714,159 S	*	9/2014	Fallon	D9/626	
D746,683 S	*	1/2016	Fahl	D9/454	
D771,762 S		11/2016	Cantor		
D773,586 S		12/2016	Sharps		
D786,306 S		5/2017	Katopis		
D788,450 S		6/2017	Ghoulmore		
D800,073 S		10/2017	Zhu		
D800,448 S		10/2017	Ghoulmore		
D804,607 S		12/2017	Cantor		
D808,551 S		1/2018	Chi		
D810,357 S		2/2018	Stephenson		
D811,634 S		2/2018	Cantor		
D824,072 S		7/2018	Contreras		
D824,564 S		7/2018	Contreras		

* cited by examiner

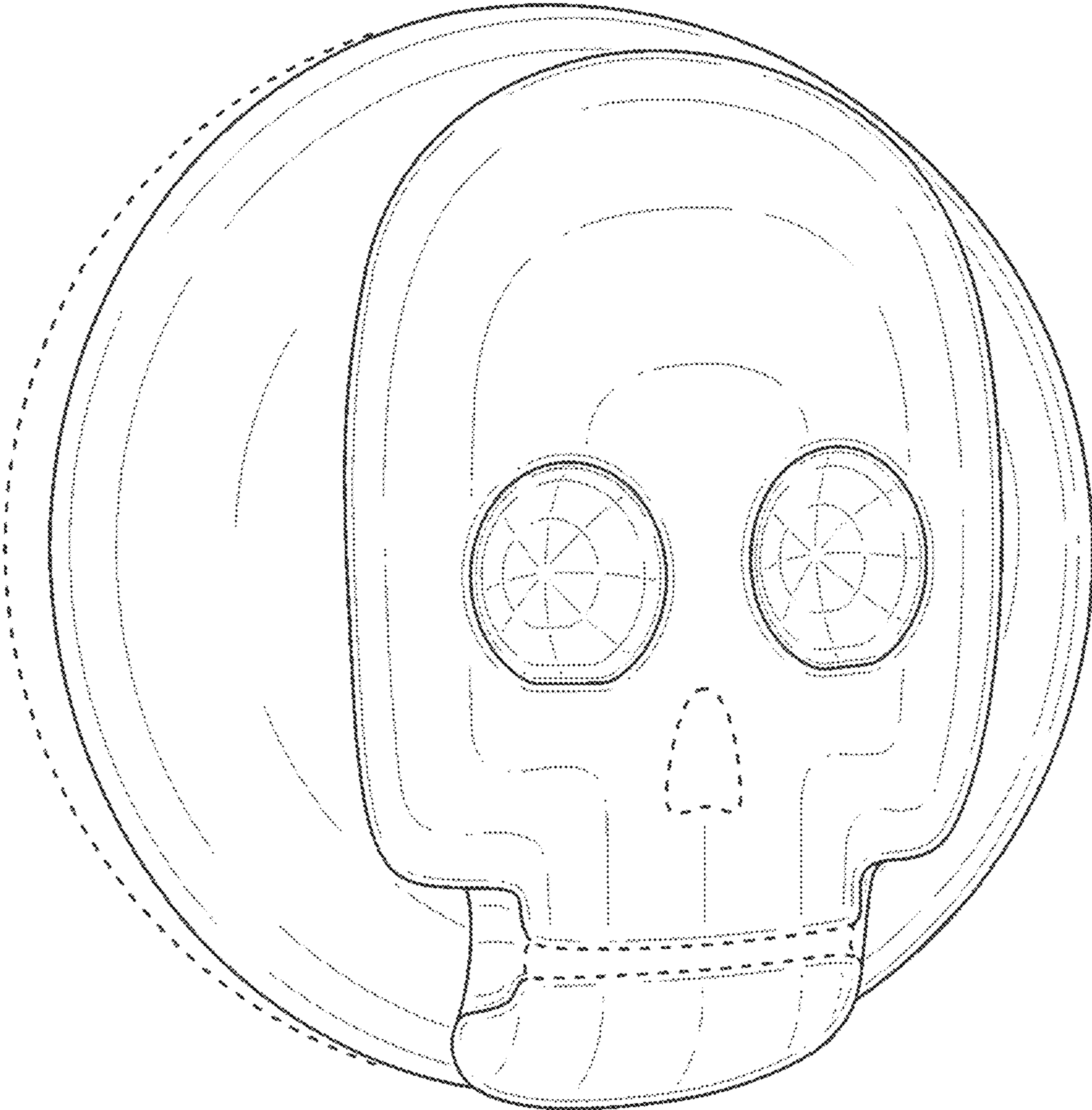


FIG. 1

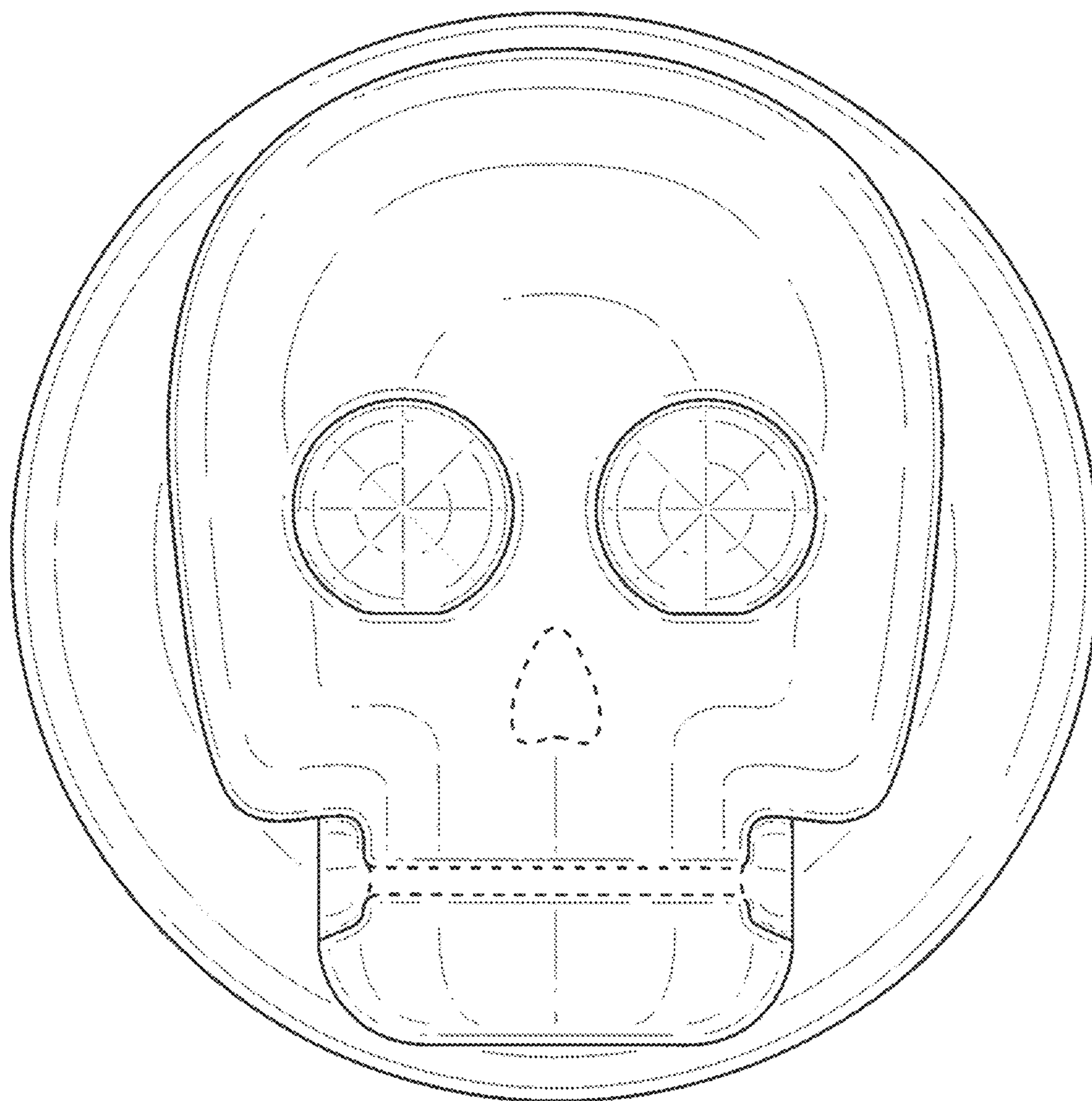


FIG. 2

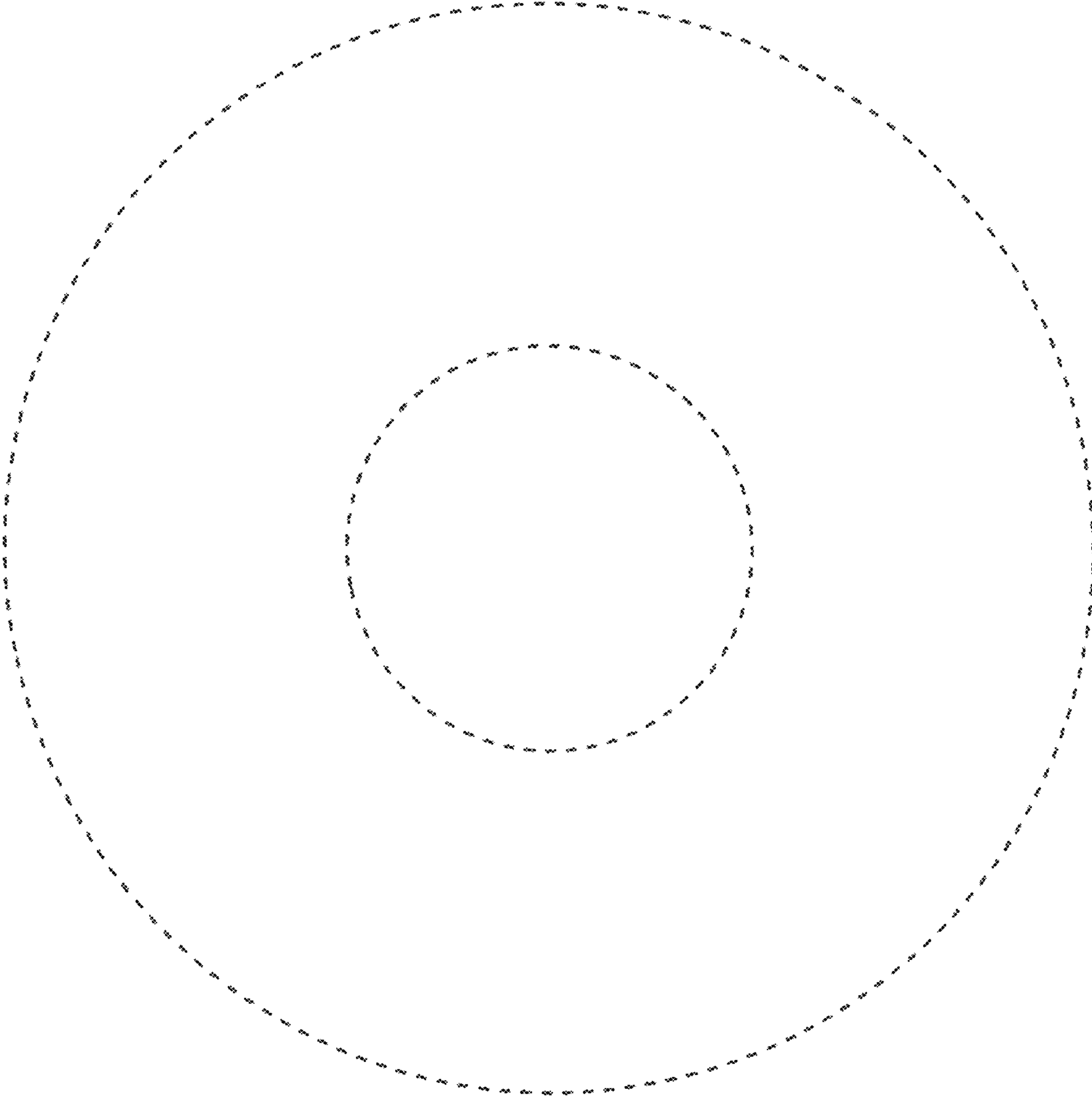


FIG. 3

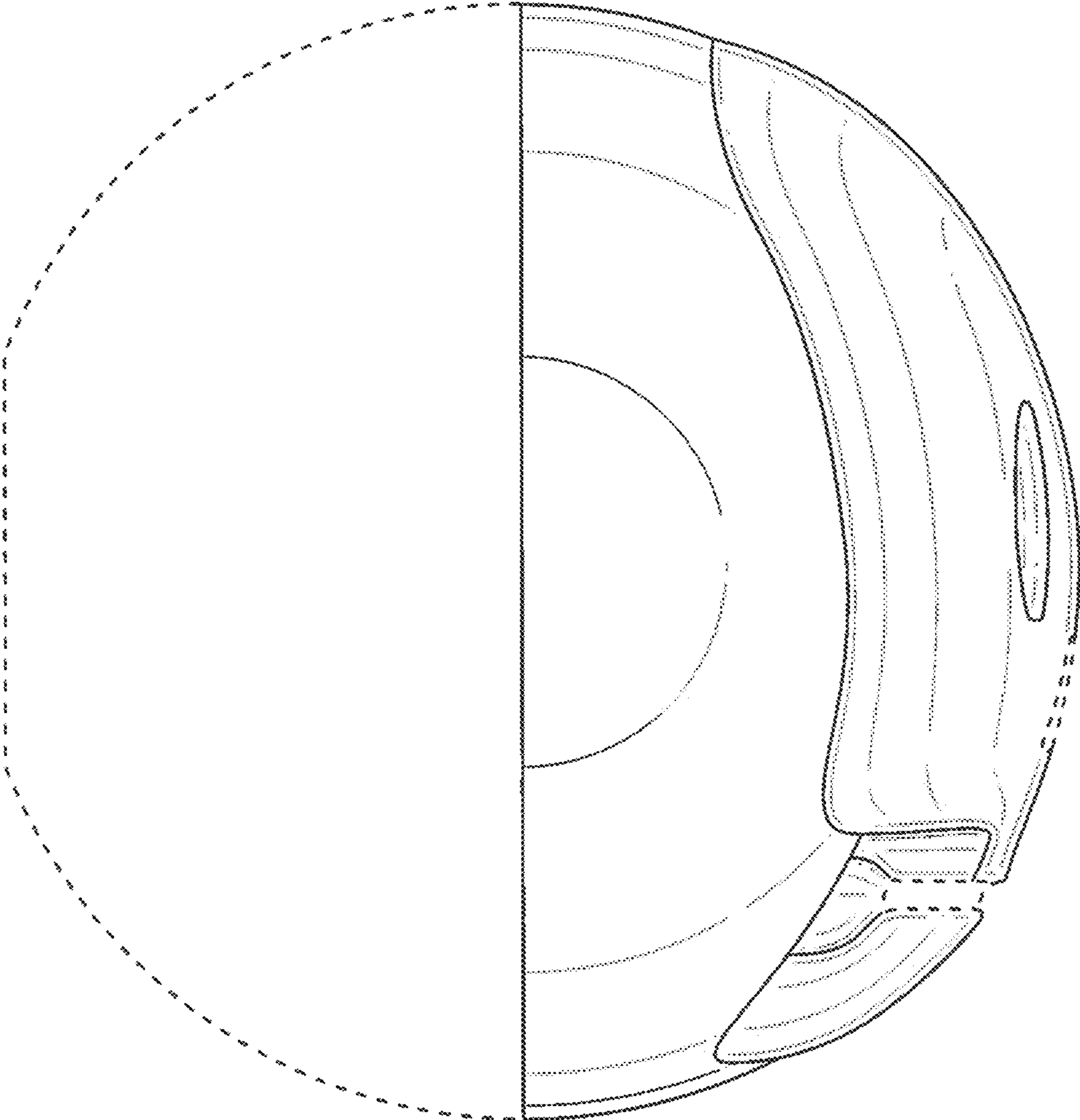


FIG. 4

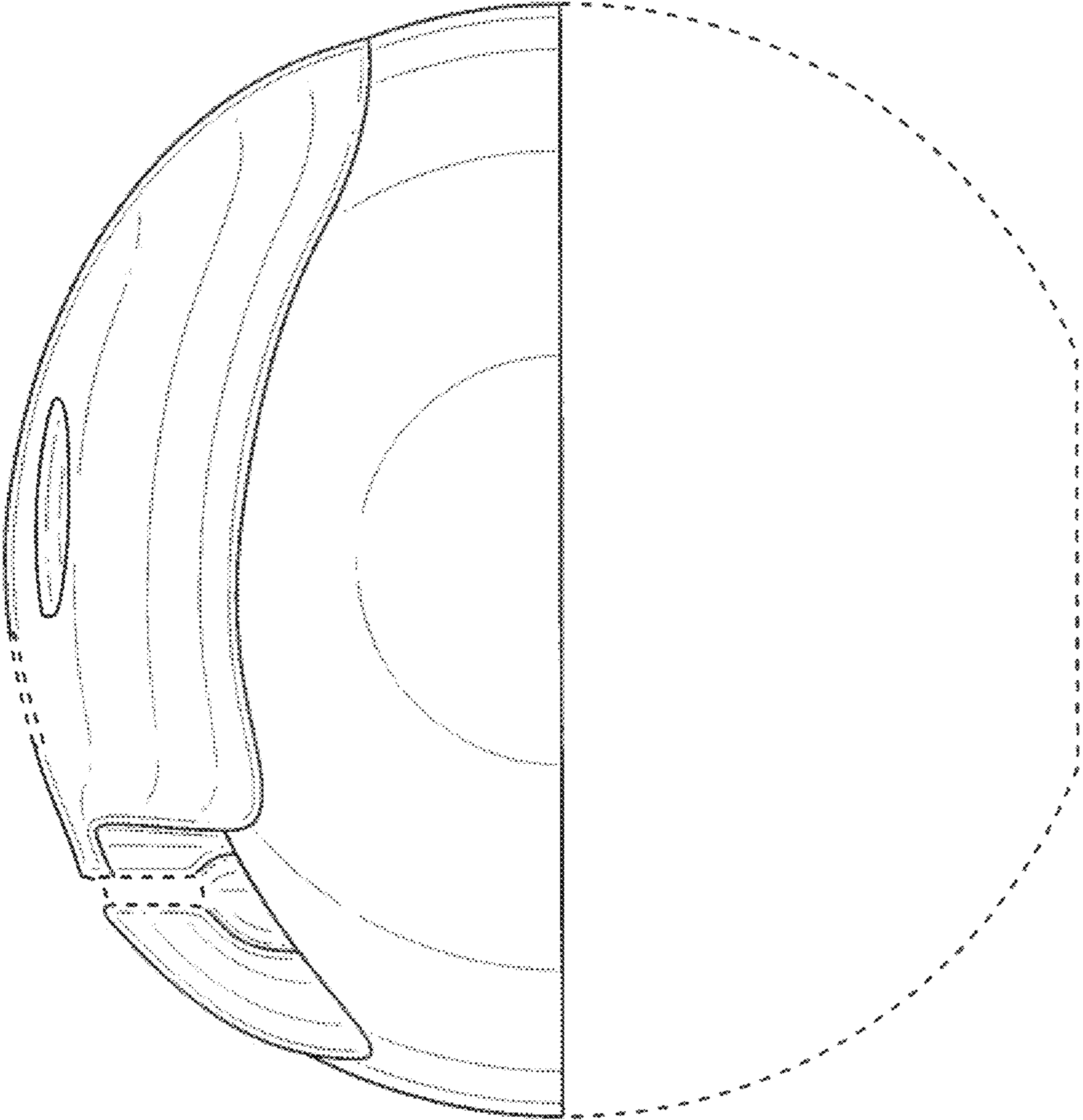


FIG. 5

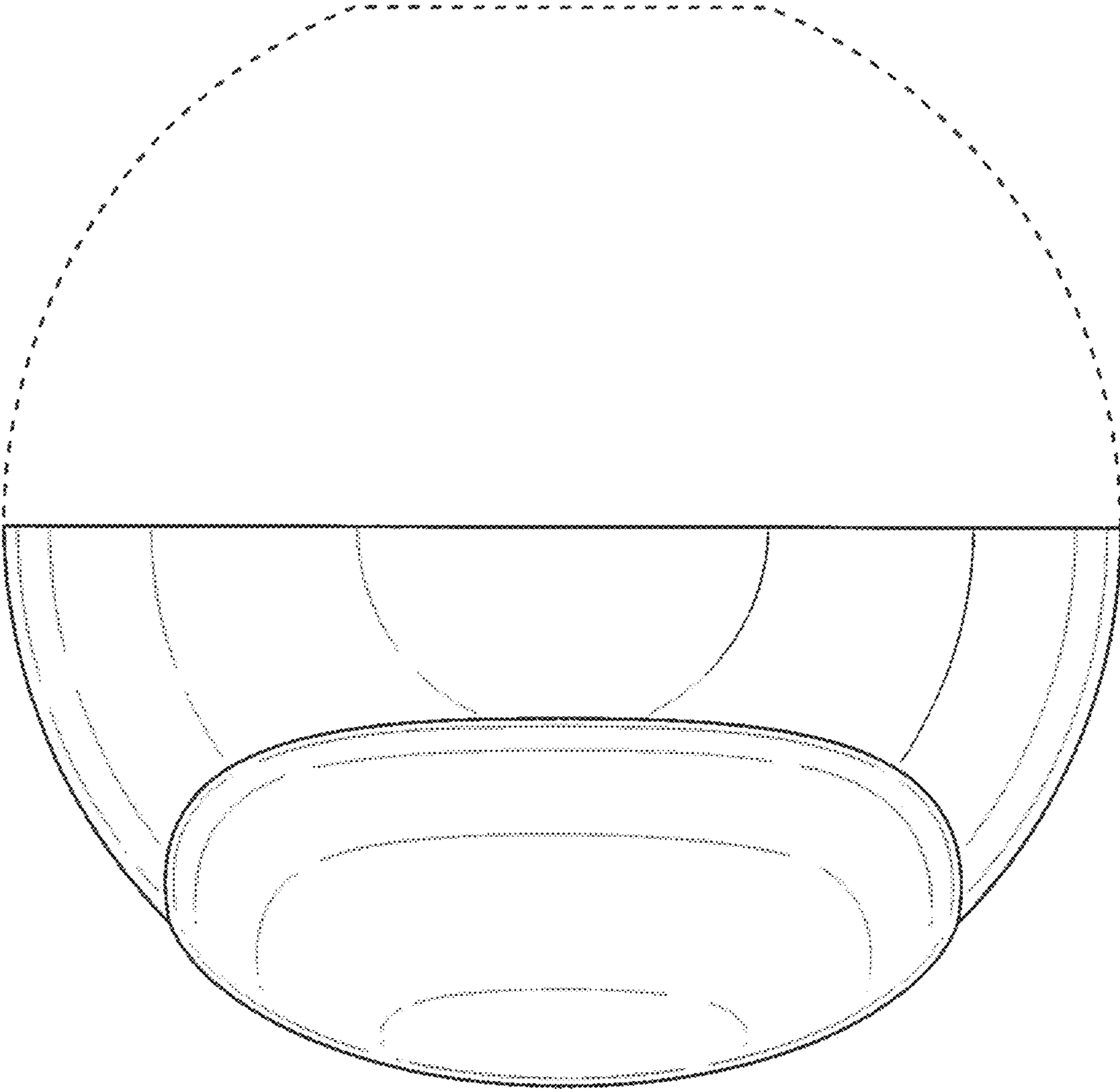


FIG. 6

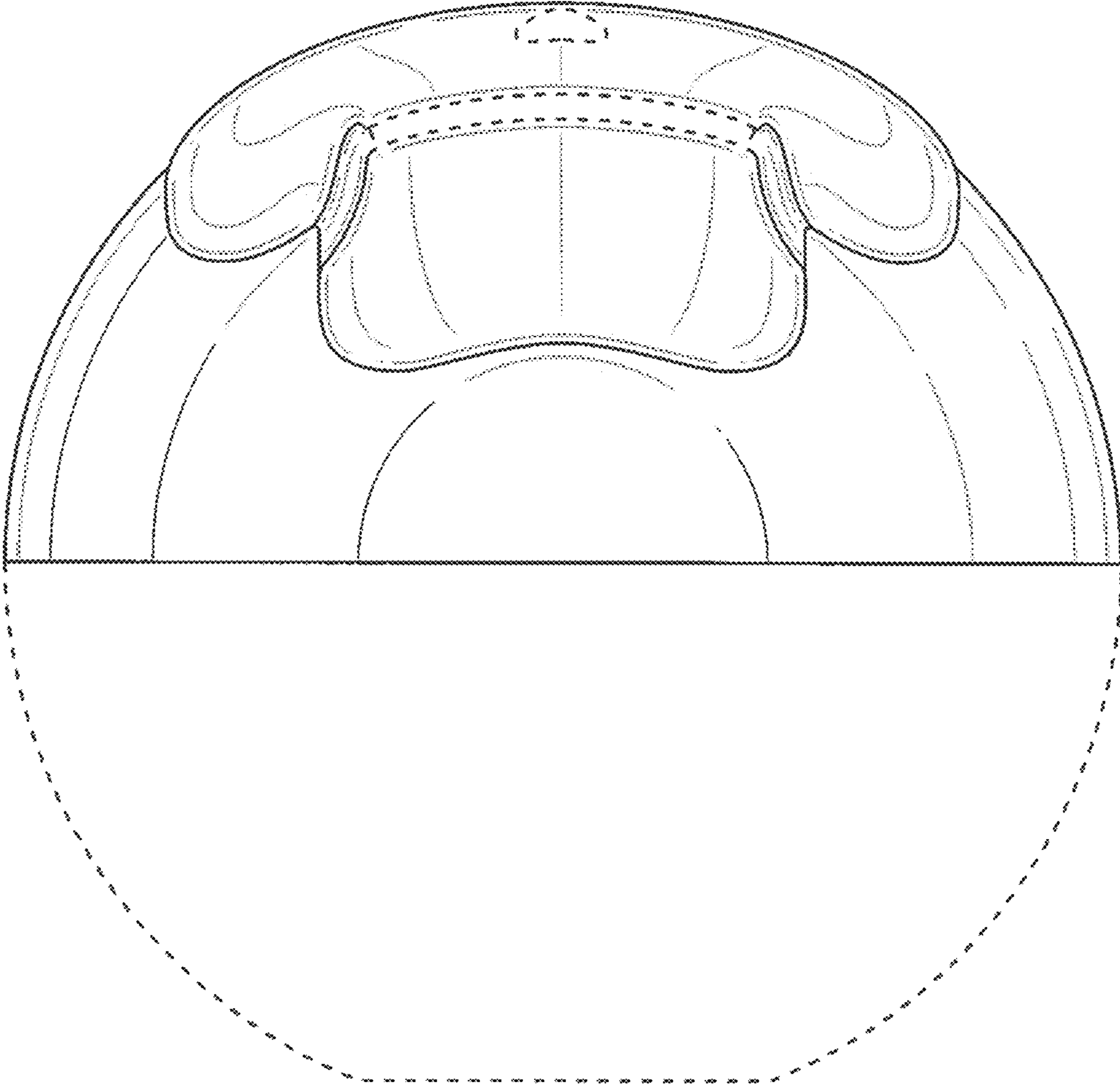


FIG. 7