



US00D874273S

(12) **United States Design Patent** (10) **Patent No.:** **US D874,273 S**
Katopis (45) **Date of Patent:** **** Feb. 4, 2020**

(54) **PAW-STYLE PACKAGING CONTAINER**

(71) Applicant: **Chris J. Katopis**, Washington, DC (US)

(72) Inventor: **Chris J. Katopis**, Washington, DC (US)

(73) Assignee: **Dorothy Katopis**, Hollis Hills, NY (US)

(**) Term: **15 Years**

(21) Appl. No.: **29/659,387**

(22) Filed: **Aug. 8, 2018**

(51) **LOC (12) Cl.** **09-07**

(52) **U.S. Cl.**
USPC **D9/451**; D9/454; D9/601

(58) **Field of Classification Search**
USPC D9/600-601, 607, 658, 500-505, 516, D9/519, 434-454; 206/457, 494, 459.5, 206/527, 540; 229/116.1; 215/381-384, 215/400; D7/514-520, 539, 544, 571, D7/594, 599, 604, 613, 619.2, 623, 625, D7/628-630, 391-392.1; D3/270-271.8; D11/53-55, 63, 68, 82-84, 99-102, D11/105-106, 115, 128; D20/23-26, D20/30-32

CPC B65D 67/00; B65D 81/36; B65D 81/60; B65D 81/368; B65D 37/00; B65D 5/42; B65D 5/4208; B65D 77/00; A63H 33/10; A63H 33/16

See application file for complete search history.

(56) **References Cited**

U.S. PATENT DOCUMENTS

D397,740 S 9/1998 Georgevich
D427,743 S * 7/2000 Macias A45C 11/00
D1/107
D430,358 S * 8/2000 Papiernik D28/91.1

D473,769 S 4/2003 Kelleghan
D476,767 S * 7/2003 Warden D26/38
D493,036 S 7/2004 O'Neal
D504,979 S * 5/2005 Lai D28/79
D531,364 S 10/2006 Crane
D534,076 S * 12/2006 Green A45D 40/0068
D9/454
D554,529 S * 11/2007 Green D9/726
D561,411 S * 2/2008 Pipenur D30/155
D562,699 S * 2/2008 Green D9/504
D564,877 S * 3/2008 Hood D9/454
D564,900 S * 3/2008 Green D9/504
D571,108 S 6/2008 Slabaugh
D571,929 S 6/2008 Palmer, III
D572,141 S 7/2008 Slabaugh
D577,583 S * 9/2008 Porter D9/453
D581,830 S 12/2008 Slabaugh

(Continued)

OTHER PUBLICATIONS

Paw: Announced Sep. 10, 2014 (online). Available <https://www.turbosquid.com/3d-models/3d-paw-mould-hand-model/848585>.*

Primary Examiner — Sandra L Morris

(57) **CLAIM**

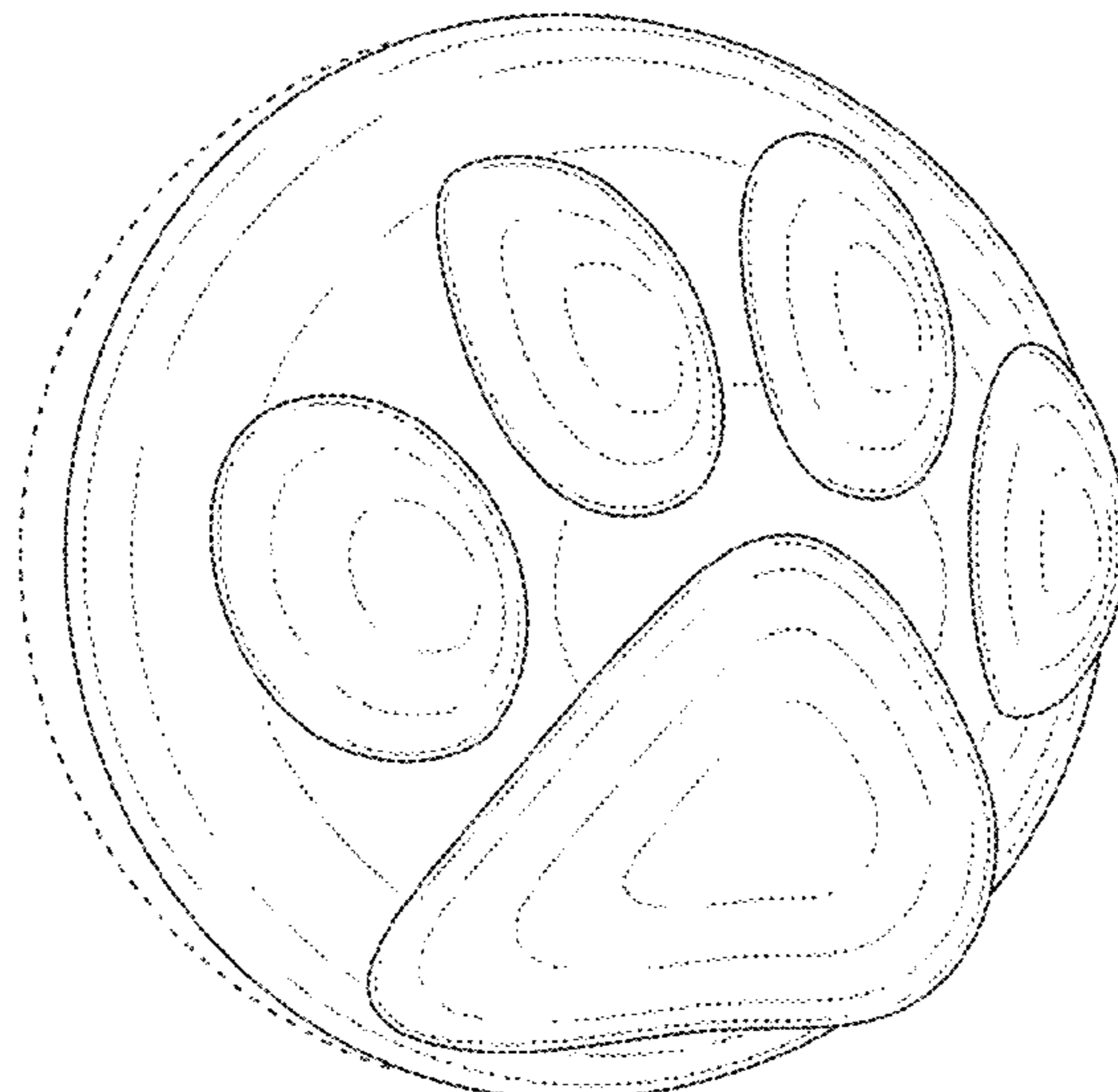
The ornamental design for a paw-style packaging container, as shown and described.

DESCRIPTION

FIG. 1 is a front perspective view of a paw-style packaging container, showing the new design;
FIG. 2 is a front view thereof;
FIG. 3 is a rear view thereof;
FIG. 4 is a side view thereof;
FIG. 5 is the opposite side view thereof;
FIG. 6 is a top plan view thereof; and,
FIG. 7 is a bottom view thereof.

In all figures, the broken lines showing the environmental subject matter are included for illustrative purposes and form no part of the claimed design.

1 Claim, 7 Drawing Sheets



(56)

References Cited

U.S. PATENT DOCUMENTS

D585,727	S	2/2009	Kellegan	
D591,162	S	4/2009	Slabaugh	
D591,478	S *	5/2009	Slusarczyk	D1/107
D605,527	S *	12/2009	Kerr	D9/607
D610,458	S *	2/2010	Martin	D9/414
D612,245	S *	3/2010	Canamasas Puigbo	D9/519
D650,280	S *	12/2011	de Peyerimhoff	D9/454
D654,245	S *	2/2012	School	D99/5
D685,565	S *	7/2013	Bhandula	A45C 11/00
				D99/1
D687,616	S *	8/2013	Smith	A45D 40/0068
				D1/107
D696,555	S *	12/2013	Kolano	D7/590
D721,421	S	1/2015	Hawkins	
D746,683	S *	1/2016	Fahl	D9/454
D799,126	S	10/2017	Shamoon	
D817,343	S	5/2018	Katopis	
D819,901	S	6/2018	Bone et al.	
D820,528	S	6/2018	Warwarick et al.	
2011/0132269	A1 *	6/2011	Davidson	A45C 11/00
				206/216

* cited by examiner

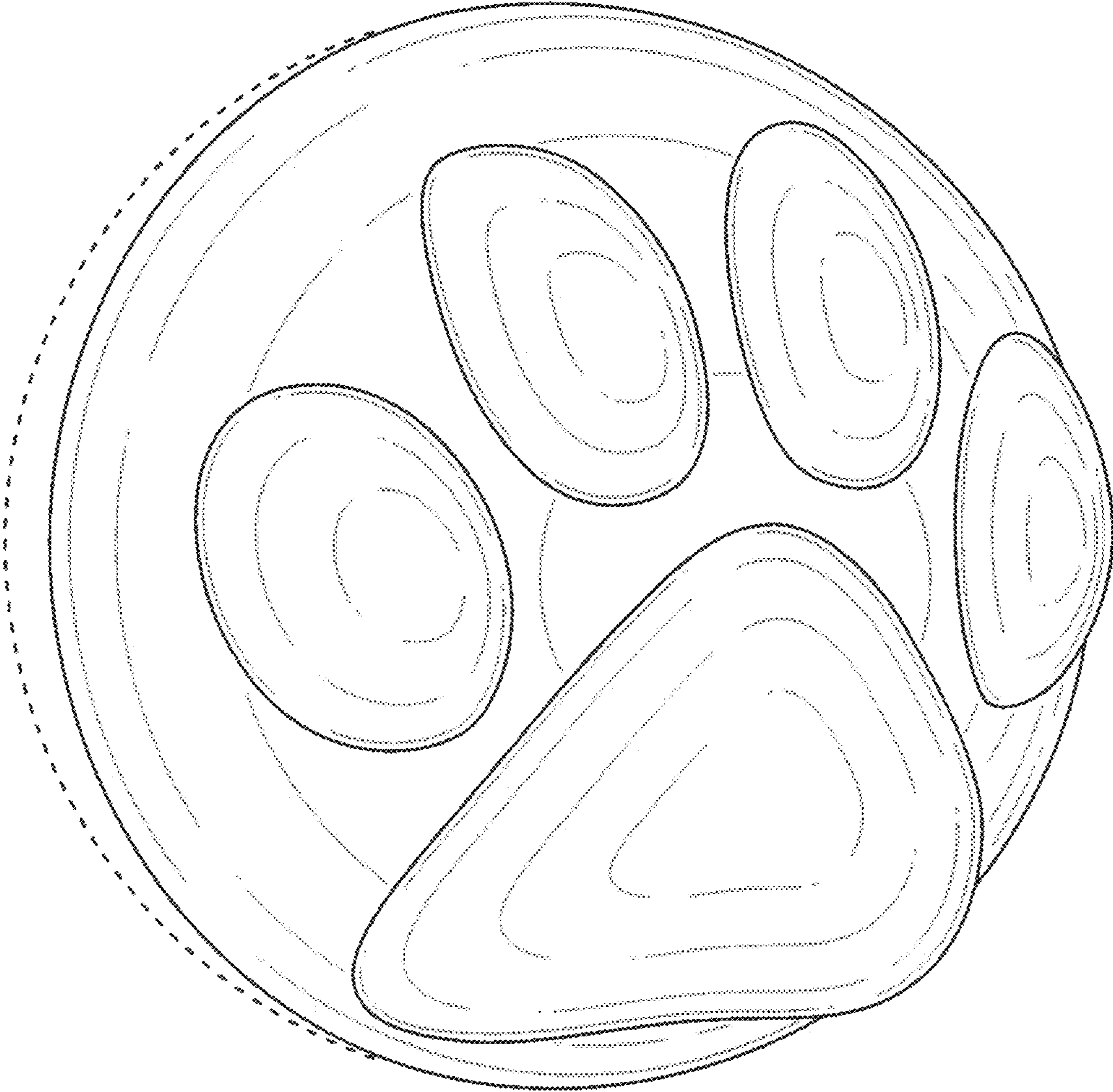


FIG. 1

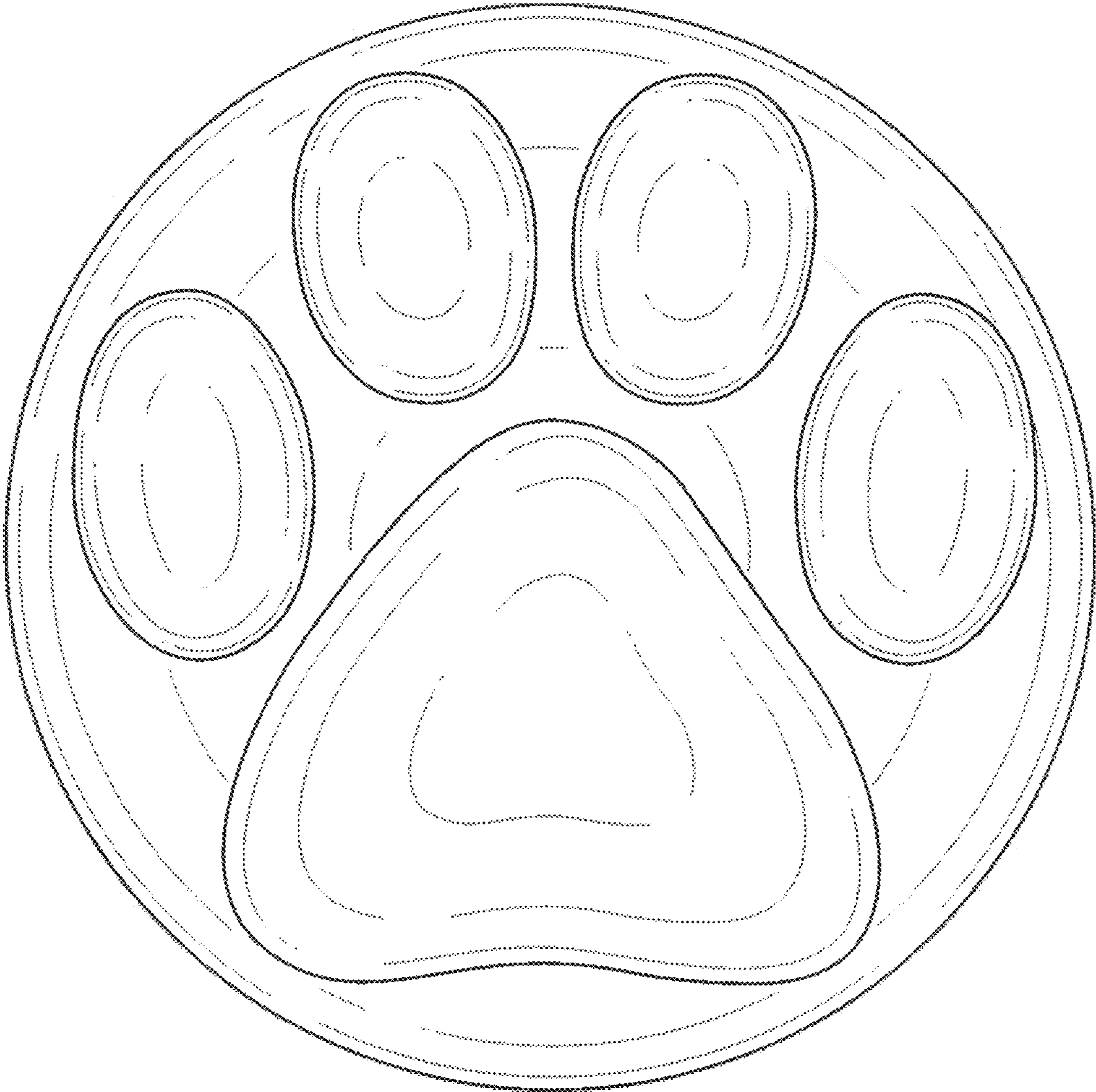


FIG. 2

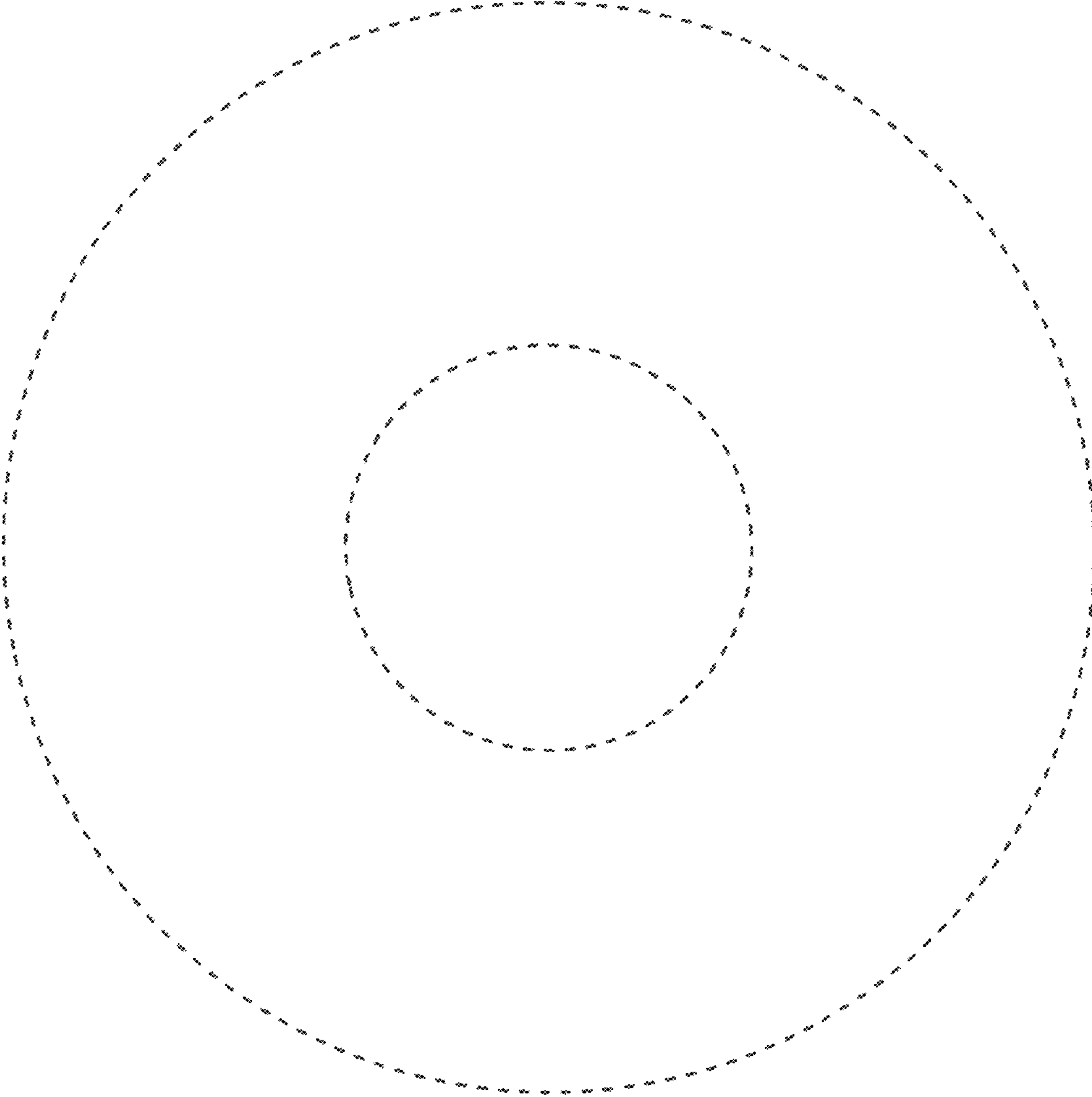


FIG. 3

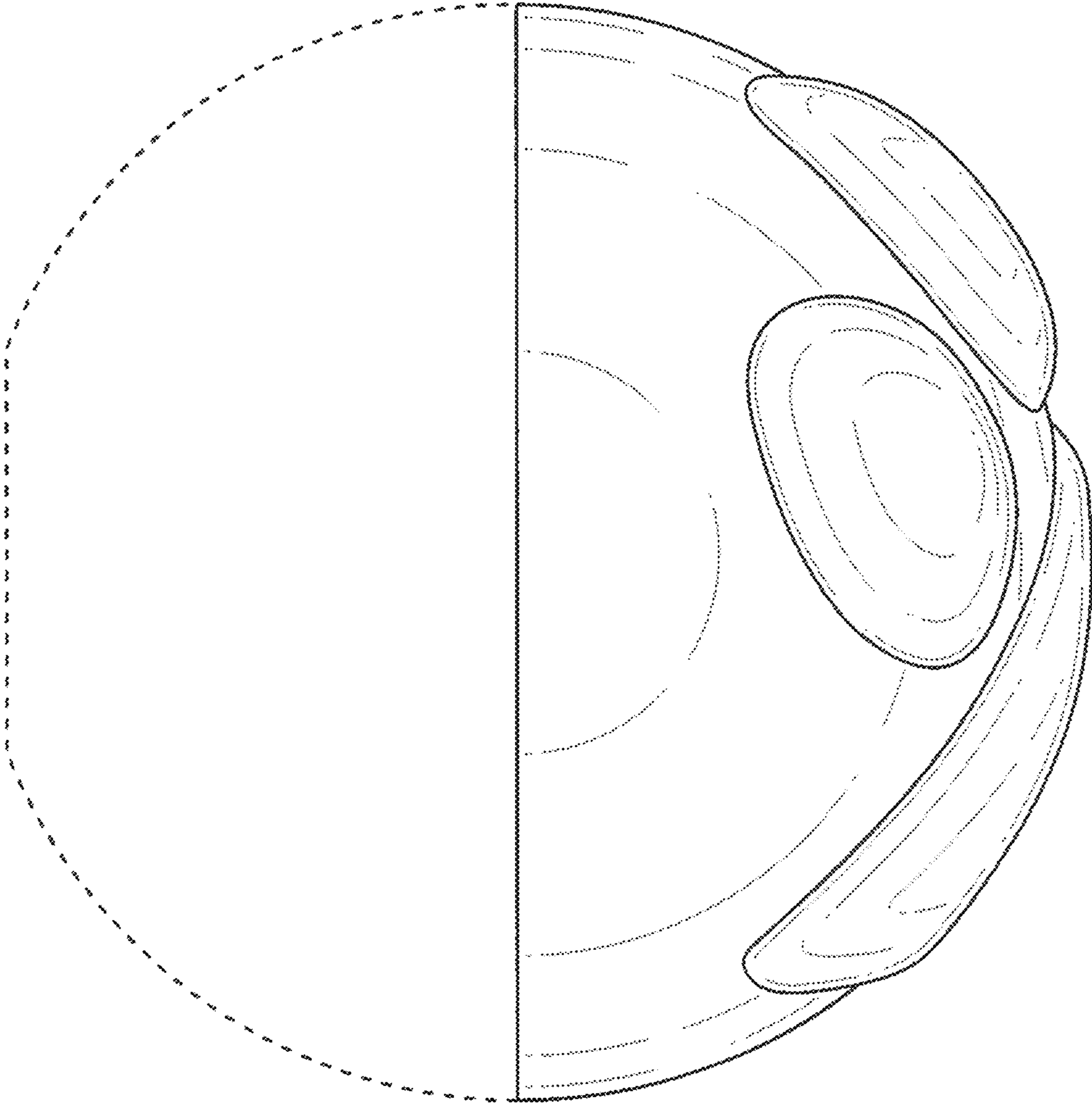


FIG. 4

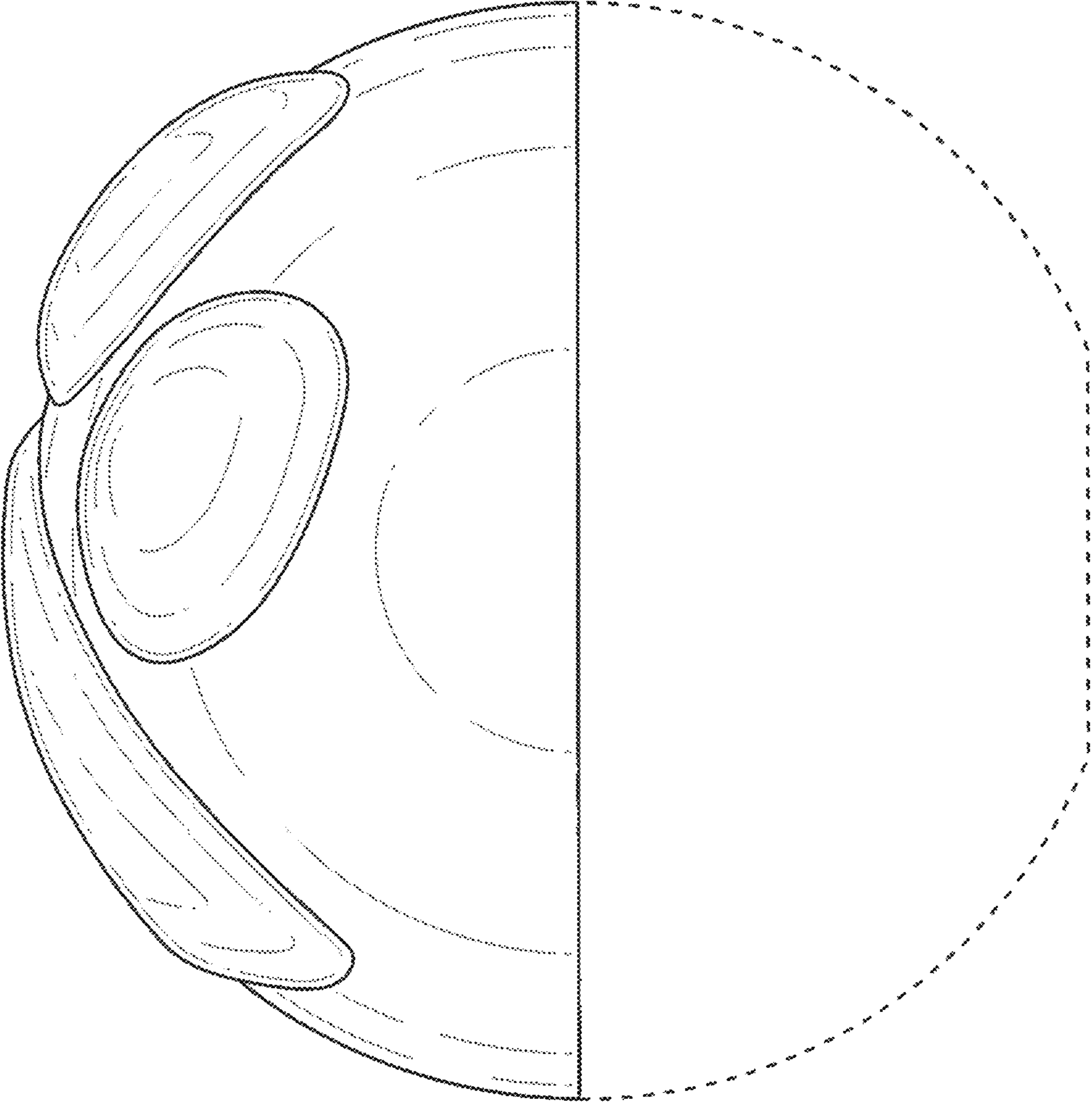


FIG. 5

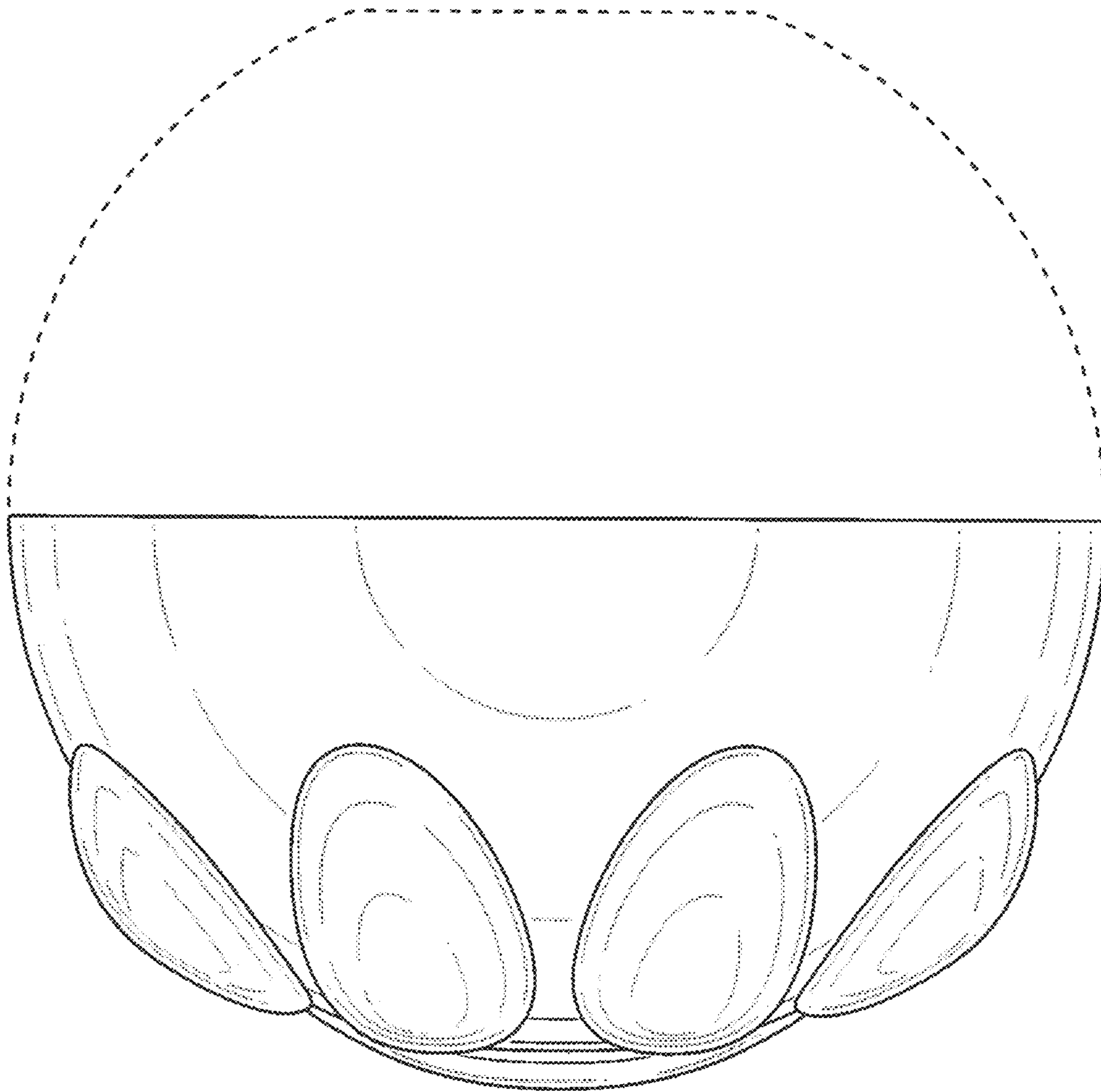


FIG. 6

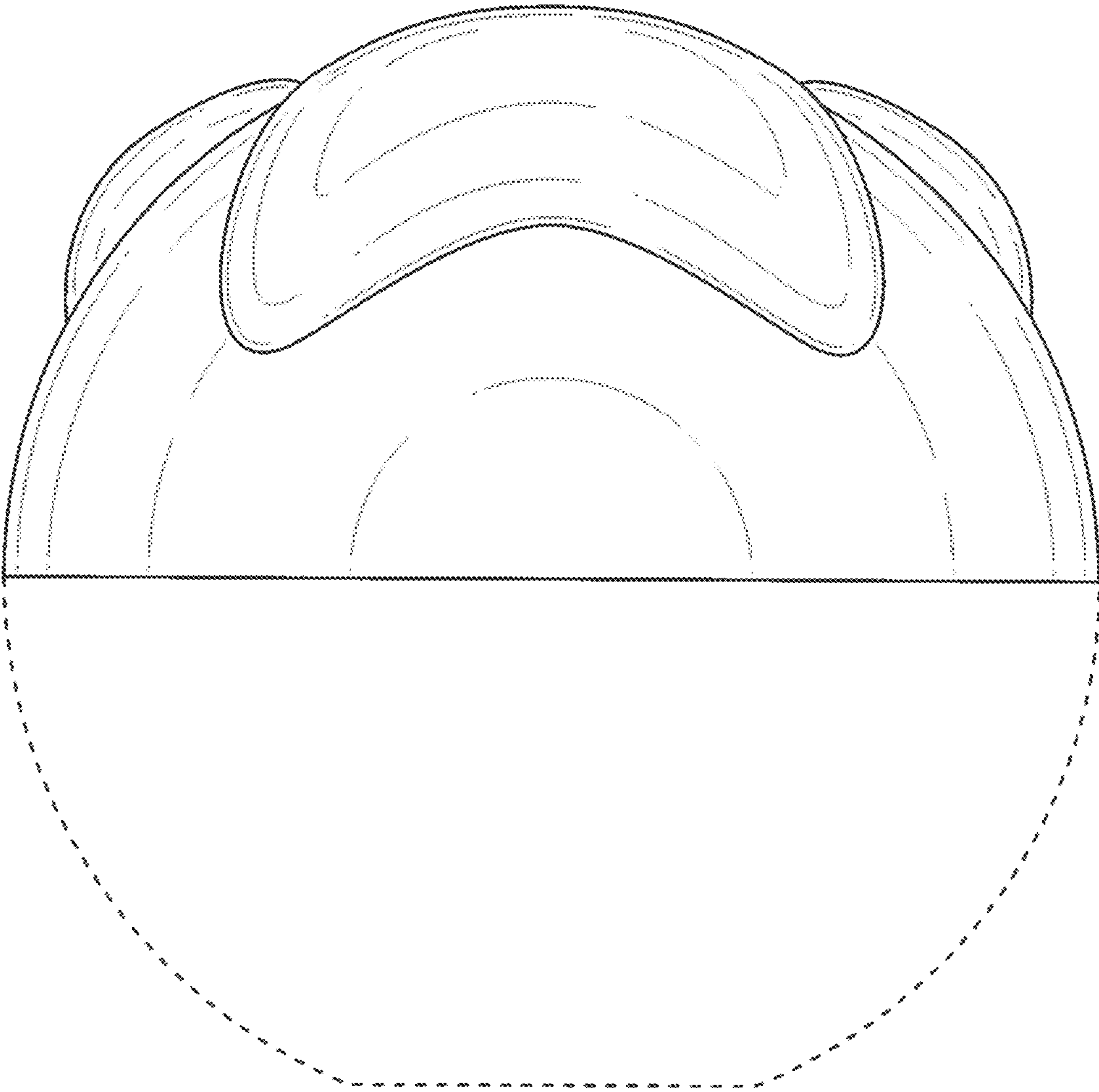


FIG. 7