



US00D874271S

(12) **United States Design Patent**
Walsh

(10) **Patent No.:** **US D874,271 S**

(45) **Date of Patent:** **** Feb. 4, 2020**

- (54) **BASEBALL CAP BOTTLE CAP**
- (71) Applicant: **Glenn Andrew Walsh**, North Pomona, CA (US)
- (72) Inventor: **Glenn Andrew Walsh**, North Pomona, CA (US)
- (**) Term: **15 Years**
- (21) Appl. No.: **29/654,337**
- (22) Filed: **Jun. 22, 2018**
- (51) **LOC (12) Cl.** **09-07**
- (52) **U.S. Cl.**
USPC **D9/451**
- (58) **Field of Classification Search**
USPC D7/514-520, 539, 571, 301, 599, 604,
D7/613, 619.2, 623, 625, 628, 392.1;
D9/600, 632, 668, 434-487; 206/494,
206/457, 459.1, 459.2; 220/890;
215/206, 260, 387-400; D2/873, 883
CPC B65D 67/00; B65D 81/36; B65D 81/366;
B65D 41/00; B65D 41/02; B65D 43/00;
B65D 43/02; B65D 5/42; B65D 50/046;
A63H 33/10; A47G 19/22
See application file for complete search history.

(56) **References Cited**

U.S. PATENT DOCUMENTS

D318,223 S *	7/1991	Allen	D9/632
D327,816 S *	7/1992	Paullin	D7/515
D378,732 S *	4/1997	Lawson	D2/865
D382,482 S *	8/1997	Lathrop	D9/453

5,927,527 A *	7/1999	Montgomery	B65D 50/046
				D9/453
D419,880 S *	2/2000	Adams	D9/449
D653,948 S *	2/2012	Azar	B65D 50/046
				D9/451
D698,598 S *	2/2014	Malik	D9/451
D730,187 S *	5/2015	Robinson	D9/451
D796,328 S *	9/2017	Walbroel	D9/451
D823,687 S *	7/2018	Kelly	D9/451
2013/0276339 A1	10/2013	Hernandez et al.		

* cited by examiner

Primary Examiner — Sandra L Morris

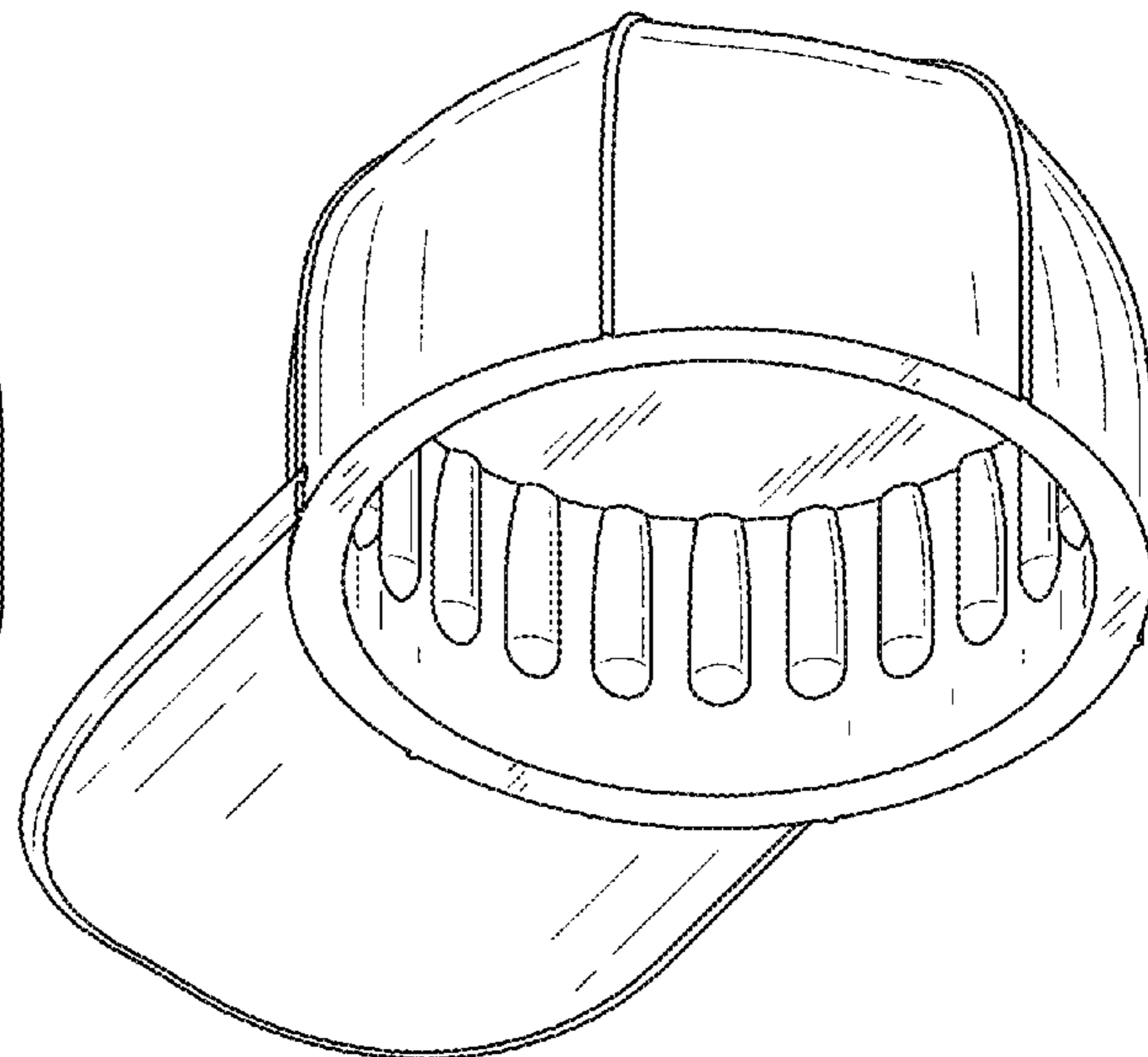
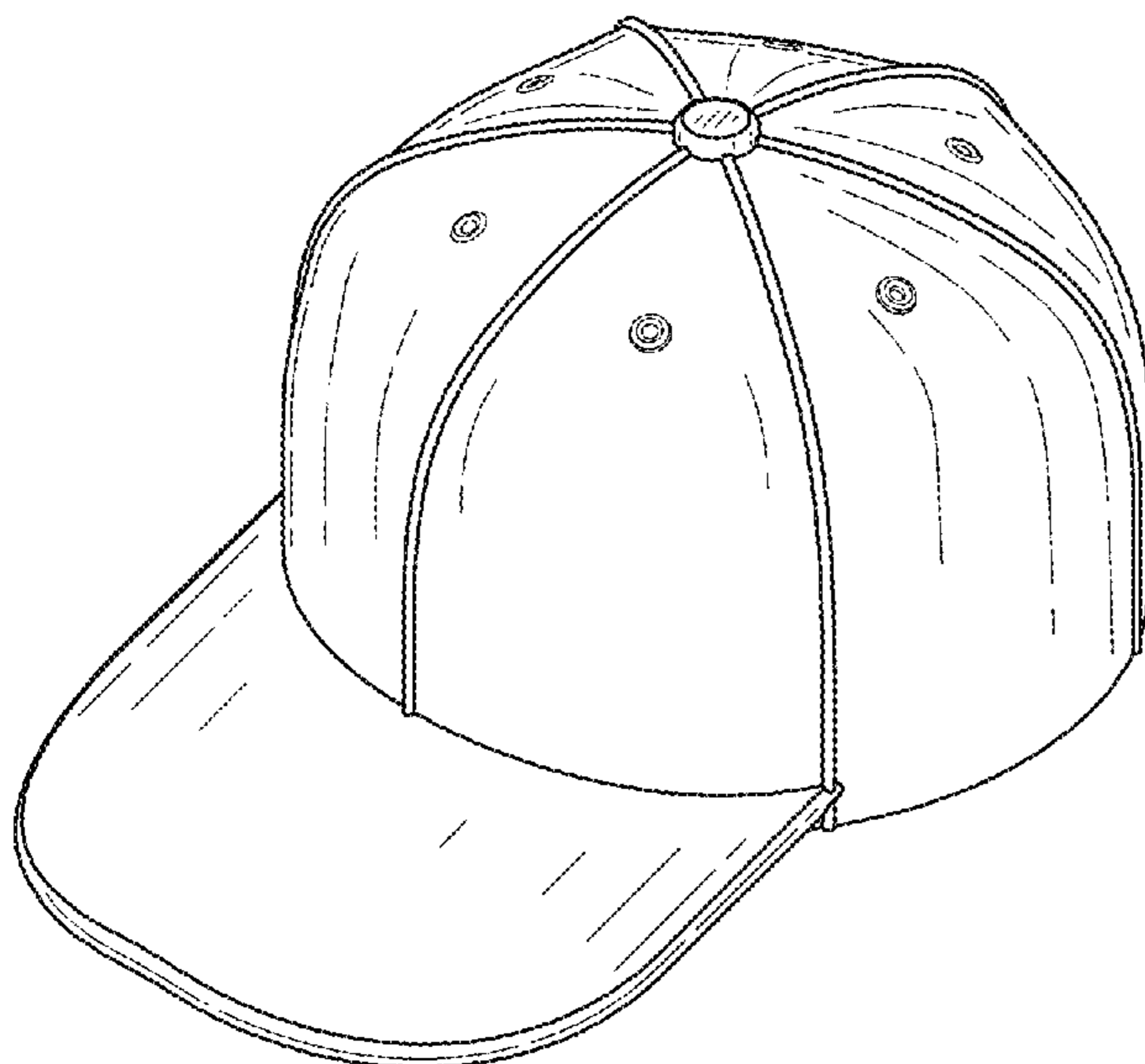
(57) **CLAIM**

The ornamental design for a baseball cap bottle cap, as shown and described.

DESCRIPTION

FIG. 1 is a front perspective view of the baseball cap bottle cap showing my new design;
 FIG. 2 is a bottom perspective view thereof;
 FIG. 3 is a front elevation view thereof;
 FIG. 4 is a rear elevation view thereof;
 FIG. 5 is a left side elevation view thereof, the right side elevation view being a mirror image thereof;
 FIG. 6 is a top plan view thereof;
 FIG. 7 is a bottom plan view thereof; and,
 FIG. 8 is a front perspective view thereof, shown in use applied to a beverage bottle.
 The broken lines in FIG. 8 showing the baseball cap bottle cap in use illustrate environment and forms no part of the claim.

1 Claim, 4 Drawing Sheets



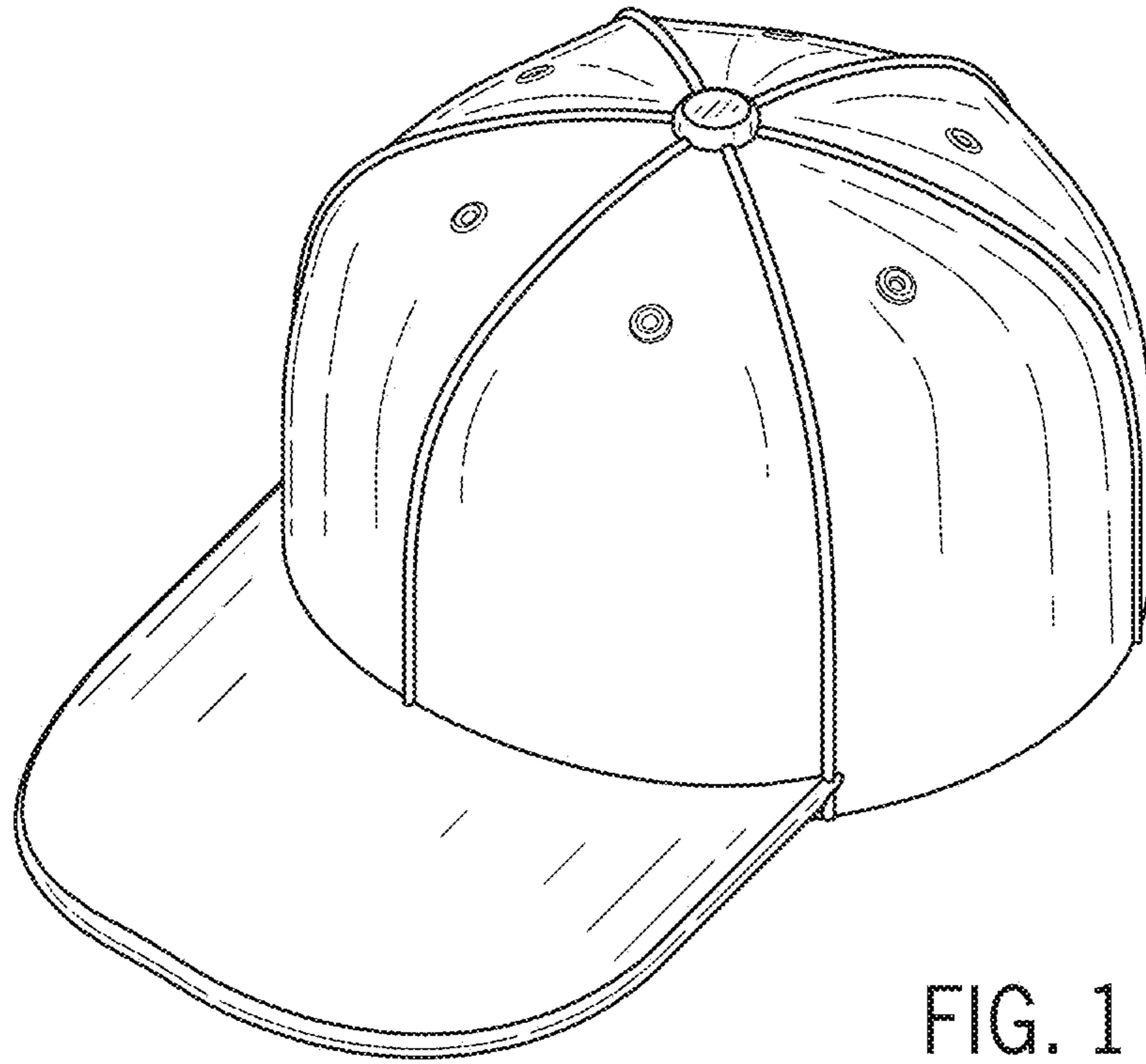


FIG. 1

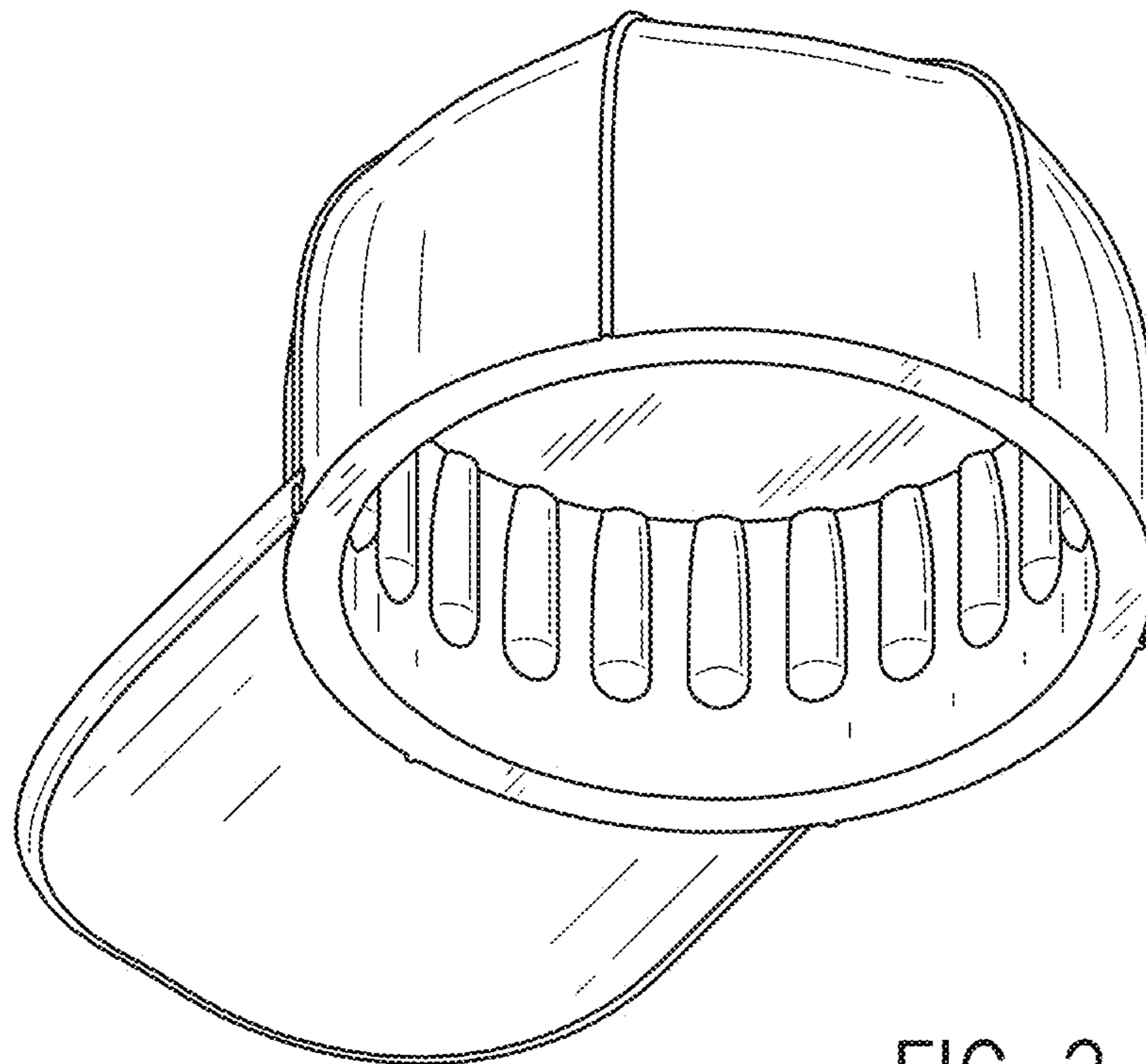


FIG. 2

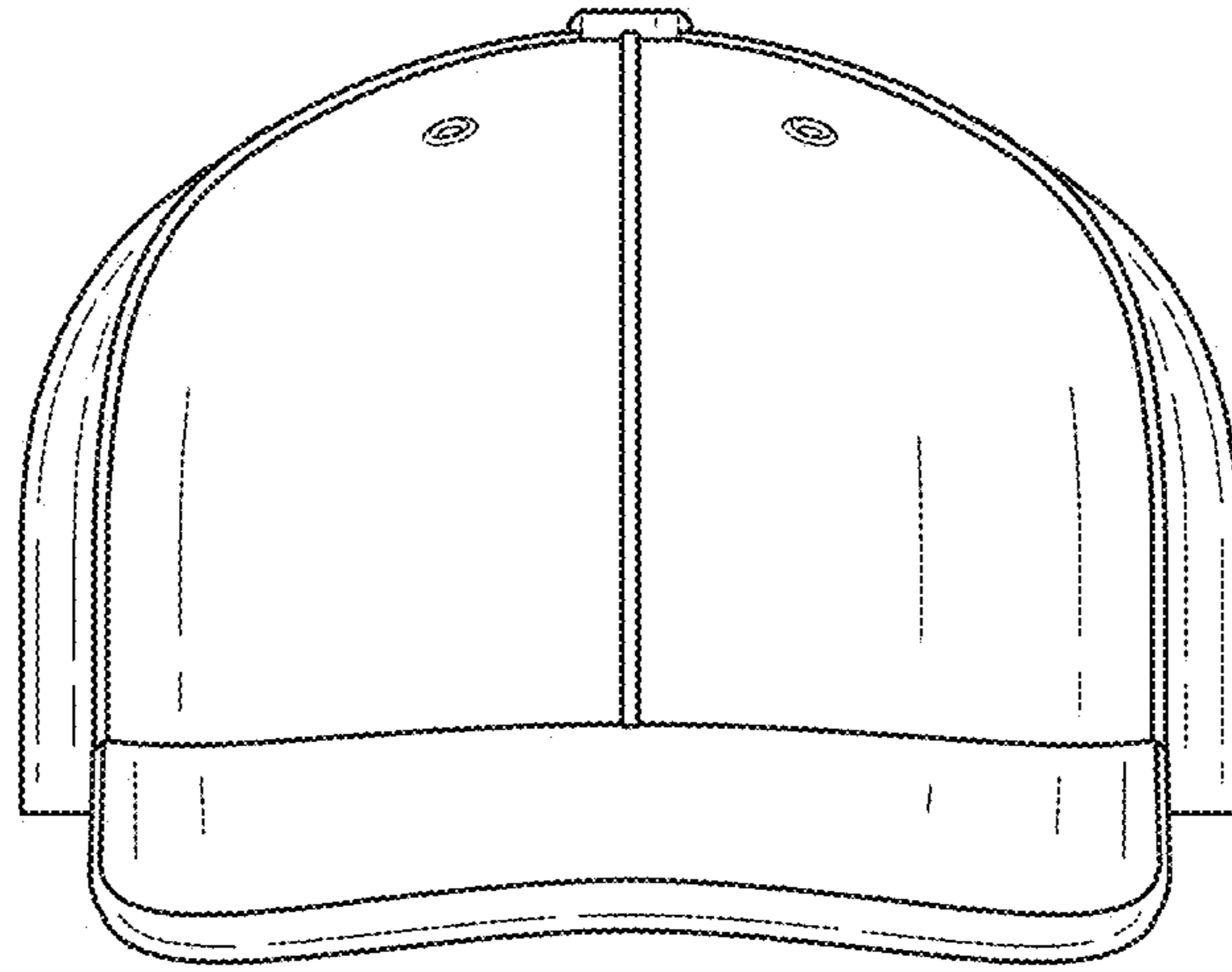


FIG. 3

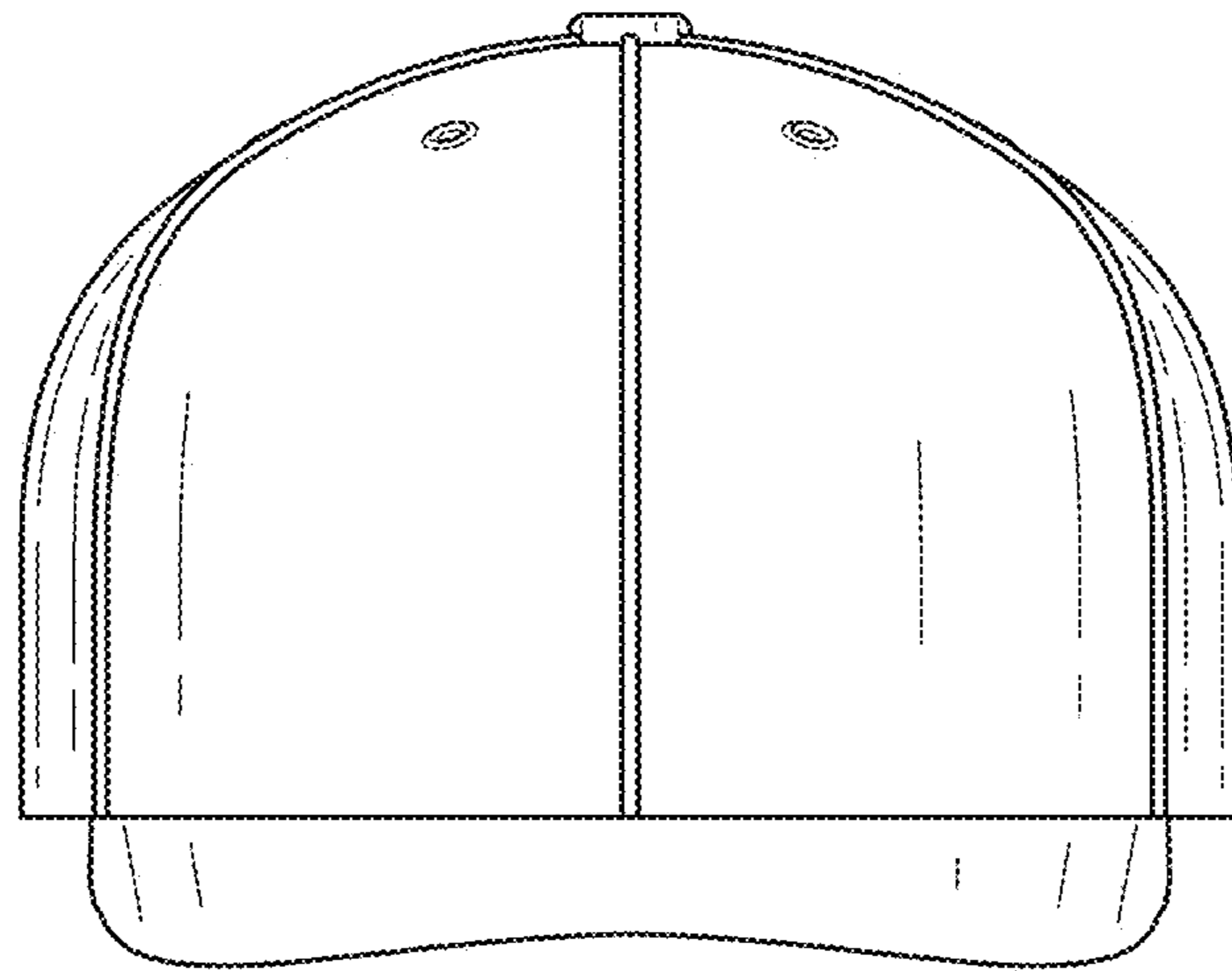


FIG. 4

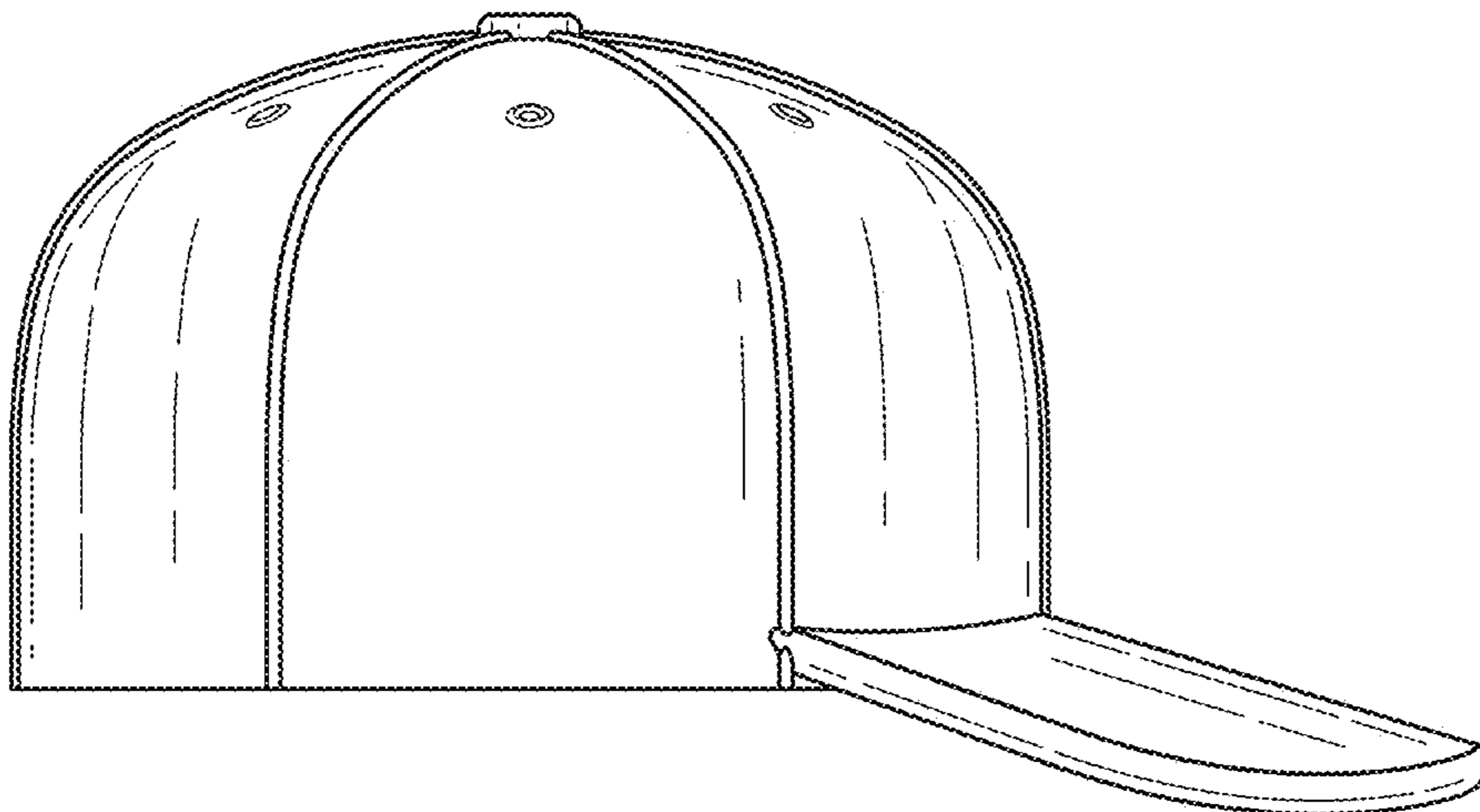


FIG. 5

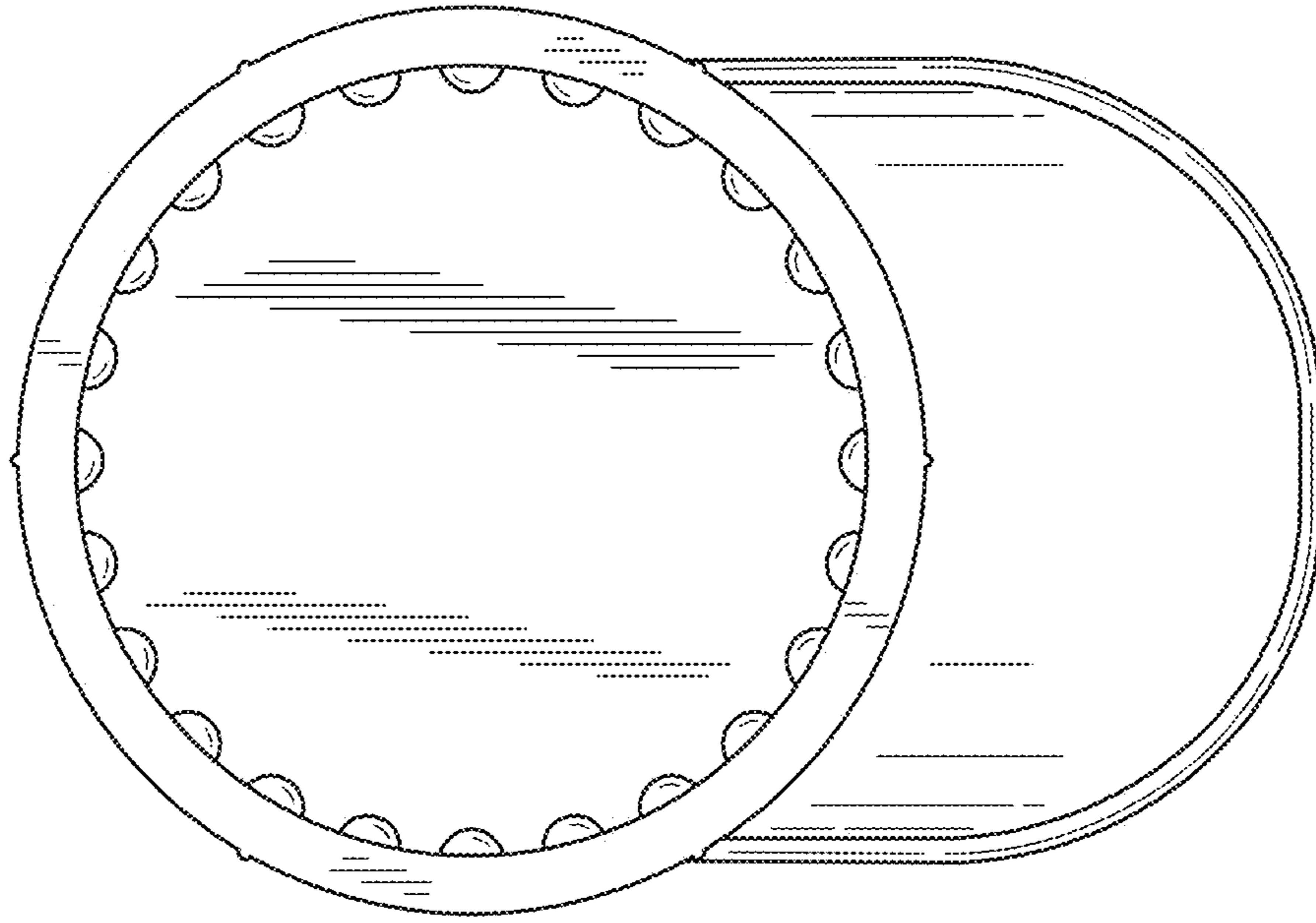


FIG. 6

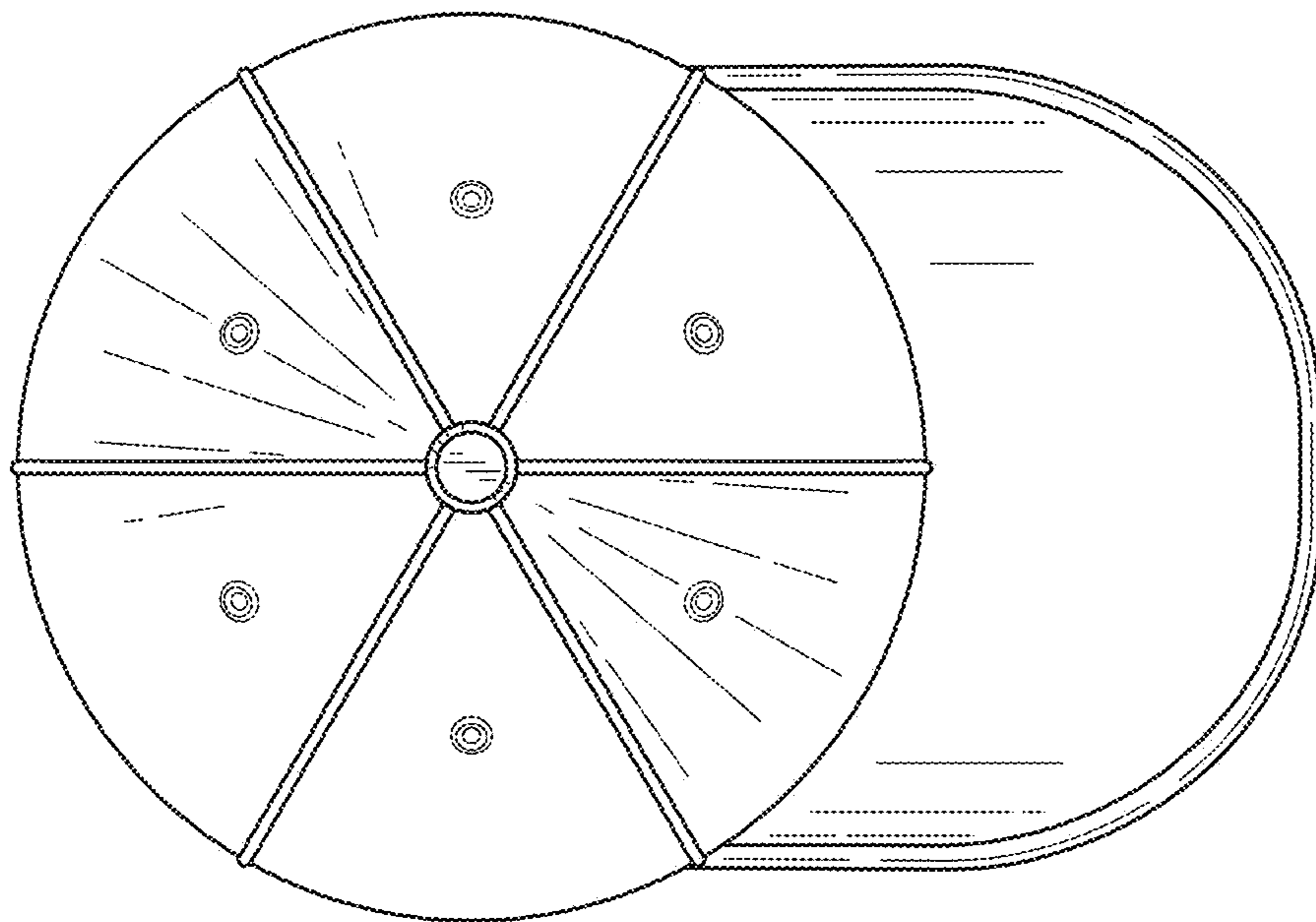


FIG. 7

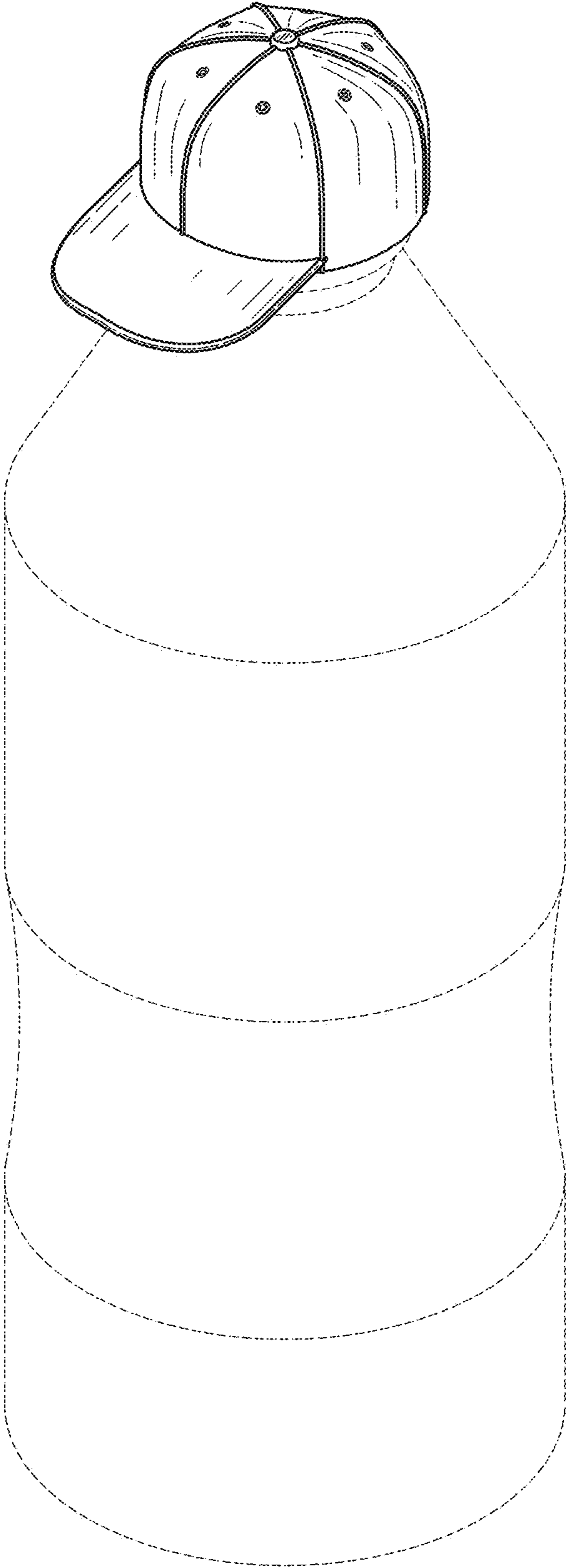


FIG. 8