



US00D874268S

(12) **United States Design Patent**
Muse et al.

(10) **Patent No.:** **US D874,268 S**
(45) **Date of Patent:** **** Feb. 4, 2020**

(54) **MECHANICALLY SECURED BOX**

(71) Applicant: **Pratt Corrugated Holdings, Inc.**,
Conyers, GA (US)

(72) Inventors: **John Richard Muse**, Douglasville, GA
(US); **Shifeng Chen**, Newport News,
VA (US)

(73) Assignee: **Pratt Corrugated Holdings, Inc.**,
Conyers, GA (US)

(**) Term: **15 Years**

(21) Appl. No.: **29/646,433**

(22) Filed: **May 4, 2018**

(51) **LOC (12) Cl.** **09-03**

(52) **U.S. Cl.**
USPC **D9/432; D9/433**

(58) **Field of Classification Search**
USPC D9/414-423, 424-429, 430-432, 433,
D9/434, 456, 457, 711, 713, 721-722;
D3/272-274, 290, 304, 305, 315
(Continued)

(56) **References Cited**

U.S. PATENT DOCUMENTS

1,868,996 A 7/1932 Sharp
2,053,857 A 9/1936 Weiss
(Continued)

FOREIGN PATENT DOCUMENTS

EP 2990196 3/2016
FR 3008685 7/2013
(Continued)

OTHER PUBLICATIONS

US 8,845,046 B2, 09/2014, Nomura et al. (withdrawn)
(Continued)

Primary Examiner — Vy N Koenig

(74) *Attorney, Agent, or Firm* — Taylor English Duma
LLP

(57) **CLAIM**

We claim the ornamental design for a mechanically secured
box, as shown and described.

DESCRIPTION

FIG. 1 is a top perspective view of a mechanically secured
box showing our new design, in a blank configuration.

FIG. 2 is a top view thereof.

FIG. 3 is a first side elevation view thereof.

FIG. 4 is a second side elevation view thereof.

FIG. 5 is a third side elevation view thereof.

FIG. 6 is a fourth side elevation view thereof.

FIG. 7 is a perspective view of the mechanically secured box
of FIG. 1 in a partially assembled configuration.

FIG. 8 is another perspective view thereof.

FIG. 9 is a perspective view thereof illustrating a next
assembly step.

FIG. 10 is a perspective view thereof illustrating a next
assembly step.

FIG. 11 is a perspective view thereof illustrating a next
assembly step.

FIG. 12 is a perspective view thereof illustrating a next
assembly step.

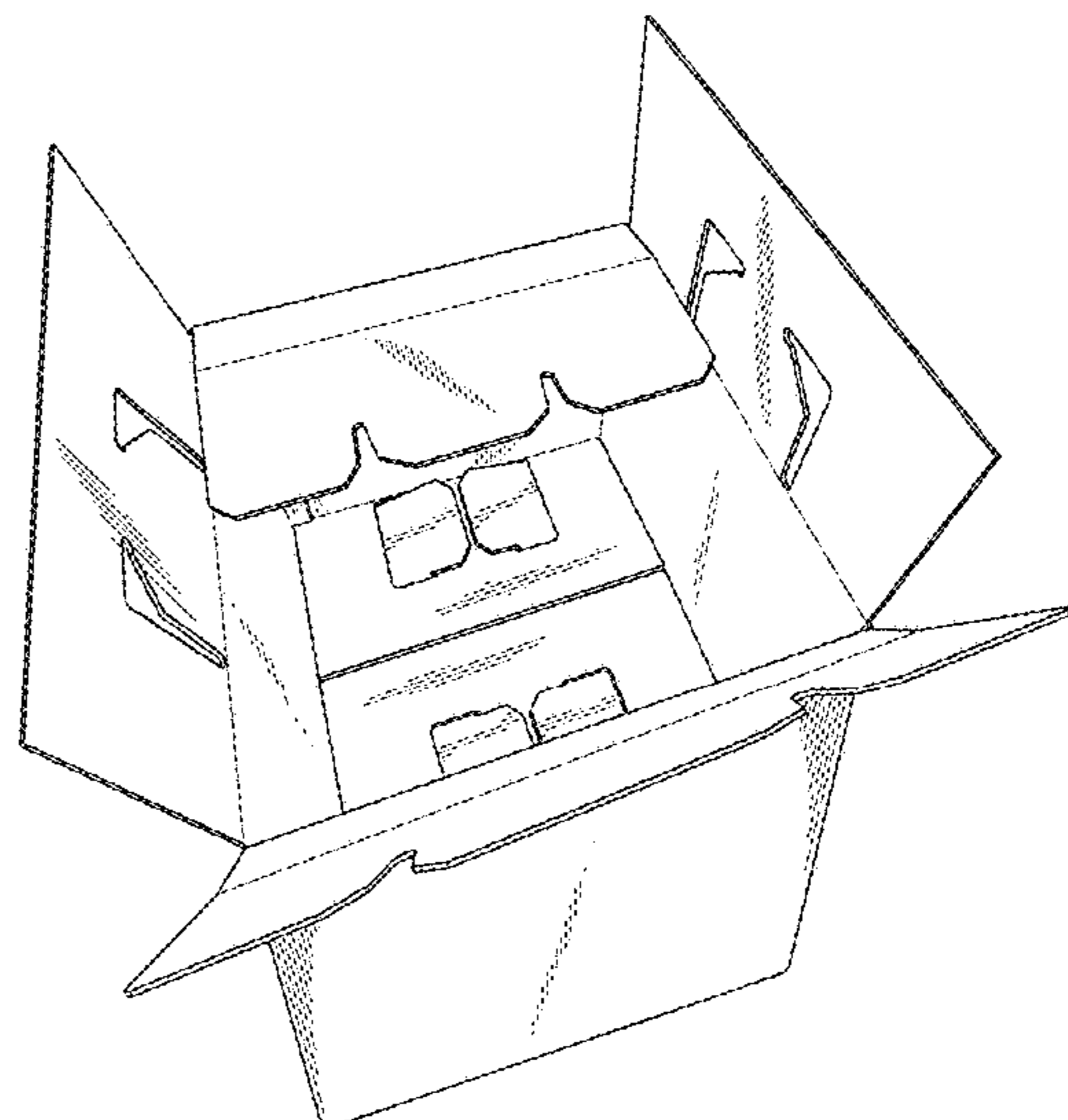
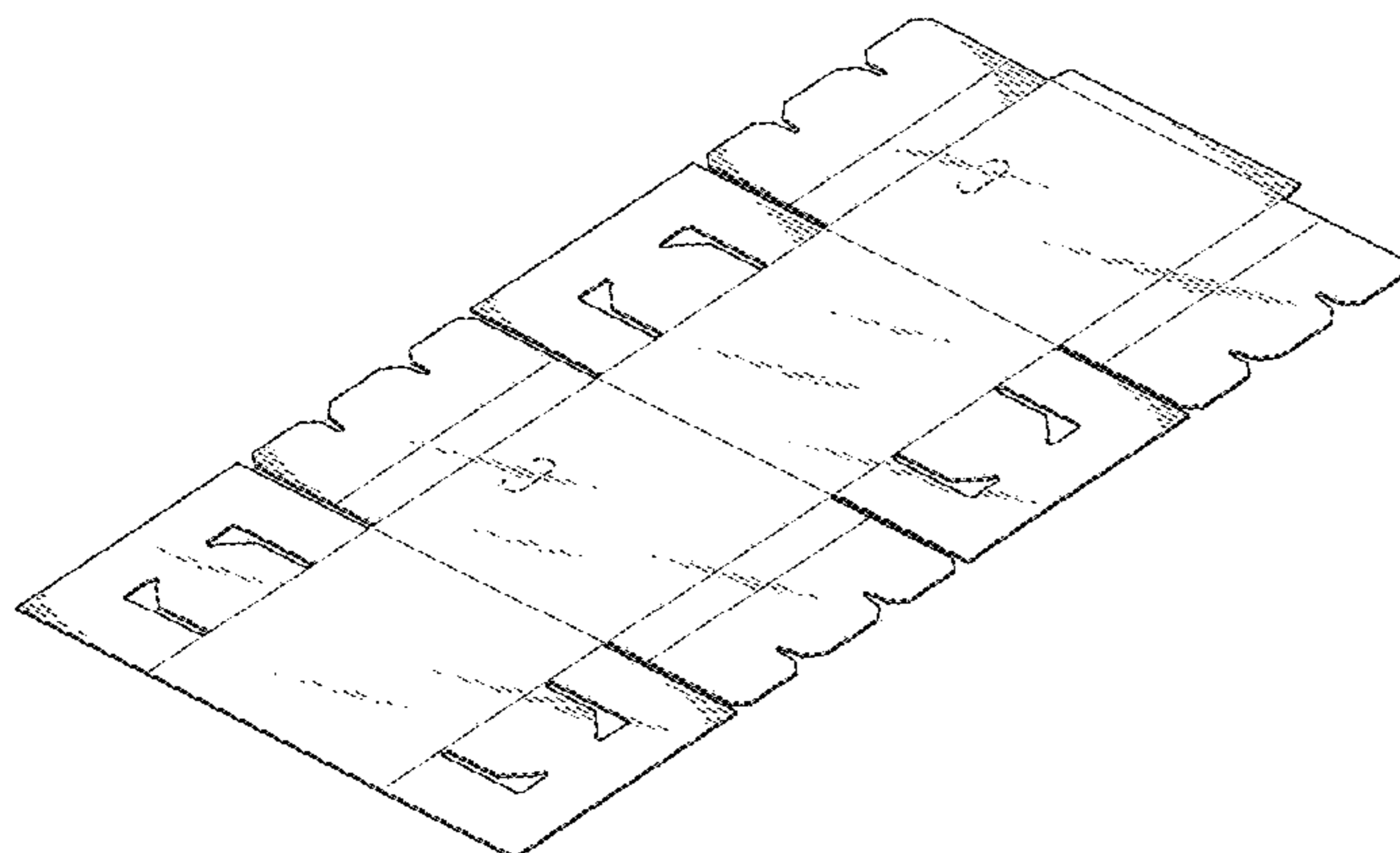
FIG. 13 is a perspective view thereof illustrating a next
assembly step.

FIG. 14 is a perspective view thereof illustrating a next
assembly step; and,

FIG. 15 is a perspective view thereof illustrating the claimed
design fully assembled.

The invention pertains to an ornamental design for a
mechanically secured box. The broken lines shown in FIGS.
1-2, 7-9, and 14-15 depict features of the mechanically
secured box—specifically handle cutouts—that form no part
of the claimed design.

1 Claim, 10 Drawing Sheets



(58) **Field of Classification Search**
 CPC ... B65D 5/00; B65D 5/02; B65D 5/18; B65D
 5/20
 See application file for complete search history.

(56) **References Cited**

U.S. PATENT DOCUMENTS

2,151,733	A	3/1939	Bonfield	
2,554,004	A	5/1951	Bergstein	
2,927,720	A	3/1960	Adams	
2,934,251	A	4/1960	Kramer	
3,096,879	A	7/1963	Schumacher	
3,222,843	A	12/1965	Schneider	
3,854,650	A	12/1974	Hanaue	
4,049,188	A	9/1977	Persson	
4,294,079	A	10/1981	Benson	
4,399,157	A	8/1983	Caporaso	
4,418,864	A	12/1983	Neilsen	
4,434,890	A	3/1984	Sieck et al.	
4,650,112	A	3/1987	Booth	
4,884,741	A	12/1989	Nederveld	
4,953,782	A	9/1990	Noland	
5,022,582	A	6/1991	Ritter	
5,104,035	A	4/1992	Rosenbaum, II	
5,418,031	A	5/1995	English	
5,441,170	A	8/1995	Bane, III	
6,325,281	B1	12/2001	Grogan	
6,325,282	B1	12/2001	Kanter et al.	
6,343,696	B1	2/2002	McCormick et al.	
6,378,733	B1	4/2002	Boonzaier	
6,736,309	B1	5/2004	Westerman et al.	
6,837,420	B2	1/2005	Westerman et al.	
6,868,982	B2	3/2005	Gordon	
6,875,486	B2	4/2005	Miller	
6,910,582	B2	6/2005	Lantz	
D514,928	S	2/2006	Keberlein	
7,083,147	B2	8/2006	Movsesian et al.	
7,094,192	B2	8/2006	Schoenberger et al.	
D542,129	S	5/2007	Moorman	
7,229,677	B2	6/2007	Miller	
7,422,143	B2	9/2008	Mayer	
7,452,316	B2	11/2008	Cals et al.	
7,500,593	B2	3/2009	Mayer	
7,624,911	B2	12/2009	Spurrell et al.	
D608,634	S	1/2010	Riedi	
7,681,405	B2	3/2010	Williams	
7,841,512	B2	11/2010	Westerman	
7,870,992	B2	1/2011	Schille et al.	
D651,076	S *	12/2011	Van Berlo D9/433	
8,101,259	B2	1/2012	Kuboniwa	
8,250,882	B2	8/2012	Mustafa et al.	
8,365,943	B2	2/2013	Bentley	
8,424,335	B2	4/2013	Corder et al.	
8,453,477	B2	6/2013	Crespo et al.	
8,613,202	B2	12/2013	Williams	
8,728,605	B2	5/2014	Payne et al.	
8,763,423	B2	7/2014	Tattam	
8,763,811	B2	7/2014	Lantz	
8,763,886	B2	7/2014	Hall	
8,887,515	B2	11/2014	Patstone	
8,919,082	B1	12/2014	Cataldo	
8,938,986	B2	1/2015	Matta et al.	
9,242,758	B2	1/2016	Brundage et al.	
9,550,618	B1	1/2017	Jobe	
9,605,382	B2	3/2017	Virtanen	
9,751,683	B1	9/2017	Jobe	
9,981,797	B2	5/2018	Aksan et al.	
10,065,782	B1	9/2018	Jones et al.	
10,106,290	B2 *	10/2018	Couture B65D 5/003	
D834,411	S *	11/2018	Vanderhulst D9/432	
10,266,332	B2	4/2019	Aksan et al.	
2002/0050147	A1	5/2002	Mai et al.	
2002/0096559	A1	7/2002	Quaintance	
2004/0004111	A1	1/2004	Cardinale	
2004/0016212	A1	1/2004	Miller	
2004/0081727	A1	4/2004	Kelly et al.	

2004/0151851	A1	8/2004	Miller
2004/0211825	A1	10/2004	Champion et al.
2005/0006446	A1	1/2005	Stafford, Jr.
2005/0159282	A1	7/2005	Schoenberger et al.
2005/0163947	A1	7/2005	Miller
2005/0178142	A1	8/2005	Perry et al.
2005/0224501	A1	10/2005	Folkert et al.
2005/0241978	A1	11/2005	Plue et al.
2006/0003057	A1	1/2006	Kelly et al.
2006/0163333	A1	7/2006	Kornacki
2006/0174648	A1	8/2006	Lantz
2007/0051782	A1	3/2007	Lantz
2007/0051783	A1	3/2007	Wisecarver
2007/0152027	A1	7/2007	Hyatt et al.
2008/0078819	A1	4/2008	Strong et al.
2008/0095959	A1	4/2008	Warner et al.
2008/0099492	A1	5/2008	Mayer
2008/0289302	A1	11/2008	Vulpitta
2008/0296356	A1	12/2008	Hatcher et al.
2009/0078708	A1	3/2009	Williams
2009/0193765	A1	8/2009	Lantz
2009/0283578	A1	11/2009	Miller
2010/0072105	A1	3/2010	Glaser et al.
2010/0139878	A1	6/2010	Nicolucci
2010/0314397	A1	12/2010	Williams et al.
2011/0042449	A1	2/2011	Copenhaver et al.
2011/0100868	A1	5/2011	Lantz
2011/0114513	A1	5/2011	Miller
2011/0127272	A1	6/2011	Crespo et al.
2011/0241514	A1	10/2011	Nomura et al.
2011/0284556	A1	11/2011	Palmer et al.
2011/0311758	A1	12/2011	Burns et al.
2012/0145568	A1	6/2012	Collison et al.
2012/0248101	A1	10/2012	Tumber et al.
2012/0251818	A1	10/2012	Axrup et al.
2013/0094791	A1	4/2013	Aspenson et al.
2013/0055750	A1	5/2013	Mustafa et al.
2013/0112694	A1	5/2013	Bentley
2013/0112695	A1	5/2013	Hall
2013/0140317	A1	6/2013	Roskoss
2013/0291584	A1	11/2013	Chapman, Jr.
2014/0000306	A1	1/2014	Chapman, Jr.
2014/0021208	A1	1/2014	Anti et al.
2014/0144161	A1	5/2014	Pointer et al.
2014/0151382	A1	6/2014	White et al.
2014/0319018	A1	10/2014	Collison
2014/0353317	A1	12/2014	Ranade et al.
2014/0367393	A1	12/2014	Ranade
2015/0068242	A1	3/2015	Patstone
2016/0304267	A1	10/2016	Aksan
2016/0325915	A1	11/2016	Aksan
2017/0225870	A1	8/2017	Collison
2018/0086539	A1	3/2018	Aksan et al.
2018/0237207	A1	8/2018	Aksan et al.
2019/0185248	A1	6/2019	Aksan et al.
2019/0193917	A1	6/2019	Aksan et al.
2019/0270539	A1	9/2019	Muse et al.

FOREIGN PATENT DOCUMENTS

GB	1272730	5/1972
JP	2001018952	1/2001
JP	5661362	1/2015
WO	2016187435	A2 5/2016
WO	2016187435	A3 11/2016

OTHER PUBLICATIONS

Aksan, Yavuz; Applicant-Initiated Interview Summary for U.S. Appl. No. 14/703,094, filed May 4, 2015, dated Jan. 16, 2019, 3 pgs.
 Aksan, Yavuz; Non-Final Office Action for US. Appl. No. 14/703,094, filed May 4, 2015, dated Oct. 30, 2018, 13 pgs.
 Aksan, Yavuz; Advisory Action for U.S. Appl. No. 14/703,094, filed May 4, 2015, dated Sep. 13, 2018, 3 pgs.
 Aksan, Yavuz; Final Office Action for U.S. Appl. No. 14/703,094, filed May 4, 2015, dated Jul. 10, 2018, 25 pgs.
 Aksan, Yavuz; Applicant-Initiated Interview Summary for U.S. Appl. No. 14/690,501, filed Apr. 20, 2015, dated Feb. 9, 2017, 7 pgs.

(56)

References Cited

OTHER PUBLICATIONS

Aksan, Yavuz; Final Office Action for U.S. Appl. No. 14/690,501, filed Apr. 20, 2015, dated Dec. 8, 2016, 18 pgs.

Aksan, Yavuz; Issue Notification for U.S. Appl. No. 14/690,501, filed Apr. 20, 2015, dated May 9, 2018, 1 pg.

Aksan, Yavuz; Non-Final Office Action for U.S. Appl. No. 14/690,501, filed Apr. 20, 2015, dated Aug. 17, 2016; 22 pgs.

Aksan, Yavuz; Non-Final Office Action for U.S. Appl. No. 14/690,501, filed Apr. 20, 2015, dated Aug. 8, 2017, 18 pgs.

Aksan, Yavuz; Notice of Allowability for U.S. Appl. No. 14/690,501, filed Apr. 20, 2015, dated Mar. 28, 2018, 2 pgs.

Aksan, Yavuz; Notice of Allowability for U.S. Appl. No. 14/690,501, filed Apr. 20, 2015, dated Apr. 18, 2018, 6 pgs.

Aksan, Yavuz; Notice of Allowability for U.S. Appl. No. 14/690,501, filed Apr. 20, 2015, dated Apr. 26, 2018, 6 pgs.

Aksan, Yavuz; Notice of Allowance for U.S. Appl. No. 14/690,501, filed Apr. 20, 2015, filed Jan. 31, 2018, 14 pgs.

Aksan, Yavuz; Non-Final Office Action for U.S. Appl. No. 14/703,904, filed May 4, 2015, dated Dec. 29, 2017, 39 pgs.

Aksan, Yavuz; Restriction Requirement for U.S. Appl. No. 14/703,904, filed May 4, 2015, dated Sep. 15, 2017, 7 pgs.

Greenblue; "Environmental Technical Briefs of Common Packaging Materials—Fiber-Based Materials", Sustainable Packaging Solution, 2009, 19 pgs.

MP Global Products; Article entitled: "Thermopod mailer envelopes and Thermokeeper insulated box liners", located at < http://www.mhpn.com/product/thermopod_mailer_envelopes_and_thermokeeper_insulated_box_liners/packaging>, accessed on Aug. 30, 2017, 2 pgs.

UN Packaging; Article entitled: "CooLiner ® Insulated Shipping Bags", available at <<http://www.chem-tran.com/packaging/supplies/cooliner-insulated-shipping-bags.php>>, accessed on Aug. 30, 2017, 2 pgs.

Aksan, Yavuz; Non-Final Office Action for U.S. Appl. No. 15/954,677, filed Apr. 11, 2018, dated Jun. 13, 2019, 45 pgs.

Aksan, Yavuz; Non-Final Office Action for U.S. Appl. No. 16/280,609, filed Feb. 20, 2019, dated Jun. 13, 2019, 28 pgs.

Aksan, Yavuz; Non-Final Office Action for U.S. Appl. No. 15/809,072, filed Nov. 10, 2017, dated Aug. 6, 2019, 47 pgs.

Aksan, Yavuz; Issue Notification for U.S. Appl. No. 14/703,094, filed May 4, 2015, dated Apr. 3, 2019, 1 pg.

Aksan, Yavuz; Notice of Allowance for U.S. Appl. No. 14/703,094, filed May 4, 2015, dated Feb. 19, 2019, 13 pgs.

Muse, John Richard; Non-Final Office Action for U.S. Appl. No. 15/909,515, filed Mar. 1, 2018, dated Mar. 18, 2019, 34 pgs.

Aksan, Yavuz; Final Office Action for U.S. Appl. No. 15/954,677, filed Apr. 17, 2018, dated Nov. 8, 2019, 23 pgs.

Aksan, Yavuz; Applicant-Initiated Interview Summary for U.S. Appl. No. 16/280,609, filed Feb. 20, 2019, dated Oct. 4, 2019, 3 pgs.

Aksan, Yavuz; Final Office Action for U.S. Appl. No. 16/280,609, filed Feb. 20, 2019, dated Sep. 10, 2019, 18 pgs.

Aksan, Yavuz; Non-Final Office Action for U.S. Appl. No. 16/280,609, filed Feb. 20, 2019, dated Nov. 19, 2019, 14 pgs.

Muse, John Richard; Final Office Action for U.S. Appl. No. 15/909,515, filed Mar. 1, 2018, dated Sep. 19, 2019, 16 pgs.

Muse, John Richard; Advisory Action for U.S. Appl. No. 15/909,515, filed Mar. 1, 2018, dated Nov. 20, 2019, 3 pgs.

* cited by examiner

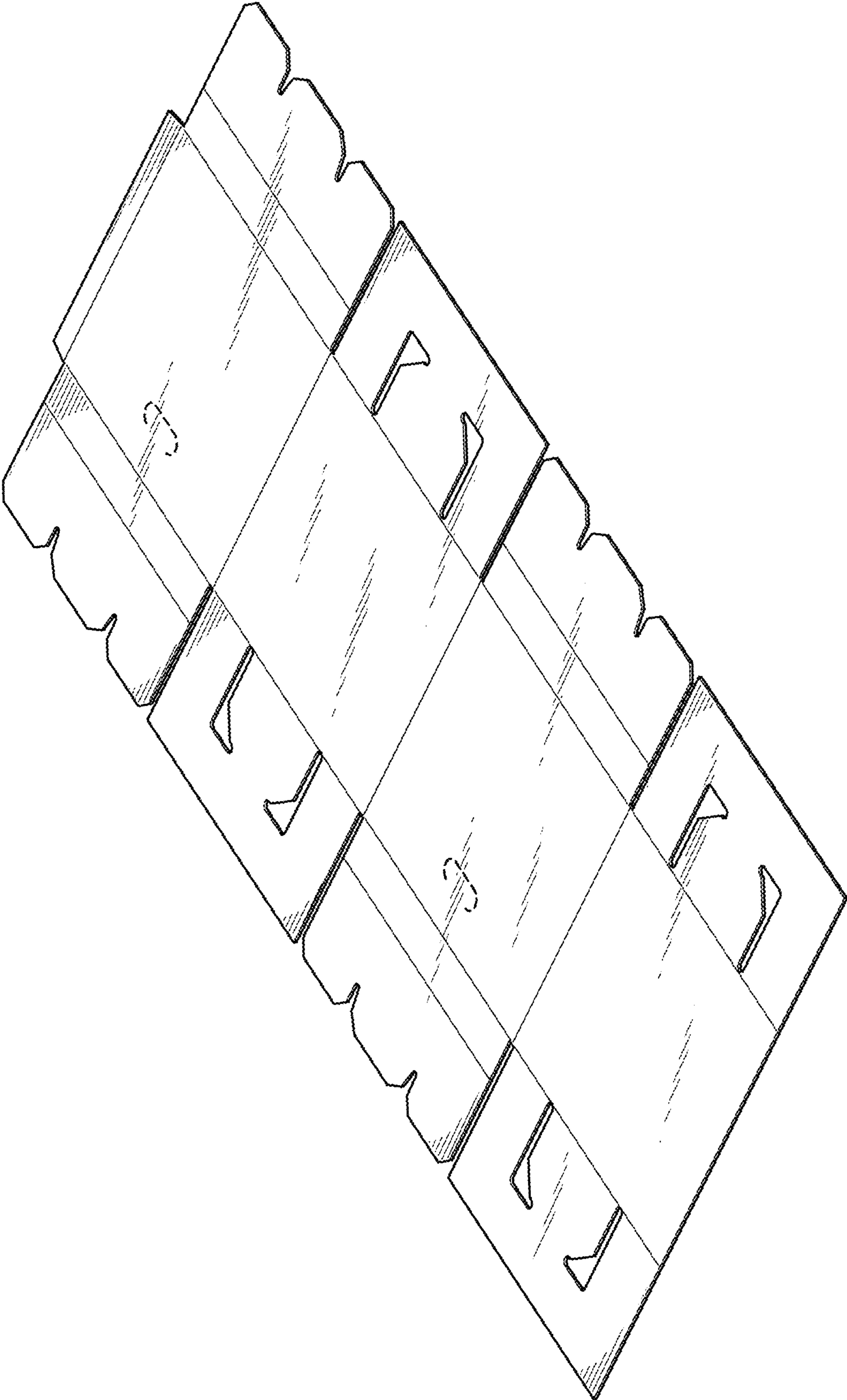


FIG. 1

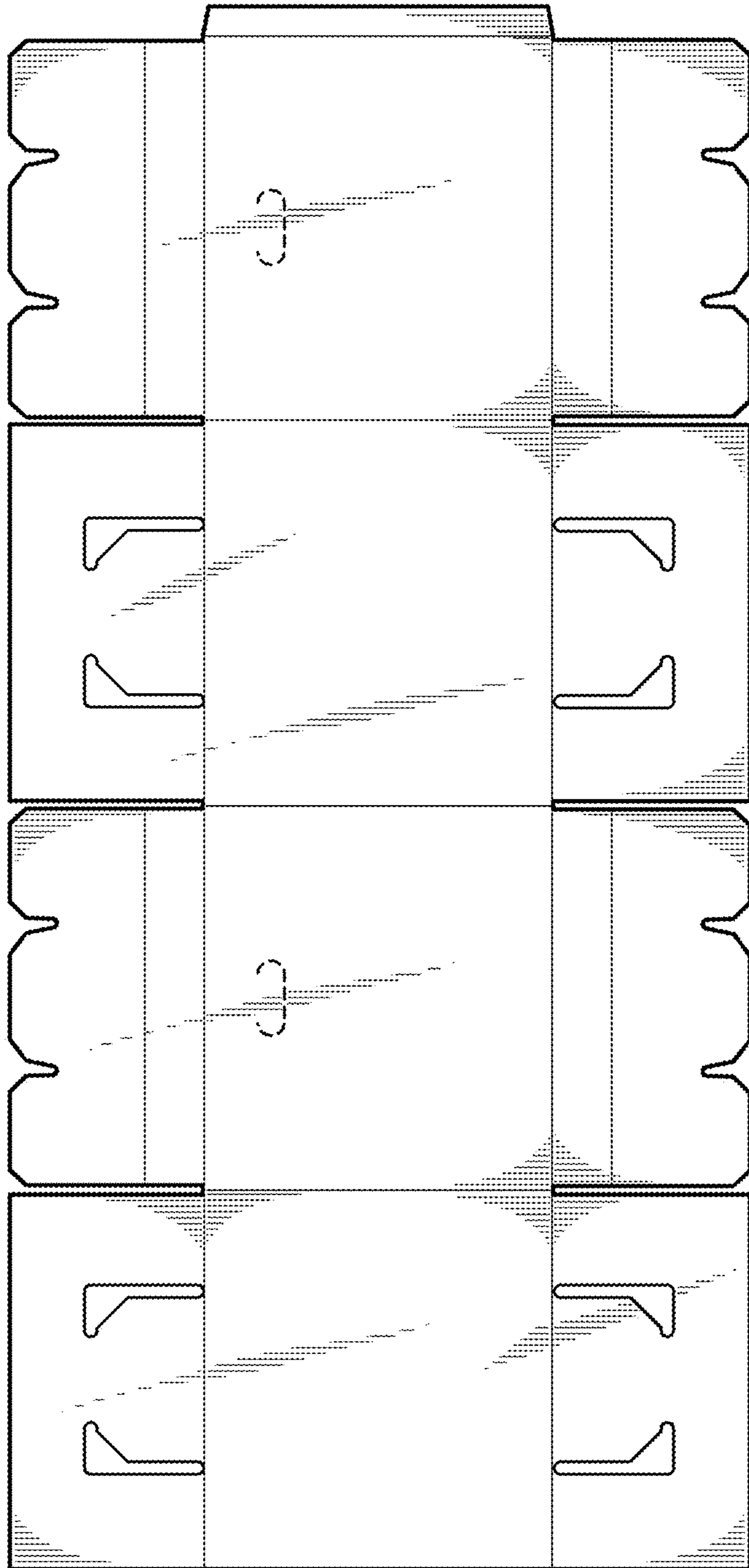


FIG. 2



FIG. 3



FIG. 4



FIG. 5



FIG. 6

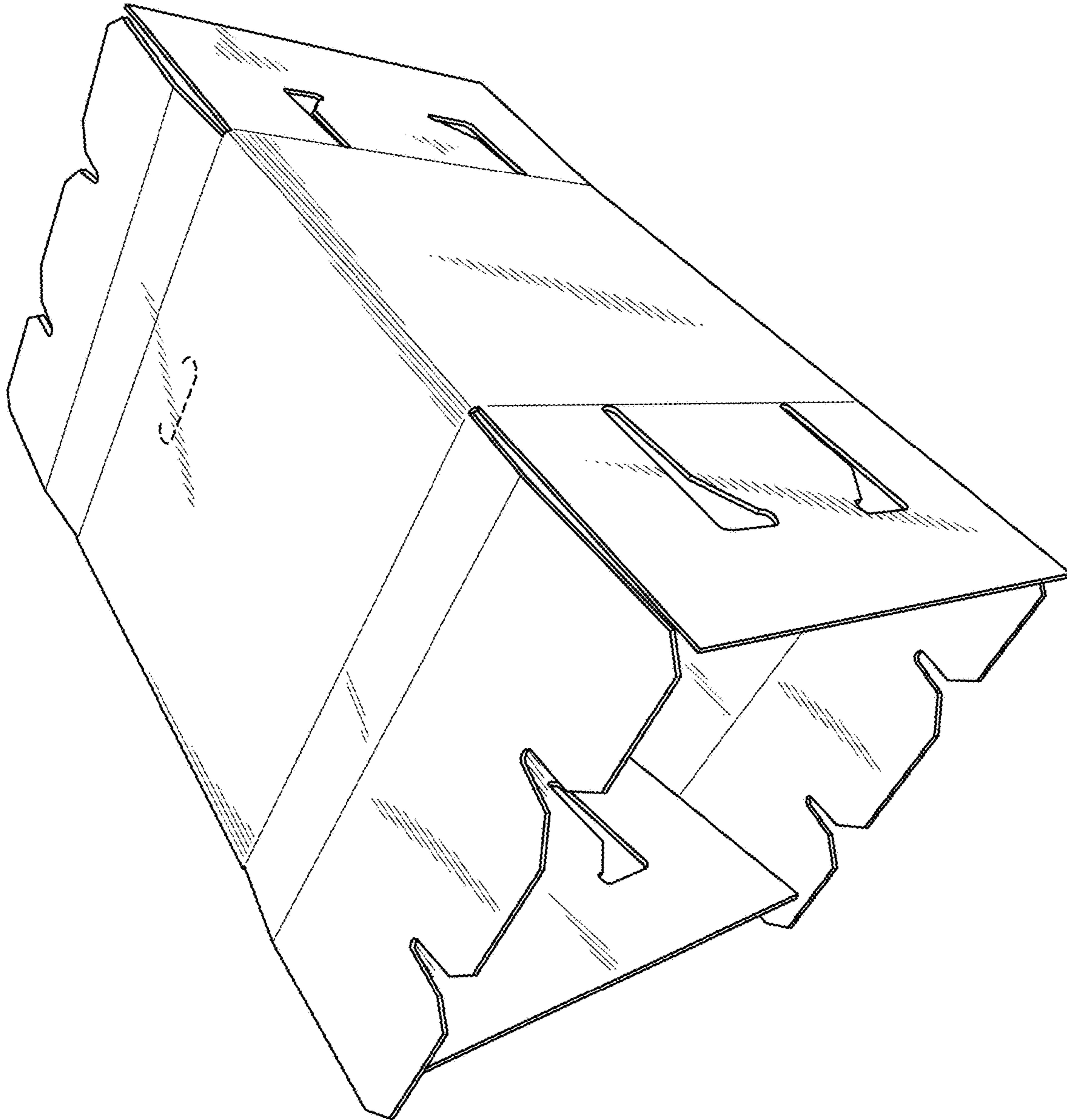


FIG. 7

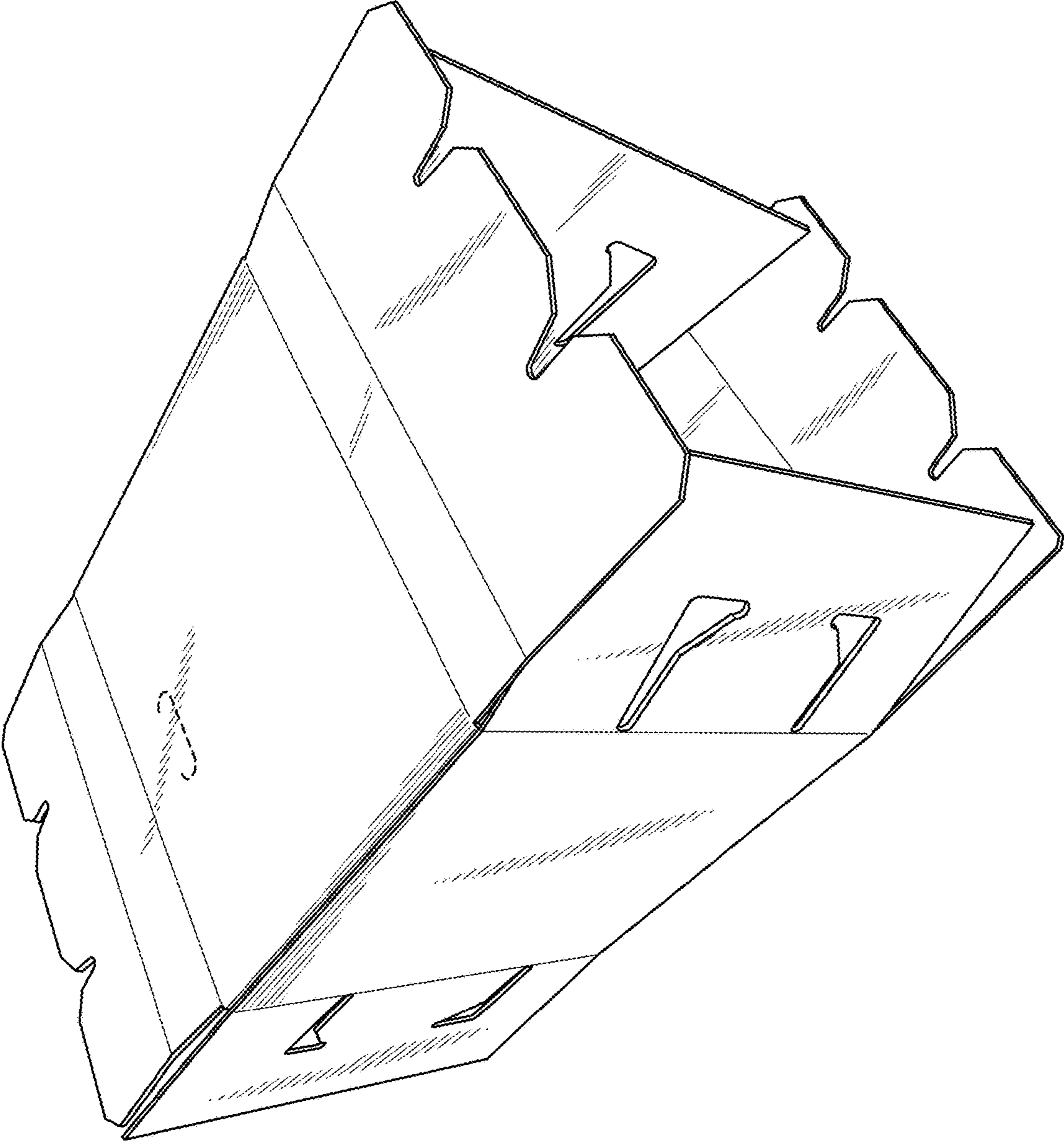


FIG. 8

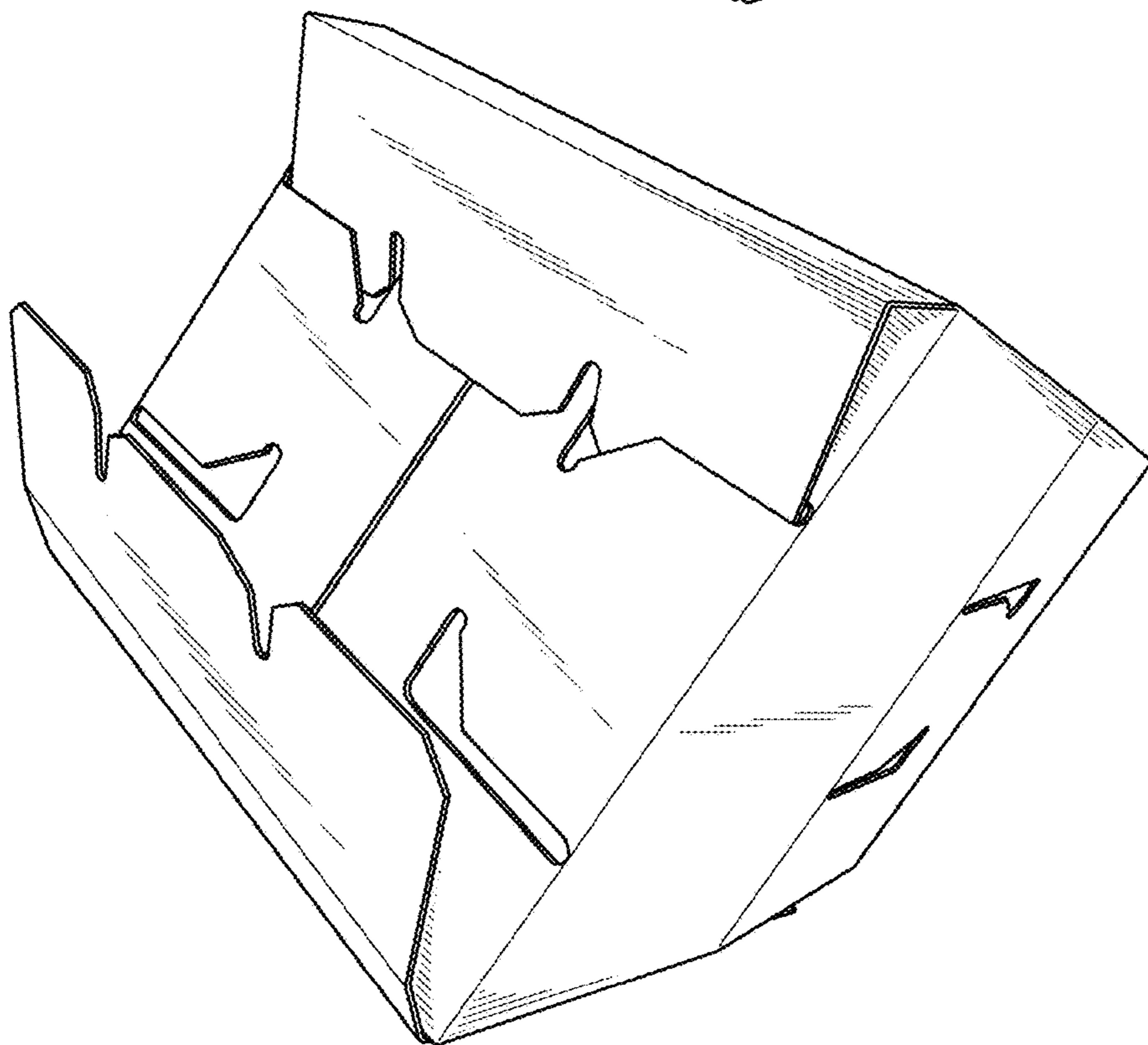


FIG. 9

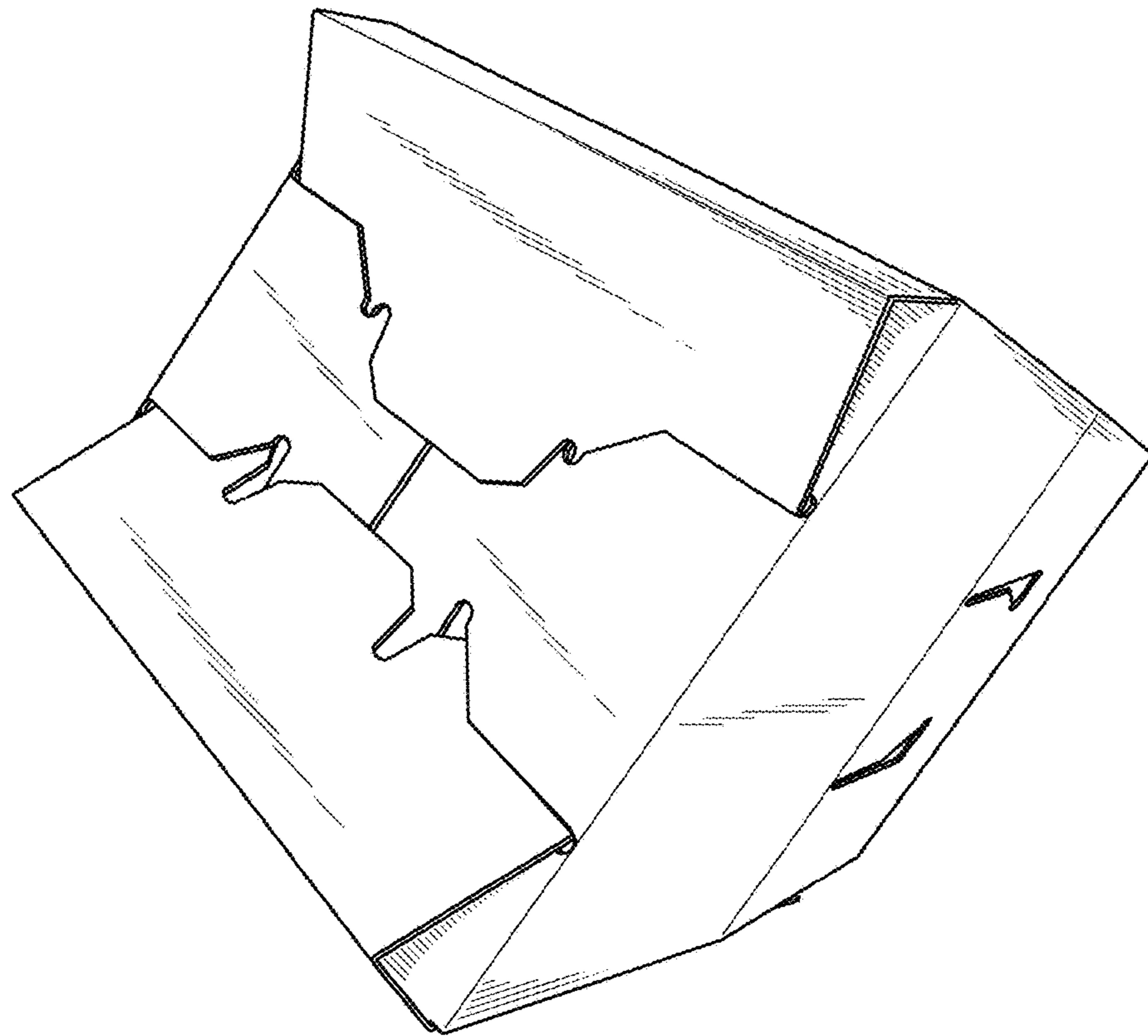


FIG. 10

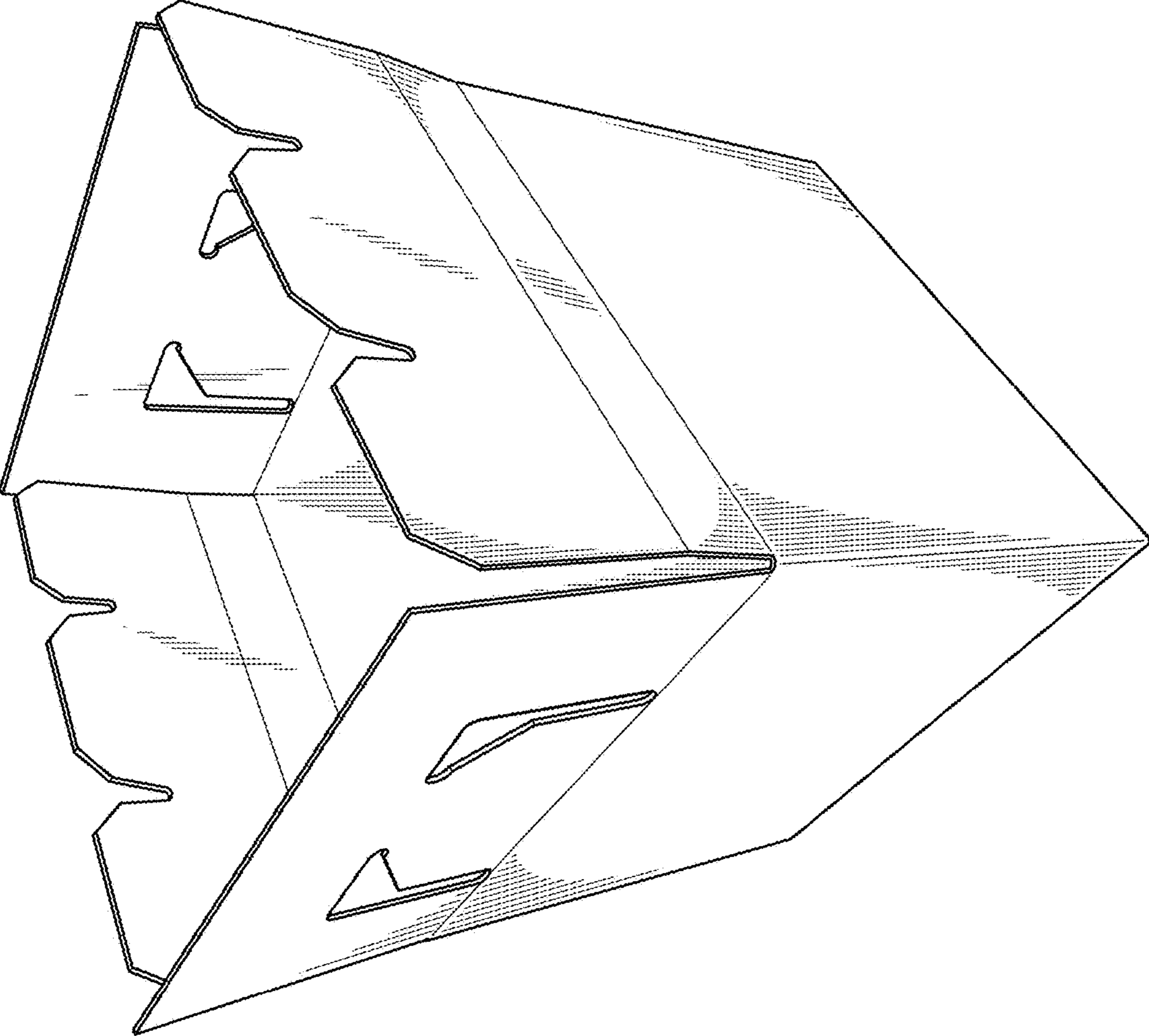


FIG. 11

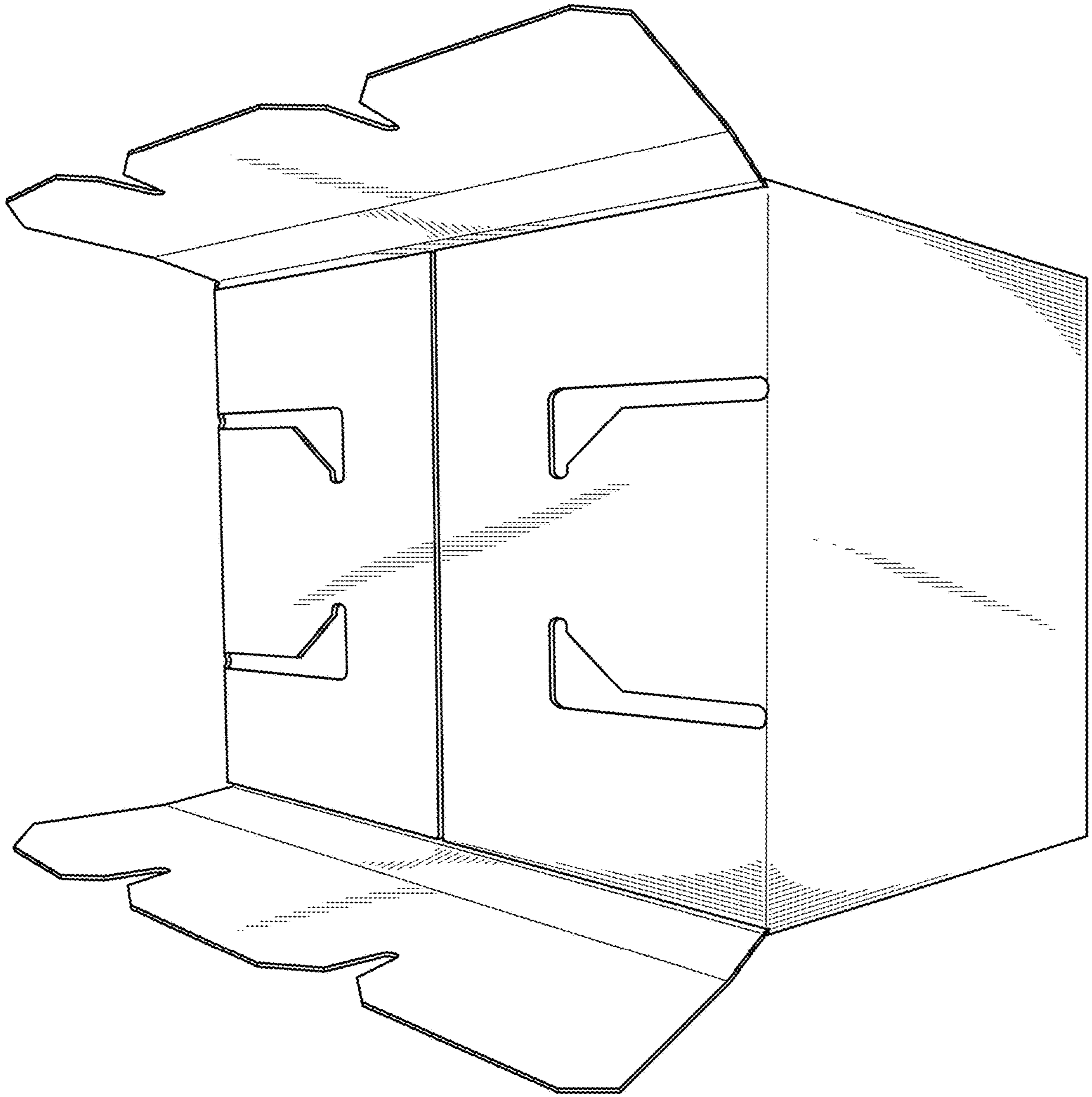


FIG. 12

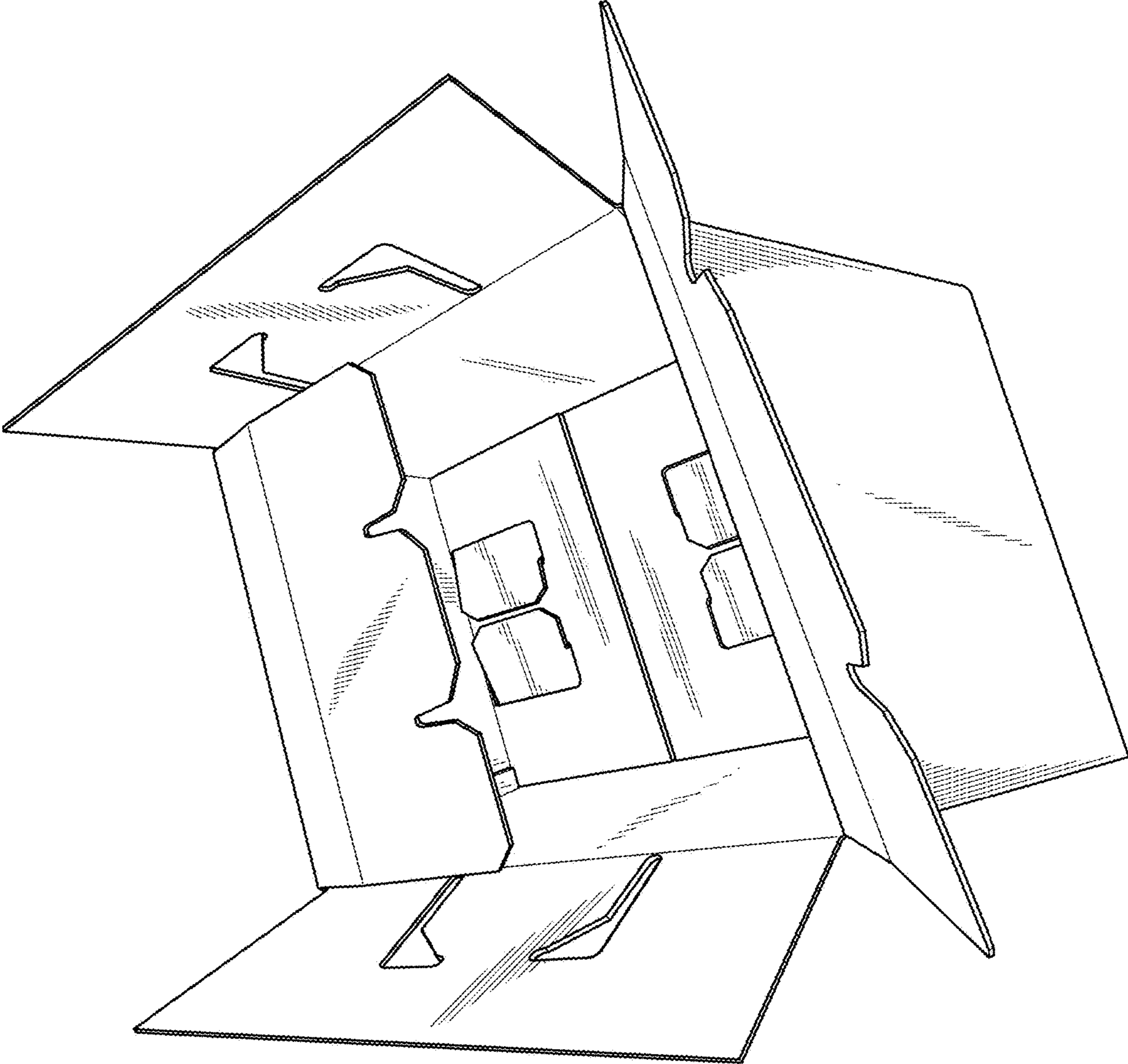


FIG. 13

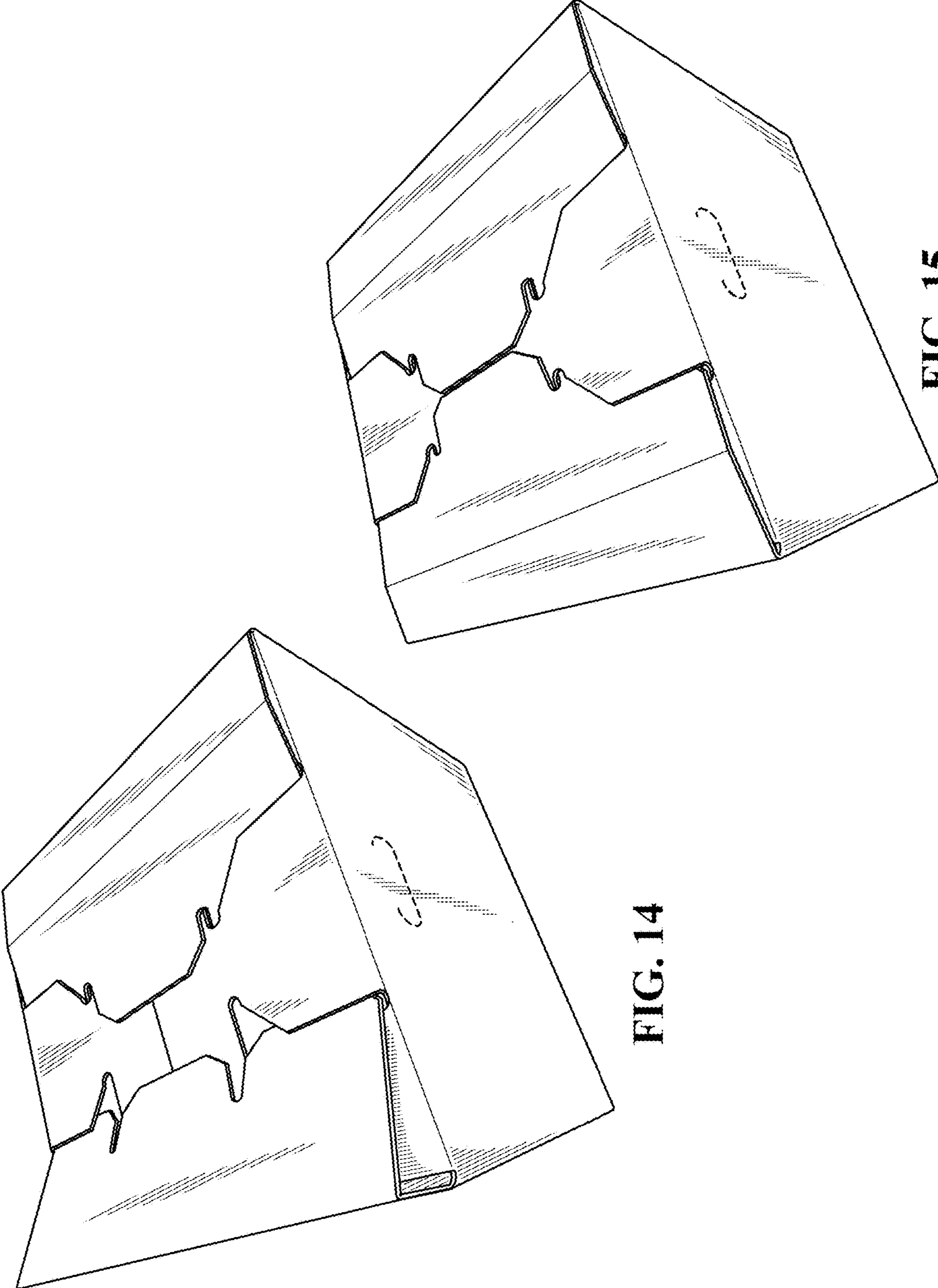


FIG. 14

FIG. 15