



US00D874267S

(12) **United States Design Patent**  
**Perella et al.**

(10) **Patent No.:** **US D874,267 S**

(45) **Date of Patent:** **\*\* Feb. 4, 2020**

(54) **FOLDABLE BOX**  
(71) Applicant: **IdeaStream Consumer Products, LLC**, Cleveland, OH (US)  
(72) Inventors: **Daniel V. Perella**, Cleveland, OH (US); **Benjamin Hietanen**, Cleveland, OH (US); **Zhenghong Li**, Shenzhen (CN); **Jensen Tuen**, Fanling (HK); **Jinyuan Li**, Shenzhen (CN)

(73) Assignee: **IdeaStream Consumer Products, LLC**, Cleveland, OH (US)

(\*\*) Term: **15 Years**

(21) Appl. No.: **29/631,421**

(22) Filed: **Dec. 29, 2017**

(51) **LOC (12) Cl.** ..... **09-03**

(52) **U.S. Cl.**  
USPC ..... **D9/432**; D9/433; D3/299

(58) **Field of Classification Search**  
USPC ..... D3/273, 274, 275, 276, 281, 284, 292, D3/294, 295, 296, 297, 299, 905, 901, D3/903, 205, 203.1, 279, 282, 242, 301, D3/302; D9/414, 418, 420-423, 425, D9/428, 432, 433  
CPC .. A45C 5/00; A45C 5/04; A45C 11/00; A45C 11/16

See application file for complete search history.

(56) **References Cited**

**U.S. PATENT DOCUMENTS**

1,053,836 A \* 2/1913 Leiman ..... B65D 5/3642  
229/117.07  
1,694,126 A \* 12/1928 Joslin ..... B65D 5/3657  
493/128  
7,681,782 B2 \* 3/2010 Bondarik ..... B65D 5/36  
229/117.07  
8,573,471 B2 \* 11/2013 Wong ..... B65D 5/241  
229/117.08

8,857,702 B2 \* 10/2014 Hui ..... B65D 5/241  
229/117.08  
D755,641 S \* 5/2016 O'Neill ..... B65D 5/5088  
D9/721  
RE46,563 E \* 10/2017 Wong  
D815,343 S \* 4/2018 Kesselman ..... D27/187  
D828,156 S \* 9/2018 Perella ..... D9/432  
D829,096 S \* 9/2018 Perella ..... D9/433  
D829,097 S \* 9/2018 Perella ..... D9/433  
D829,569 S \* 10/2018 O'Neill ..... D9/759  
D833,867 S \* 11/2018 Perella ..... D9/432

(Continued)

*Primary Examiner* — Holly E Thurman

(74) *Attorney, Agent, or Firm* — Fay Sharpe LLP

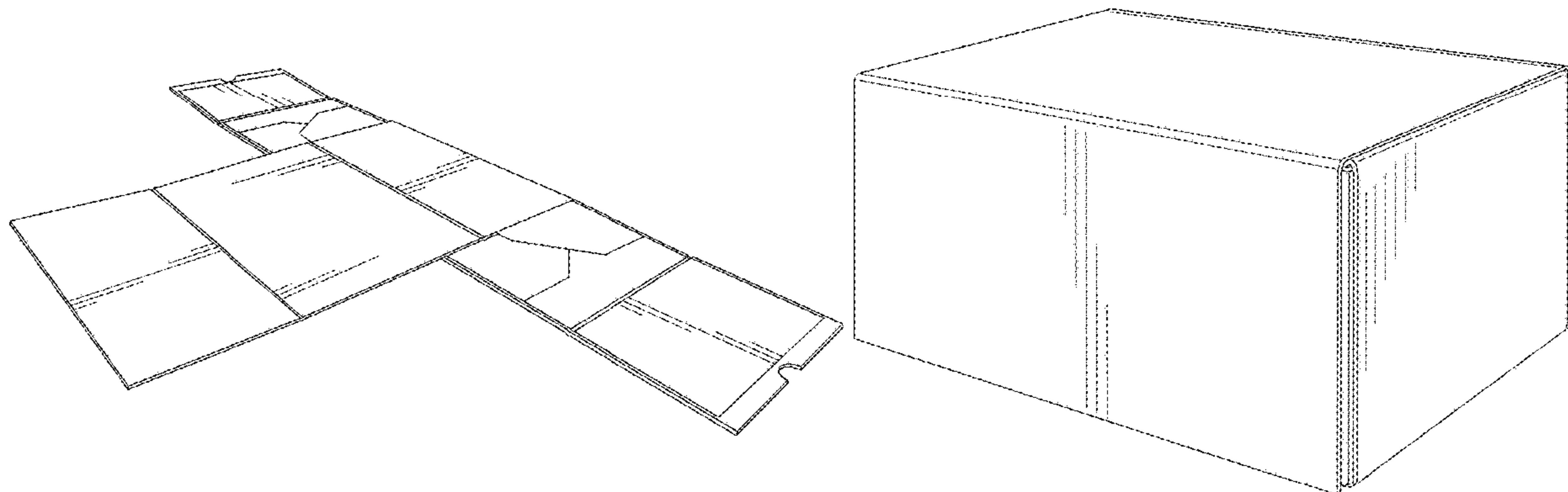
(57) **CLAIM**

The ornamental design for a foldable box, as shown and described.

**DESCRIPTION**

FIG. 1 is a front perspective view of the foldable box according to our new design, shown in a folded and unassembled configuration;  
FIG. 2 is a front perspective view thereof, shown in a partially unfolded and unassembled configuration;  
FIG. 3 is a front perspective view thereof, shown in an unfolded and unassembled configuration;  
FIG. 4 is a front perspective view thereof, in a partially folded and assembled configuration;  
FIG. 5 is a front perspective view thereof, shown in a folded and assembled configuration with the lid open;  
FIG. 6 is a front perspective view thereof, shown with the lid in a closed configuration;  
FIG. 7 is a top plan view thereof;  
FIG. 8 is a front elevation view thereof;  
FIG. 9 is a bottom plan view thereof;  
FIG. 10 is a back elevation view thereof;  
FIG. 11 is a side elevation view thereof; and,  
FIG. 12 is an opposite side elevation view thereof.

**1 Claim, 8 Drawing Sheets**



(56)

**References Cited**

U.S. PATENT DOCUMENTS

D850,908 S \* 6/2019 Perella ..... D9/432  
D858,274 S \* 9/2019 Perella ..... D9/432  
2013/0161377 A1\* 6/2013 Nebeker ..... B65D 5/322  
229/116.5  
2013/0161378 A1\* 6/2013 Nebeker ..... B65D 31/16  
229/116.5  
2018/0127140 A1\* 5/2018 Perella ..... B65D 5/3642

\* cited by examiner

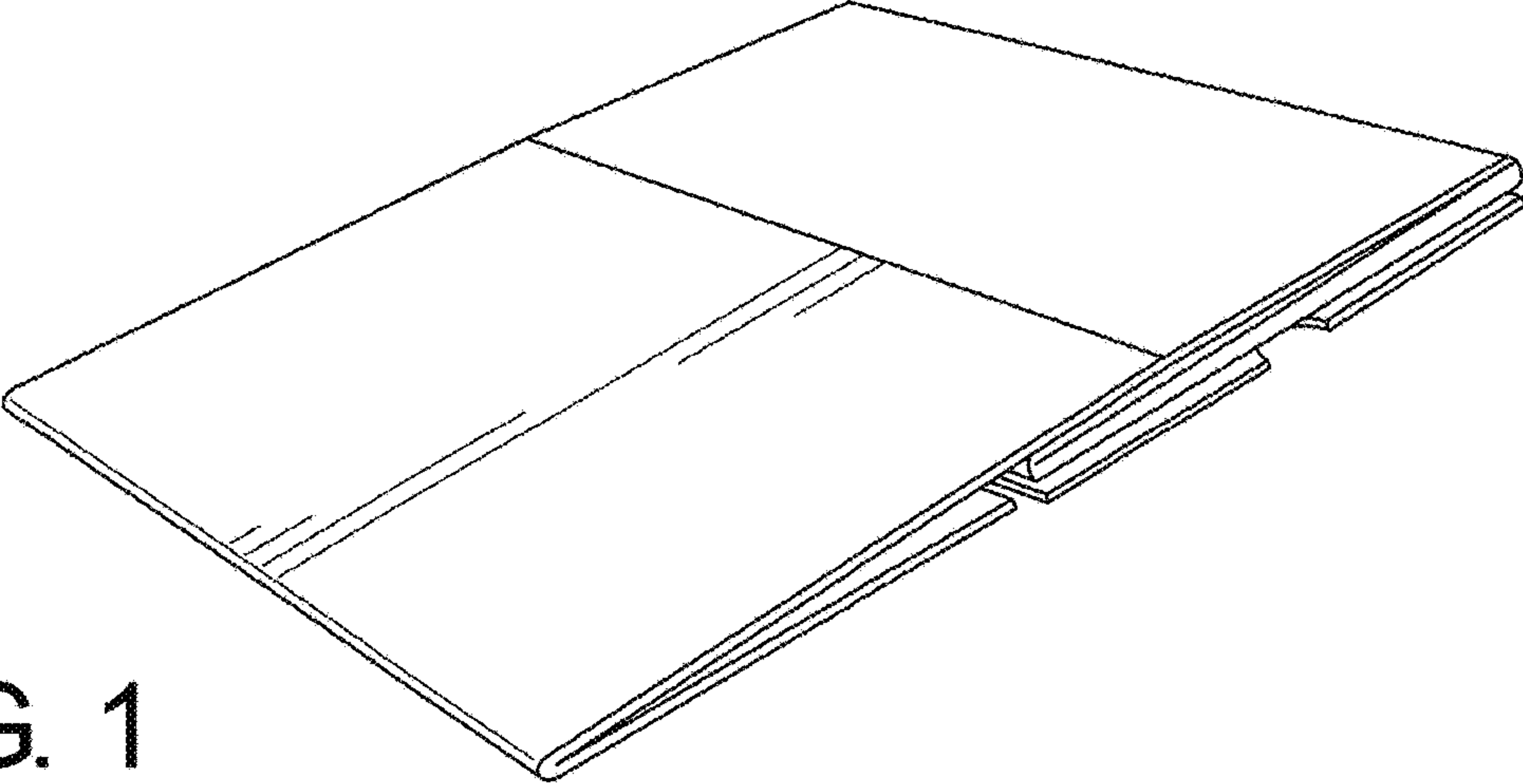


FIG. 1

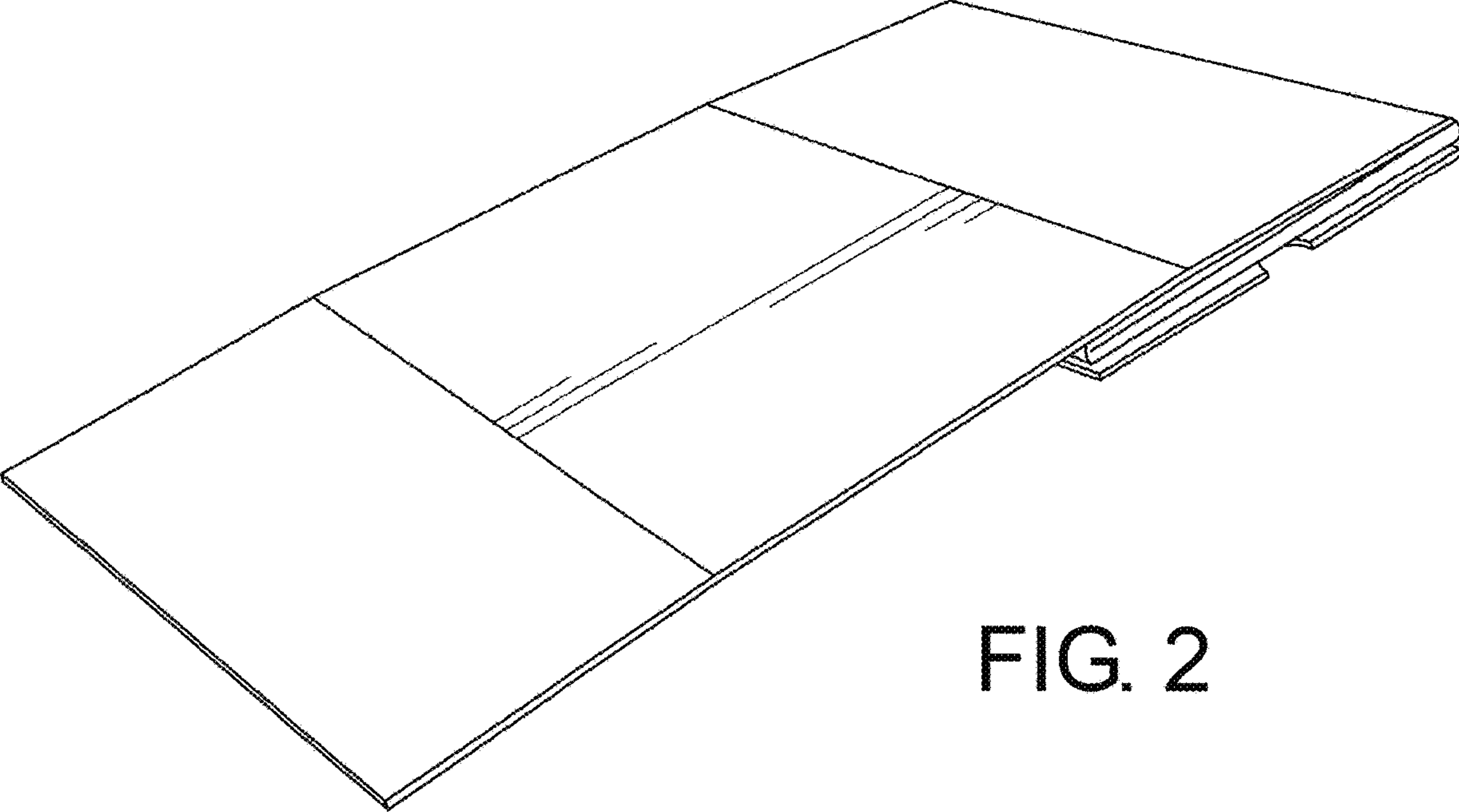


FIG. 2

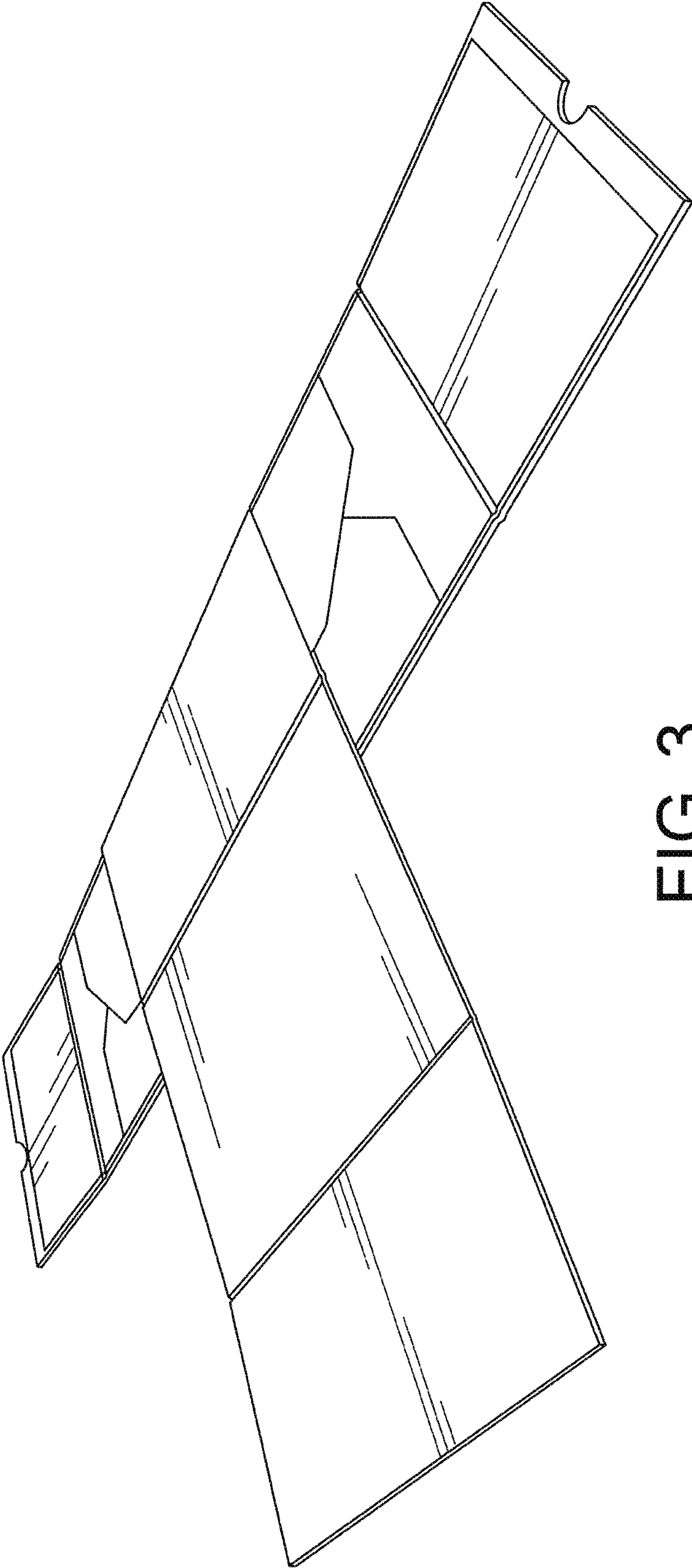


FIG. 3

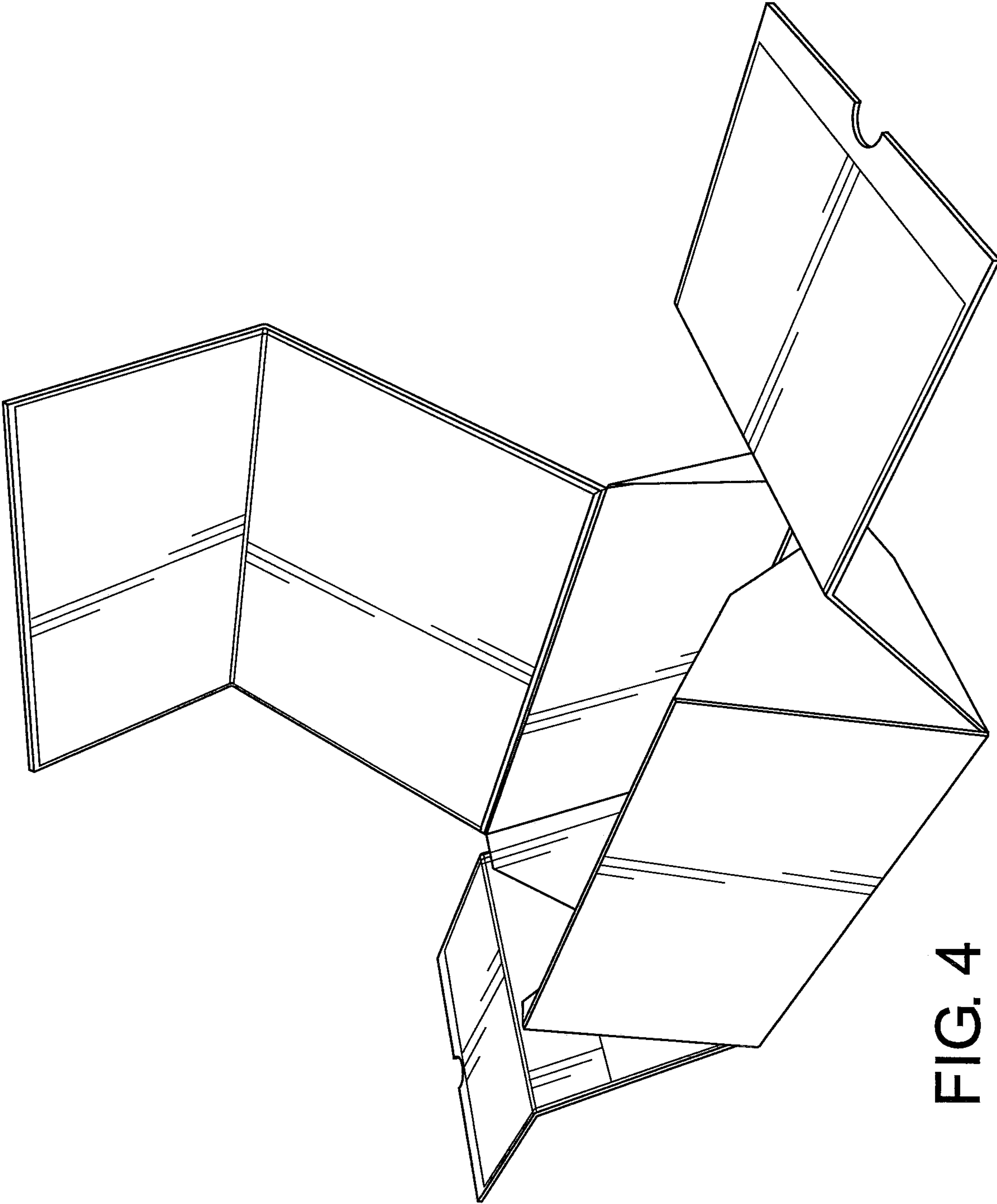


FIG. 4



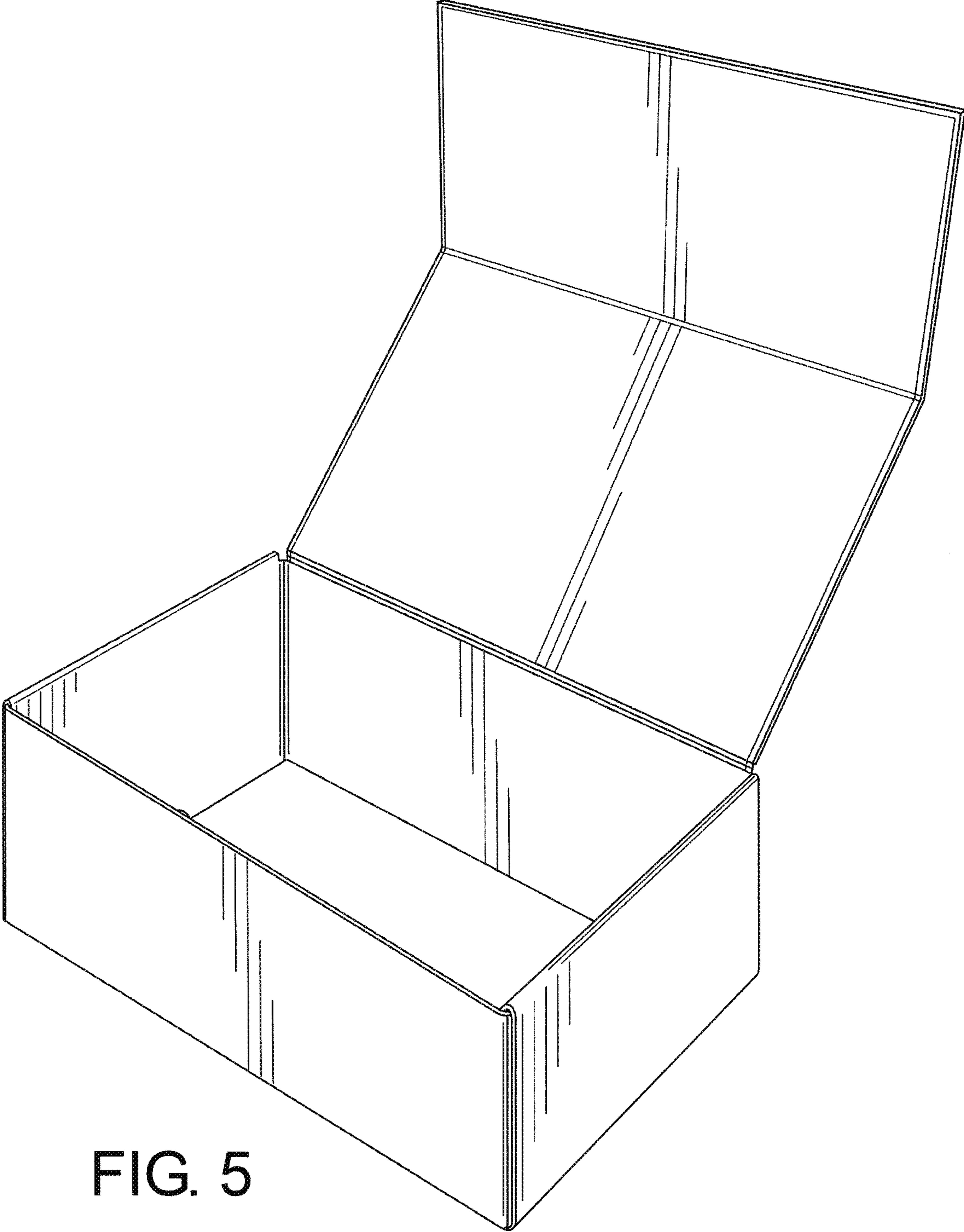


FIG. 5

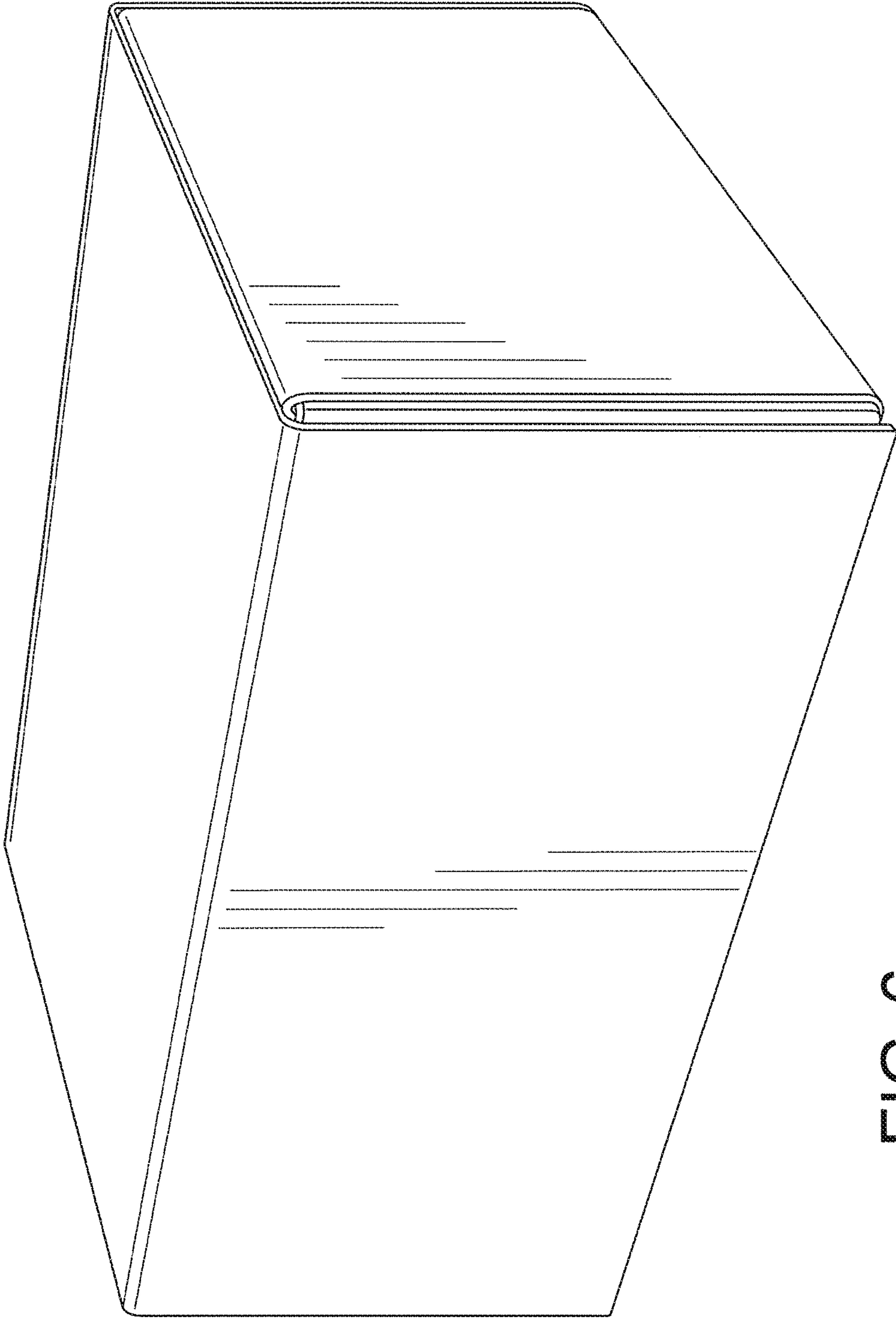


FIG. 6

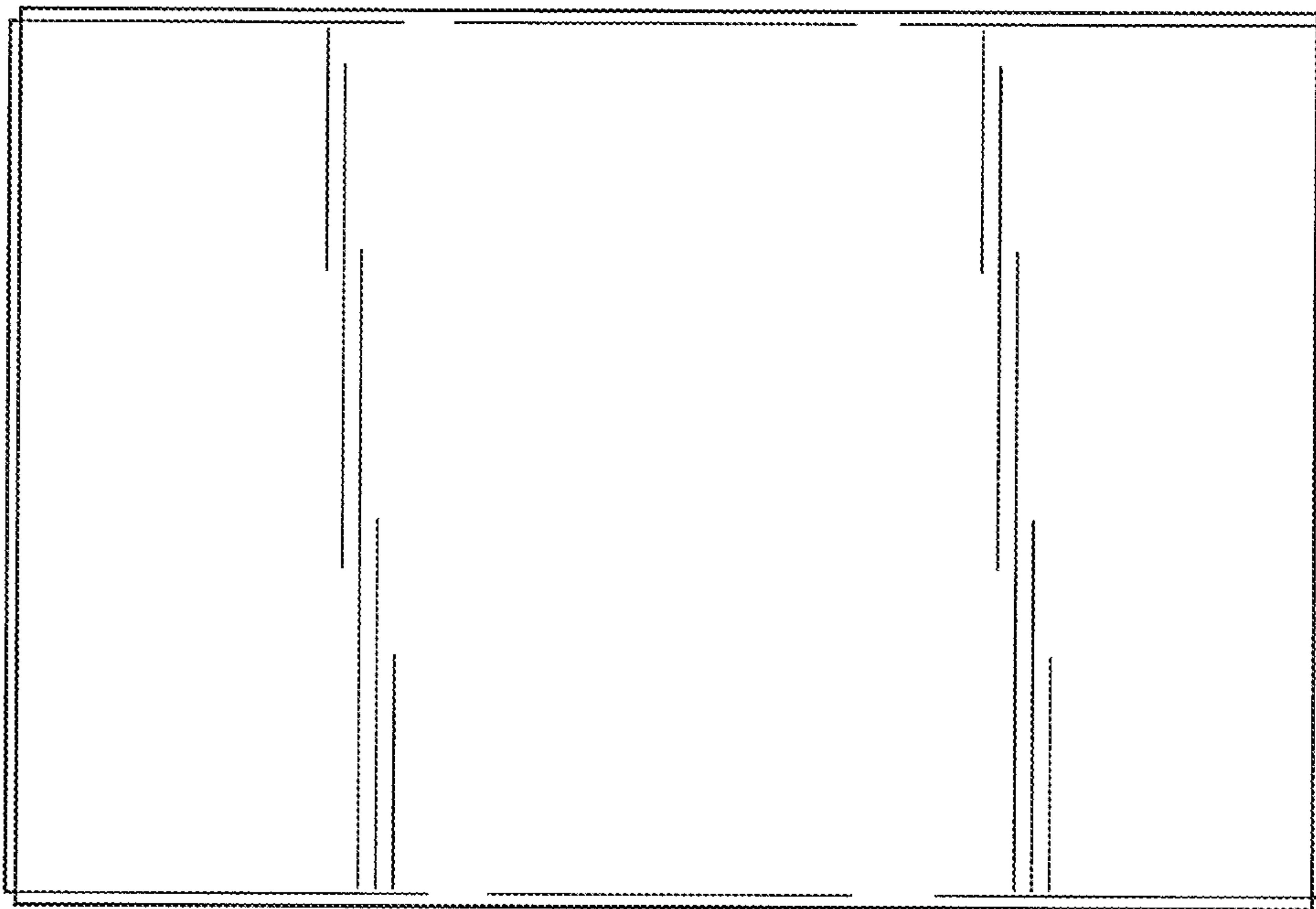


FIG. 7

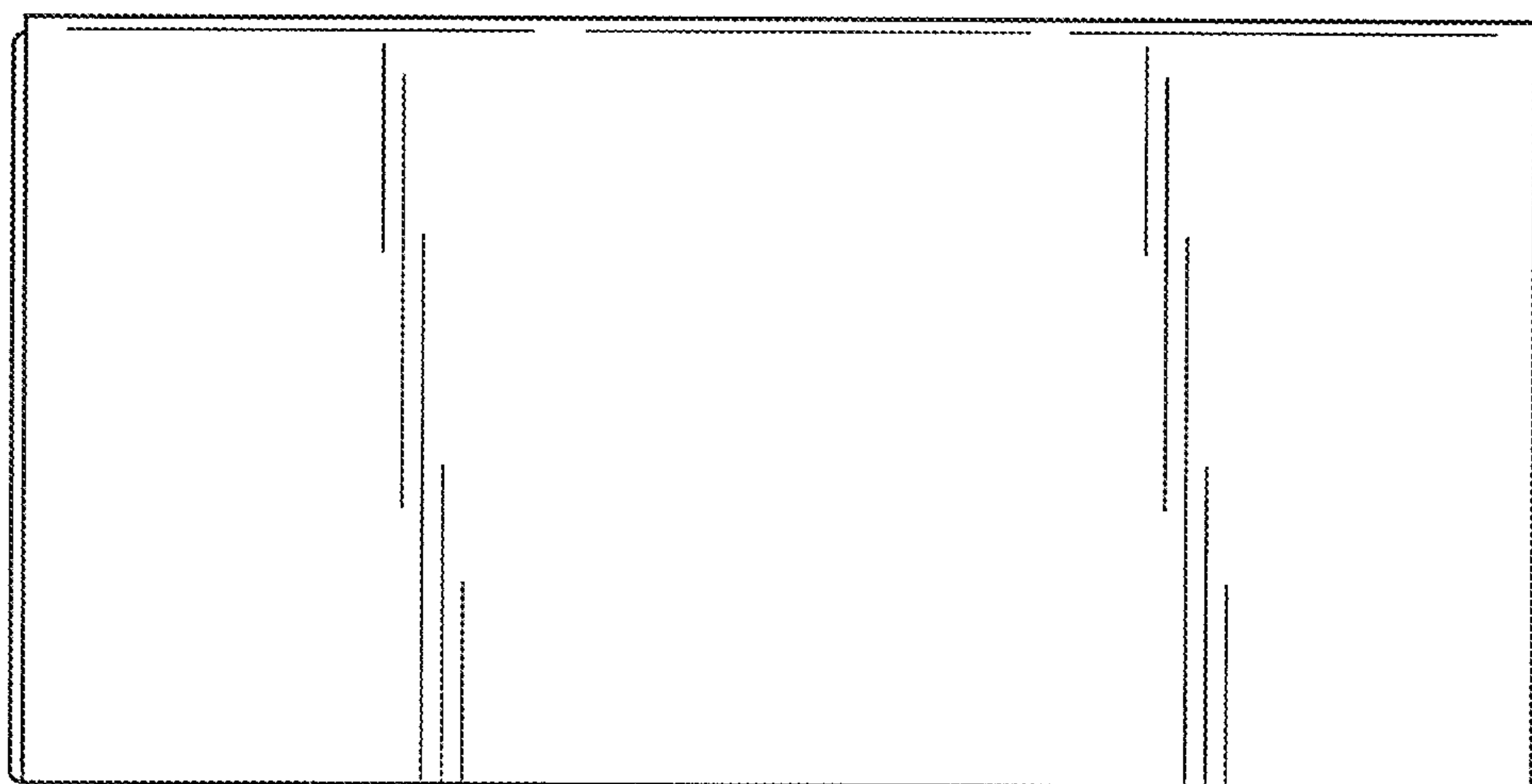


FIG. 8



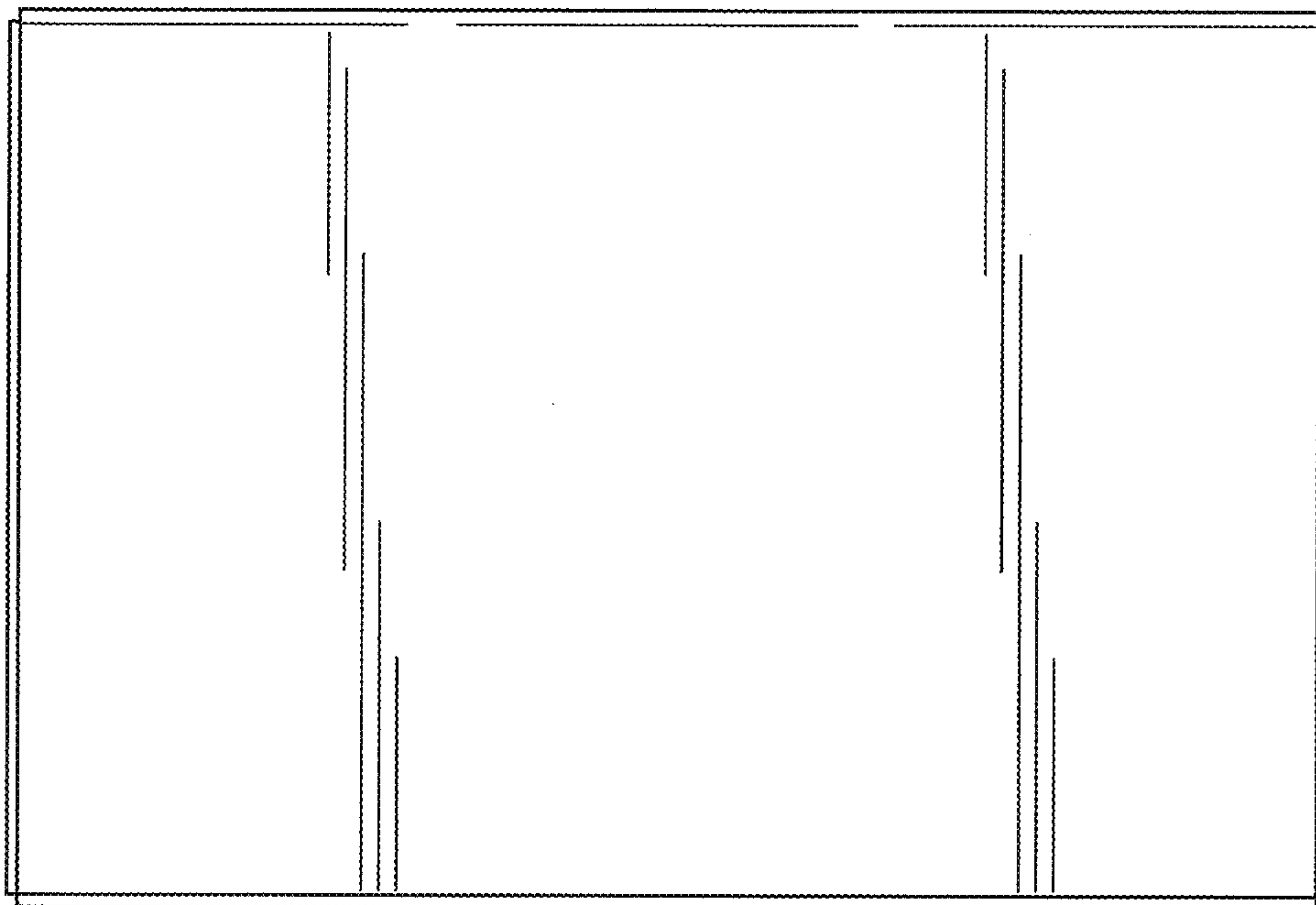


FIG. 9

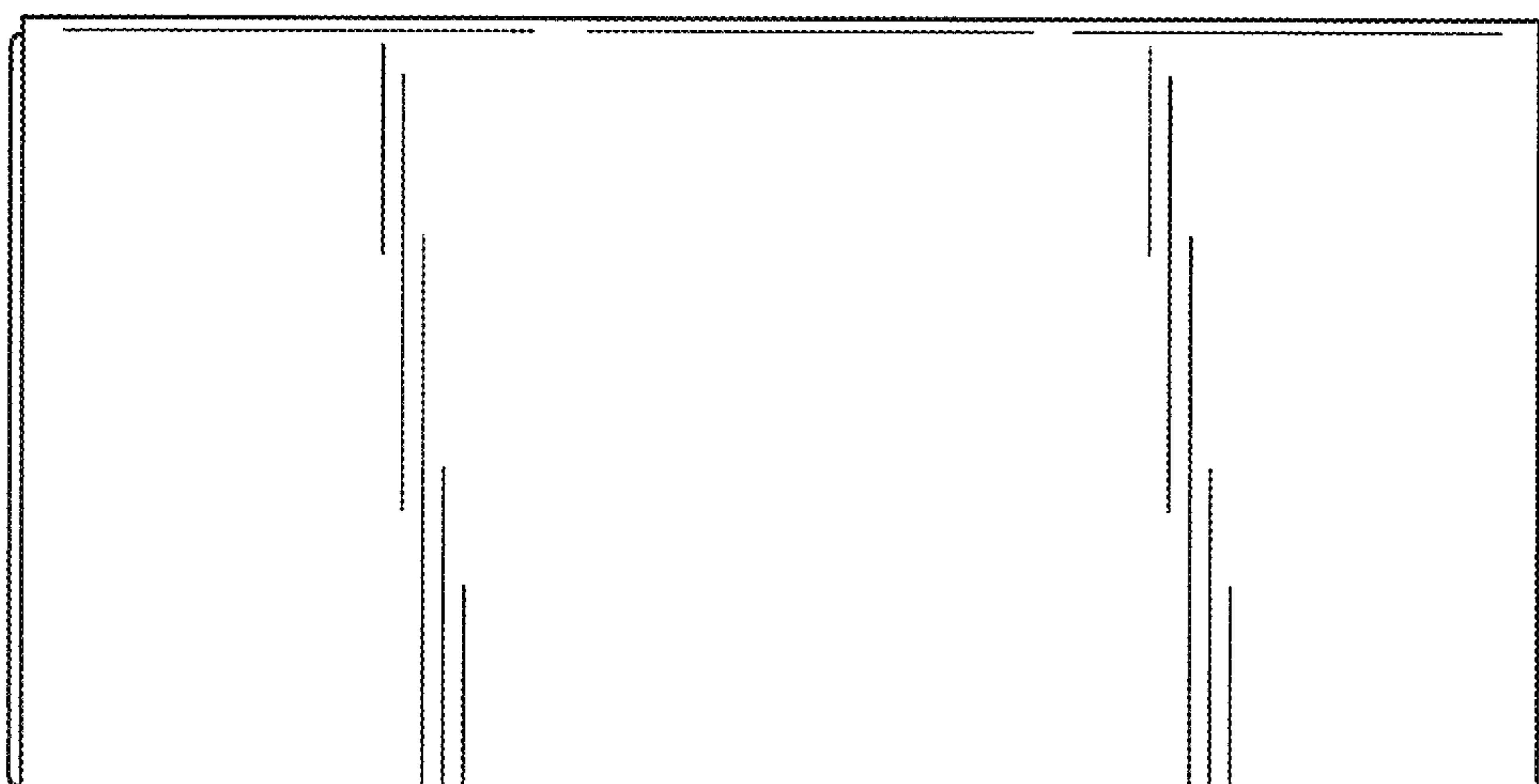


FIG. 10

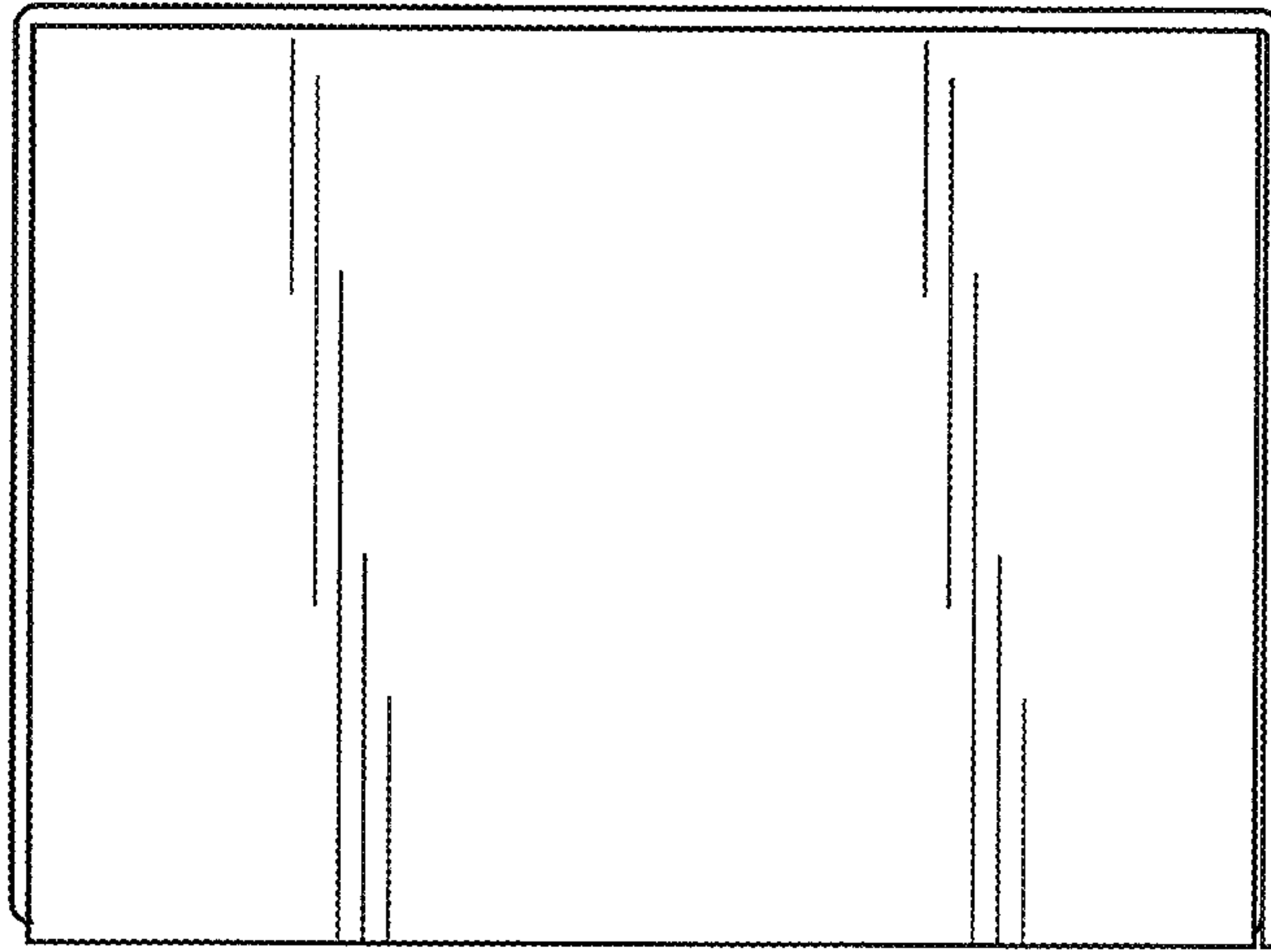


FIG. 11

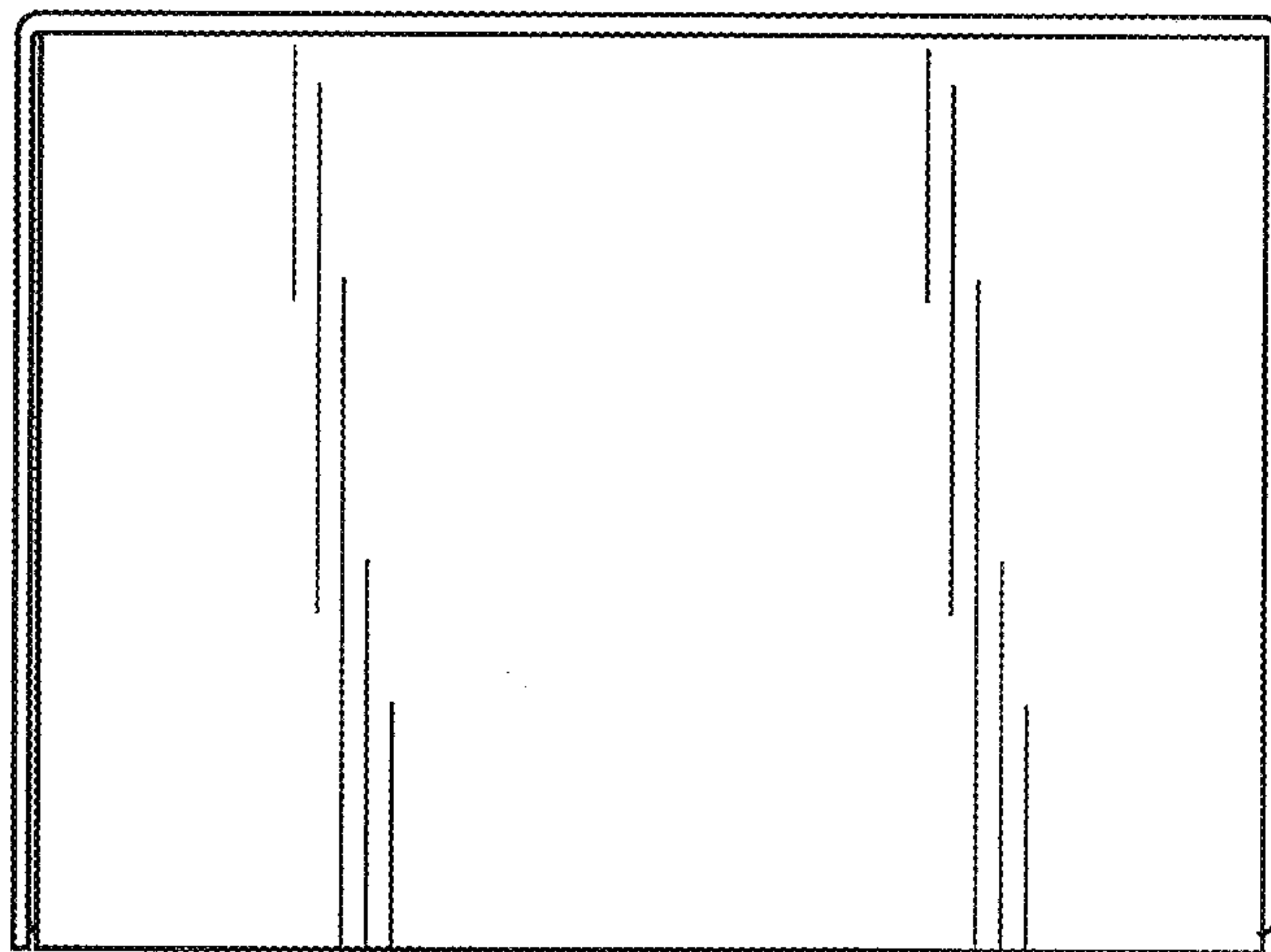


FIG. 12