



US00D874266S

(12) **United States Design Patent** (10) **Patent No.:** **US D874,266 S**
Perella et al. (45) **Date of Patent:** **** Feb. 4, 2020**

(54) **FOLDABLE BOX**
 (71) Applicant: **IdeaStream Consumer Products, LLC, Cleveland, OH (US)**
 (72) Inventors: **Daniel V. Perella, Cleveland, OH (US); Benjamin Hietanen, Cleveland, OH (US); Zhenghong Li, Shenzhen (CN); Jensen Tuen, Fanling (HK); Jinyuan Li, Shenzhen (CN)**

8,857,702 B2 * 10/2014 Hui B65D 5/241
 229/117.08
 D755,641 S * 5/2016 O'Neill B65D 5/5088
 D9/721
 RE46,563 E * 10/2017 Wong
 D815,343 S * 4/2018 Kesselman D27/187
 D828,156 S * 9/2018 Perella D9/432
 D829,096 S * 9/2018 Perella D9/433
 D829,097 S * 9/2018 Perella D9/433
 D829,569 S * 10/2018 O'Neill D9/759
 D833,867 S * 11/2018 Perella D9/432

(Continued)

(73) Assignee: **IdeaStream Consumer Products, LLC, Cleveland, OH (US)**

Primary Examiner — Holly E Thurman
 (74) *Attorney, Agent, or Firm* — Fay Sharpe LLP

(**) Term: **15 Years**

(21) Appl. No.: **29/631,416**

(22) Filed: **Dec. 29, 2017**

(51) **LOC (12) Cl.** **09-03**

(52) **U.S. Cl.**
USPC **D9/432; D9/433; D3/299**

(58) **Field of Classification Search**
 USPC D3/273, 274, 275, 276, 281, 284, 292,
 D3/294, 295, 296, 297, 299, 905, 901,
 D3/903, 205, 203.1, 279, 282, 242, 301,
 D3/302; D9/414, 418, 420-423, 425,
 D9/428, 432, 433
 CPC .. A45C 5/00; A45C 5/04; A45C 11/00; A45C
 11/16

See application file for complete search history.

(56) **References Cited**

U.S. PATENT DOCUMENTS

1,053,836 A * 2/1913 Leiman B65D 5/3642
 229/117.07
 1,694,126 A * 12/1928 Joslin B65D 5/3657
 493/128
 7,681,782 B2 * 3/2010 Bondarik B65D 5/36
 229/117.07
 8,573,471 B2 * 11/2013 Wong B65D 5/241
 229/117.08

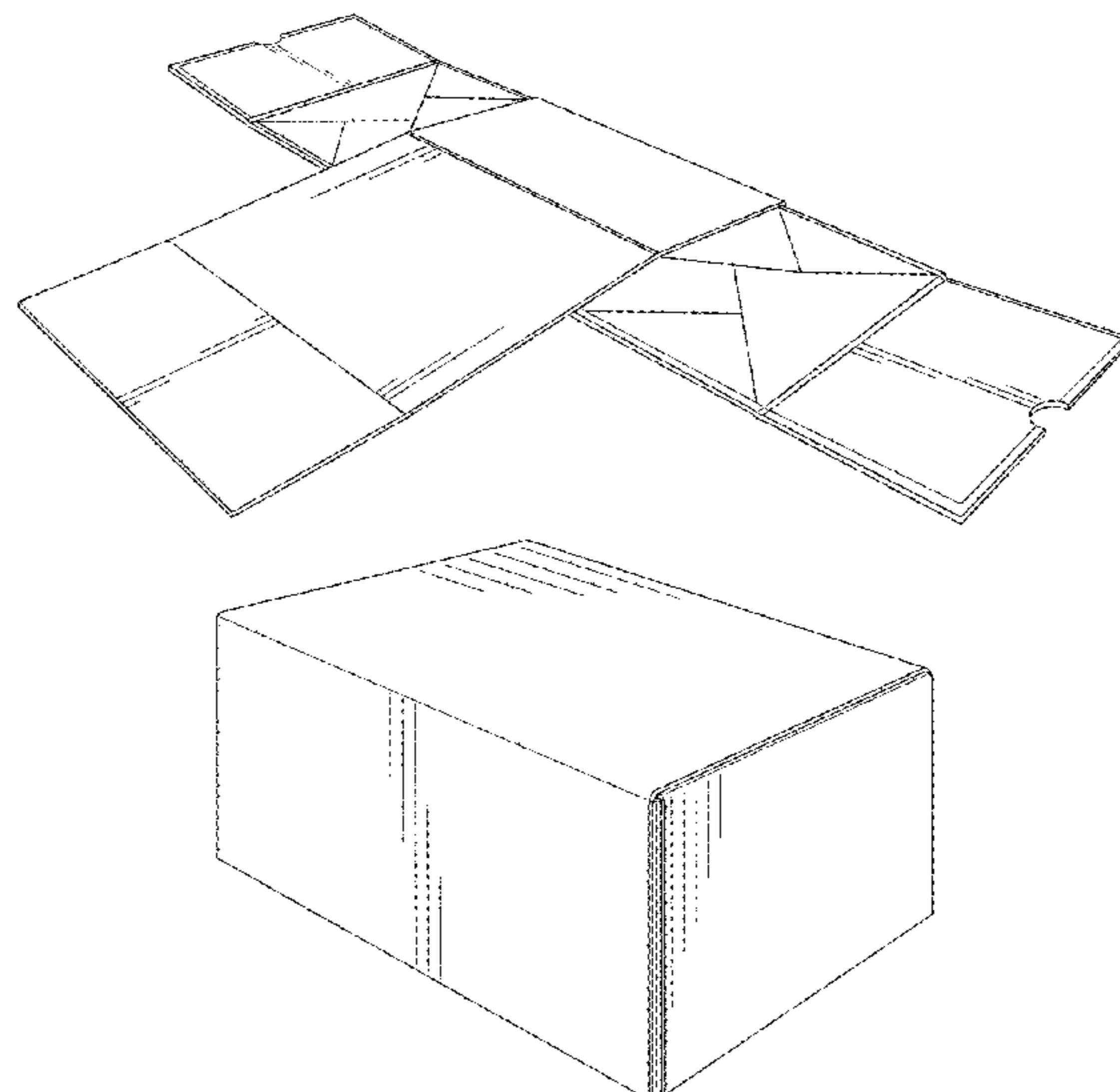
(57) **CLAIM**

The ornamental design for a foldable box, as shown and described.

DESCRIPTION

FIG. 1 is a front perspective view of the foldable box according to our new design, shown in a folded and unassembled configuration;
 FIG. 2 is a front perspective view thereof, shown in a partially unfolded and unassembled configuration;
 FIG. 3 is a front perspective view thereof, shown in an unfolded and unassembled configuration;
 FIG. 4 is a front perspective view thereof, in a partially folded and assembled configuration;
 FIG. 5 is a front perspective view thereof, shown in a folded and assembled configuration;
 FIG. 6 is a front perspective view thereof, shown with the lid in a closed configuration;
 FIG. 7 is a top plan view thereof;
 FIG. 8 is a front elevation view thereof;
 FIG. 9 is a bottom plan view thereof;
 FIG. 10 is a back elevation view thereof;
 FIG. 11 is a side elevation view thereof; and,
 FIG. 12 is an opposite side elevation view thereof.

1 Claim, 8 Drawing Sheets



(56)

References Cited

U.S. PATENT DOCUMENTS

D850,908 S * 6/2019 Perella D9/432
D858,274 S * 9/2019 Perella D9/432
2013/0161377 A1* 6/2013 Nebeker B65D 5/322
229/116.5
2013/0161378 A1* 6/2013 Nebeker B65D 31/16
229/116.5
2018/0127140 A1* 5/2018 Perella B65D 5/3642

* cited by examiner

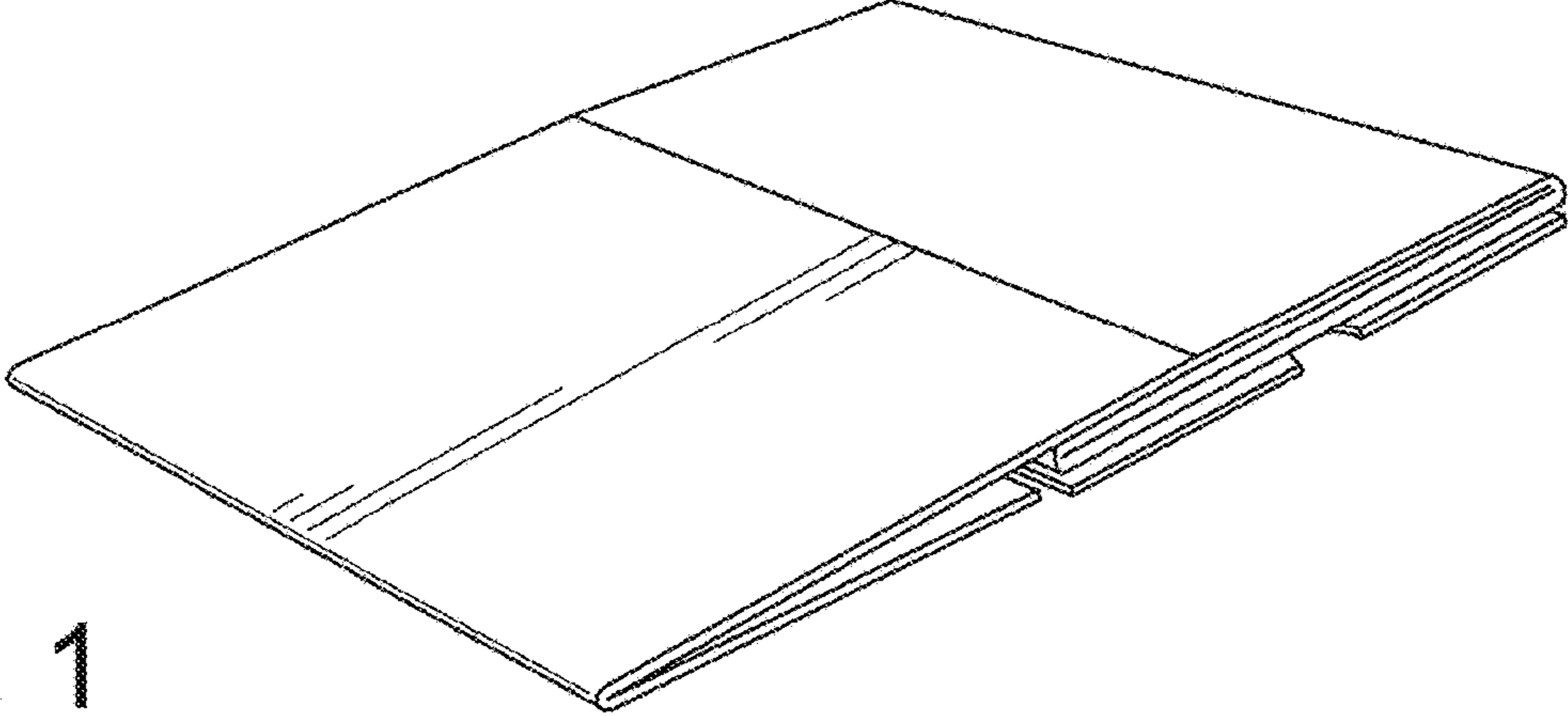


FIG. 1

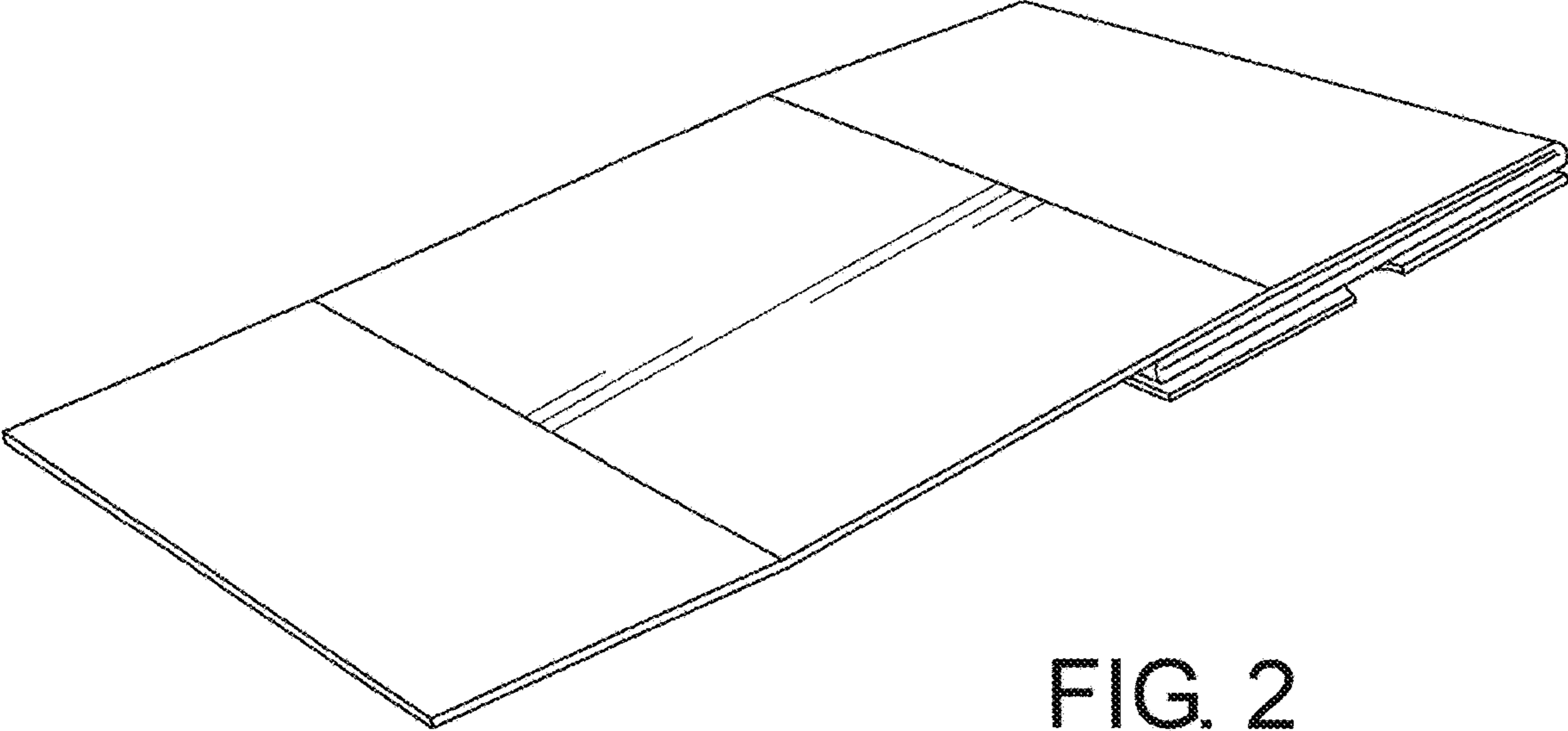


FIG. 2

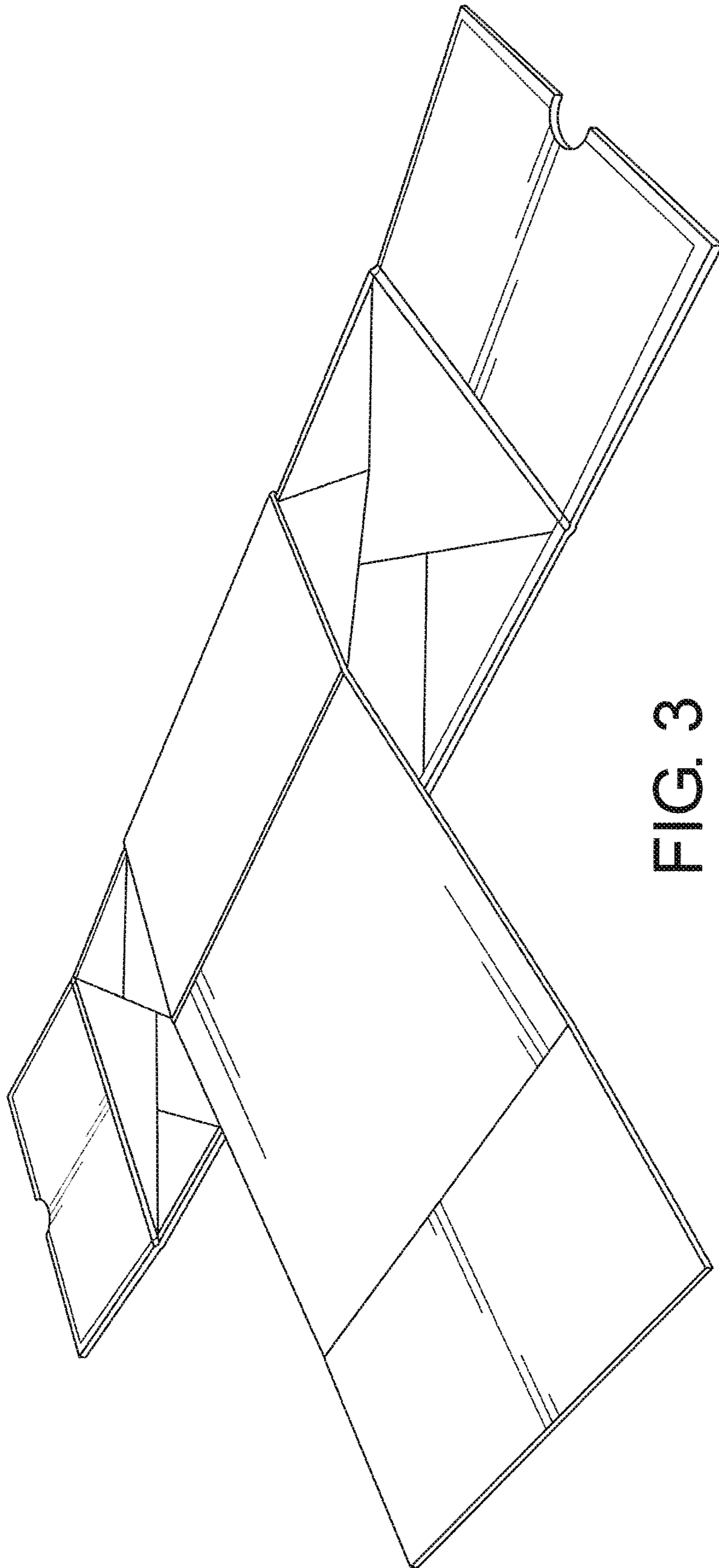


FIG. 3

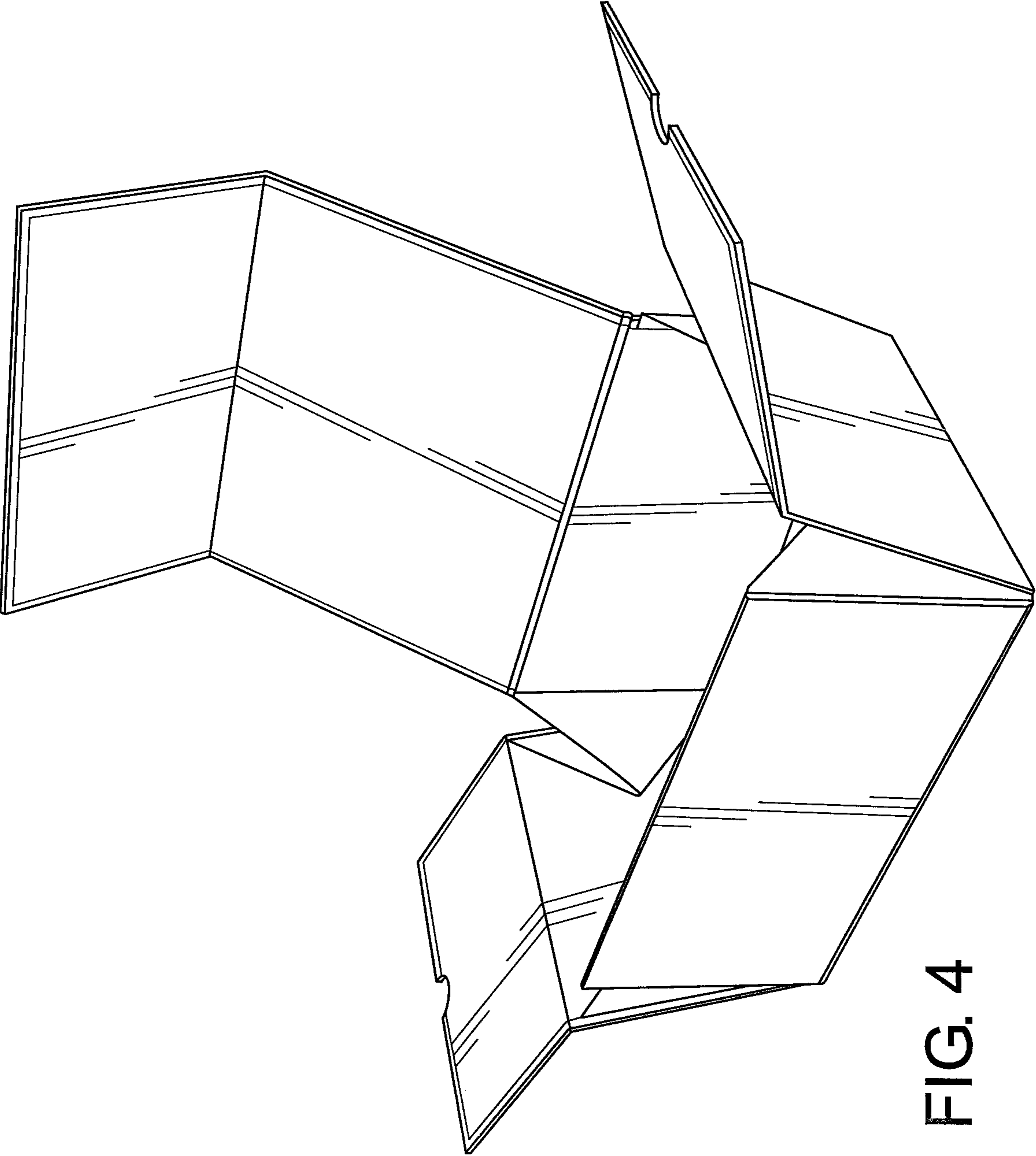


FIG. 4

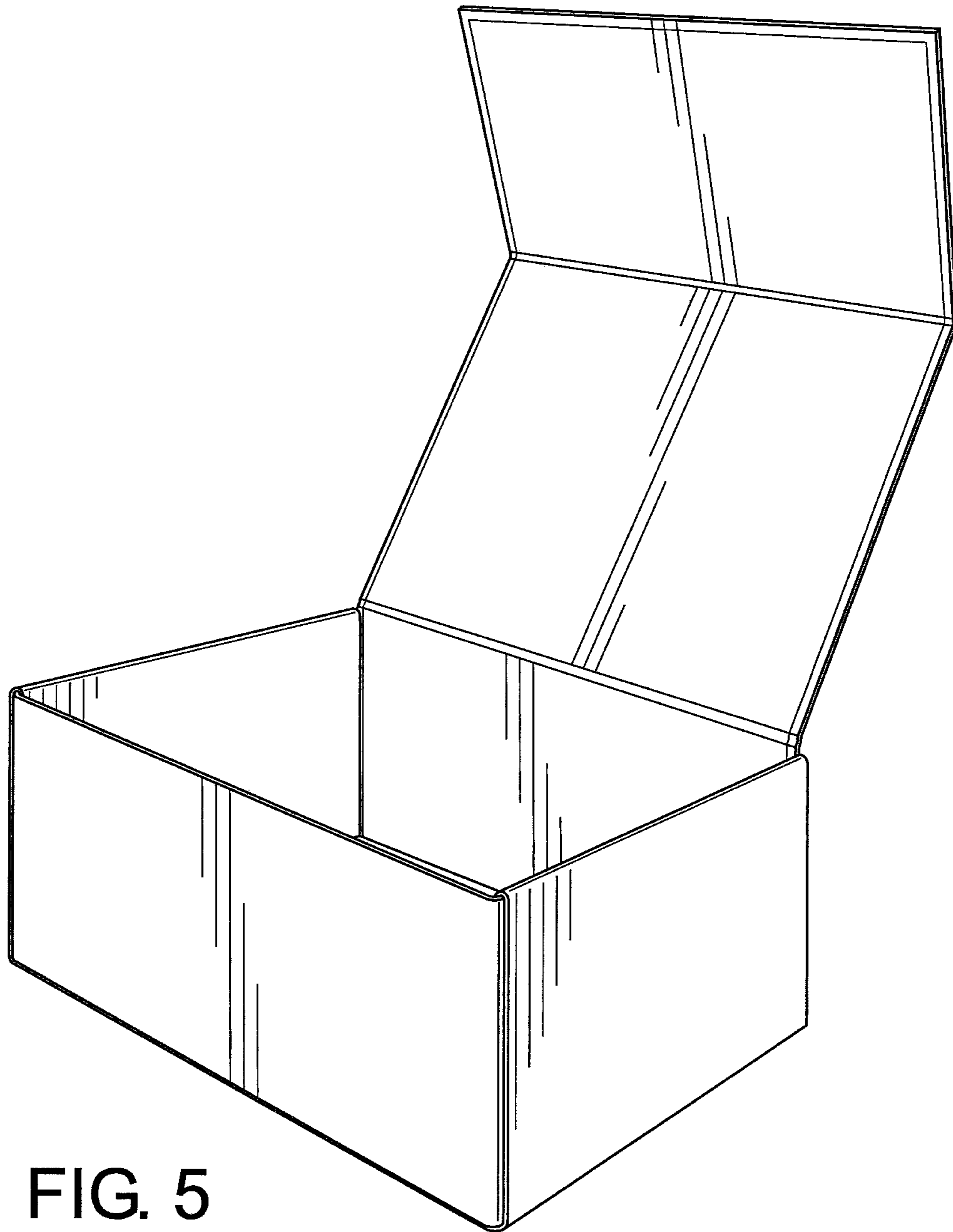


FIG. 5

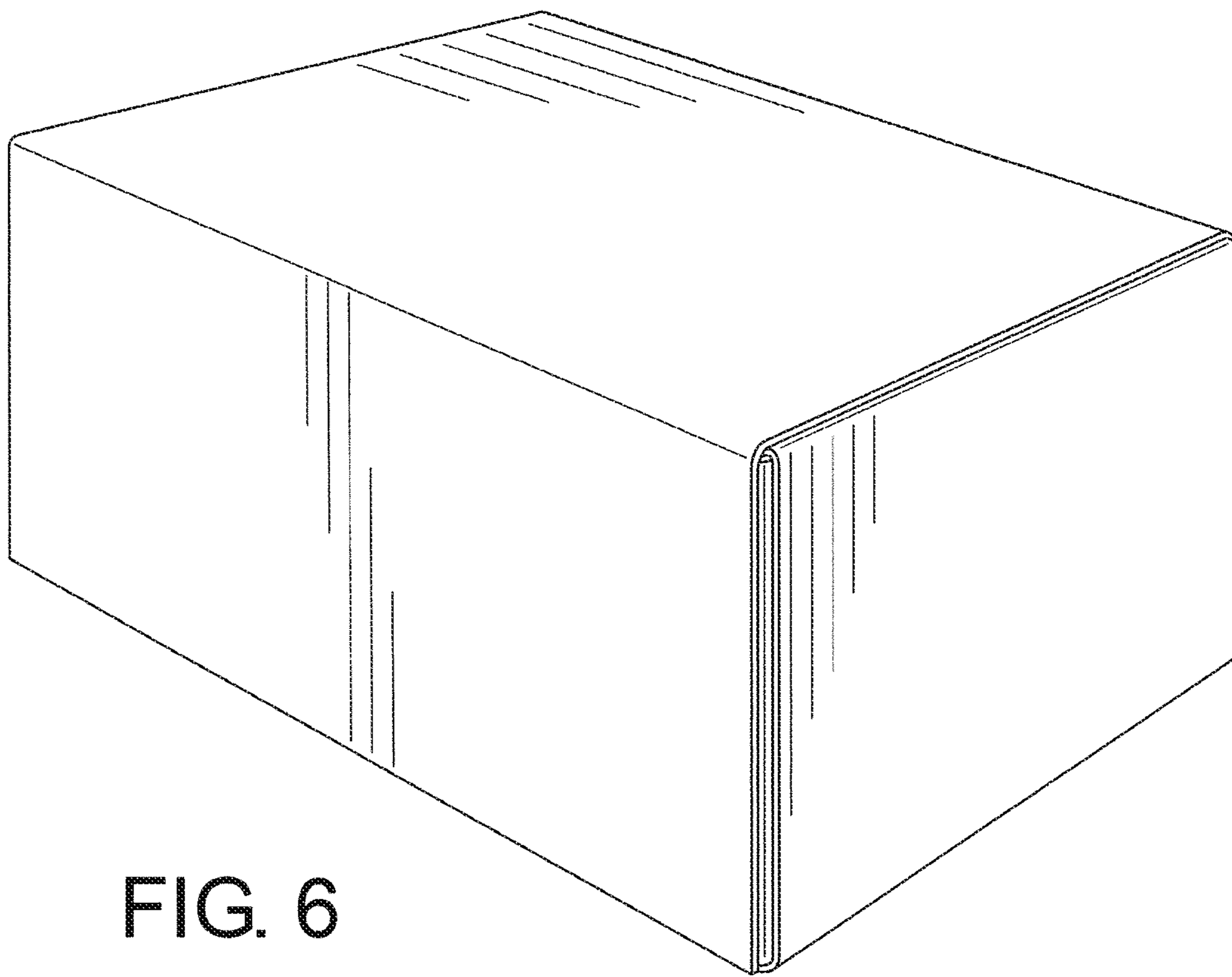


FIG. 6

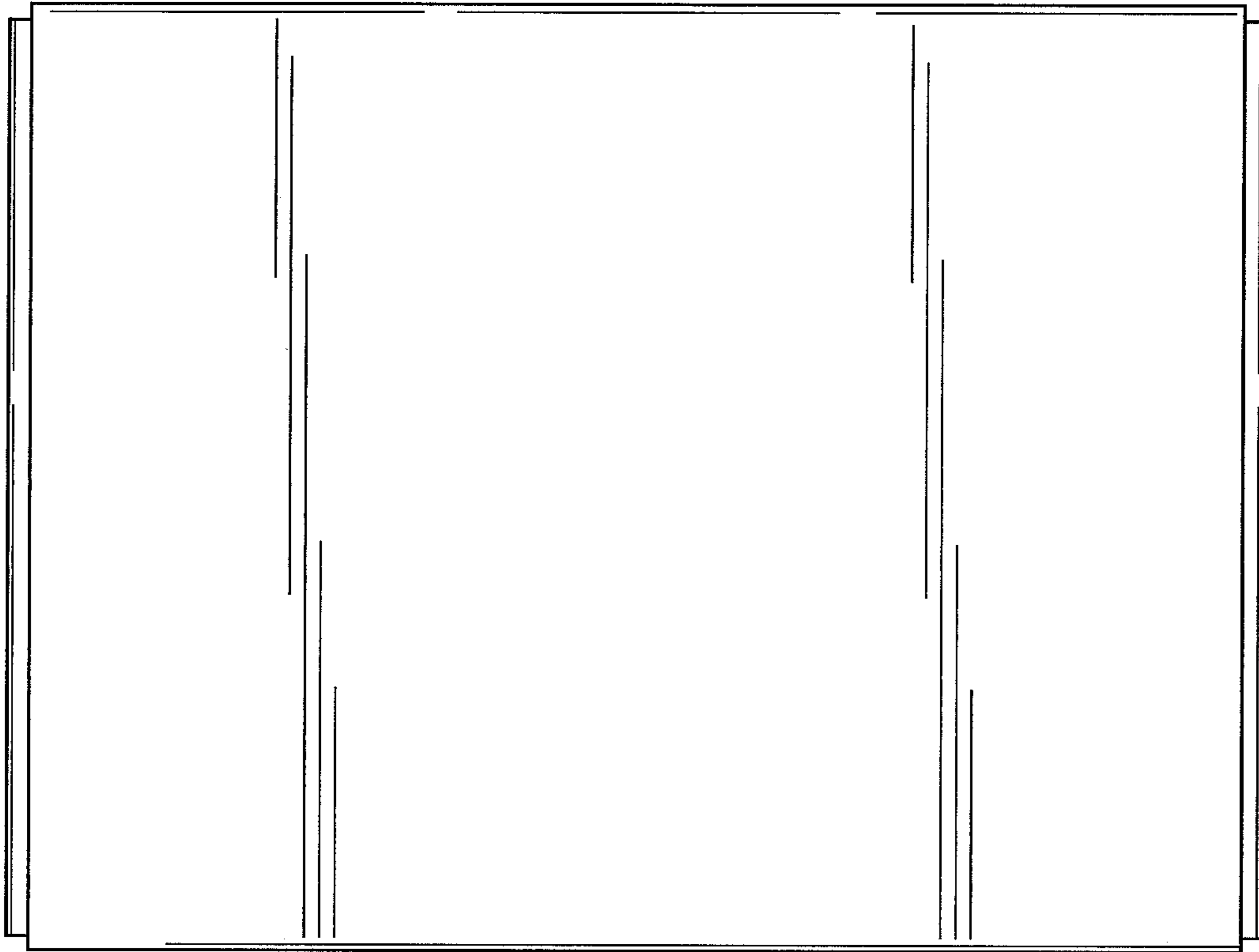


FIG. 7

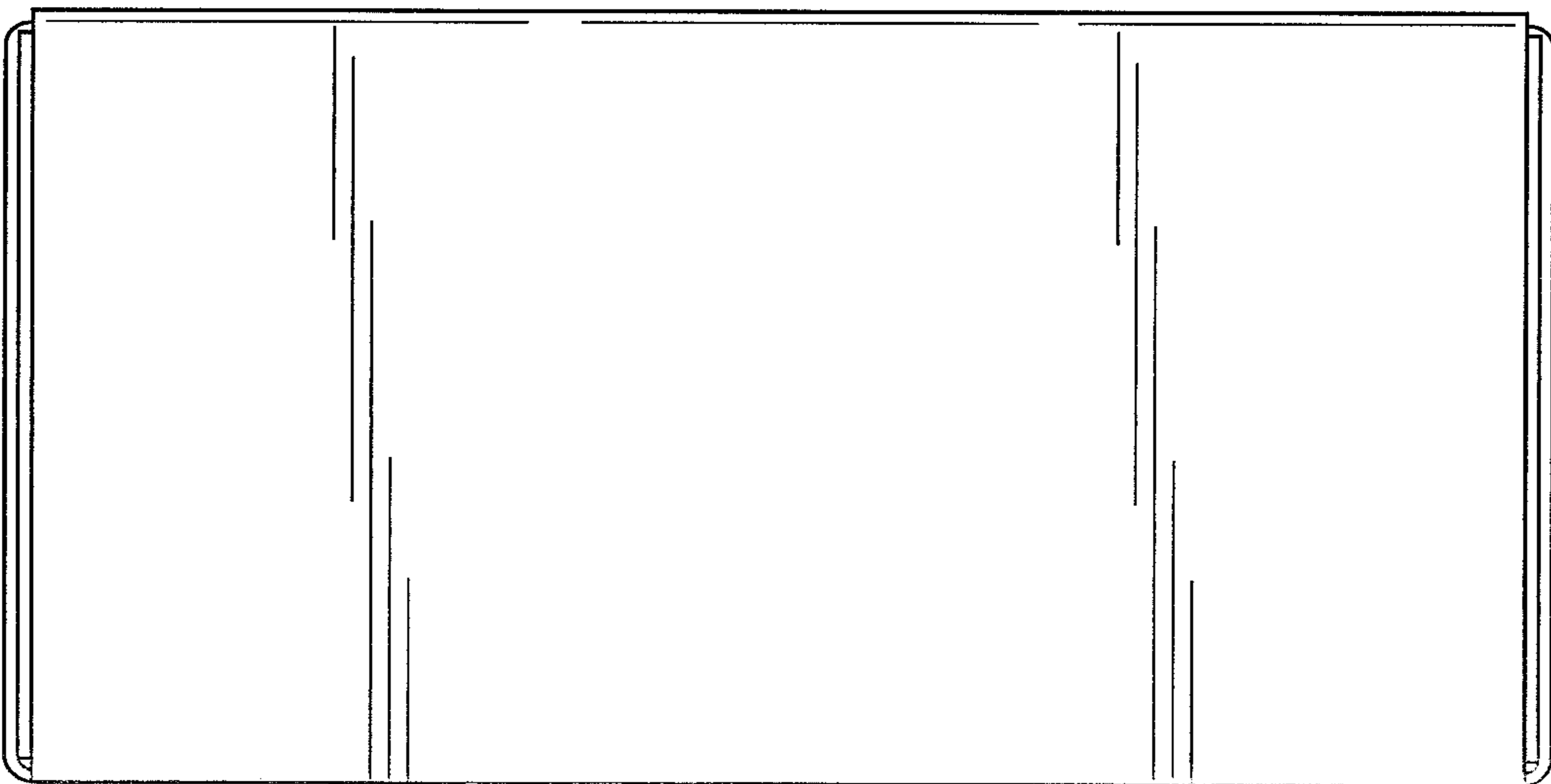


FIG. 8

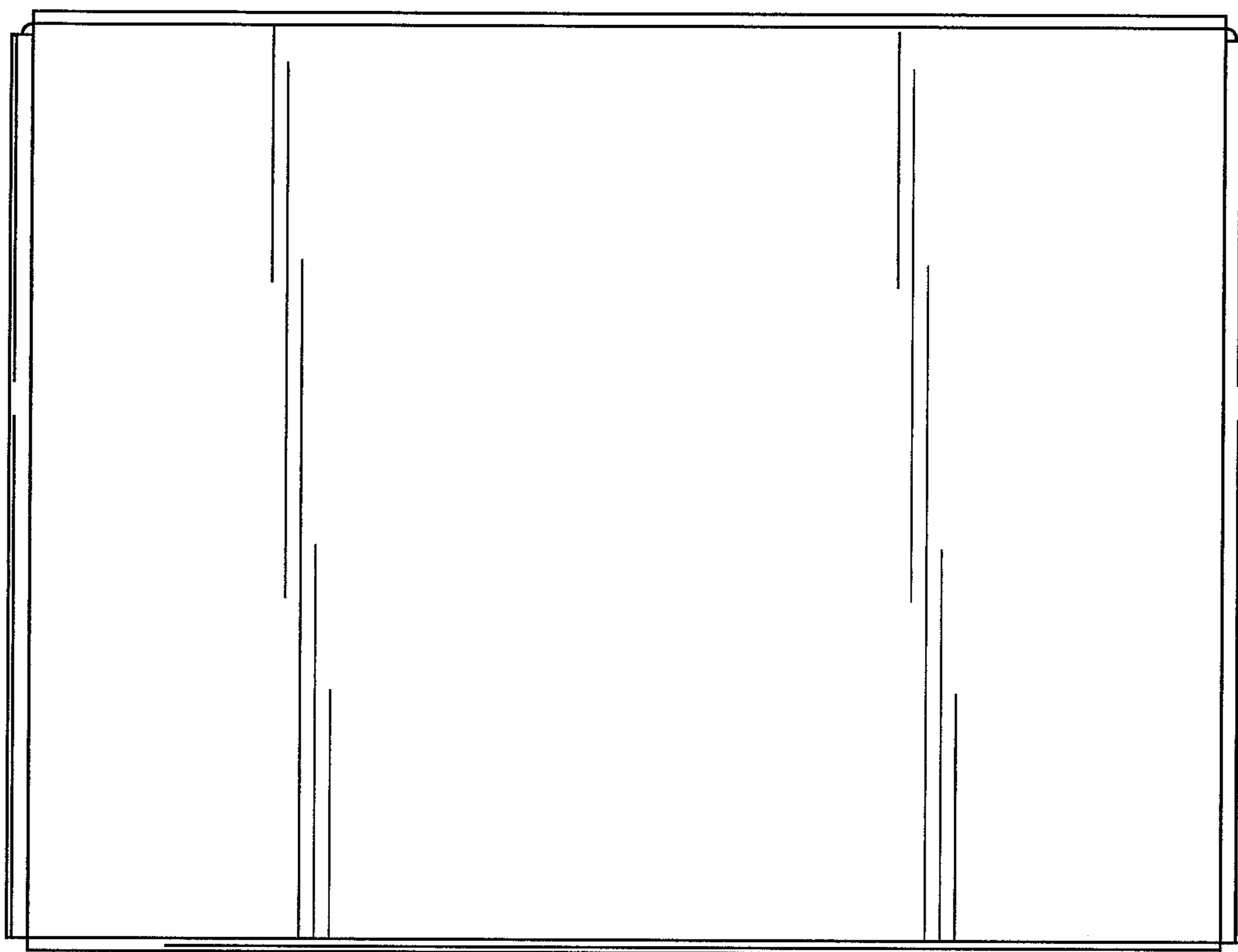


FIG. 9

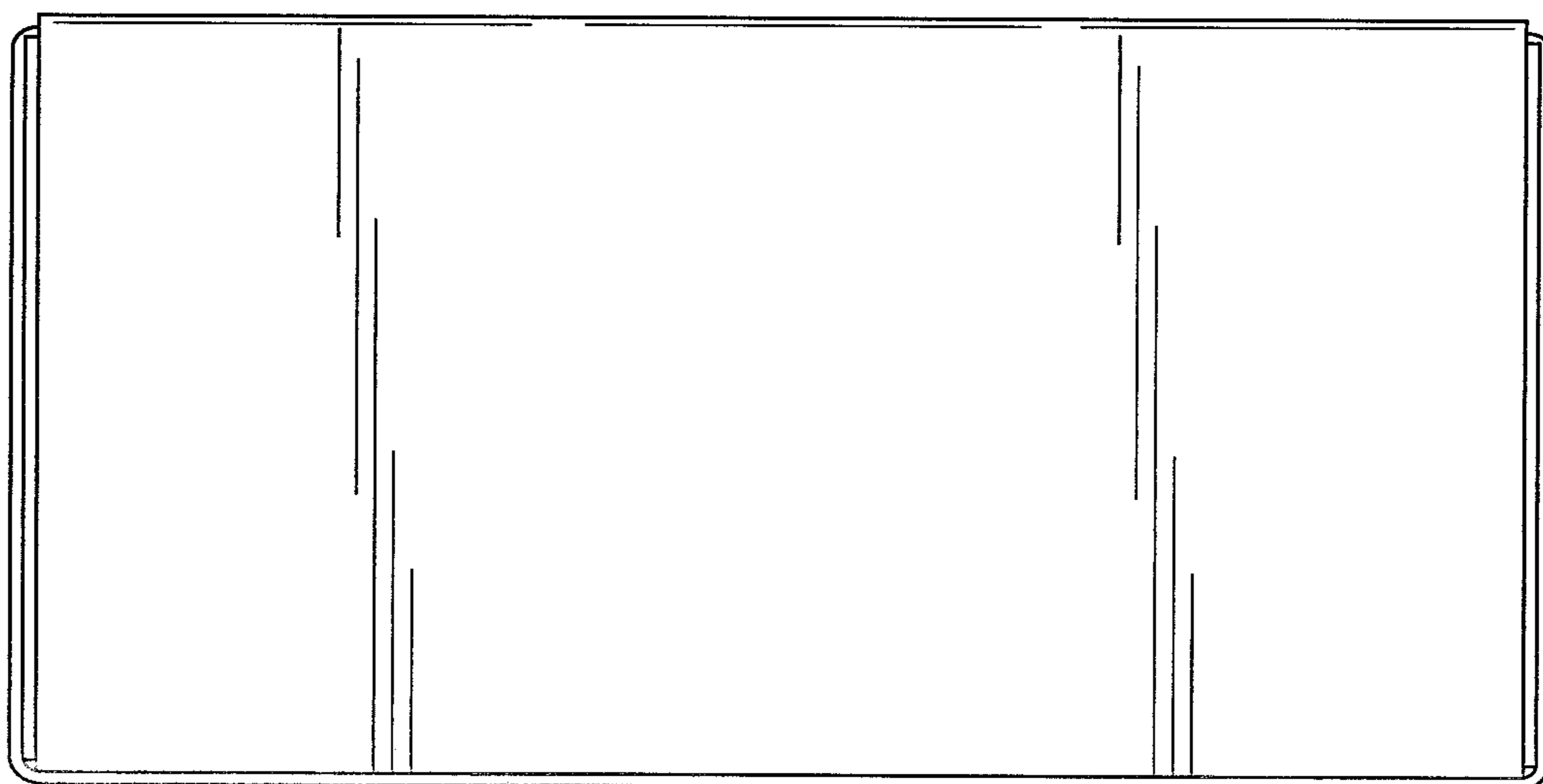


FIG. 10

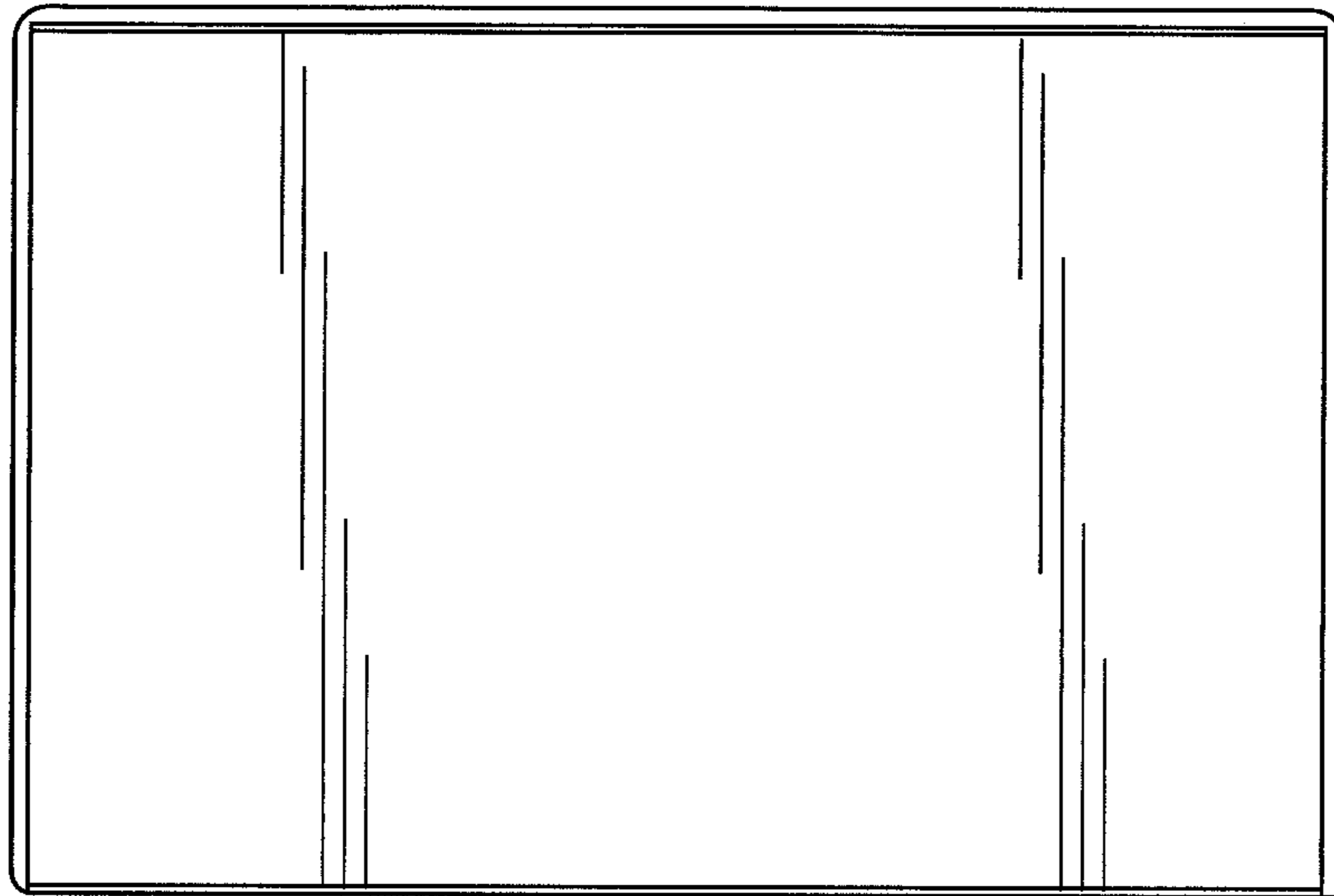


FIG. 11

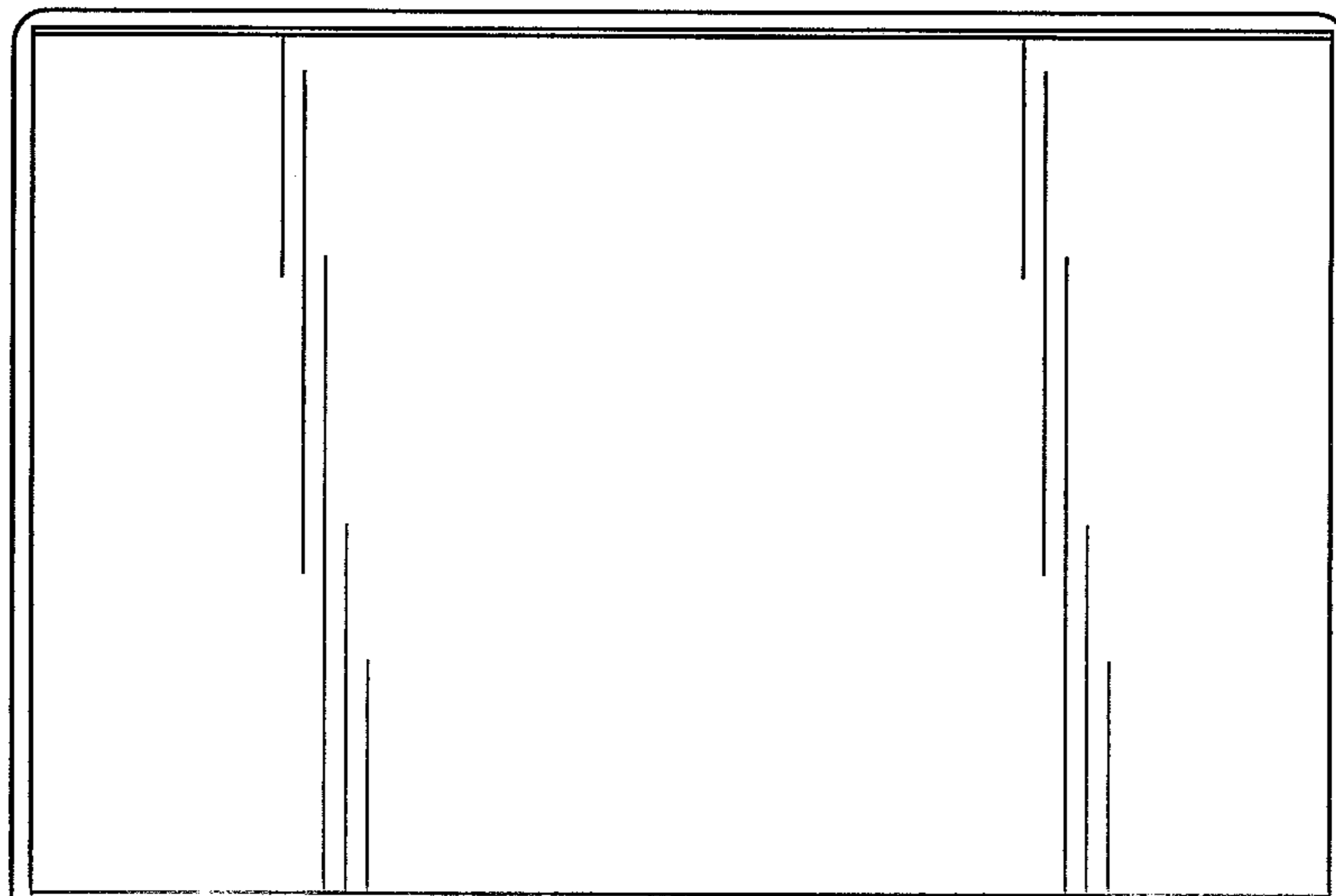


FIG. 12