



US00D874263S

(12) **United States Design Patent**
Wouters

(10) **Patent No.:** **US D874,263 S**
(45) **Date of Patent:** **** Feb. 4, 2020**

(54) **TRAY FOR FOOD**
(71) Applicant: **Gate Gourmet Switzerland GmbH,**
Glattbrugg (CH)
(72) Inventor: **Luc Wouters,** Olen (BE)
(**) Term: **15 Years**
(21) Appl. No.: **29/640,120**
(22) Filed: **Mar. 12, 2018**

(30) **Foreign Application Priority Data**

Sep. 13, 2017 (EM) 04349686-0002

(51) **LOC (12) Cl.** **09-03**

(52) **U.S. Cl.**
USPC **D9/426; D9/432**

(58) **Field of Classification Search**
USPC D7/601-602; D9/414-434, 737, 761
See application file for complete search history.

(56) **References Cited**

U.S. PATENT DOCUMENTS

D277,167 S * 1/1985 Dart D9/414
4,576,330 A * 3/1986 Schepp B65D 43/162
D9/423
D601,013 S * 9/2009 Petitjean D9/426
D601,014 S * 9/2009 Petitjean D9/426
7,597,206 B2 * 10/2009 Atkins B65D 43/162
220/324
D657,237 S * 4/2012 Allers D9/423
D683,623 S * 6/2013 Chen D9/423
D688,551 S * 8/2013 Wahl B65D 43/162
D9/426

D749,412 S * 2/2016 Hu D9/426
9,278,787 B2 * 3/2016 Garg B65D 43/162
D793,225 S * 8/2017 Hu D9/423
D793,811 S * 8/2017 Ng B65D 43/162
D7/540
D805,857 S * 12/2017 Mei D7/629
2005/0035118 A1 * 2/2005 Garg B65D 43/162
220/4.23
2010/0072217 A1 * 3/2010 Parikh B65D 43/16
220/833
2010/0102074 A1 * 4/2010 Parikh B65D 43/164
220/810

* cited by examiner

Primary Examiner — Sandra L Morris

(74) *Attorney, Agent, or Firm* — Woodard, Emhardt,
Henry, Reeves & Wagner LLP

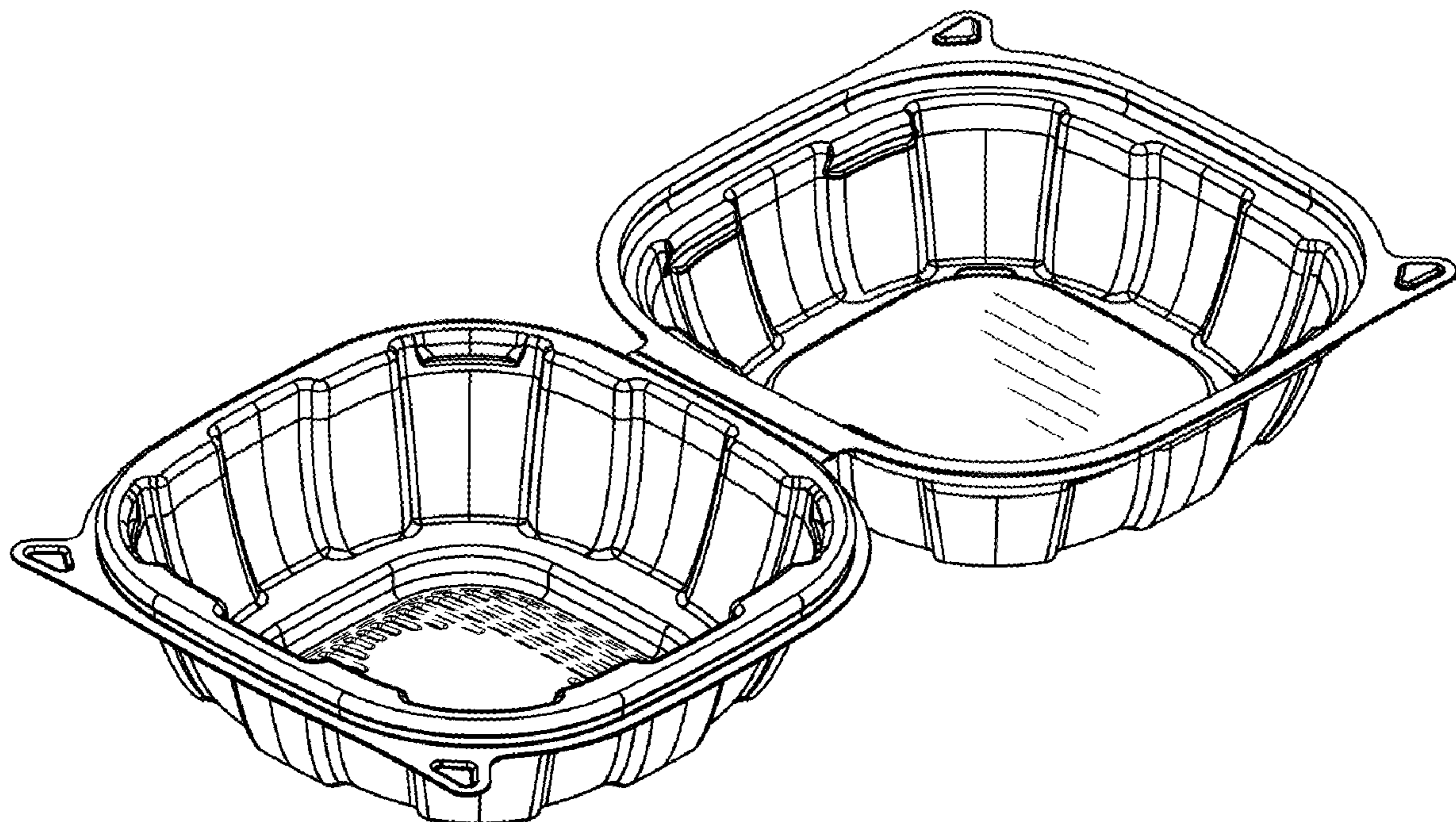
(57) **CLAIM**

The ornamental design for a tray for food, as shown and described.

DESCRIPTION

FIG. 1 is a perspective view of a tray for food, showing my new design;
FIG. 2 is a perspective view thereof, shown in a closed position;
FIG. 3 is a top view thereof;
FIG. 4 is a bottom view thereof;
FIG. 5 is a right side view thereof, the other side being a mirror image thereof;
FIG. 6 is a rear view thereof; and,
FIG. 7 is a front view thereof.
The broken lines in FIGS. 1, 3 and 4 are included for the purpose of illustrating a portion of the bottom that forms no part of the claimed design.

1 Claim, 6 Drawing Sheets



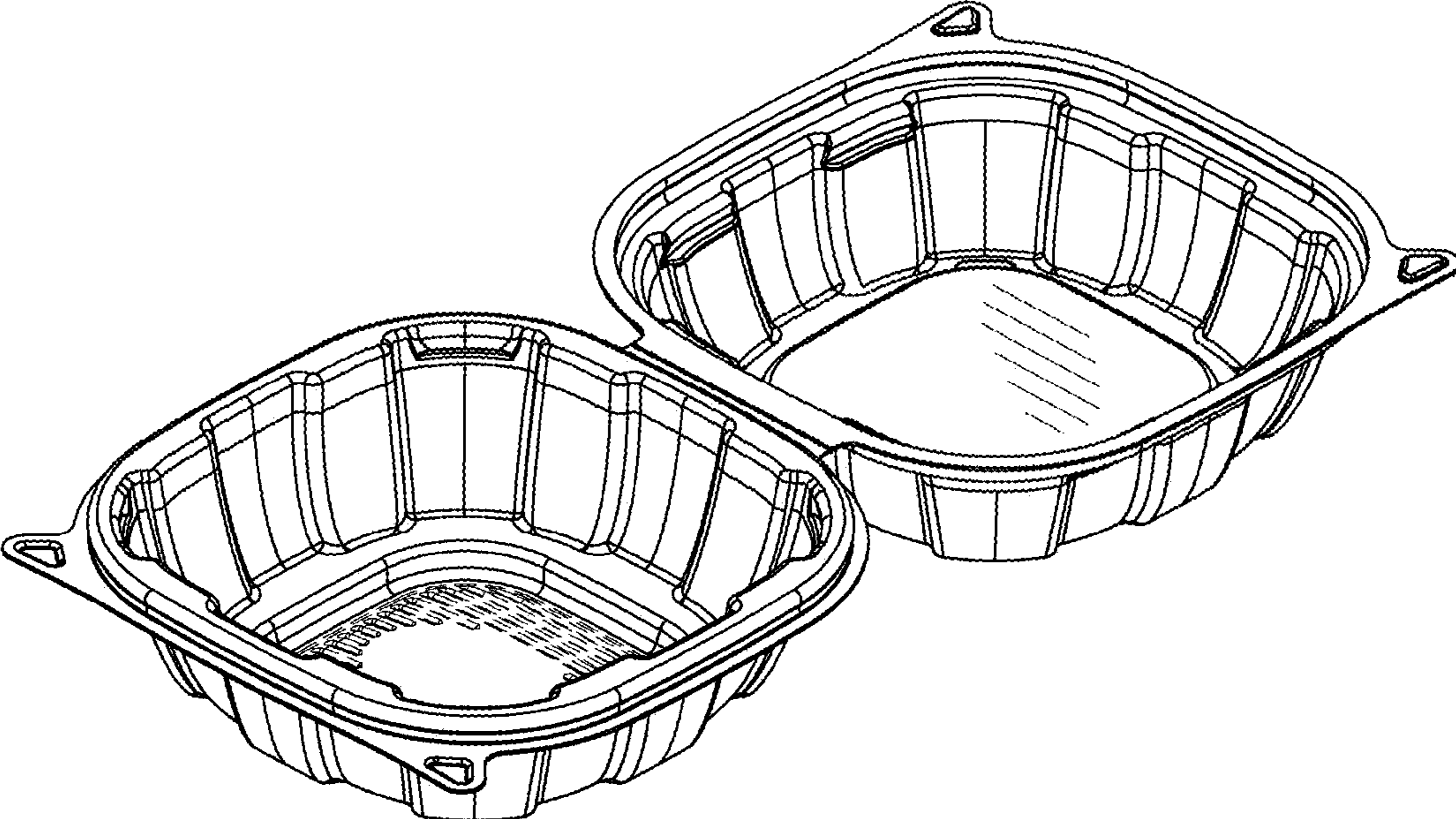


FIG 1

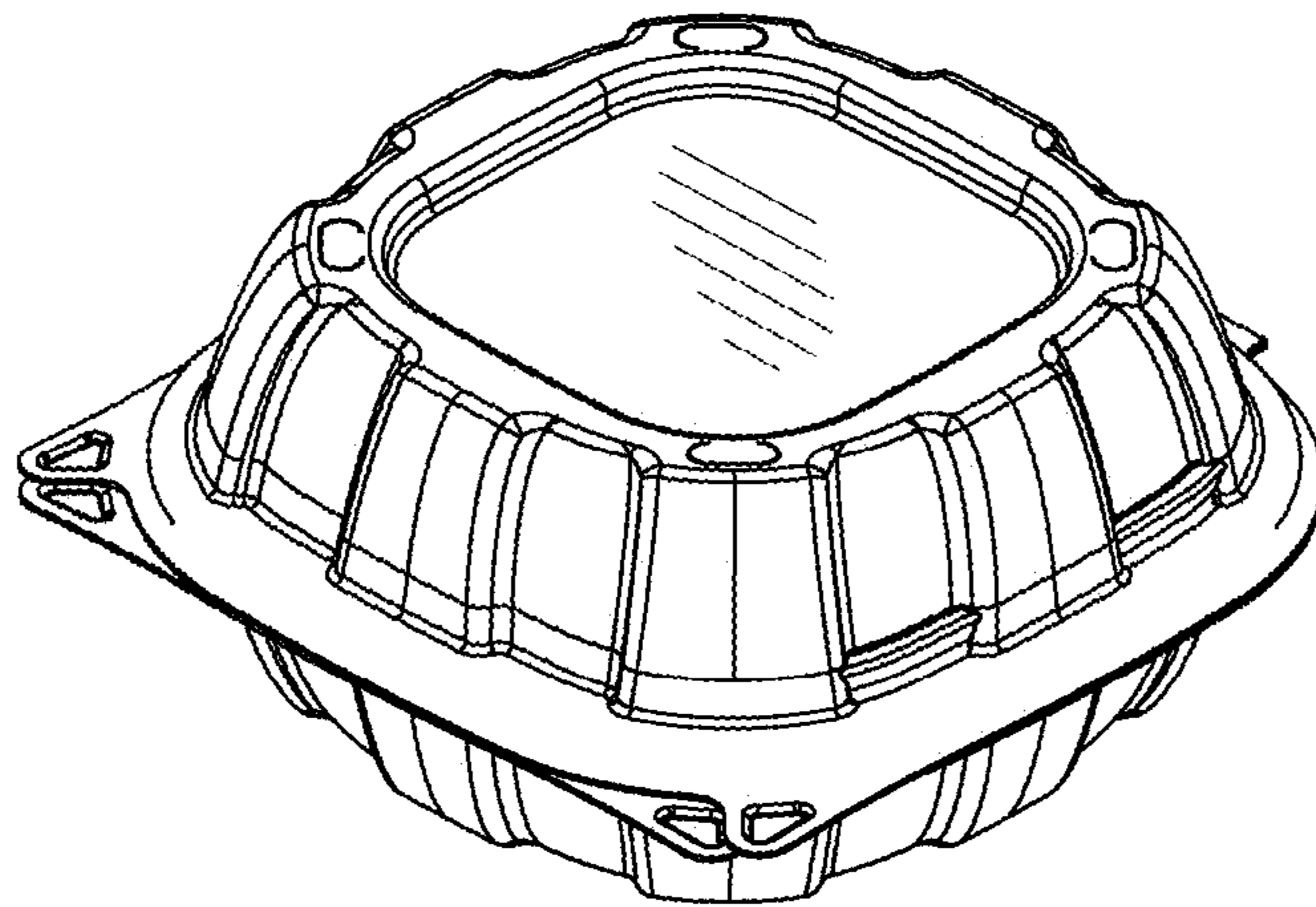


FIG 2

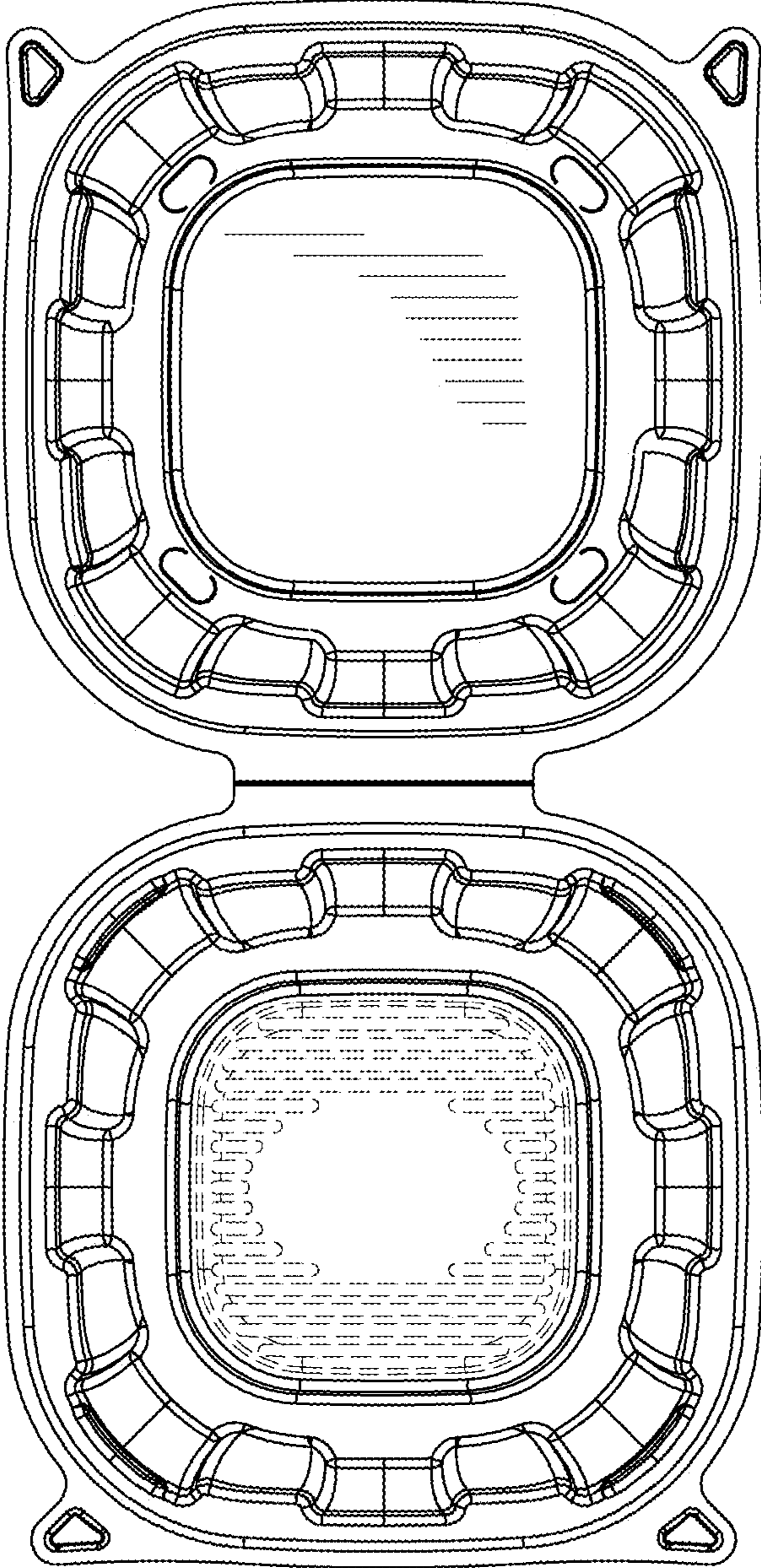


FIG 3

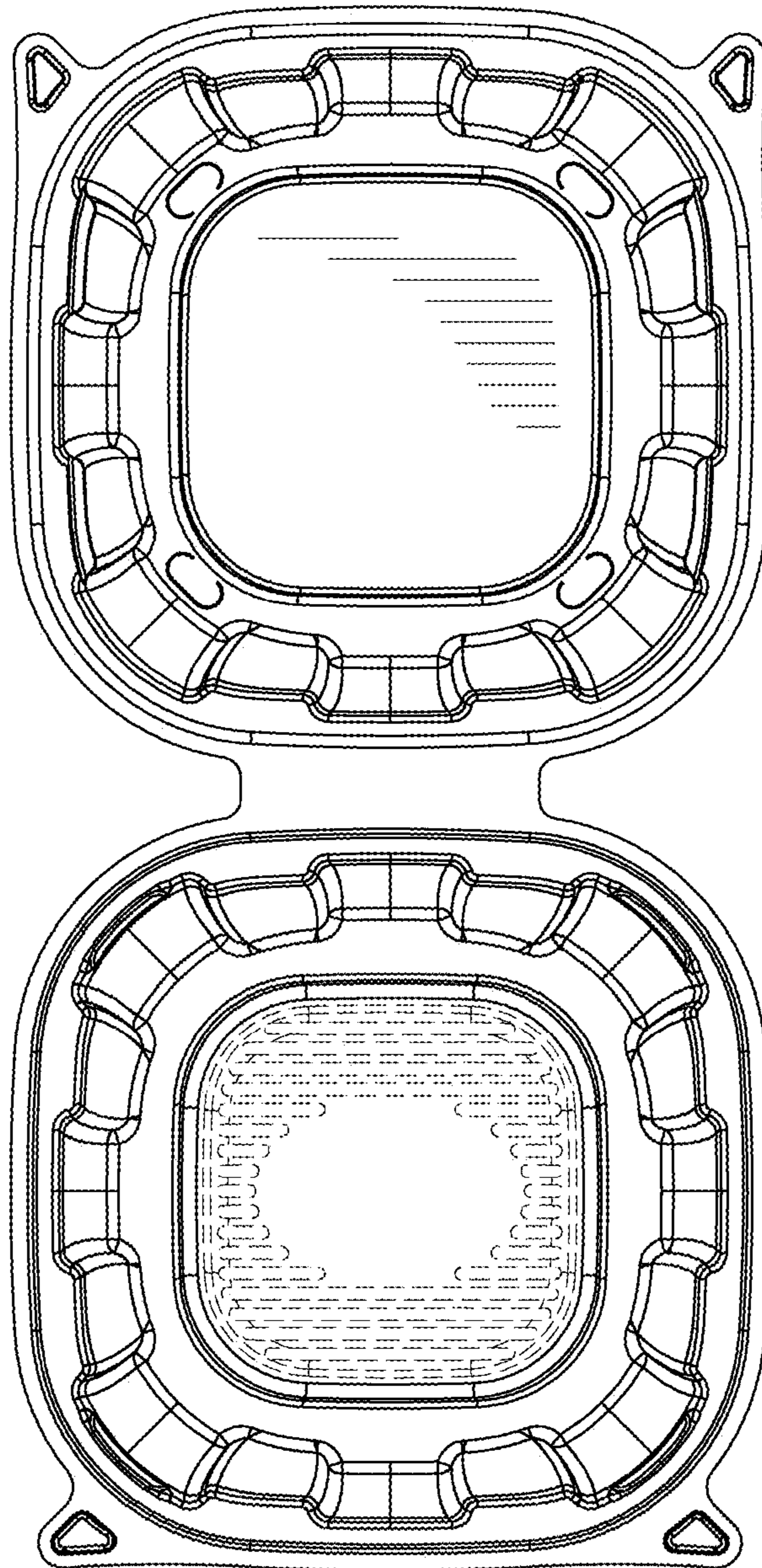


FIG 4

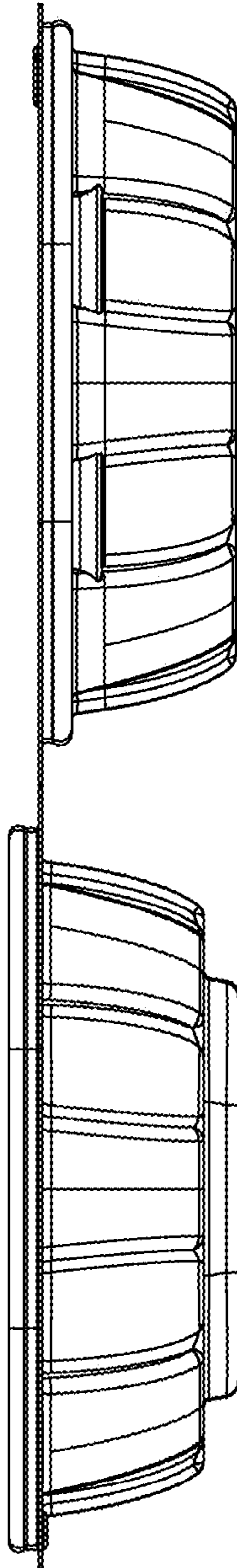


FIG 5

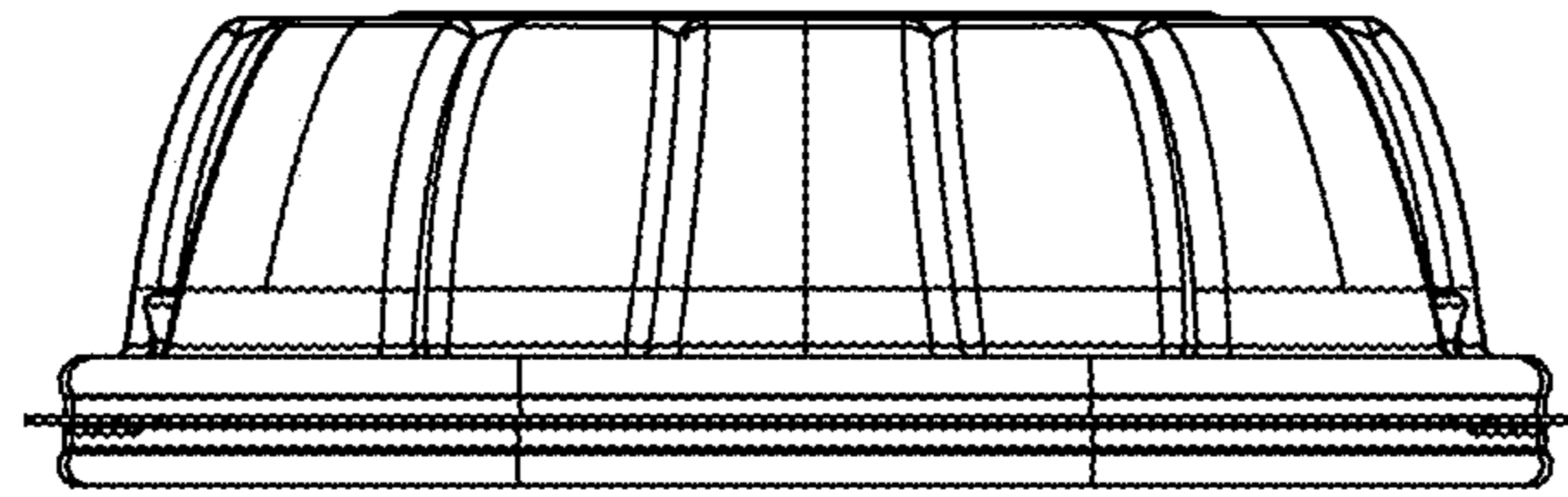


FIG 6

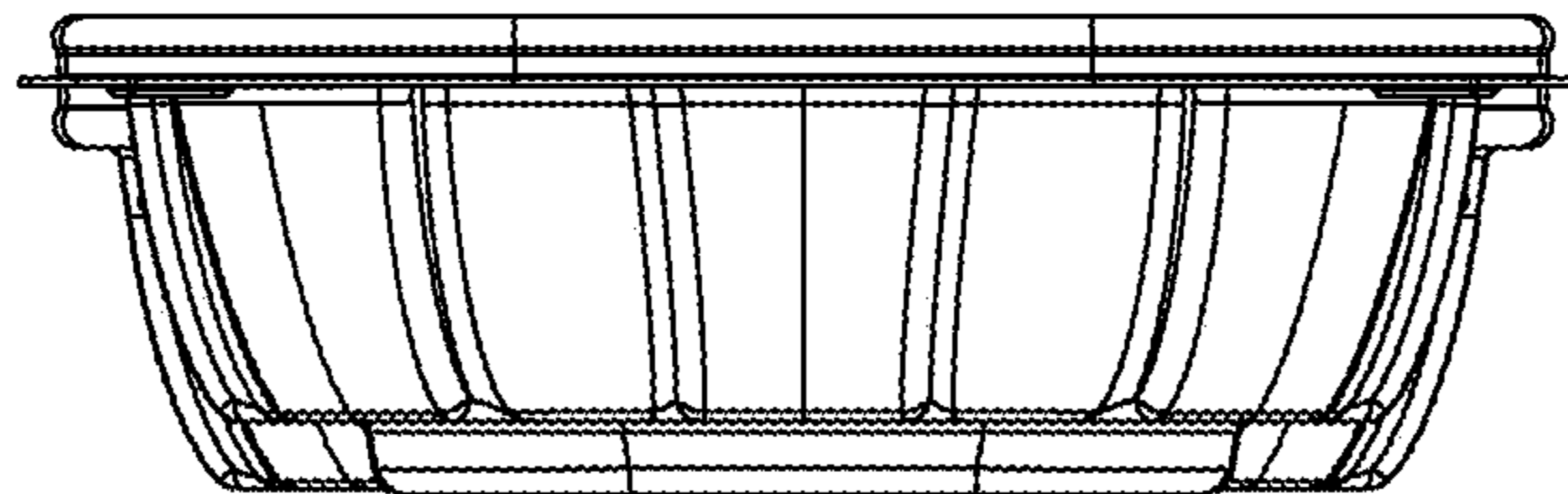


FIG 7