



US00D874262S

(12) **United States Design Patent** (10) **Patent No.:** **US D874,262 S**
Lindsay et al. (45) **Date of Patent:** **** *Feb. 4, 2020**

(54) **CONTAINER**

D278,412 S * 4/1985 Yeung D9/420
D375,259 S * 11/1996 Whitehead D9/420
5,857,583 A * 1/1999 Chantaca A47G 19/065
206/564

(71) Applicant: **Sistema Plastics Limited**, Mangere,
Auckland (NZ)

(Continued)

(72) Inventors: **Cameron Lindsay**, Auckland (NZ);
Raymond Holmes, Auckland (NZ)

FOREIGN PATENT DOCUMENTS

(73) Assignee: **SISTEMA PLASTICS LIMITED**
(NZ)

AU 2004201936 B2 11/2005
WO 2009028960 A1 3/2009

(*) Notice: This patent is subject to a terminal disclaimer.

OTHER PUBLICATIONS

(**) Term: **15 Years**

Sistema 21685ZS to Go Collection Bento Cube; Retrieved from
https://www.amazon.com/Sistema-21685ZS-Collection-Bento-Received/dp/B071JMJNMY/ref=sr_1_1?ie=UTF8&qid=1546012151&sr=8-1&keywords=1.25L+Bento+Cube; Retrieved on Dec. 28, 2018; Jun. 5, 2017 (Year: 2017).*

(21) Appl. No.: **29/634,989**

(Continued)

(22) Filed: **Jan. 26, 2018**

Primary Examiner — Wan Laymon

(30) **Foreign Application Priority Data**

Assistant Examiner — Clint A Samuel

Jul. 28, 2017 (ZA) F2017/01193

(74) *Attorney, Agent, or Firm* — McCarter & English, LLP

(51) **LOC (12) Cl.** **09-03**

(57) **CLAIM**

(52) **U.S. Cl.**
USPC **D9/420**

The ornamental design for a container, as shown and described.

(58) **Field of Classification Search**
USPC D9/414, 420, 426, 432, 654, 715, 716,
D9/719, 721, 737, 738, 751, 759;
D3/201, 203.2, 203.3, 203.6, 205, 905;
D7/542, 601, 602, 605, 629, 701, 709
CPC .. A47J 41/00; A47J 47/00; B65D 5/00; B65D
5/0085; B65D 1/00; B65D 1/22; B65D
1/24; B65D 77/006; B65D 9/00; B65D
43/00; B65D 43/162; B65D 43/163
See application file for complete search history.

DESCRIPTION

(56) **References Cited**

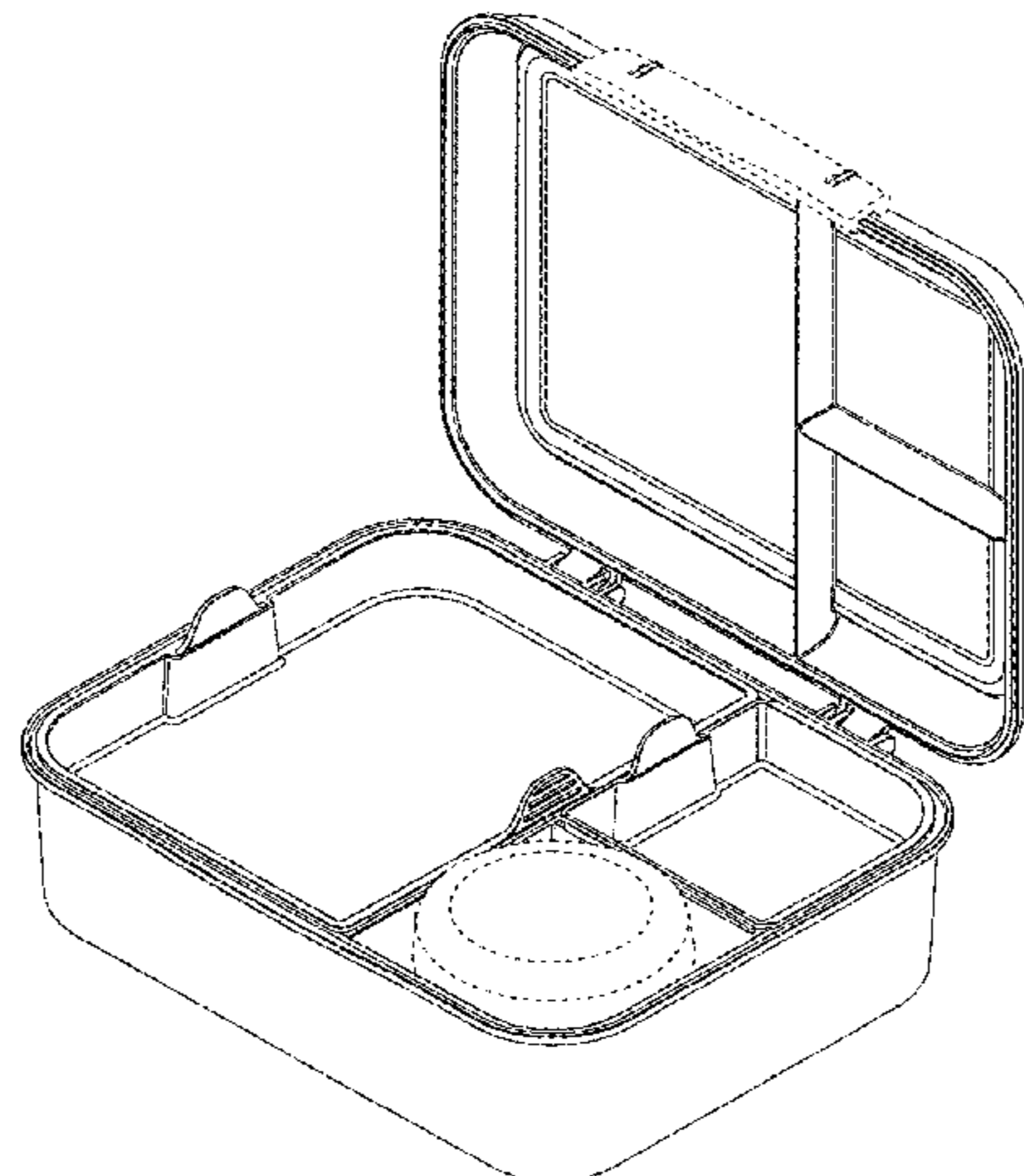
FIG. 1 is a top front perspective view of a container with its lid in an open position;
FIG. 2 is a front view of the container of FIG. 1;
FIG. 3 is a rear view of the container of FIG. 1;
FIG. 4 is left side view of the container of FIG. 1;
FIG. 5 is a right side view of the container of FIG. 1;
FIG. 6 is a top view of the container of FIG. 1;
FIG. 7 is a bottom view the container of FIG. 1; and,
FIG. 8 is a top front perspective view of the container of FIG. 1 with its lid in a closed position.

U.S. PATENT DOCUMENTS

The broken lines show structure that is not part of the claimed design, but rather are directed to environment in which the design is associated, or show portions of the

D263,023 S * 2/1982 Comisso D9/420
D269,854 S * 7/1983 Comisso D9/426

(Continued)



article on which the design is embodied or applied, and are for illustrative purposes only. The broken lines form no part of the claimed design.

1 Claim, 8 Drawing Sheets

(56) **References Cited**

U.S. PATENT DOCUMENTS

D463,276 S * 9/2002 Piscopo D9/420
D472,774 S * 4/2003 Pelstring D7/629
D656,369 S * 3/2012 Everson B65D 43/162
D7/629
D688,921 S * 9/2013 Miros D7/629
D695,575 S * 12/2013 Katz D7/629
D741,664 S * 10/2015 Kyle D7/629
D752,430 S * 3/2016 Stevenson D9/425
D763,629 S * 8/2016 Swartz D7/629
9,414,701 B1 * 8/2016 Yen A45C 13/02
D781,698 S * 3/2017 Koroukian D9/420
D815,500 S * 4/2018 Michie D7/709
10,005,573 B2 * 6/2018 Miros A45C 11/20
D829,545 S * 10/2018 Thurin D9/425
2013/0081361 A1 * 4/2013 Miros A45C 11/20
53/420
2016/0280413 A1 * 9/2016 Kaminski B65D 1/30

OTHER PUBLICATIONS

1.25L Bento Cube; Retrieved from <https://sistemaplastics.com/products/lunch/1.25l-bento-cube1>; Retrieved on Dec. 28, 2018; Sep. 18, 2018 (Year: 2018).*
Sistema, Product Catalogue 2016, 2016, pp. 1, 44, 2 pages.

* cited by examiner

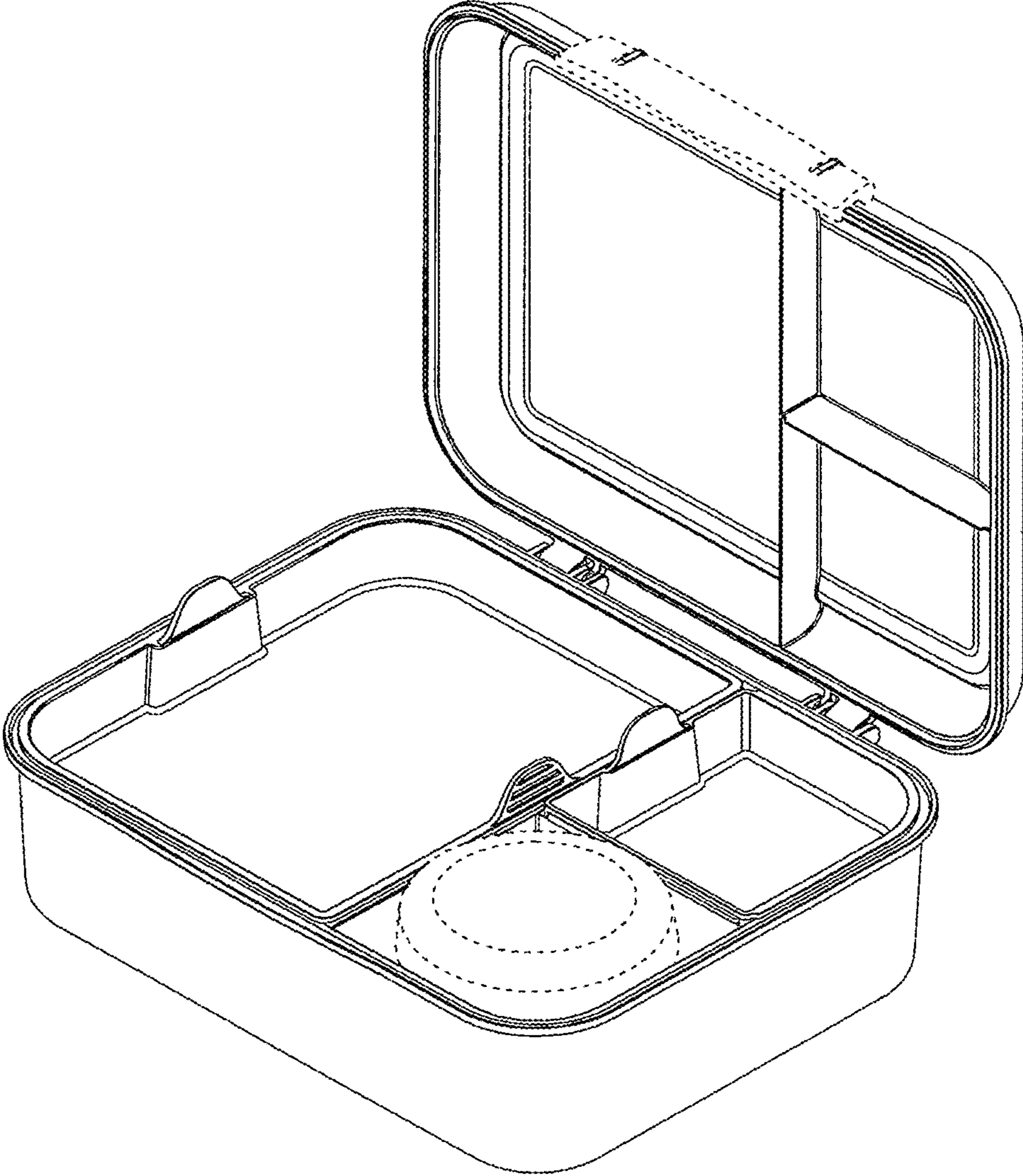


FIG. 1

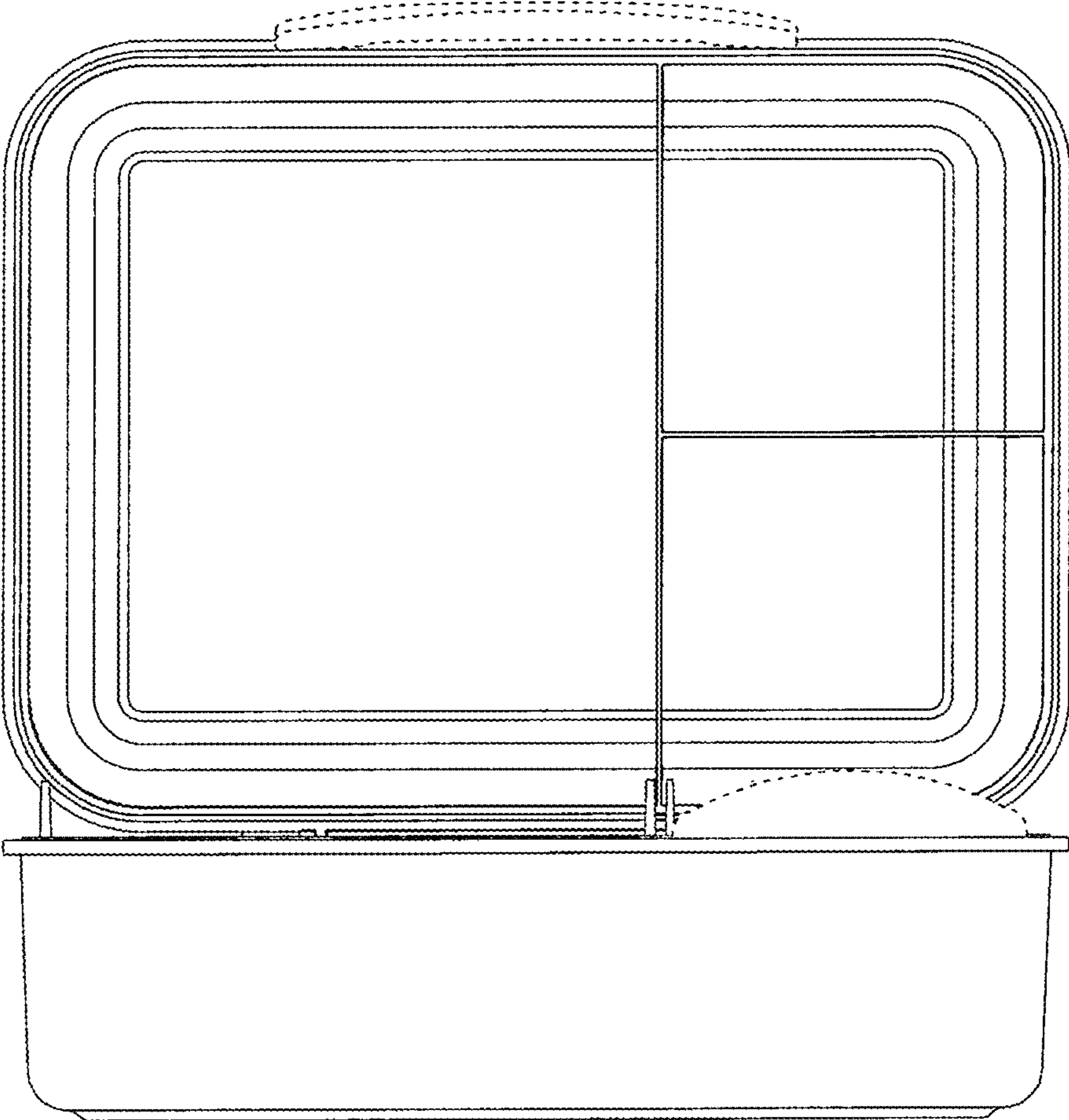


FIG. 2

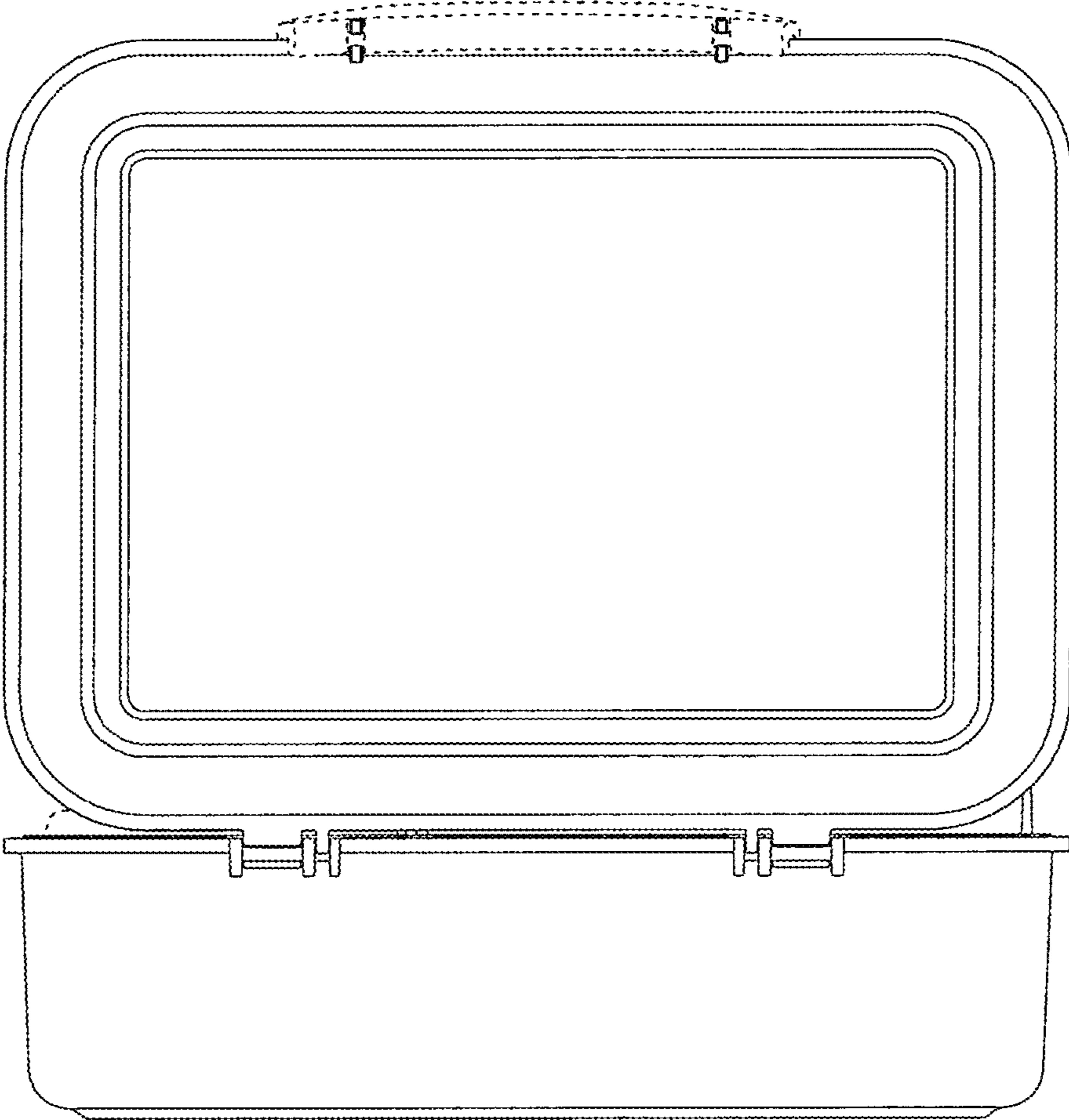


FIG. 3

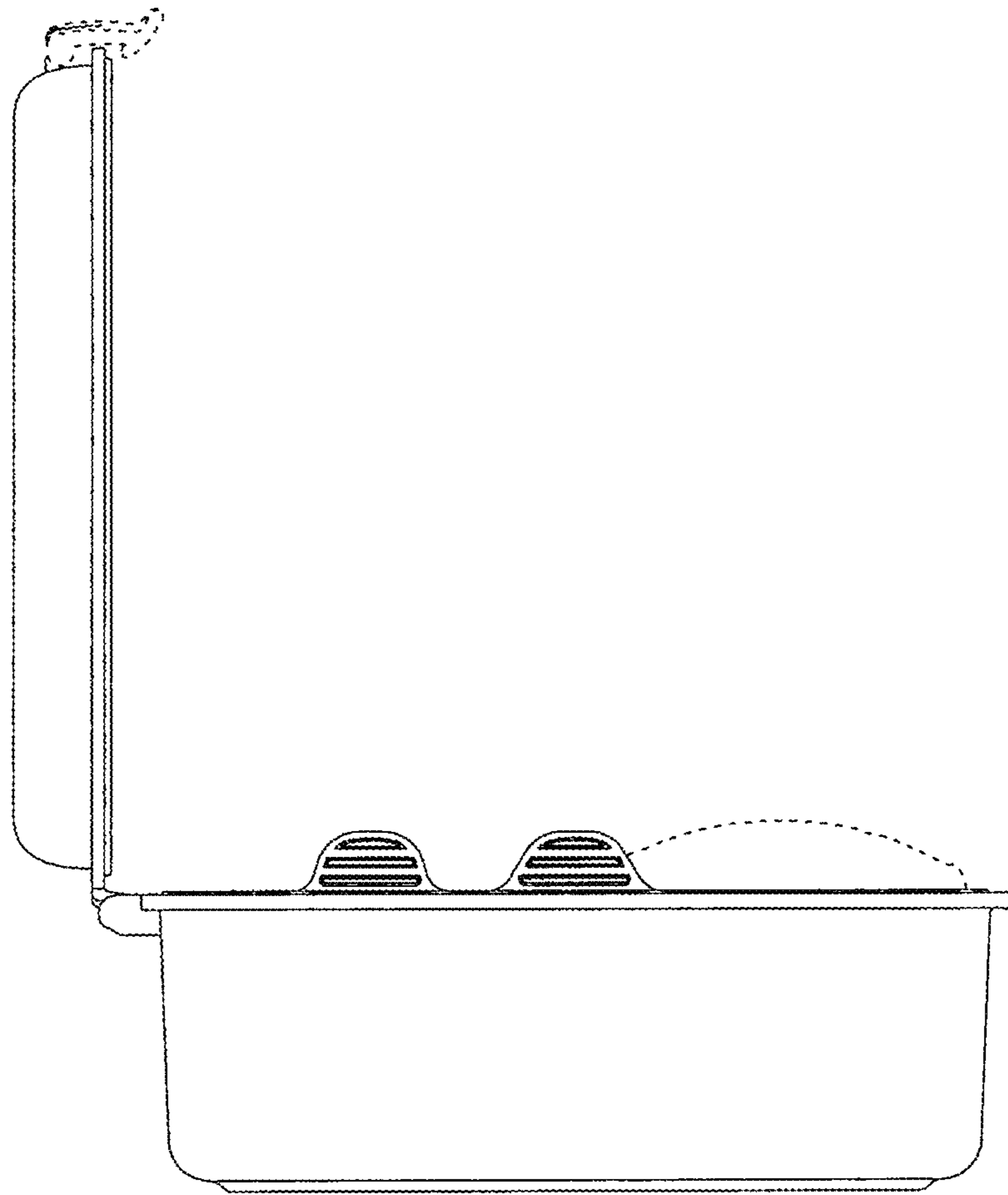


FIG. 4

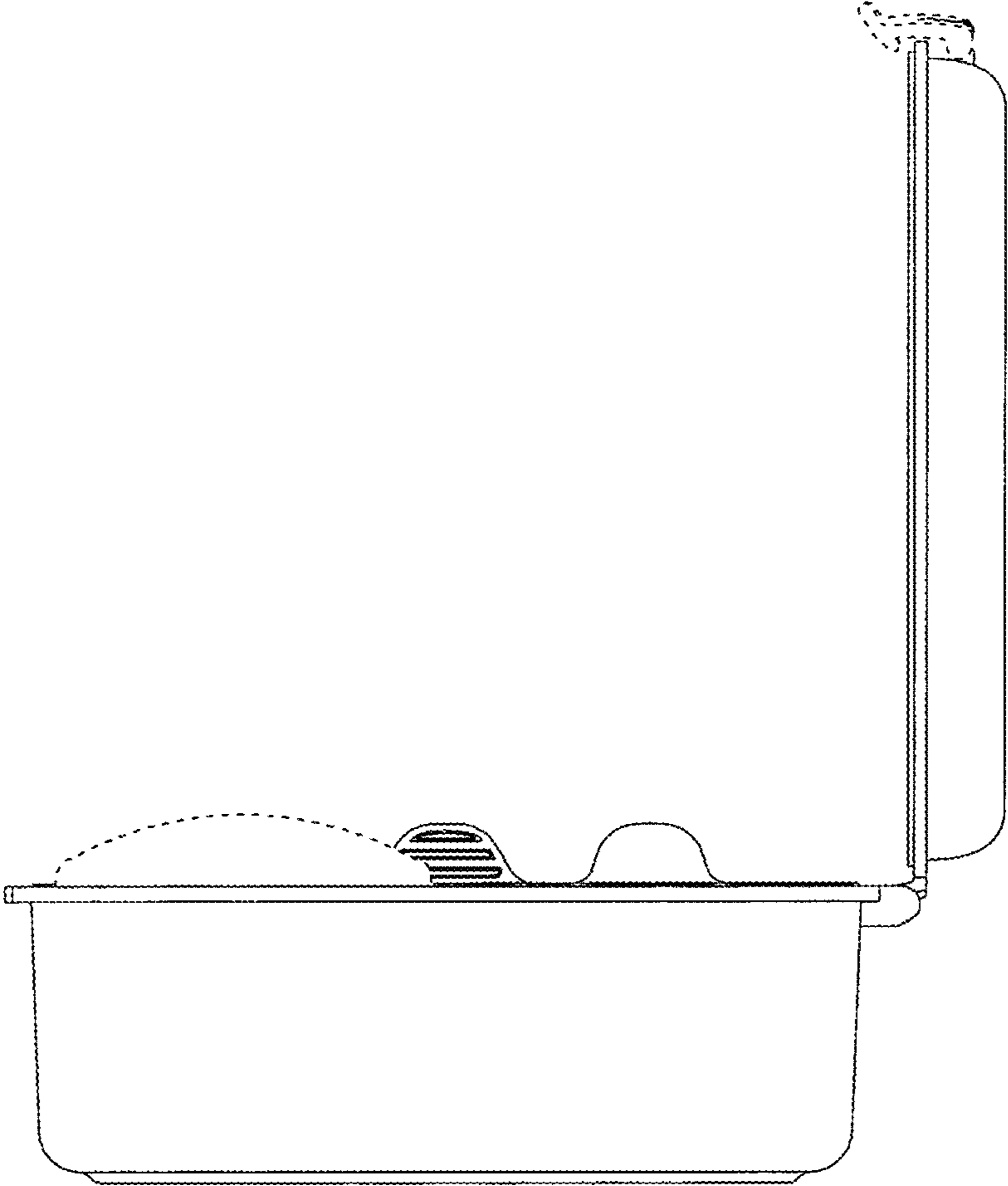


FIG. 5

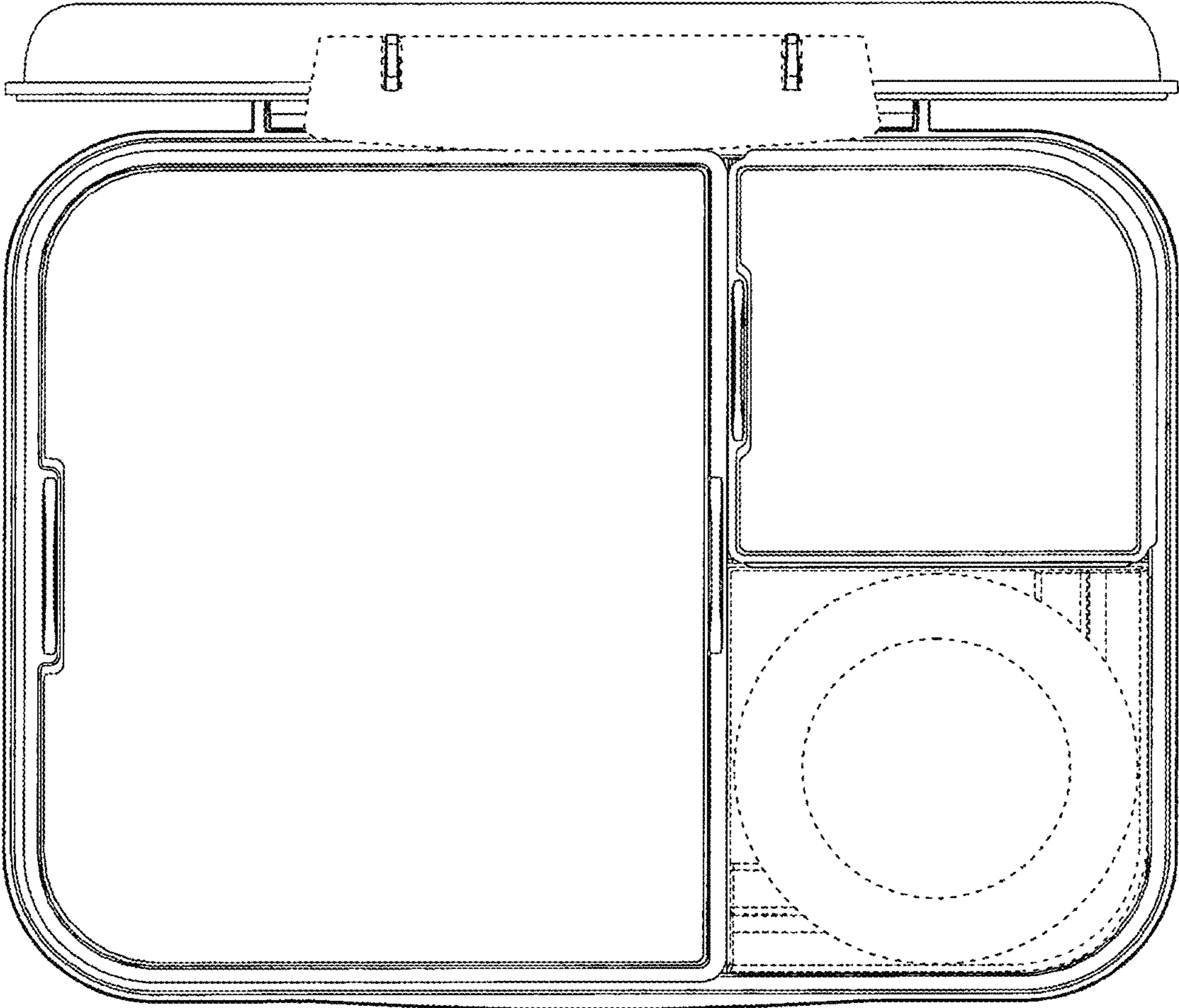


FIG. 6

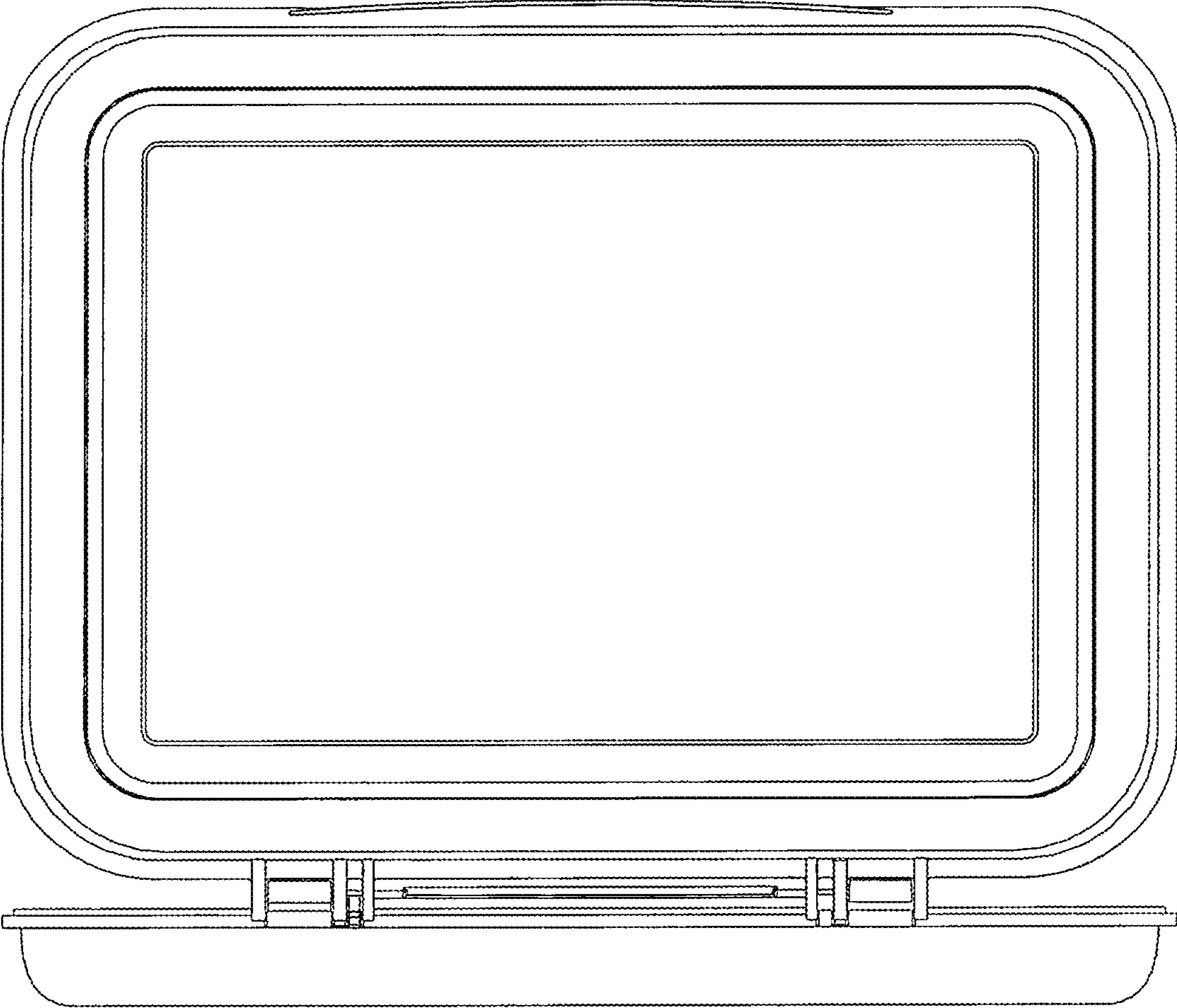


FIG. 7

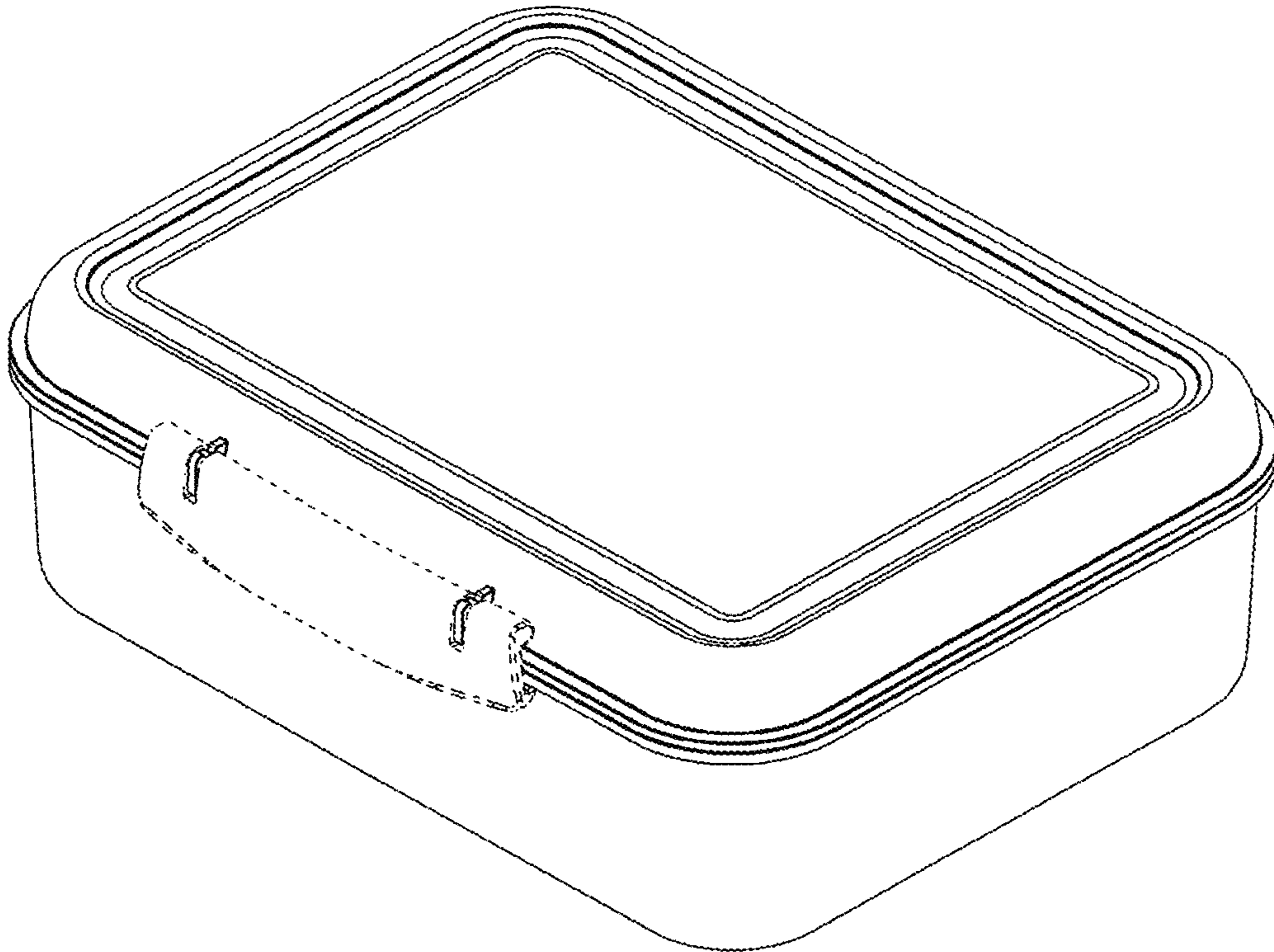


FIG. 8