



US00D874259S

(12) **United States Design Patent**
Stanley

(10) **Patent No.:** **US D874,259 S**

(45) **Date of Patent:** **** *Feb. 4, 2020**

(54) **CORNER PROTECTOR**

(71) Applicant: **SAFELoad SA**, Honeydew OT (ZA)

(72) Inventor: **Stephen Stanley**, Olivedale (ZA)

(73) Assignee: **SAFELoad SA**, Honeydew (SA)

(*) Notice: This patent is subject to a terminal disclaimer.

(**) Term: **15 Years**

(21) Appl. No.: **29/639,029**

(22) Filed: **Mar. 2, 2018**

(51) **LOC (12) Cl.** **08-09**

(52) **U.S. Cl.**
USPC **D8/403**

(58) **Field of Classification Search**
USPC D6/648, 648.1, 641, 675, 675.2, 691, D6/692.6, 699.4, 702, 703, 707, 707.26, D6/707.24; 108/27; 52/717.01, 741.3, 52/287.1; 16/404, 82, 83, 86 A, 86 B, 16/86 R; D8/400-499; D25/58, 121, D25/136, 164, 199, 119; 312/215, 271, 312/289, 290, 312, 328, 330.1, 332, 312/334.1, 345.4, 400, 334.7, 350, 351, 312/332.1, 334.44
CPC .. E05F 5/06; E05Y 2900/531; E05Y 2201/21; E05C 17/203; E05C 17/36
See application file for complete search history.

(56) **References Cited**

U.S. PATENT DOCUMENTS

749,834 A * 1/1904 Beisel B65D 9/34
217/69
2,266,181 A * 12/1941 Epps B65D 71/04
206/544

3,922,408 A * 11/1975 Smith A47B 95/043
428/40.1
4,120,441 A * 10/1978 Hurley B65D 5/5088
206/453
D336,687 S * 6/1993 Schremmer D25/138
D542,127 S * 5/2007 Carr D8/403
7,383,952 B2 * 6/2008 Kruelle B65D 81/053
206/453
8,443,975 B2 * 5/2013 Butch, Jr. B65D 81/054
206/453
D771,485 S * 11/2016 Bartleet D8/403
9,764,527 B2 * 9/2017 D'Anglade; B65D 81/054
D853,833 S * 7/2019 Stanley D8/403

* cited by examiner

Primary Examiner — Janice Hallmark
Assistant Examiner — Harold E Blackwell, II
(74) *Attorney, Agent, or Firm* — Quinn IP Law

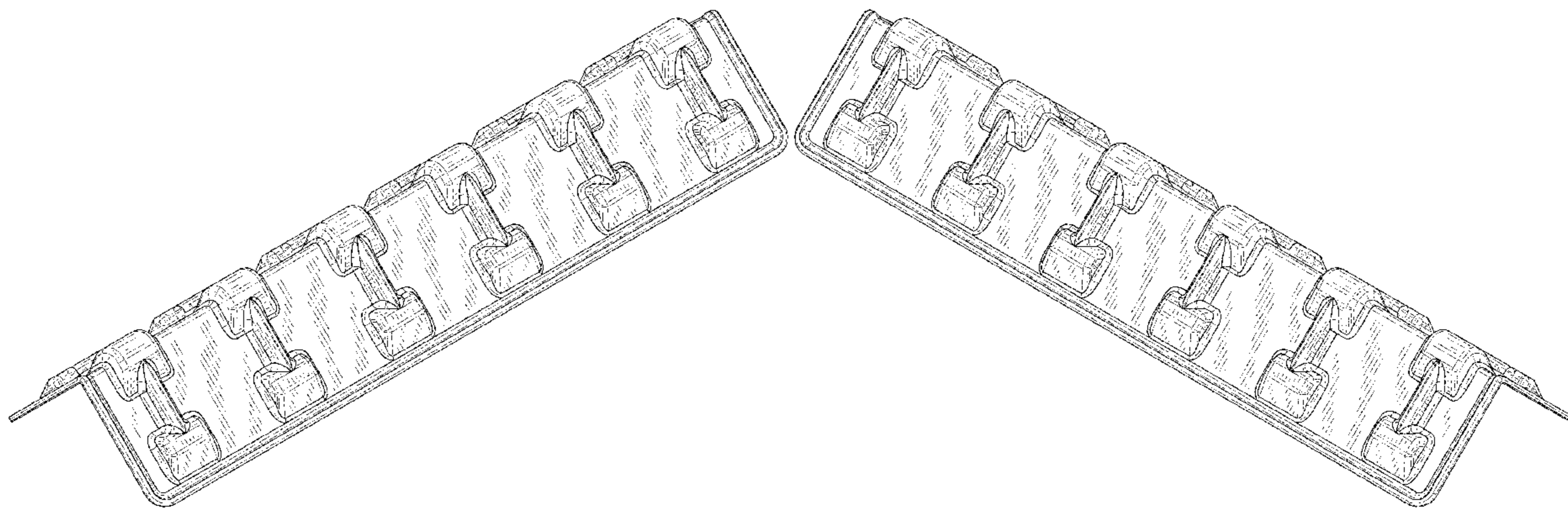
(57) **CLAIM**

I claim the ornamental design for a corner protector, as shown and described.

DESCRIPTION

FIG. 1 is a left side perspective view of the corner protector; FIG. 2 is a right side perspective view of the corner protector of FIG. 1; FIG. 3 is a top view of the corner protector of FIG. 1; FIG. 4 is a bottom view of the corner protector of FIG. 1; FIG. 5 is a left side elevation view of the corner protector of FIG. 1; FIG. 6 is a front elevation view of the corner protector of FIG. 1; and, FIG. 7 is a right side elevation view of the corner protector of FIG. 1.

1 Claim, 2 Drawing Sheets



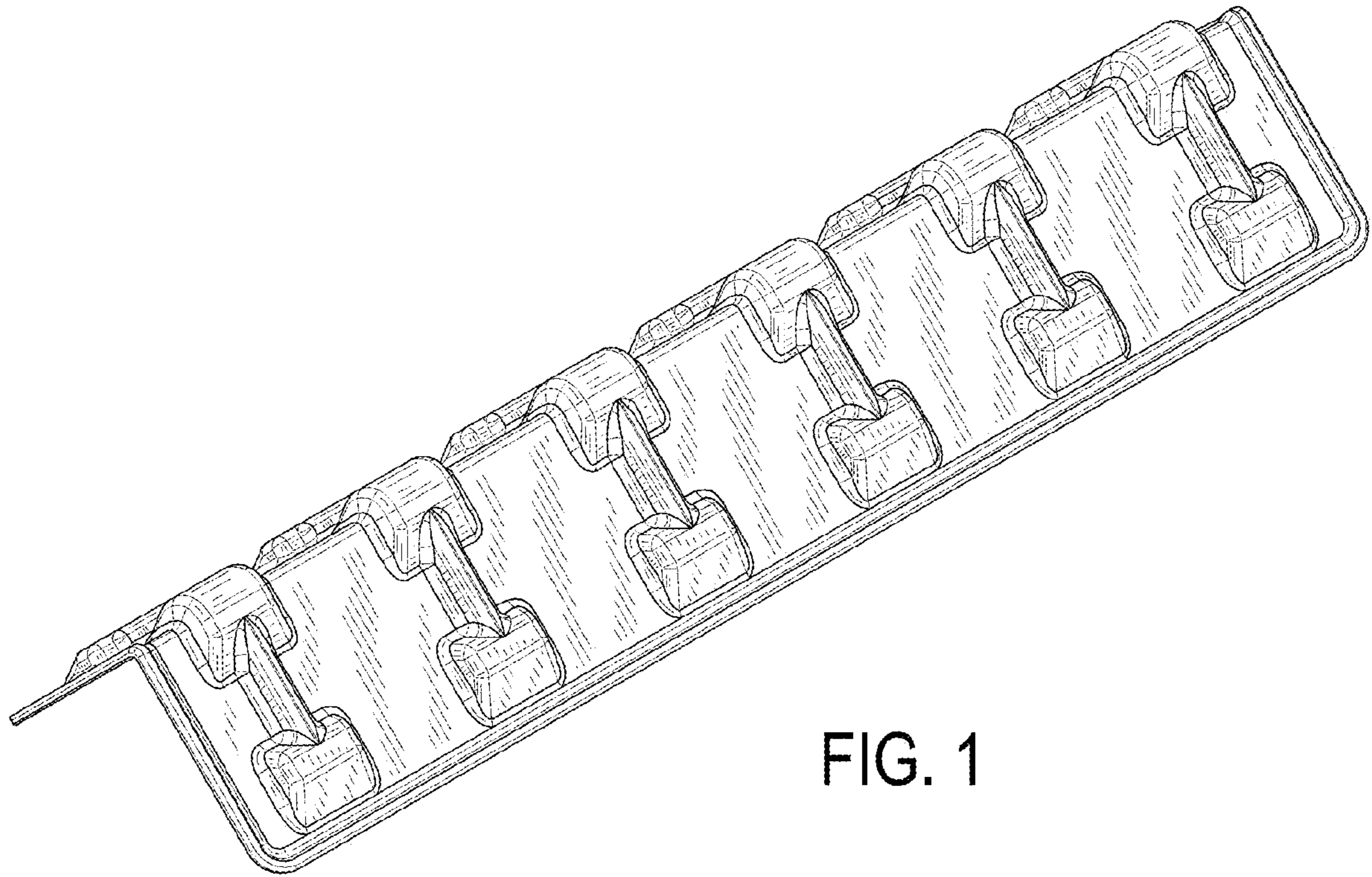


FIG. 1

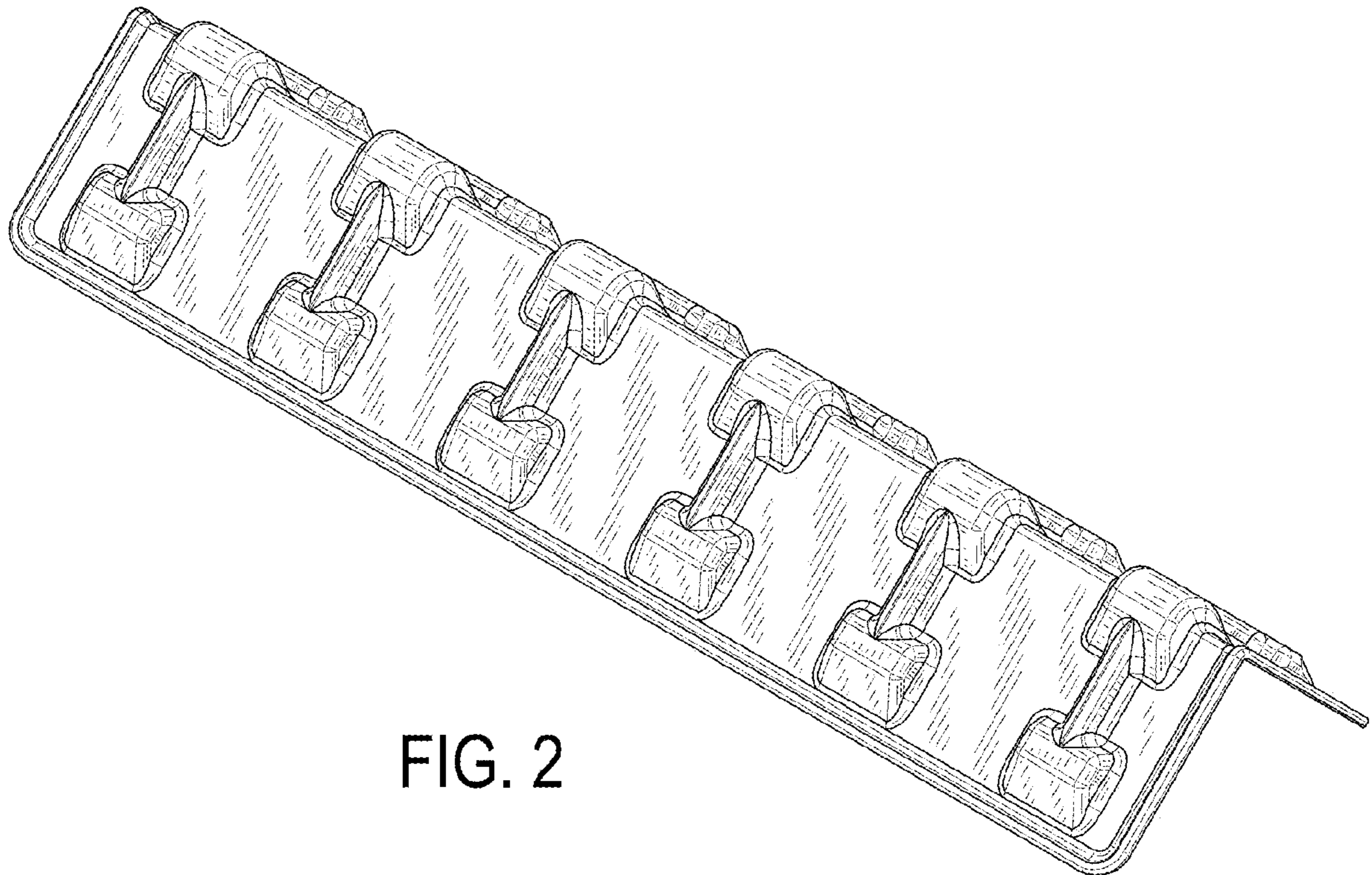


FIG. 2

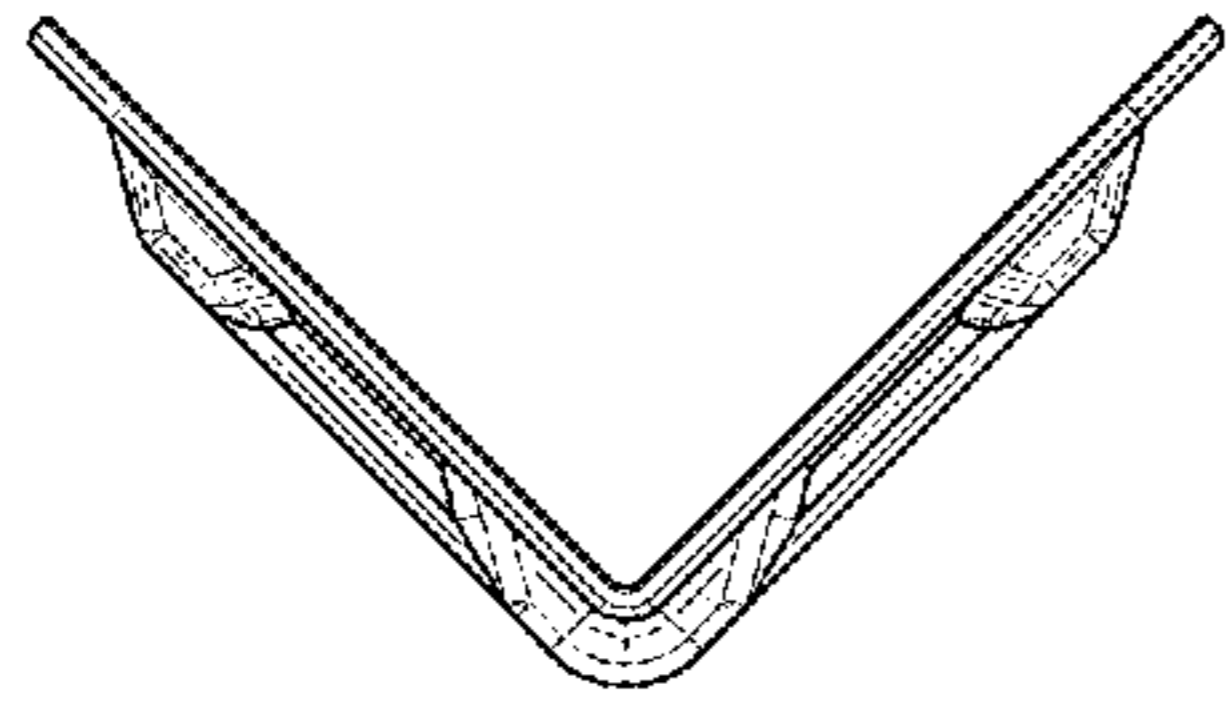


FIG. 3

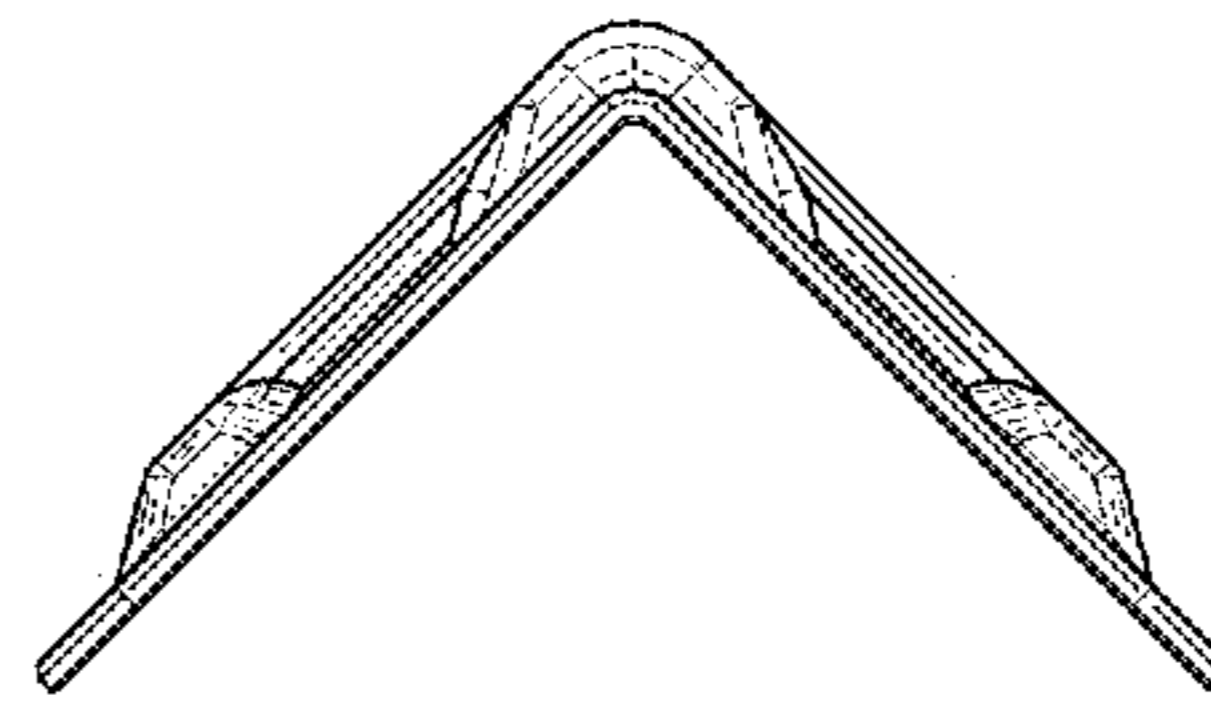


FIG. 4

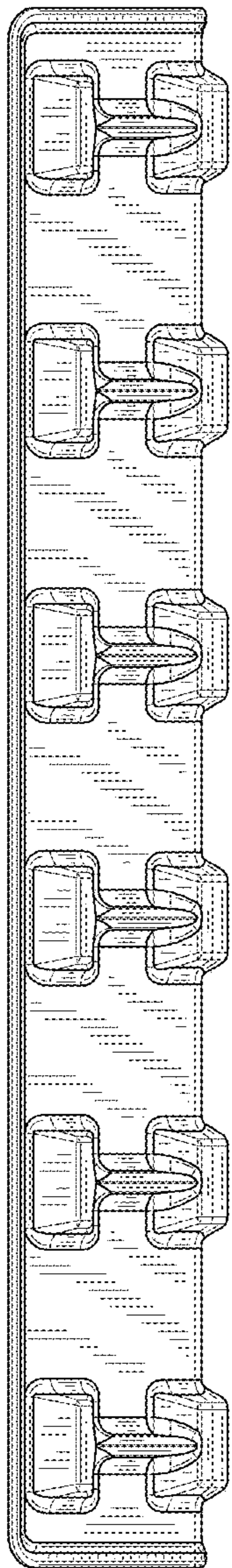


FIG. 5

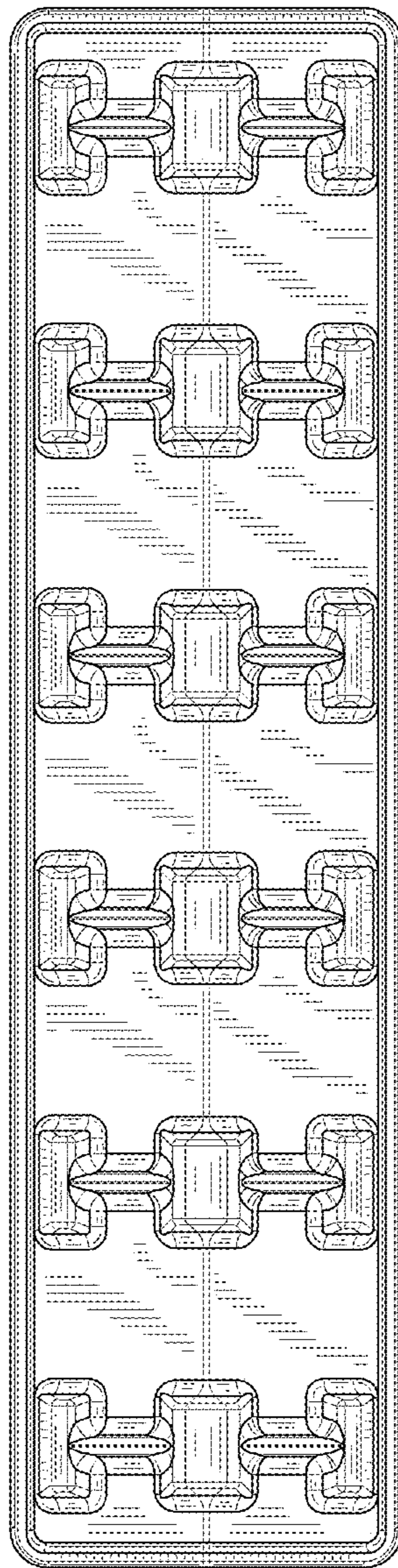


FIG. 6

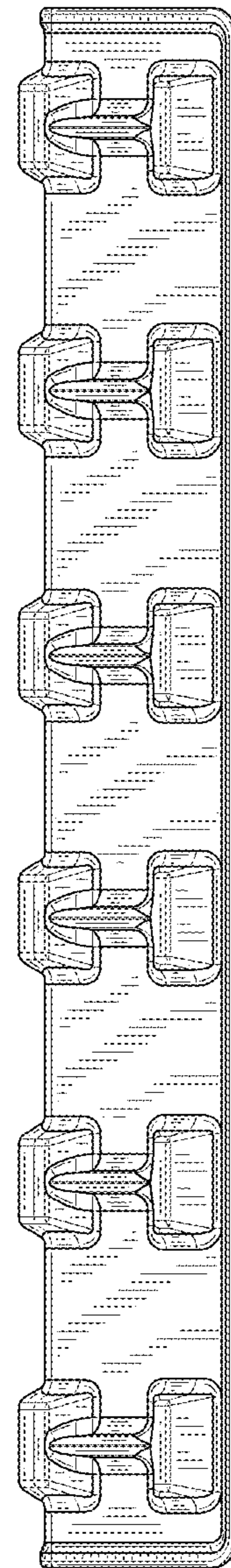


FIG. 7