



US00D874256S

(12) **United States Design Patent** (10) **Patent No.:** **US D874,256 S**  
**Cheng** (45) **Date of Patent:** **\*\* Feb. 4, 2020**

(54) **CONNECT NUT**  
(71) Applicant: **Yuan Mei Corp.**, Chang Hua Hsien (TW)  
(72) Inventor: **Chi-Han Cheng**, Chang Hua Hsien (TW)  
(73) Assignee: **Yuan Mei Corp.**, Chang Hua Hsien (TW)  
(\*\*) Term: **15 Years**  
(21) Appl. No.: **29/669,989**  
(22) Filed: **Nov. 13, 2018**  
(51) **LOC (12) Cl.** ..... **08-08**  
(52) **U.S. Cl.**  
USPC ..... **D8/399**; D23/262  
(58) **Field of Classification Search**  
USPC ..... D8/397, 394, 382, 349, 399; 411/427, 411/374; D23/262  
CPC ..... A61B 17/0401; E04D 13/1476; E04G 25/065; F16B 41/002; F16B 23/0061; F16B 37/14; F16B 35/00  
See application file for complete search history.

D821,549 S \* 6/2018 Naslund ..... D23/262  
D822,799 S \* 7/2018 Naslund ..... D23/262  
D822,800 S \* 7/2018 Naslund ..... D23/262  
D823,641 S \* 7/2018 Bodum ..... D7/510  
D830,525 S \* 10/2018 Lyell ..... D23/262  
D832,983 S \* 11/2018 Naslund ..... D23/262  
D834,687 S \* 11/2018 Khubani ..... D23/262  
D848,792 S \* 5/2019 Duvigneau ..... D7/510  
D853,789 S \* 7/2019 Adams, Jr. .... D7/509  
D859,135 S \* 9/2019 Pista ..... D8/387  
2007/0096464 A1\* 5/2007 Spadotto ..... A01G 25/02 285/322  
2008/0238087 A1\* 10/2008 Wang ..... F16L 25/009 285/39  
2012/0321294 A1\* 12/2012 Tages ..... G03B 17/02 396/535  
2013/0257043 A1\* 10/2013 Guest ..... F16L 37/101 285/322

\* cited by examiner

*Primary Examiner* — Cynthia R Underwood  
(74) *Attorney, Agent, or Firm* — Stinson LLP

(57) **CLAIM**

The ornamental design for a connect nut, as shown and described.

**DESCRIPTION**

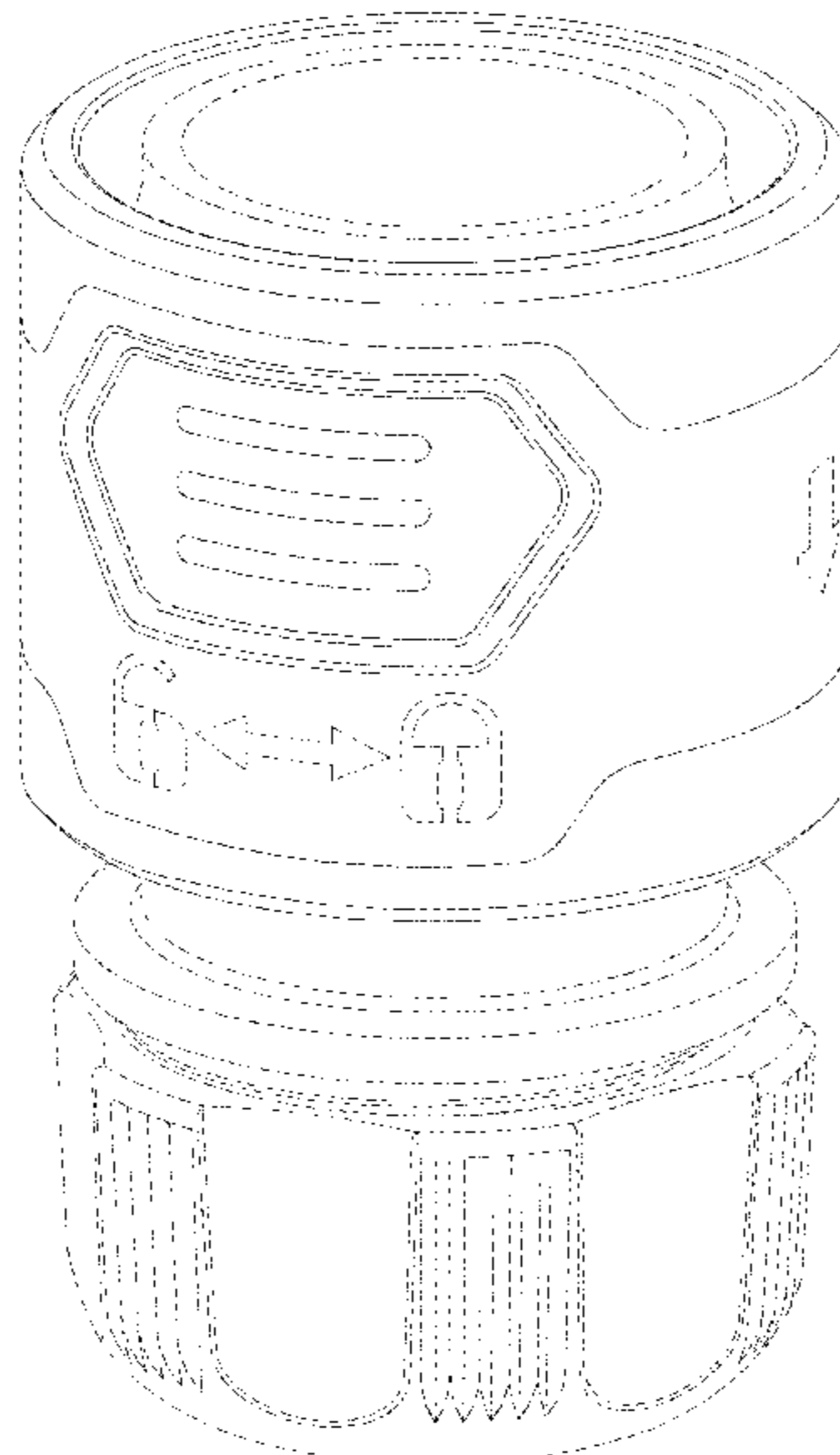
FIG. 1 is a perspective view of a connect nut showing an embodiment of my new design;  
FIG. 2 is a front elevational view thereof;  
FIG. 3 is a rear elevational view thereof;  
FIG. 4 is a left side elevational view thereof;  
FIG. 5 is a right side elevational view thereof;  
FIG. 6 is a top plan view thereof;  
FIG. 7 is a bottom plan view thereof; and,  
FIG. 8 is an enlarged sectional view taken in in the direction of line 8-8 on FIG. 3.  
The broken lines represent environment and form no part of the claim.

**1 Claim, 8 Drawing Sheets**

(56) **References Cited**

**U.S. PATENT DOCUMENTS**

D299,267 S \* 1/1989 Roman ..... D23/262  
D320,842 S \* 10/1991 Roman ..... D23/262  
D334,617 S \* 4/1993 Roman ..... D23/262  
D402,012 S \* 12/1998 Clivio ..... D23/262  
D402,357 S \* 12/1998 Clivio ..... D23/262  
D403,056 S \* 12/1998 Clivio ..... D23/262  
D575,377 S \* 8/2008 Roman ..... D23/259  
D632,764 S \* 2/2011 Cheng ..... D23/262  
8,366,154 B2\* 2/2013 Wang ..... F16L 37/133 285/314  
D687,528 S \* 8/2013 Meyer ..... D23/262  
D748,762 S \* 2/2016 Naslund ..... D23/262  
D792,202 S \* 7/2017 Baiz ..... D8/387



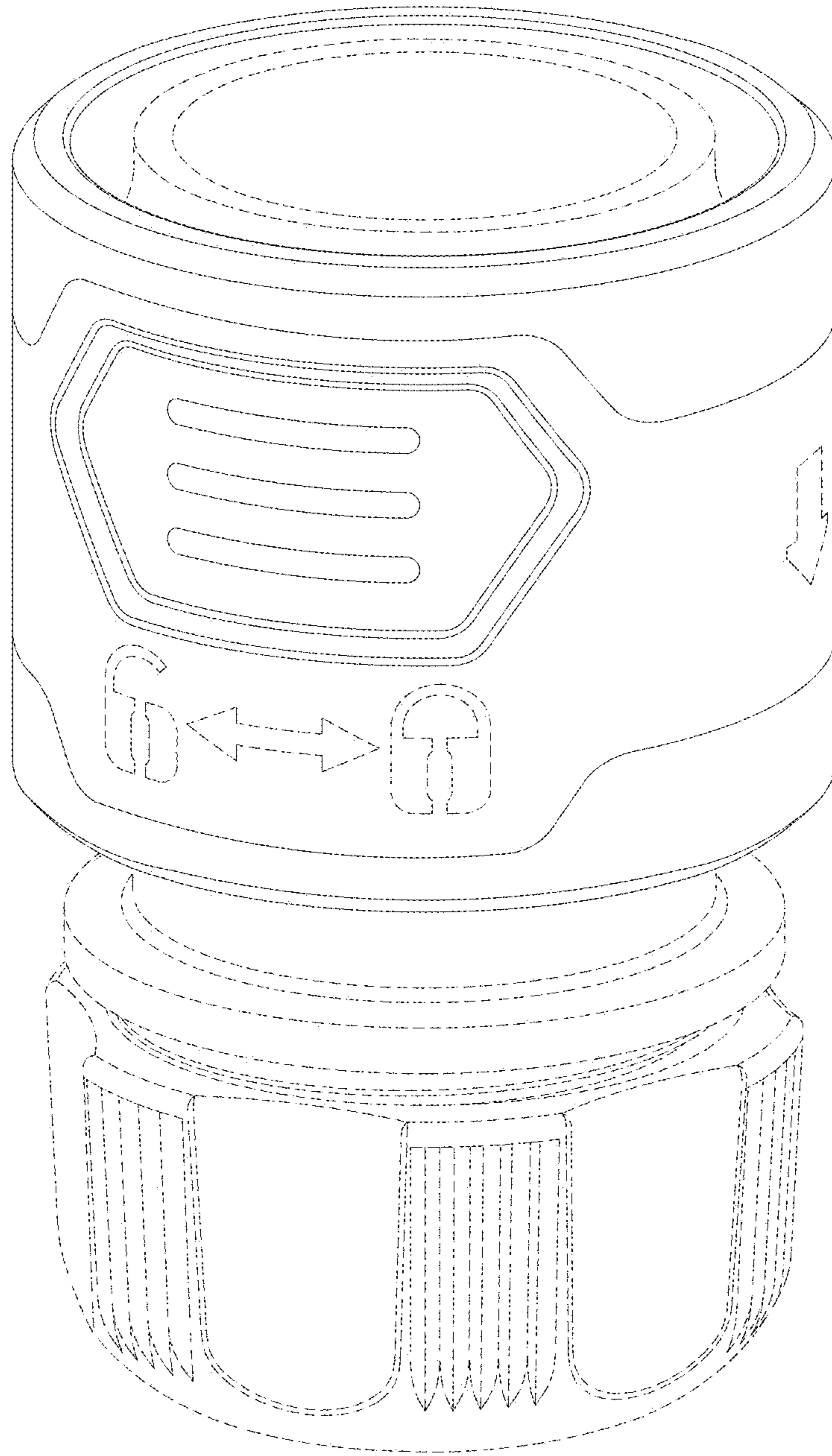


Fig. 1

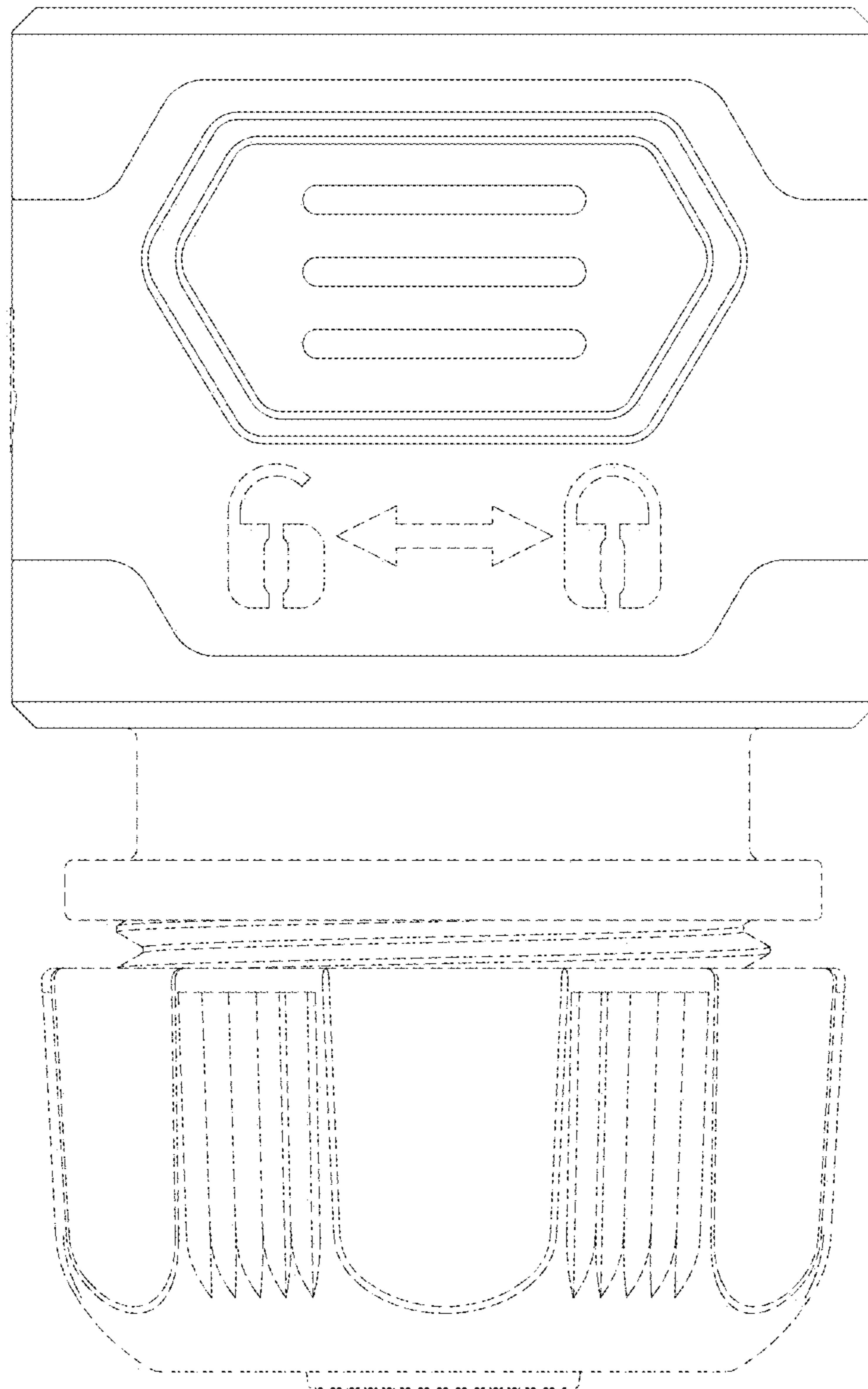


Fig. 2

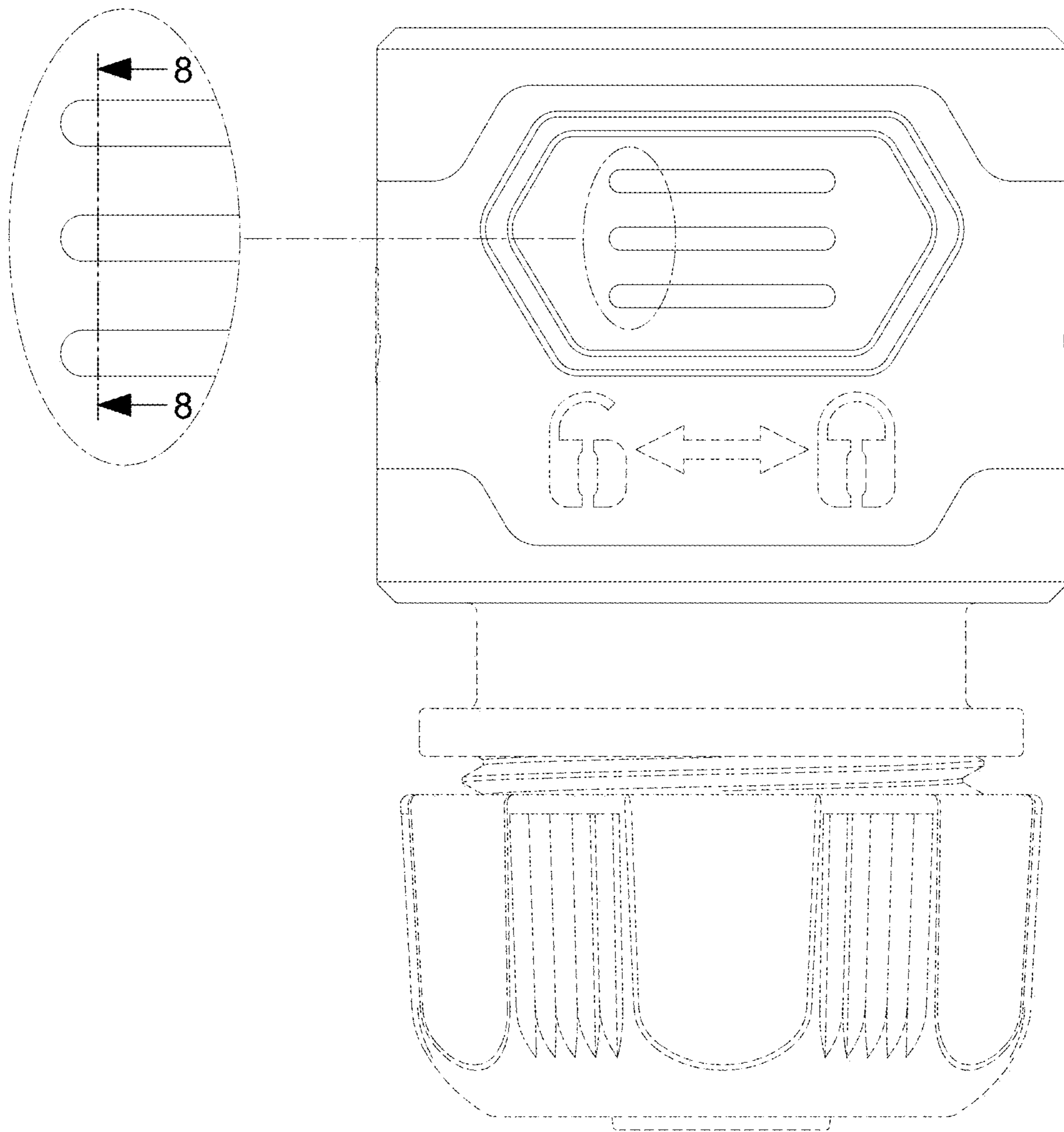


Fig. 3

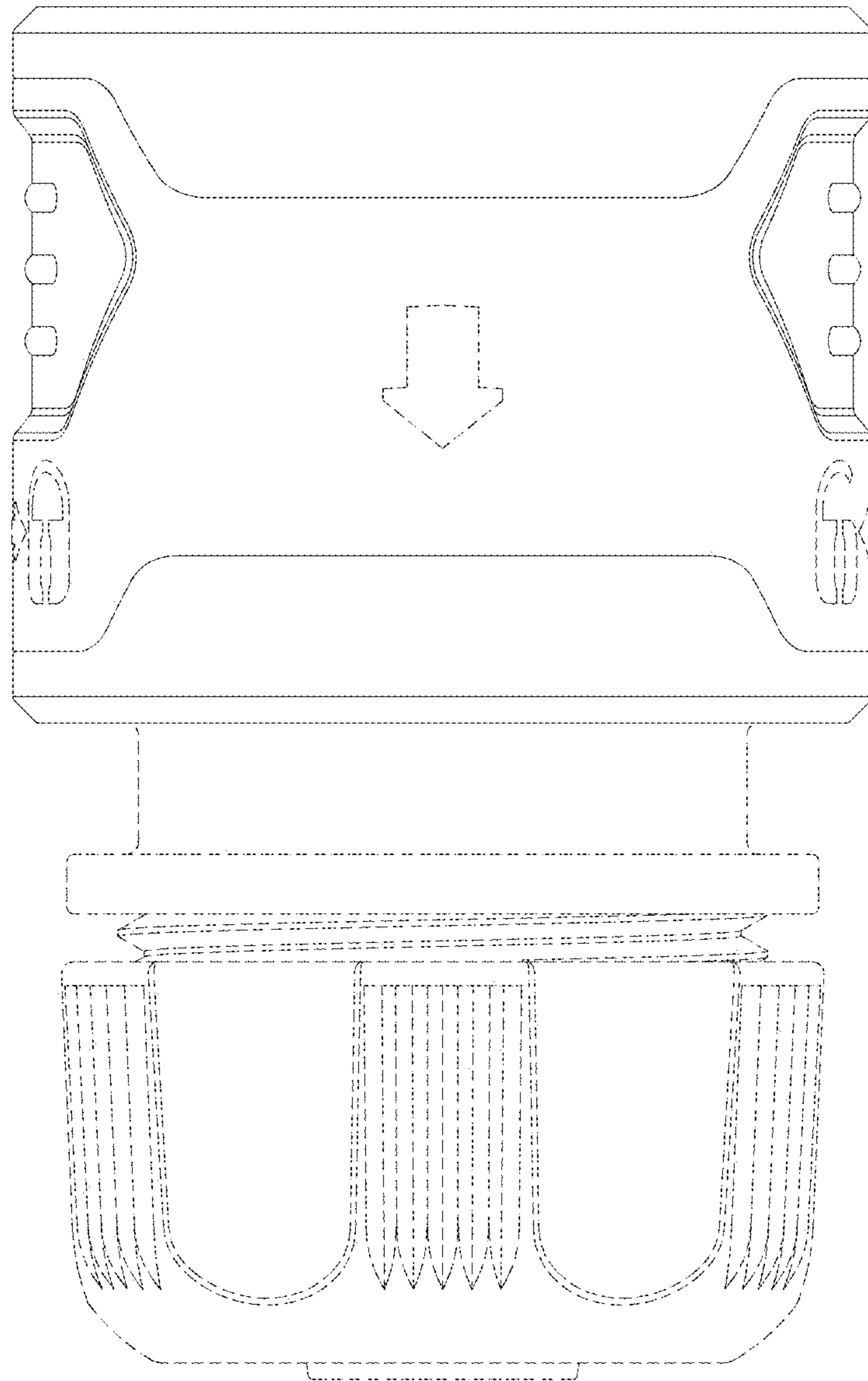


Fig. 4

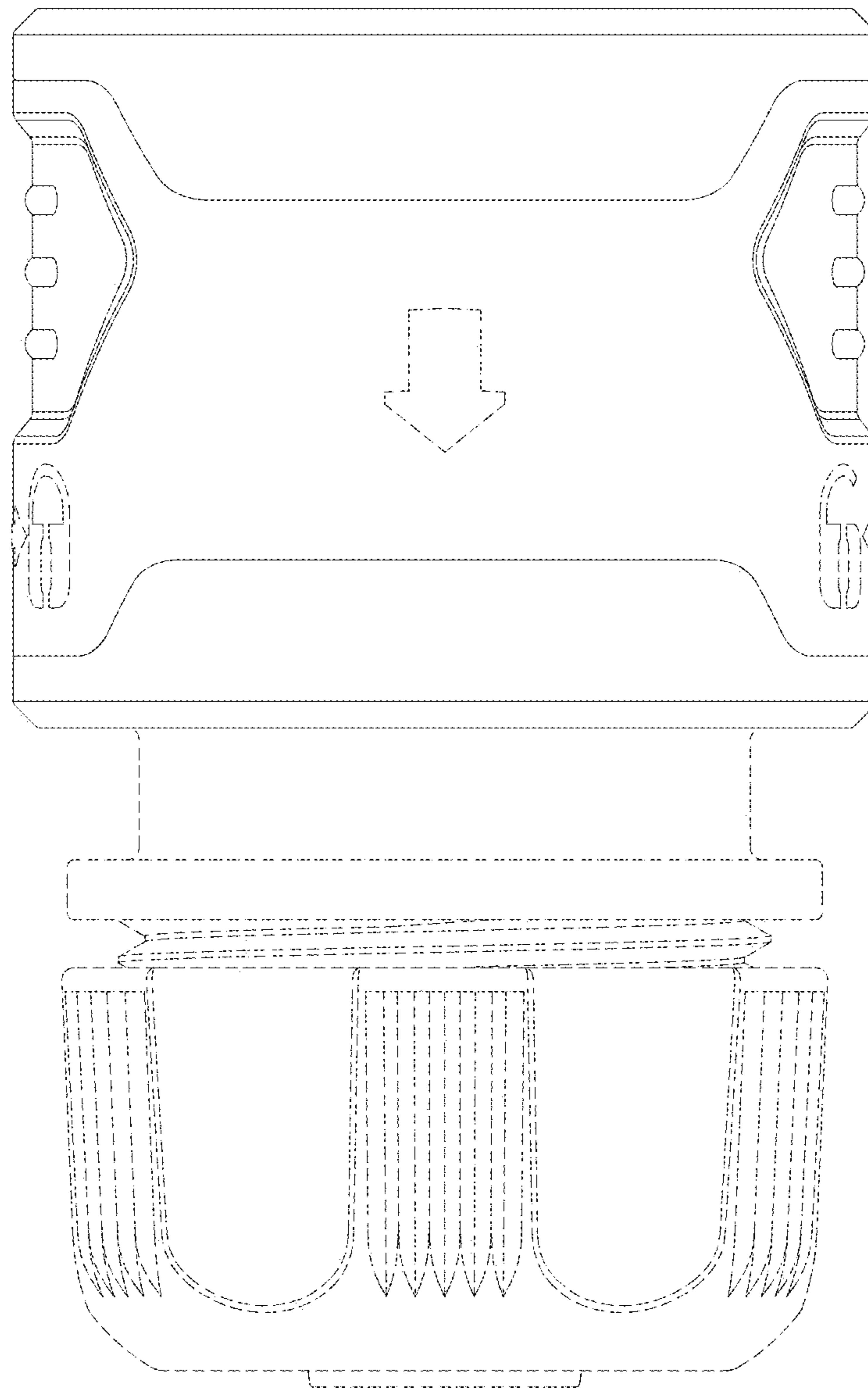


Fig. 5

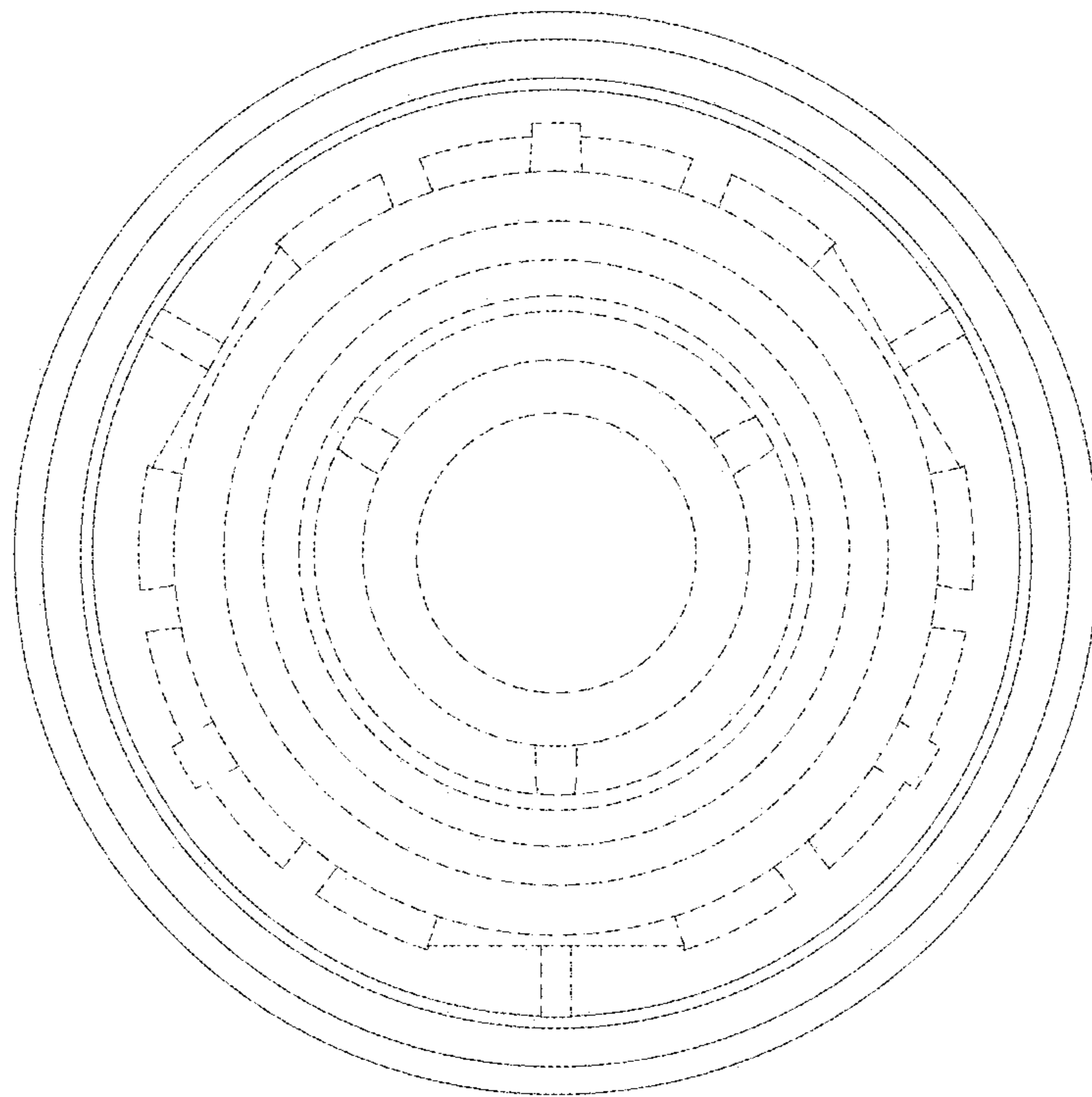


Fig. 6

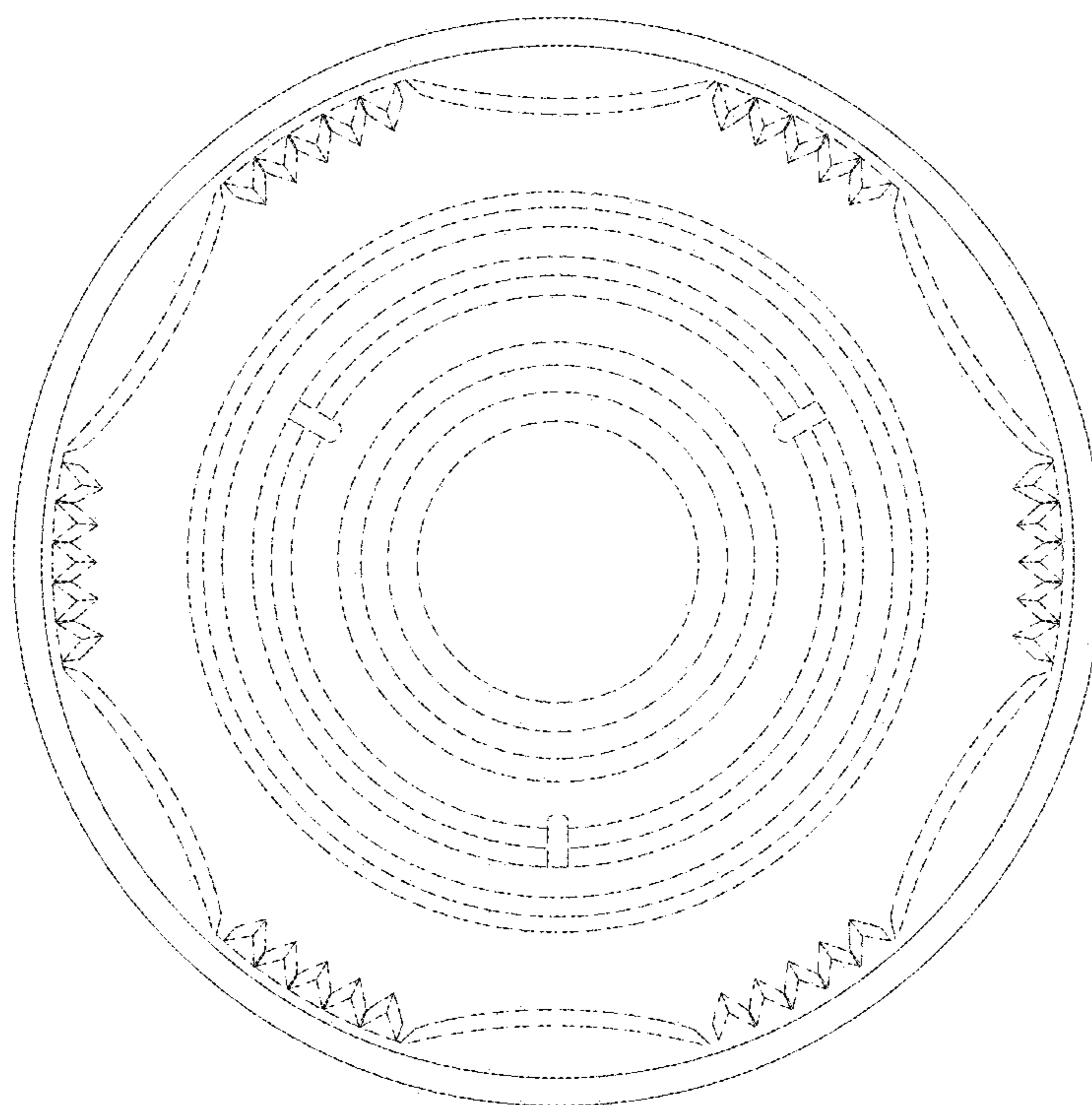


Fig. 7



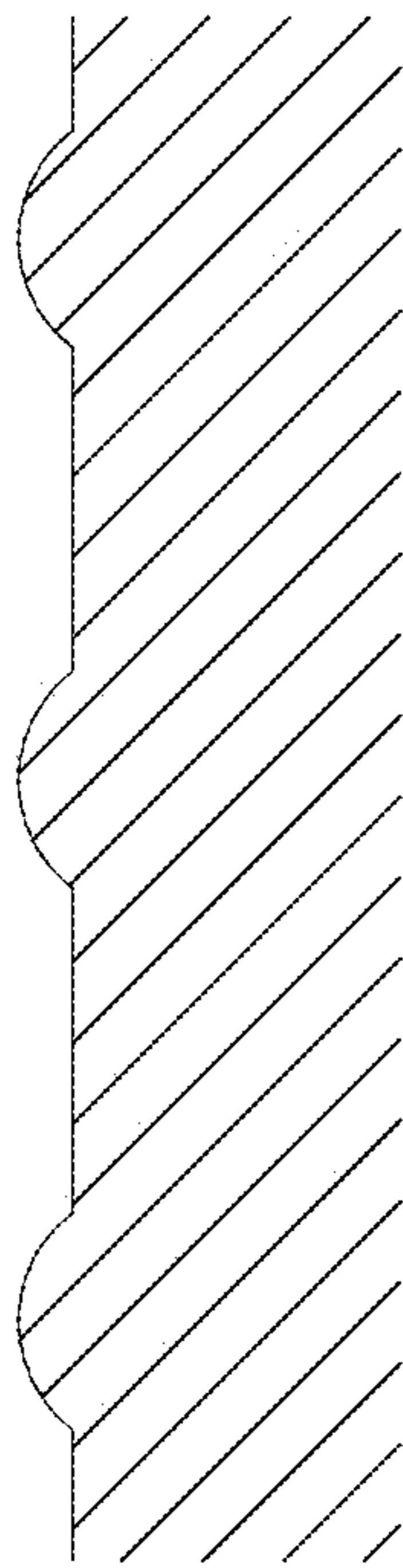


Fig. 8