



US00D874255S

(12) **United States Design Patent**
Krahn et al.

(10) **Patent No.:** **US D874,255 S**

(45) **Date of Patent:** **** Feb. 4, 2020**

- (54) **AXLE CAP**
- (71) Applicant: **Fayette Trailers LLC**, Cocolamus, PA (US)
- (72) Inventors: **Wendall Krahn**, Thompsontown, PA (US); **Joshua Martin**, Middleburg, PA (US)
- (73) Assignee: **Fayette Trailers LLC**, Cocolamus, PA (US)

D744,094 S *	11/2015	Desai	D24/129
D761,183 S *	7/2016	Bennett	B60B 7/0013
				D12/213
D784,132 S *	4/2017	Johnson	D9/434
D793,218 S *	8/2017	Hodges	D8/397
D798,701 S *	10/2017	Hill	F16B 35/00
				D8/397
D819,442 S *	6/2018	Johnson	D9/435
D825,322 S *	8/2018	Sears	D8/397
D835,744 S *	12/2018	Lazar	D22/108

(**) Term: **15 Years**

(21) Appl. No.: **29/660,653**

(22) Filed: **Aug. 22, 2018**

(51) **LOC (12) Cl.** **08-08**

(52) **U.S. Cl.**
USPC **D8/399**

(58) **Field of Classification Search**
USPC D8/397, 394, 382, 349, 399; 411/427, 411/374
CPC A61B 17/0401; E04D 13/1476; E04G 25/065; F16B 41/002; F16B 23/0061; F16B 37/14; F16B 35/00
See application file for complete search history.

(56) **References Cited**

U.S. PATENT DOCUMENTS

D600,094 S *	9/2009	Hwang	D8/312
D606,853 S *	12/2009	Shapiro	D8/397
D632,944 S *	2/2011	Kang	D8/312
D675,655 S *	2/2013	Leach	D15/144
D704,543 S *	5/2014	Kuhmichel	D8/397
D738,714 S *	9/2015	Kuhmichel	D8/397

* cited by examiner

Primary Examiner — Cynthia R Underwood

(74) *Attorney, Agent, or Firm* — Hooker & Habib, P.C.

(57) **CLAIM**

The ornamental design of an axle cap, as shown and described.

DESCRIPTION

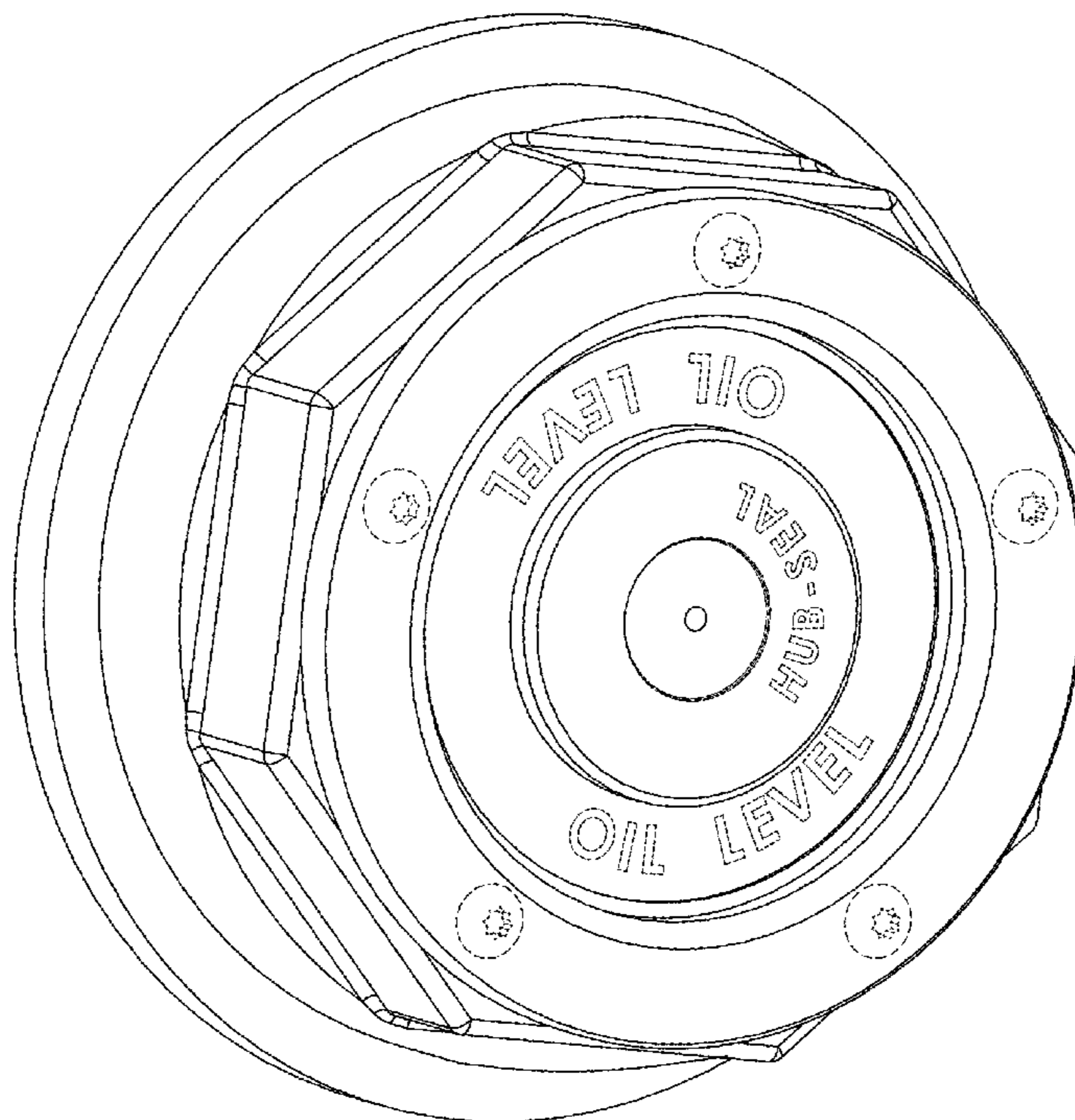
FIG. 1 is a top view of an axle cap according to the disclosed ornamental design.

FIG. 2 is a left-front perspective view of the axle cap shown in FIG. 1.

FIG. 3 is a sectional front-top perspective view of the axle cap shown in FIG. 1 taken along lines 3-3 of FIG. 1; and, FIG. 4 is a perspective view thereof, shown in an environment of use and reduced in scale.

The broken lines represent a tire, axle end, lug nuts and words which form no part of the claimed design. The log dash-short-dash-long dash in FIG. 3 represents a boundary of the claim and forms no part of the claim. The cross-section marker and associated lines form no part of the claimed design.

1 Claim, 4 Drawing Sheets



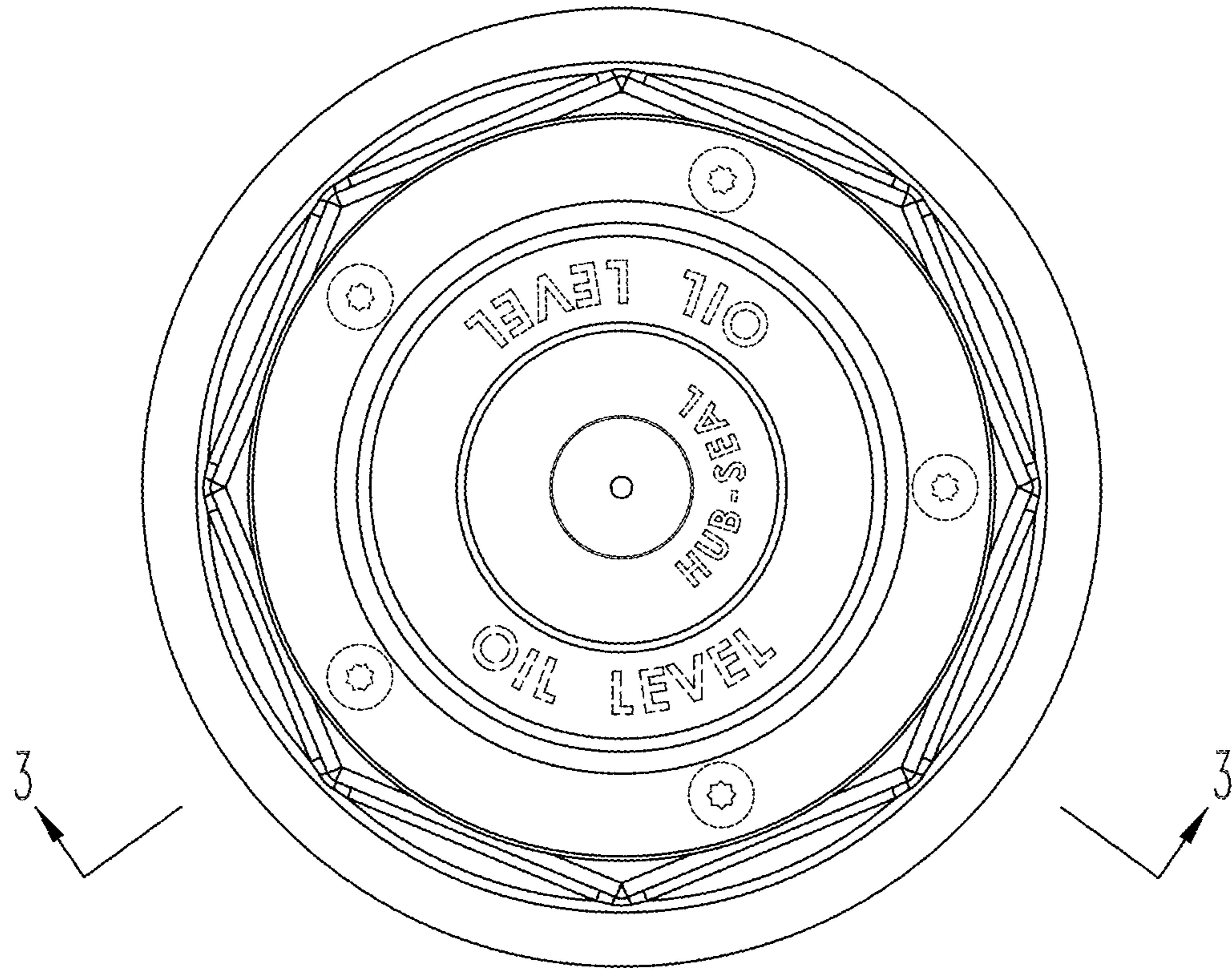


FIG. 1

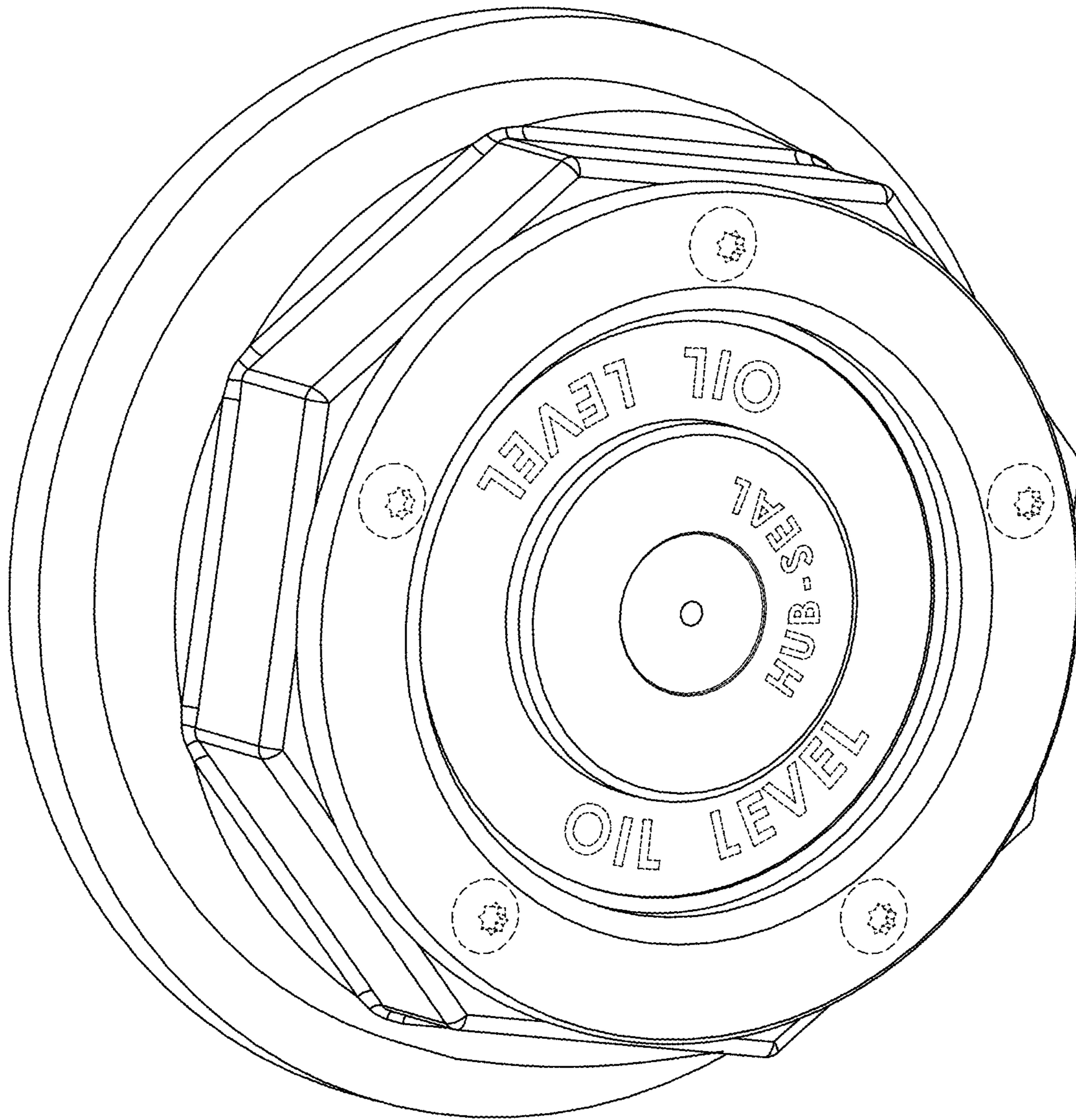


FIG. 2

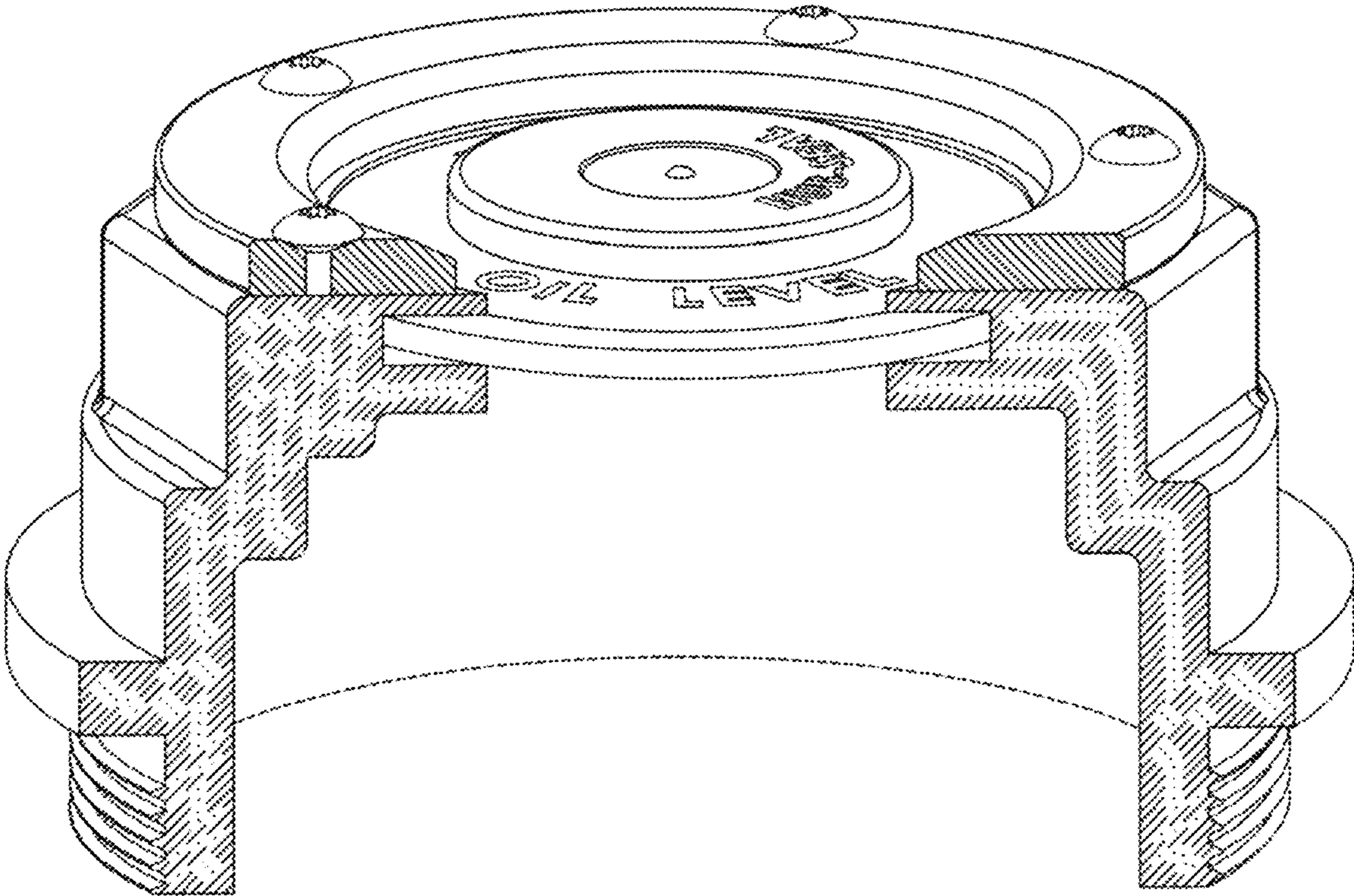


FIG. 3

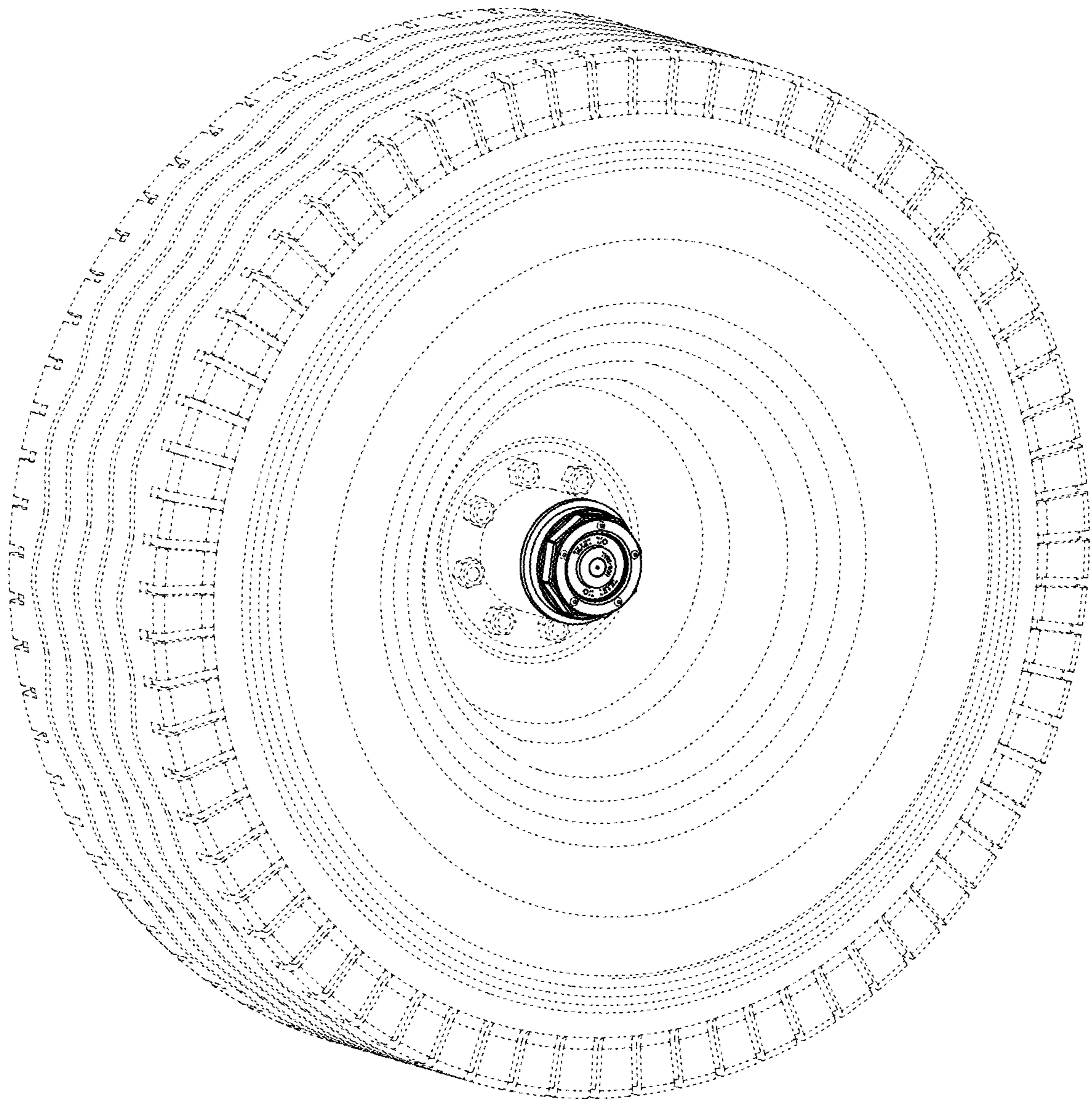


FIG. 4