



US00D874253S

(12) **United States Design Patent**
Eremita

(10) **Patent No.:** **US D874,253 S**
(45) **Date of Patent:** **** Feb. 4, 2020**

(54) **RACHETING POST FOR AN ELECTRONIC DEVICE PROTECTIVE CASE**

(71) Applicant: **Leather Pro, Inc.**, Sylmar, CA (US)

(72) Inventor: **Brian J. Eremita**, Sylmar, CA (US)

(73) Assignee: **Leather Pro, Inc.**, Sylmar, CA (US)

(**) Term: **15 Years**

(21) Appl. No.: **29/672,310**

(22) Filed: **Dec. 4, 2018**

(51) **LOC (12) Cl.** **08-08**

(52) **U.S. Cl.**
USPC **D8/394**; D8/373

(58) **Field of Classification Search**
USPC D8/356, 371, 373, 380, 394-396;
D19/65, 56
CPC . E04B 9/067; E04B 9/068; E04B 9/12; E04B
9/18; E04B 9/30; E04B 2009/062; E04C
2003/0413; E04C 2003/0439; E04C
2003/046

See application file for complete search history.

(56) **References Cited**

U.S. PATENT DOCUMENTS

5,054,170	A *	10/1991	Otrusina	A45F 5/02 224/197
5,839,173	A *	11/1998	Otrusina	A45F 5/02 24/595.1
5,915,610	A *	6/1999	Russell	A45F 5/02 224/197
6,095,465	A *	8/2000	Weck	A47G 1/20 248/205.3
D438,536	S *	3/2001	Willison	D14/253
D441,277	S *	5/2001	Bosgoed	D8/373
D455,066	S *	4/2002	Kolinen	D13/118
D467,792	S *	12/2002	Zadak	A47F 5/0823 D8/354

D484,778	S *	1/2004	French	D8/373
D492,187	S *	6/2004	Mottini	D8/354
6,955,280	B2 *	10/2005	Saitoh	B60R 11/0241 224/197
D559,661	S *	1/2008	Wohlford	D8/373
D566,518	S *	4/2008	Friedman	D8/323
D603,248	S *	11/2009	Bar-Erez	D8/373
D616,732	S *	6/2010	Brockington	D8/373
D637,068	S *	5/2011	Peart	D8/373
D651,069	S *	12/2011	Peart	D8/373

(Continued)

Primary Examiner — John Windmuller

(74) *Attorney, Agent, or Firm* — Social IP Law Group
LLP; Jonathan Pearce

(57) **CLAIM**

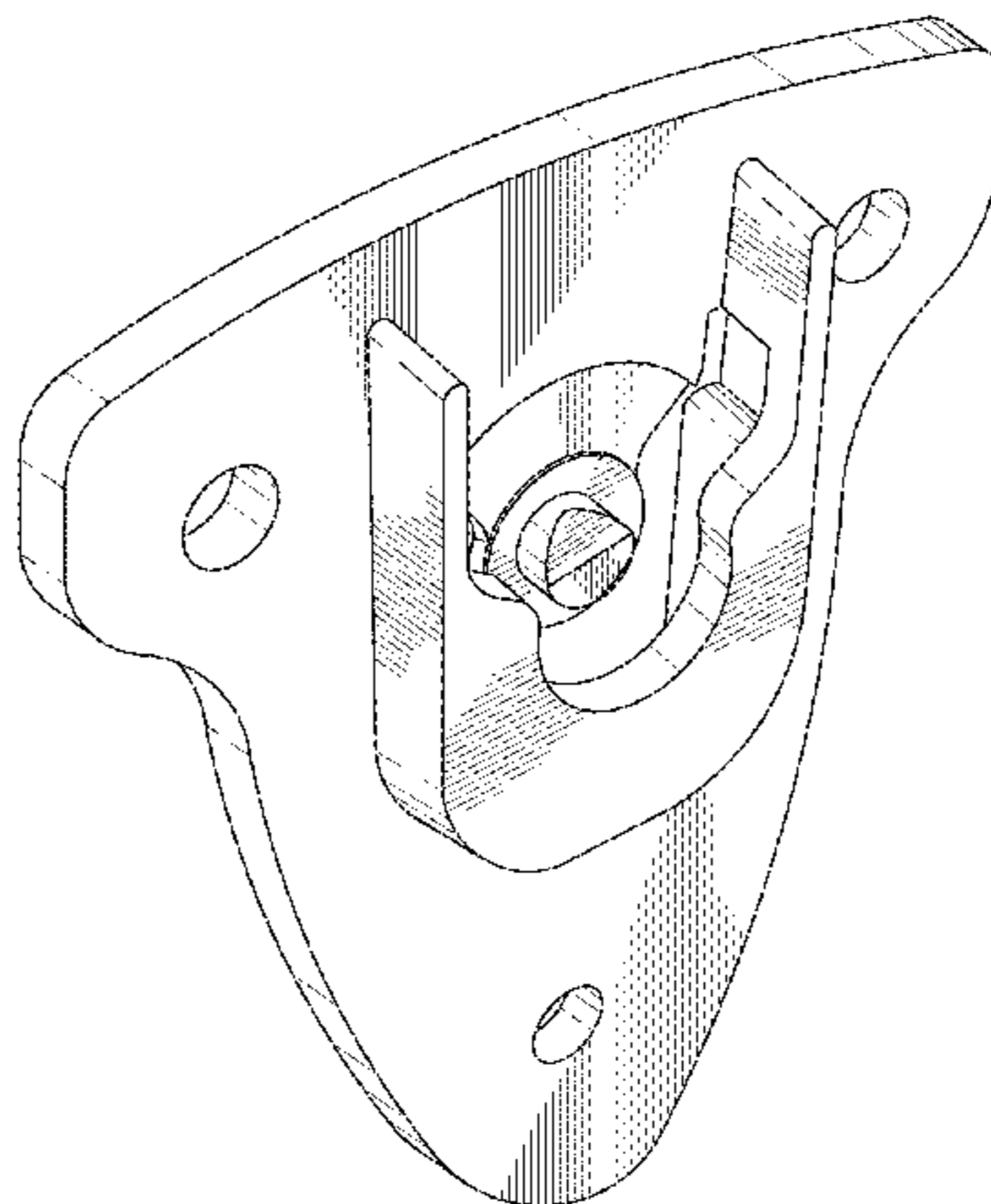
The ornamental design for a ratcheting post for an electronic device protective case, as shown and described.

DESCRIPTION

A portion of the disclosure of this patent document contains material which is subject to copyright protection. This patent document may show and/or describe matter which is or may become trade dress of the owner. The copyright and trade dress owner has no objection to the facsimile reproduction by anyone of the patent disclosure as it appears in the Patent and Trademark Office patent files or records, but otherwise reserves all copyright and trade dress rights whatsoever.

FIG. 1 is a perspective view of a ratcheting post for an electronic device protective case;
FIG. 2 is a rear perspective view thereof;
FIG. 3 is a front elevational view thereof;
FIG. 4 is a rear elevational view thereof;
FIG. 5 is a right-side elevational view thereof;
FIG. 6 is a left-side elevational view thereof;
FIG. 7 is a top plan view thereof; and,
FIG. 8 is a bottom plan view thereof.

1 Claim, 5 Drawing Sheets



(56)

References Cited

U.S. PATENT DOCUMENTS

8,499,986	B2 *	8/2013	Knight	A45F 5/021 224/197
8,919,623	B1 *	12/2014	Bergeron	A45F 5/02 224/148.4
D773,290	S *	12/2016	Green	D8/349
10,197,217	B2 *	2/2019	Will	A47G 1/16
10,258,136	B2 *	4/2019	Fiorello	A45F 5/021
2010/0213333	A1 *	8/2010	Mejia	A47G 1/20 248/220.21

* cited by examiner

FIG. 1

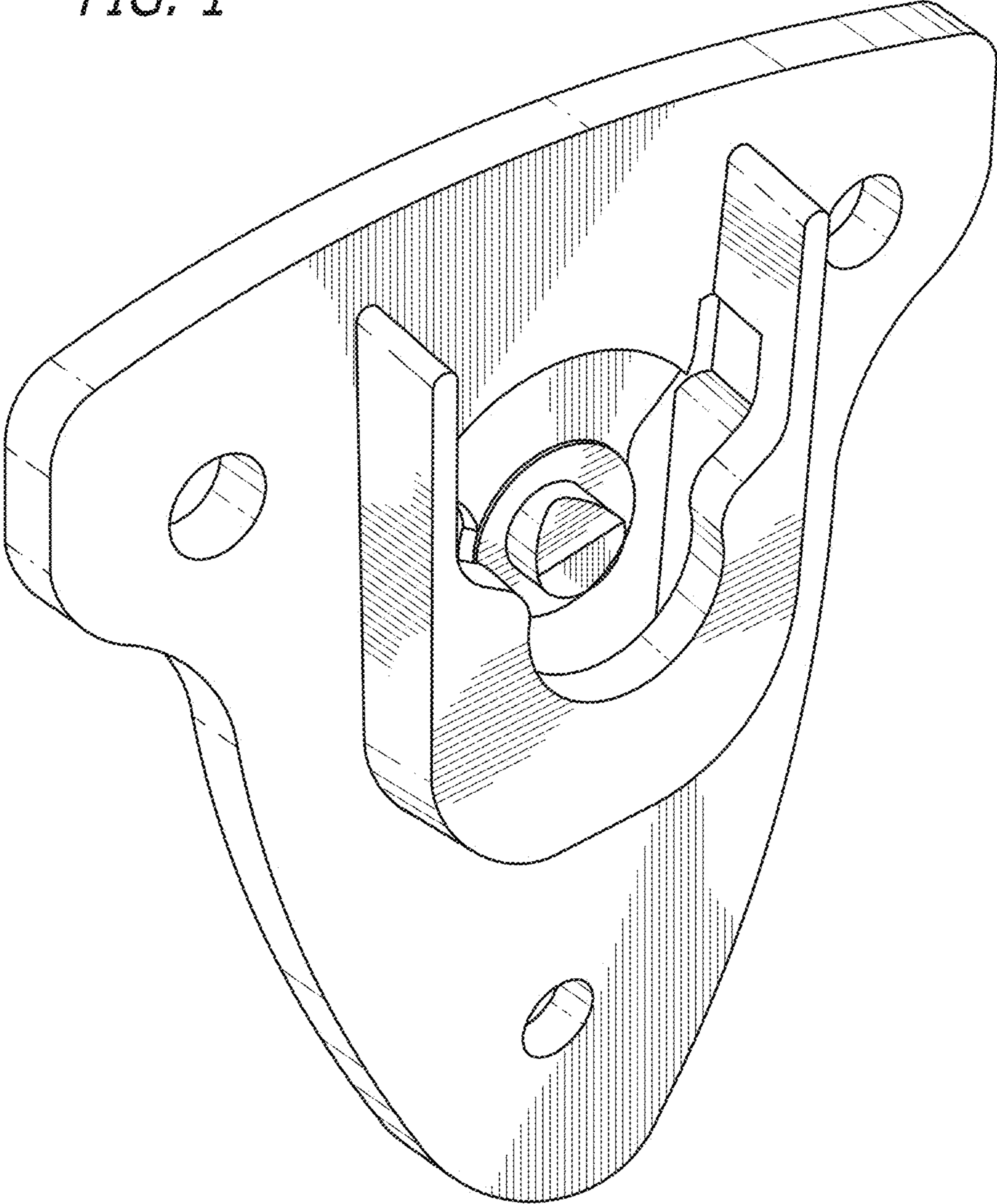
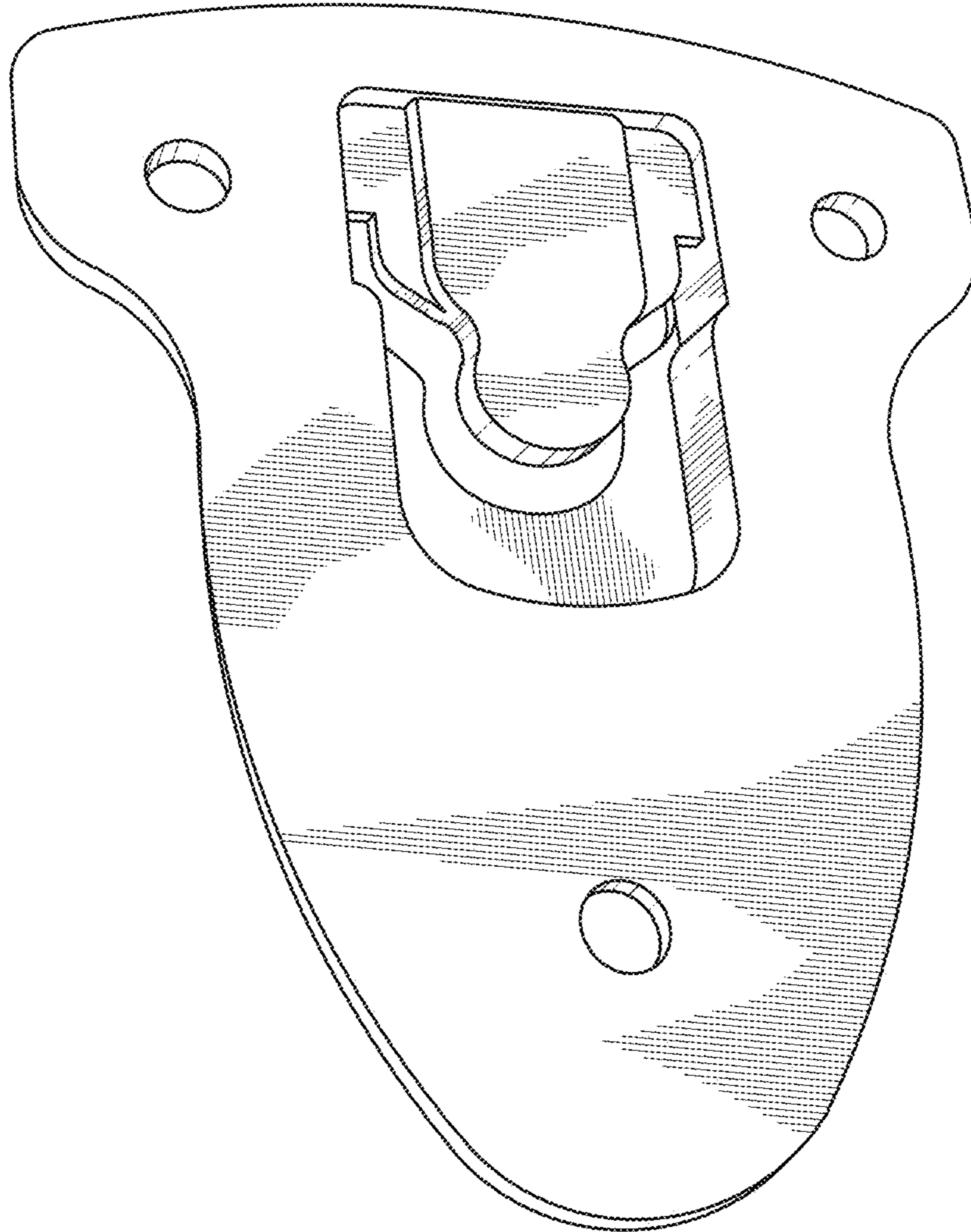


FIG. 2



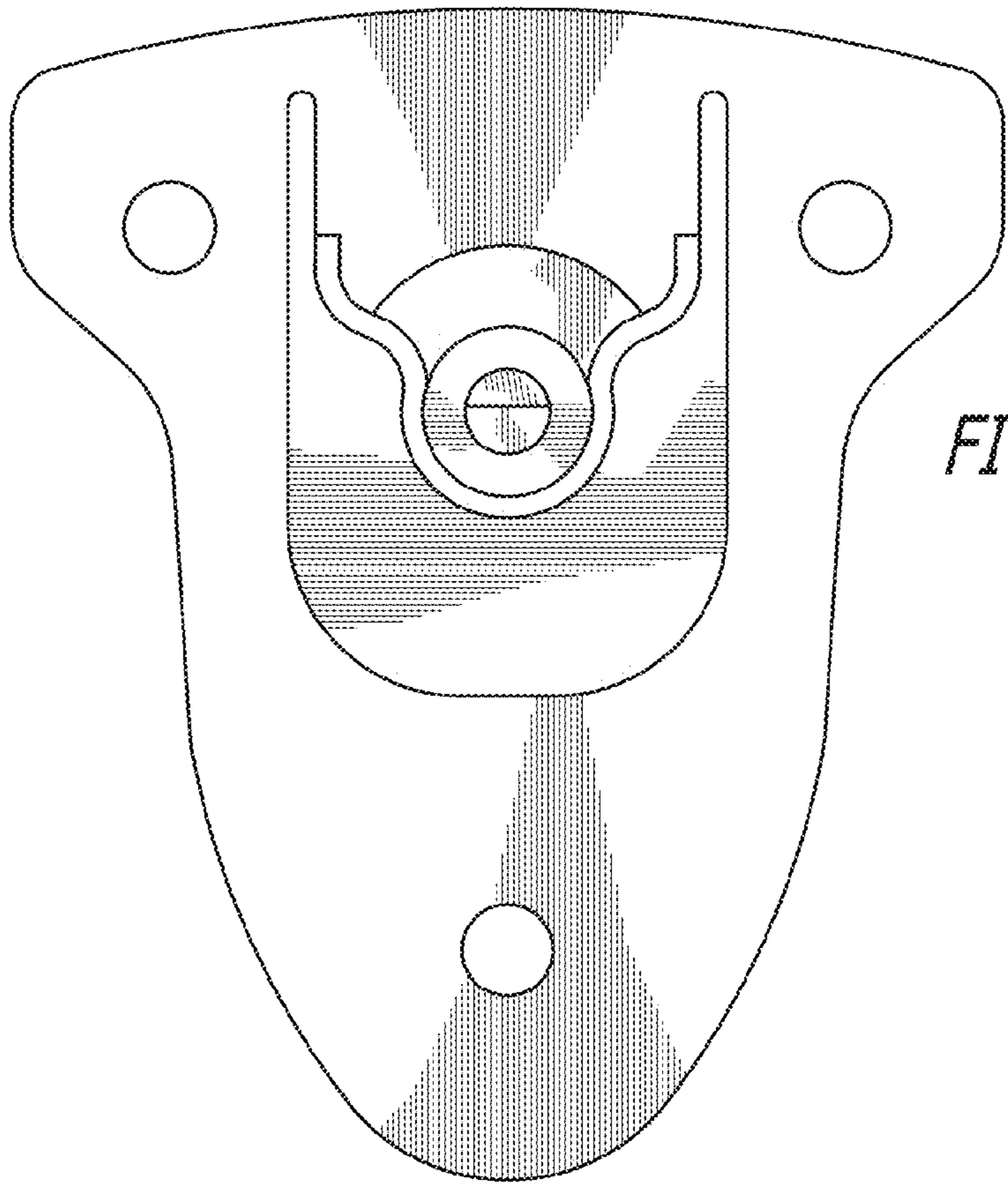


FIG. 3

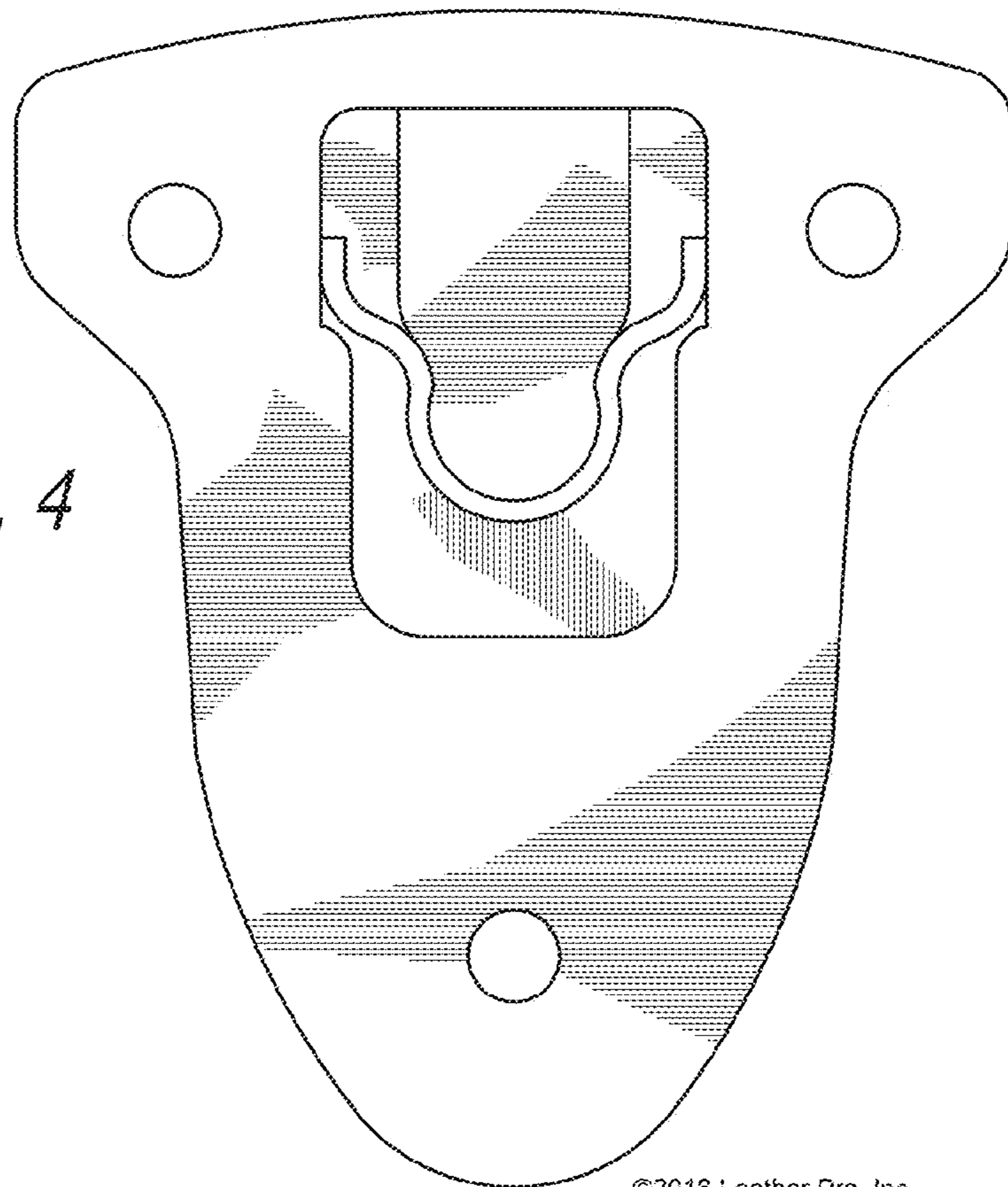


FIG. 4

FIG. 5

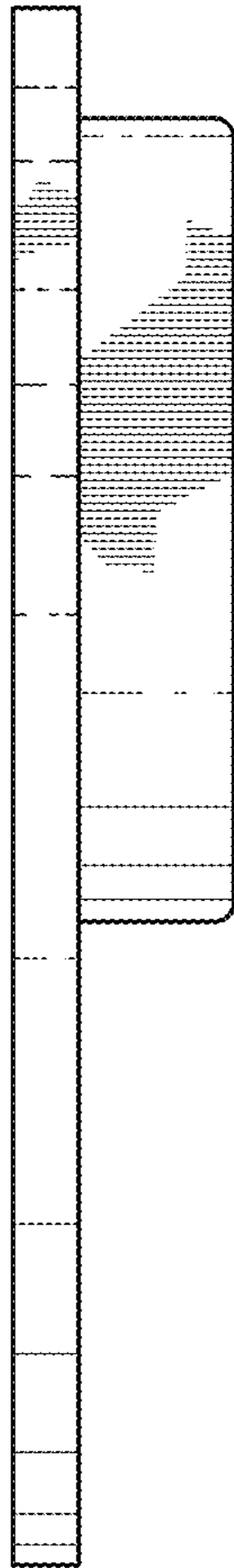


FIG. 6

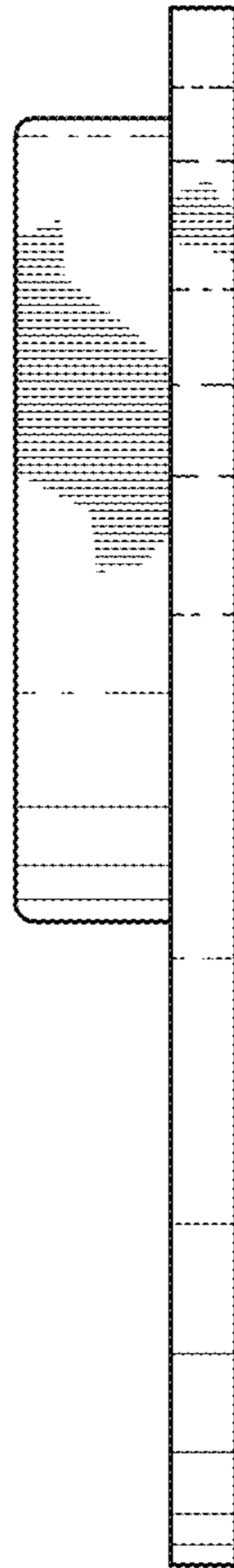


FIG. 7

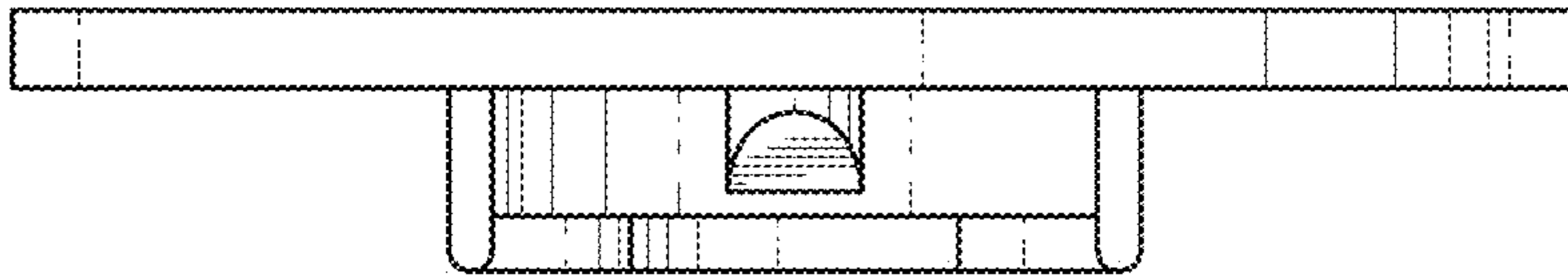


FIG. 8

