



US00D874250S

(12) **United States Design Patent**  
**Stoops**

(10) **Patent No.:** **US D874,250 S**

(45) **Date of Patent:** **\*\* Feb. 4, 2020**

(54) **EXPANDABLE BRACKET**

(71) Applicant: **Kevin R Stoops**, Bucyrus, KS (US)

(72) Inventor: **Kevin R Stoops**, Bucyrus, KS (US)

(\*\*) Term: **15 Years**

(21) Appl. No.: **29/629,850**

(22) Filed: **Dec. 15, 2017**

(51) **LOC (12) Cl.** ..... **08-05**

(52) **U.S. Cl.**  
USPC ..... **D8/355**

(58) **Field of Classification Search**  
USPC ..... D25/5, 6, 120, 121, 199; D8/349, 354,  
D8/355, 373, 380, 382

(Continued)

(56) **References Cited**

U.S. PATENT DOCUMENTS

D200,099 S \* 1/1965 Attwood ..... D25/121  
D211,082 S \* 5/1968 La Londe ..... D25/121

(Continued)

*Primary Examiner* — Janice Hallmark

*Assistant Examiner* — Harold E Blackwell, II

(74) *Attorney, Agent, or Firm* — Kutak Rock LLP

(57) **CLAIM**

The ornamental design for an expandable bracket, as shown and described.

**DESCRIPTION**

FIG. 1 is a perspective view of a first embodiment of an expandable bracket of the present invention, shown engaged with a back plate of a keyboard insert.

FIG. 2 is a front view of the expandable bracket of FIG. 1, the rear view being a mirror image thereof, the broken line showing of a boss forming no part of the claim.

FIG. 3 is a side elevation view of a first side of the expandable bracket of FIG. 1, the broken line showing of two bosses forming no part of the claim.

FIG. 4 is a side elevation view of a second side of the expandable bracket of FIG. 1, the broken line showing of two apertures forming no part of the claim.

FIG. 5 is a top plan view of the expandable bracket of FIG. 1, the broken line showing of three apertures forming no part of the claim.

FIG. 6 is a bottom plan view of the expandable bracket of FIG. 1, the broken line showing of three apertures forming no part of the claim.

FIG. 7 is a sectional view taken from FIG. 1 showing a screw in an engaged configuration, the broken line showing of an aperture, a screw, a threaded insert, and a recessed area forming no part of the claim.

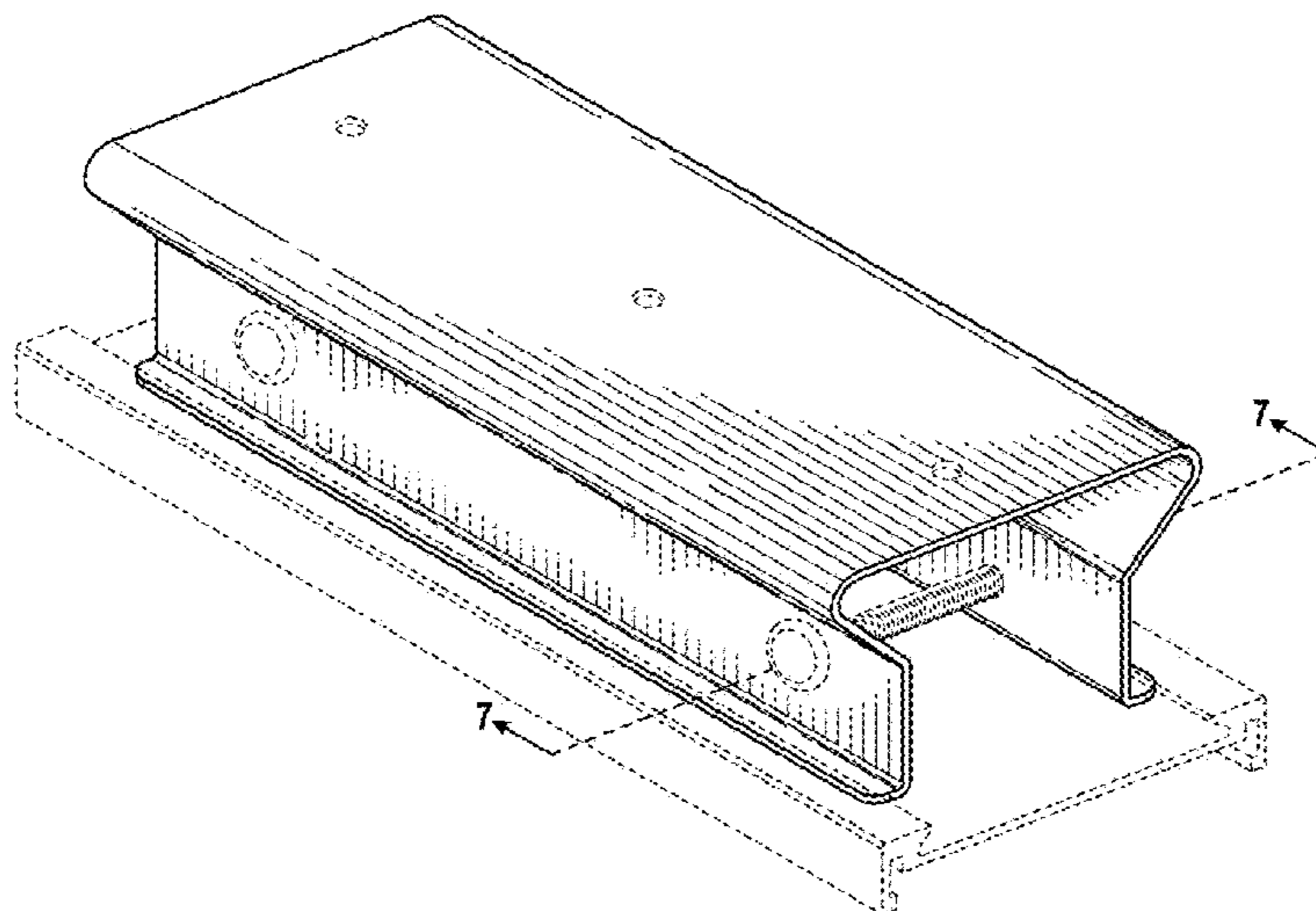
FIG. 8 is a sectional view similar to the sectional view of FIG. 7, the embodiment of FIG. 8 showing a recessed area without a corresponding boss and further showing a screw in a disengaged configuration while opposed legs of the expandable bracket remain engaged with respective opposed engagement features of the back plate of the keyboard insert, the broken line showing of the back plate, an aperture, a screw, a threaded insert, and a recessed area forming no part of the claim; and,

FIG. 9 is a sectional view similar to the sectional view of FIG. 8, the embodiment of FIG. 9 showing a screw in a disengaged configuration while one of the opposed legs of the expandable bracket is disengaged from a respective engagement feature of the back plate of the keyboard insert, the broken line showing of the back plate, an aperture, a screw, a threaded insert, and a recessed area forming no part of the claim.

The broken lines showing of a back plate of a keyboard insert are for the purpose of illustrating environment and form no part of the claim. The broken lines showing of a bolt and an insert are for showing optional features of the claimed design and form no part of the claim. The broken lines showing of bosses, apertures, and recesses are for showing optional features of the claimed design and form no part of the claim.

Shading forms no part of the claim.

**1 Claim, 5 Drawing Sheets**



(58) **Field of Classification Search**

CPC ..... A47B 47/0033; A47B 47/0008; A47B  
47/005; F16B 12/40; F16B 12/44; F16B  
12/46; F16B 12/50; Y10T 403/4602;  
Y10S 403/13

See application file for complete search history.

(56) **References Cited**

U.S. PATENT DOCUMENTS

D217,223 S \* 4/1970 Knohl ..... D8/382  
D221,141 S \* 7/1971 Wormser ..... D25/121  
D264,756 S \* 6/1982 Andersson ..... D25/126  
D342,011 S \* 12/1993 Maguire ..... D8/349  
D438,448 S \* 3/2001 Batting ..... D8/354  
D442,705 S \* 5/2001 Eaton ..... D25/121  
D507,665 S \* 7/2005 Ryan ..... D25/119  
D615,848 S \* 5/2010 Prichard ..... D8/354  
D621,963 S \* 8/2010 Zadeh ..... E04B 2/767  
D25/121  
D644,339 S \* 8/2011 Sutton ..... D25/121  
D767,166 S \* 9/2016 Sparks ..... D25/121  
D782,289 S \* 3/2017 Darby ..... D8/354  
D802,167 S \* 11/2017 Gyetvai ..... D25/119  
D821,851 S \* 7/2018 Stahl ..... D8/354  
D822,455 S \* 7/2018 Stahl ..... D8/354  
D823,095 S \* 7/2018 Stahl ..... D8/354  
D834,921 S \* 12/2018 Rose ..... D8/354  
2017/0191254 A1\* 7/2017 Daudet ..... E04B 2/763  
2017/0336875 A1\* 11/2017 Stoops ..... G06F 3/0202

\* cited by examiner

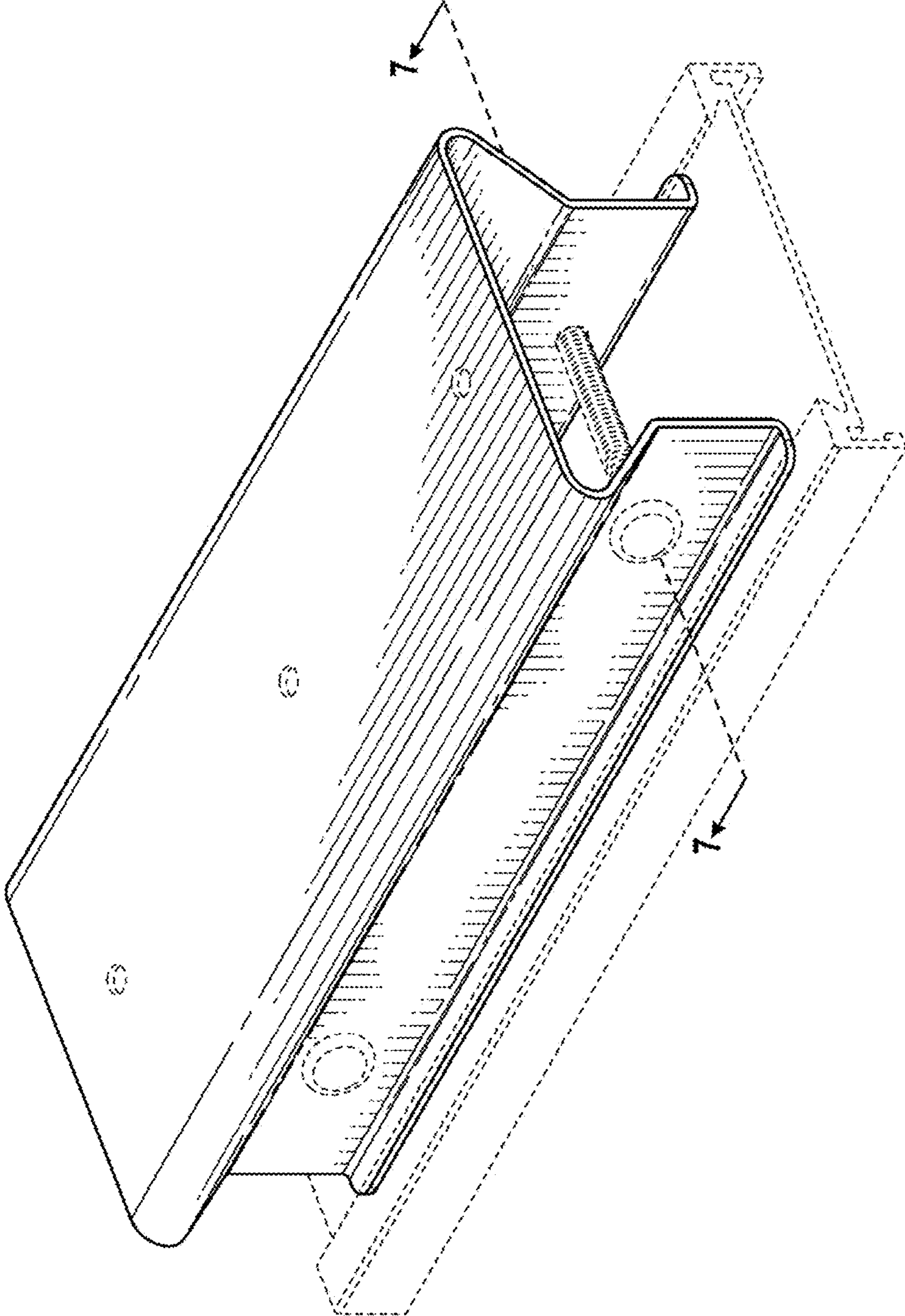


FIG. 1

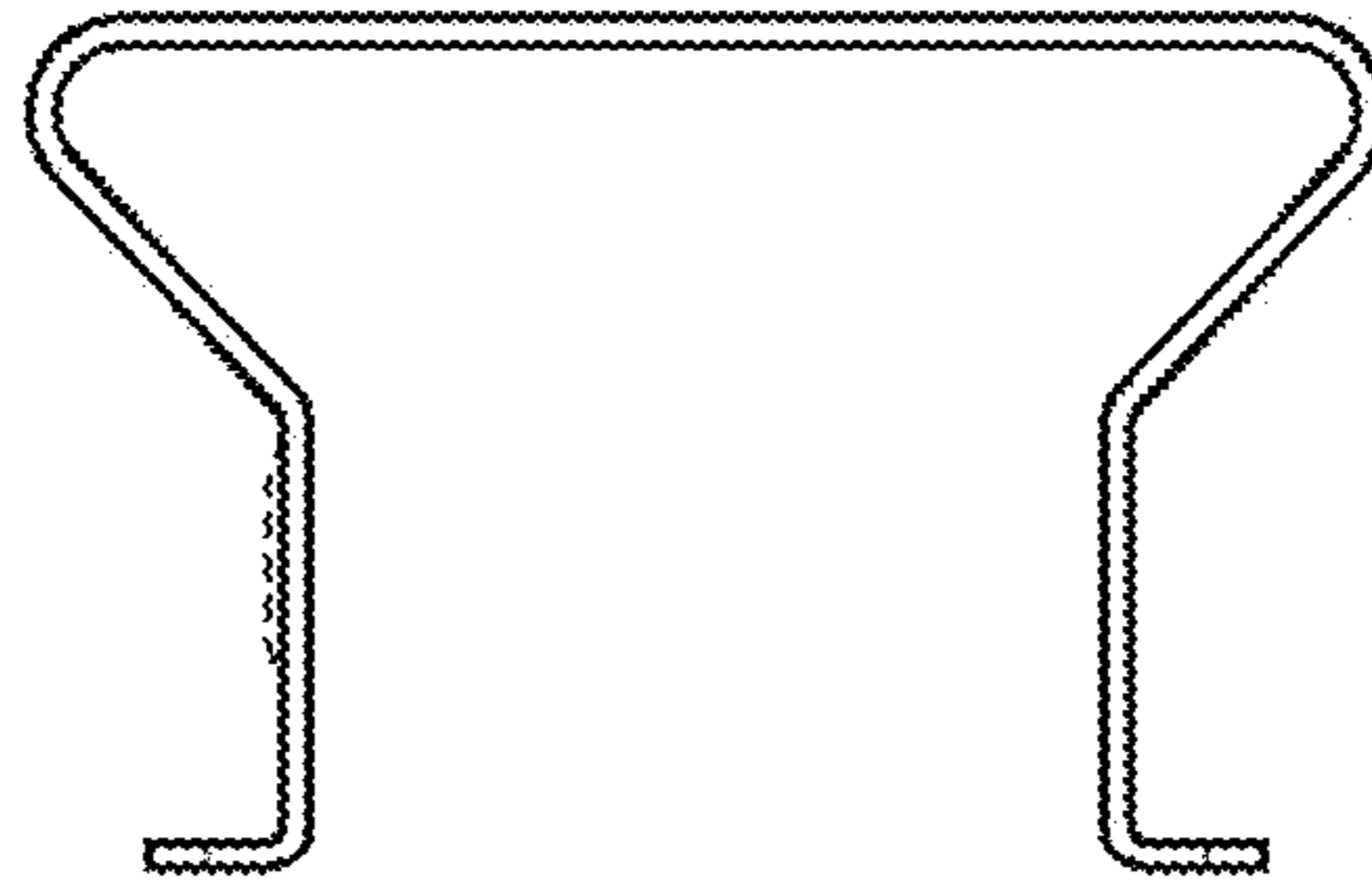


FIG. 2

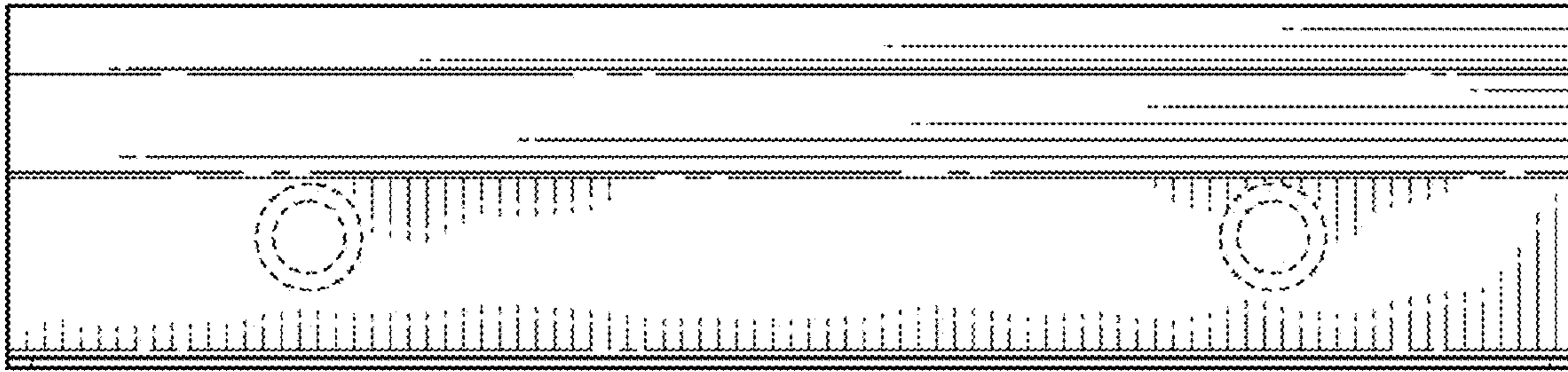


FIG. 3

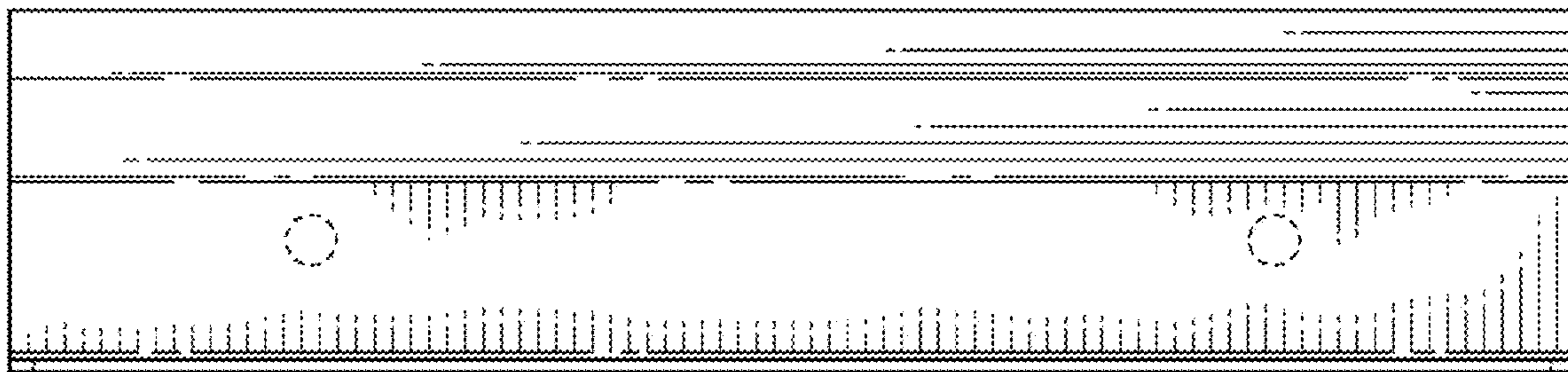


FIG. 4

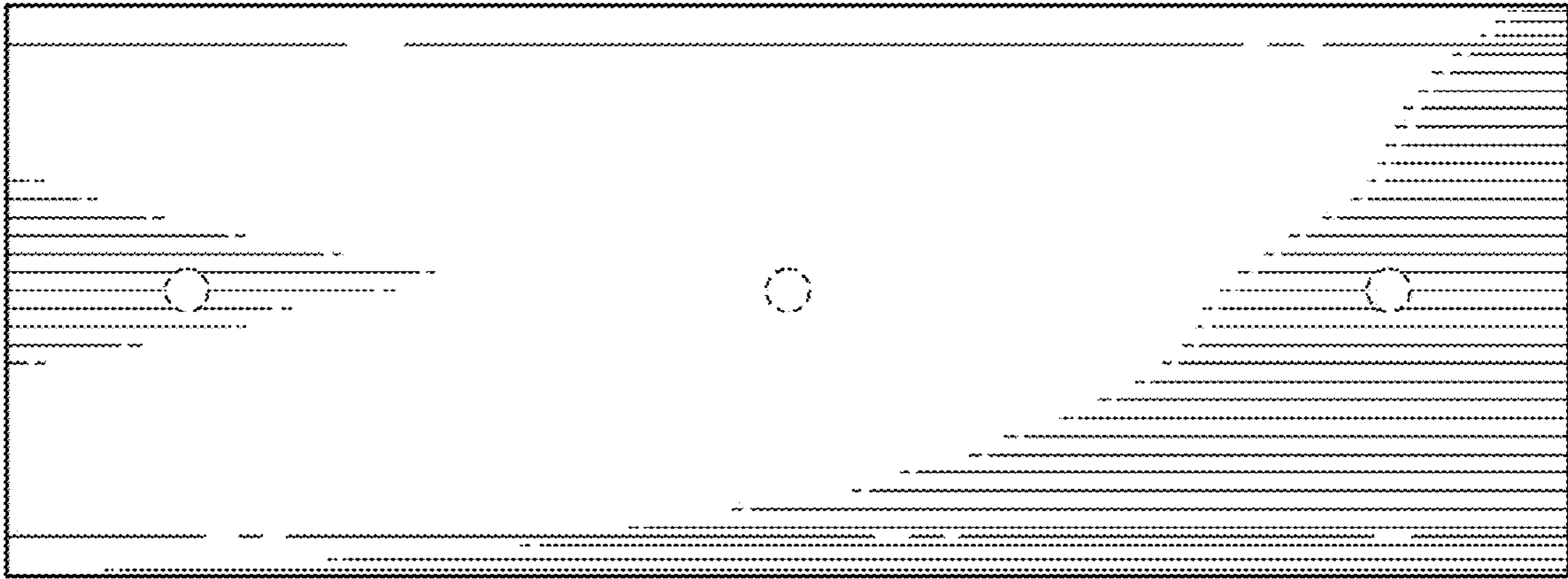


FIG. 5

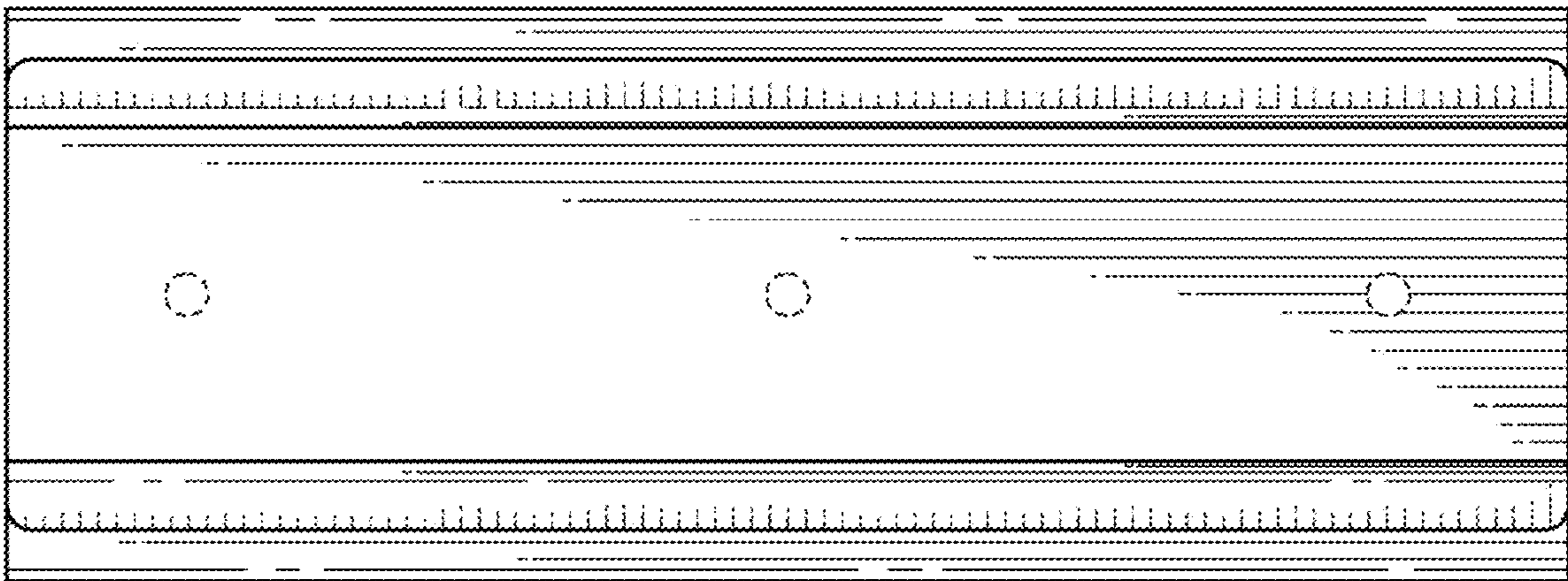


FIG. 6

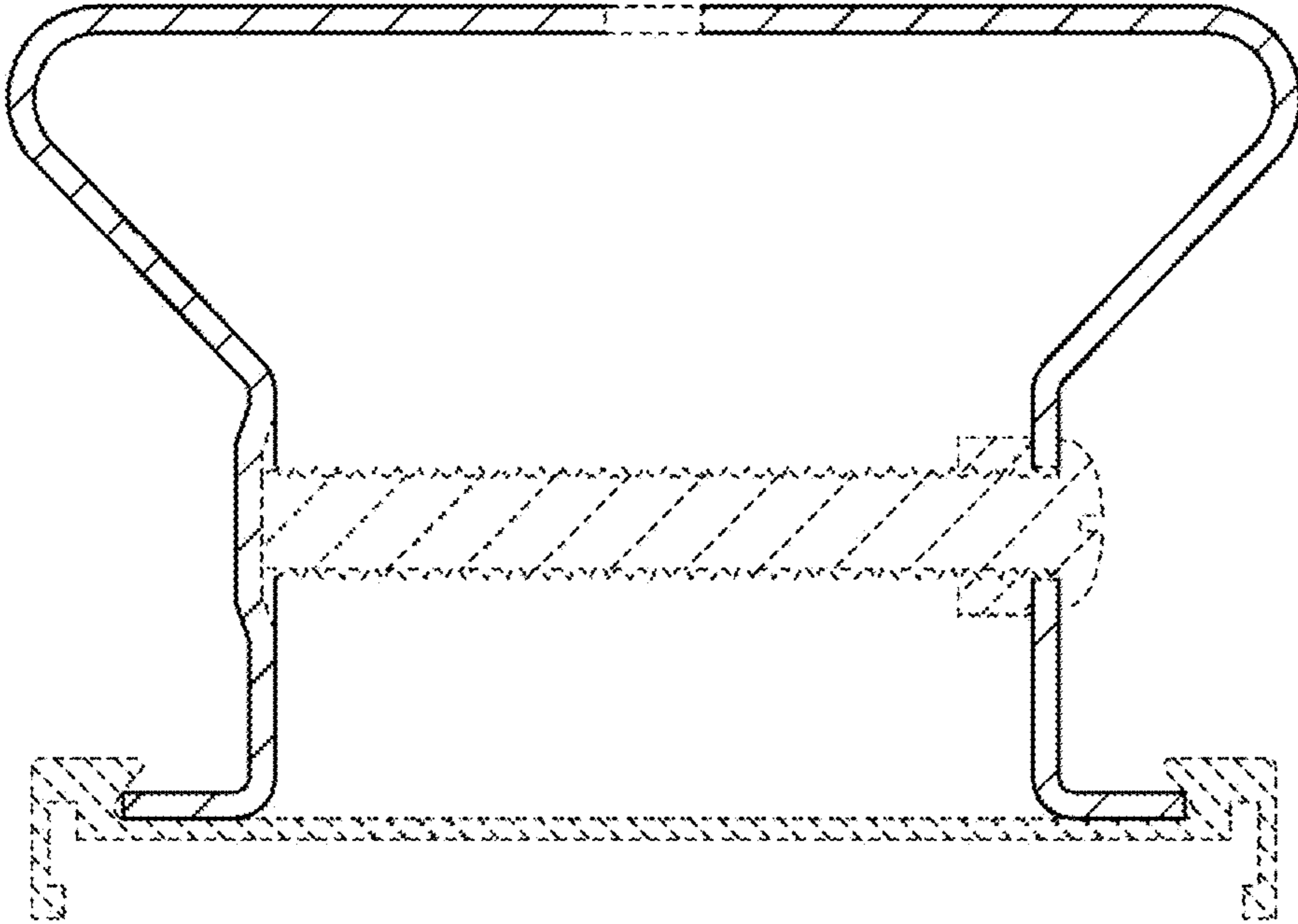


FIG. 7

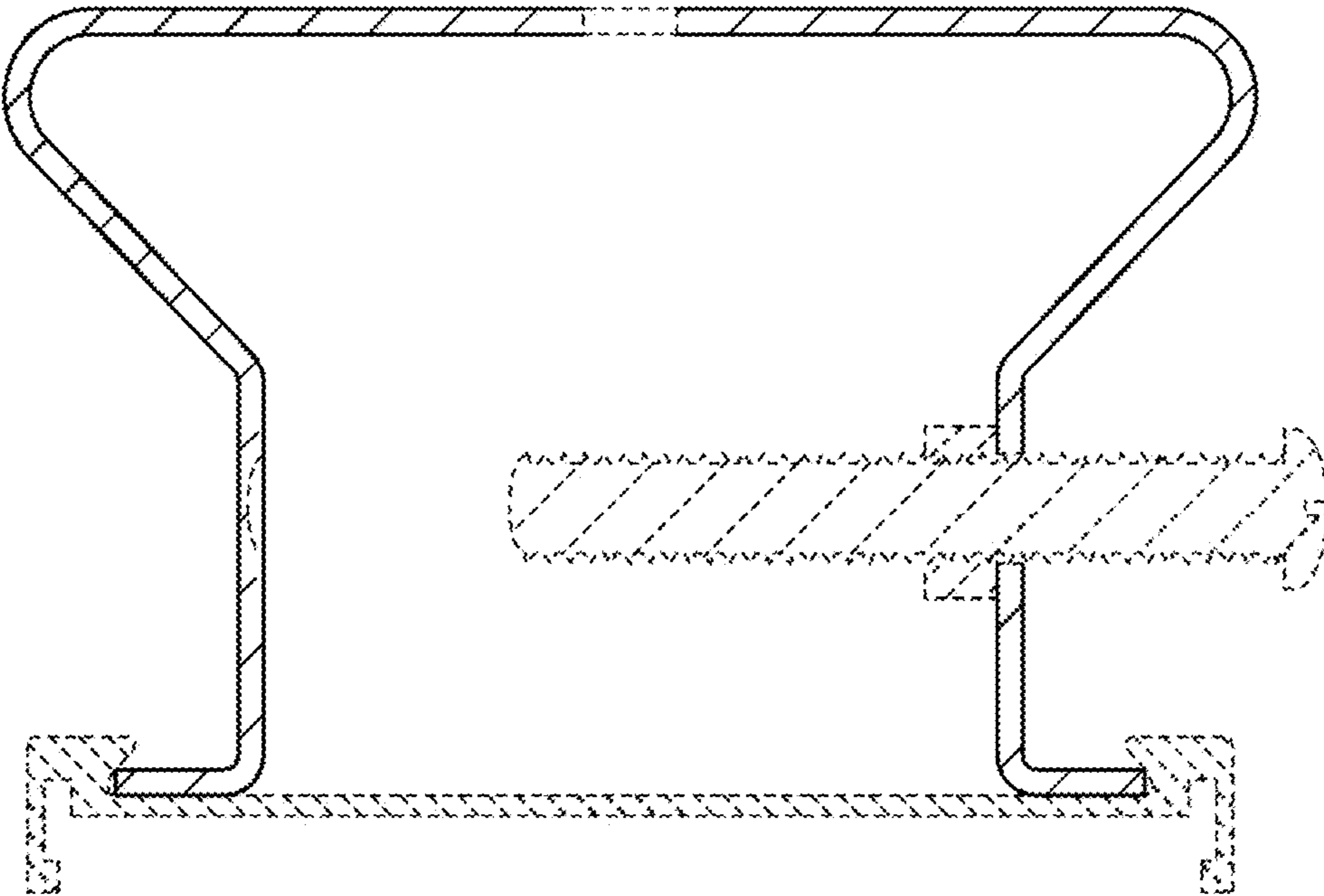


FIG. 8

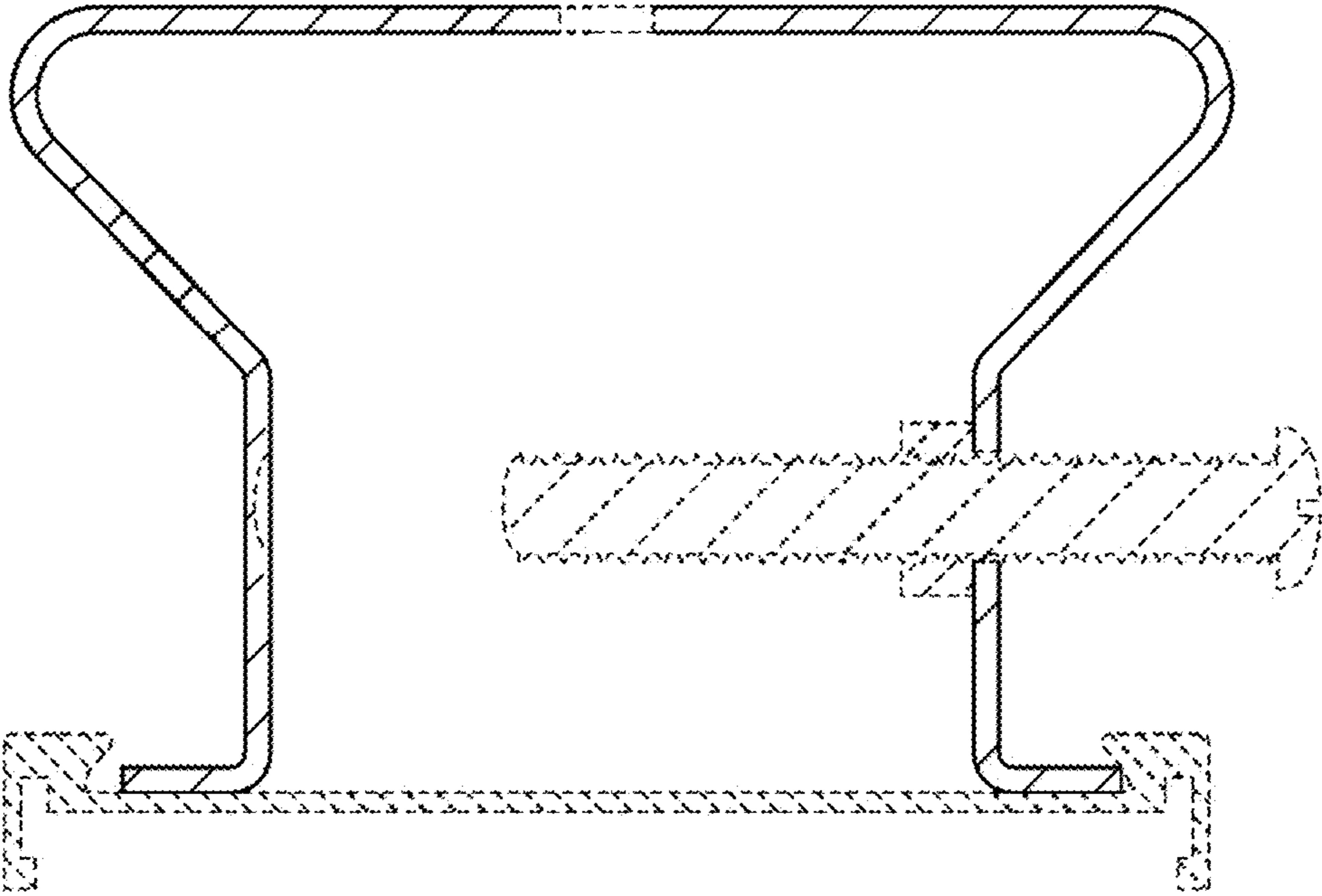


FIG. 9