



US00D874248S

(12) **United States Design Patent** (10) **Patent No.:** **US D874,248 S**
Stekr et al. (45) **Date of Patent:** **** Feb. 4, 2020**

(54) **OPEN ENDED CROSS BRACKET**
(71) Applicant: **PerfectVision Manufacturing, Inc.**,
Little Rock, AR (US)
(72) Inventors: **Scott Stekr**, Littleton, CO (US);
Dominic Newnham, Centennial, CO
(US); **Brenton Barton**, Golden, CO
(US)
(73) Assignee: **PerfectVision Manufacturing, Inc.**,
Little Rock, AR (US)

(**) Term: **15 Years**

(21) Appl. No.: **29/678,654**

(22) Filed: **Jan. 30, 2019**

(51) **LOC (12) Cl.** **08-05**

(52) **U.S. Cl.**
USPC **D8/354**

(58) **Field of Classification Search**
USPC D8/349, 352, 353, 354, 366, 367, 371,
D8/372, 373, 380, 499, 328
CPC E04G 7/02; Y10T 403/39
See application file for complete search history.

(56) **References Cited**

U.S. PATENT DOCUMENTS

1,848,085 A * 3/1932 Eisenschmidt E04G 7/02
403/187
D265,051 S * 6/1982 Hentzschel D8/354

D272,987 S * 3/1984 Allen D8/354
D275,450 S * 9/1984 Wegener, II D8/373
D341,075 S * 11/1993 Quinkert D8/354
D375,040 S * 10/1996 Miyashita D8/382
D492,889 S * 7/2004 Craine D8/354
D523,735 S * 6/2006 Craine D8/354
D538,634 S * 3/2007 King D8/380
9,464,665 B2 * 10/2016 Heath F16L 3/16
D775,512 S * 1/2017 White D8/354
D798,135 S * 9/2017 Doupnik D8/382
10,100,508 B1 * 10/2018 Fox E04B 1/2608
10,202,766 B1 * 2/2019 Fox E04B 1/2604
10,358,811 B1 * 7/2019 Fox E04B 1/2604
D858,255 S * 9/2019 Fox D8/354
2019/0267696 A1 * 8/2019 Stekr H01Q 1/1207

* cited by examiner

Primary Examiner — Keli L Hill

Assistant Examiner — Harold E Blackwell, II

(74) *Attorney, Agent, or Firm* — David Gershner

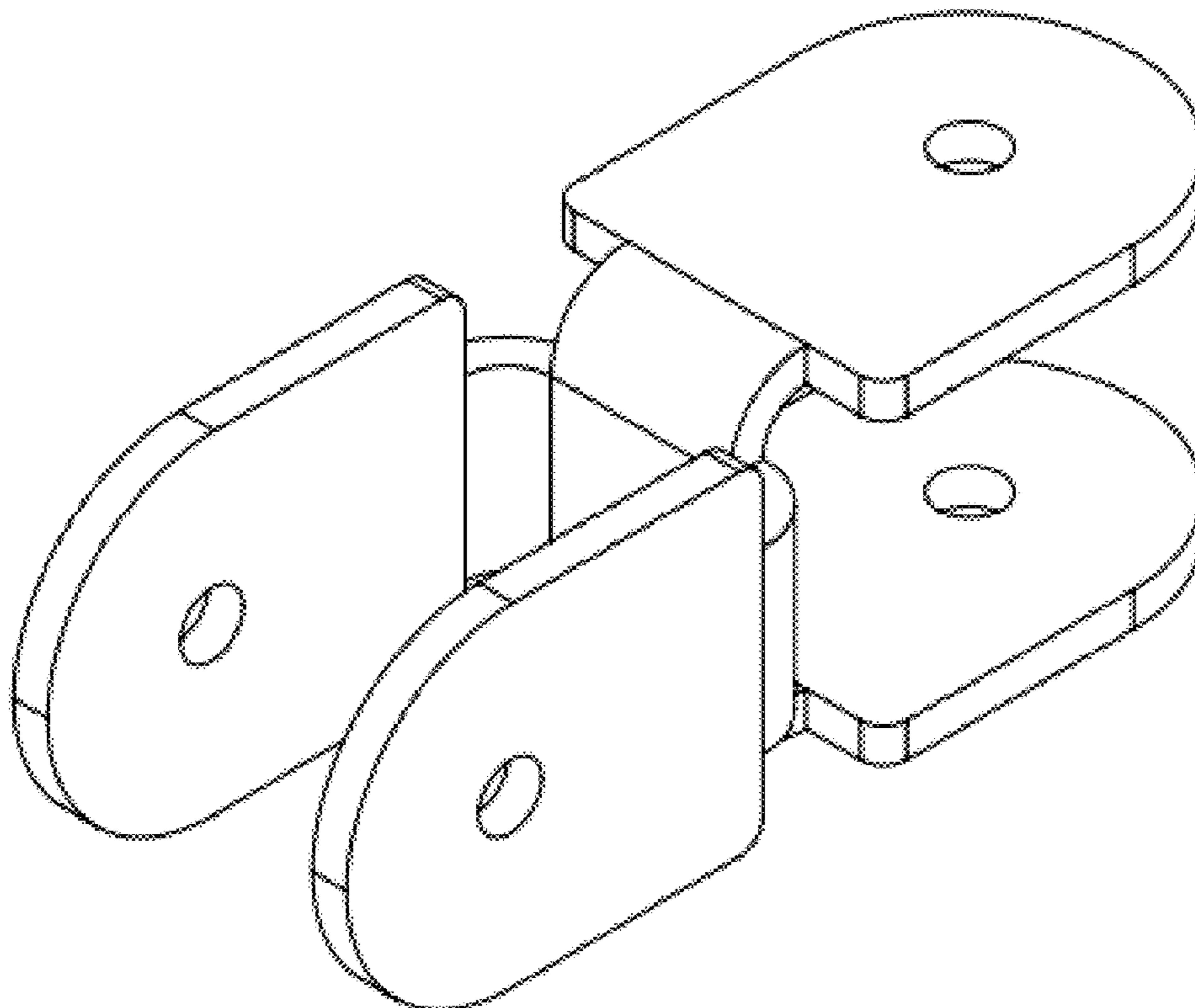
(57) **CLAIM**

The ornamental design for an open ended cross bracket, as shown and described.

DESCRIPTION

FIG. 1 is a top plan view of an open ended cross bracket showing our new design;
FIG. 2 is a top right side perspective view thereof;
FIG. 3 is a front elevational view thereof; and,
FIG. 4 is a right side elevational view thereof.

1 Claim, 2 Drawing Sheets



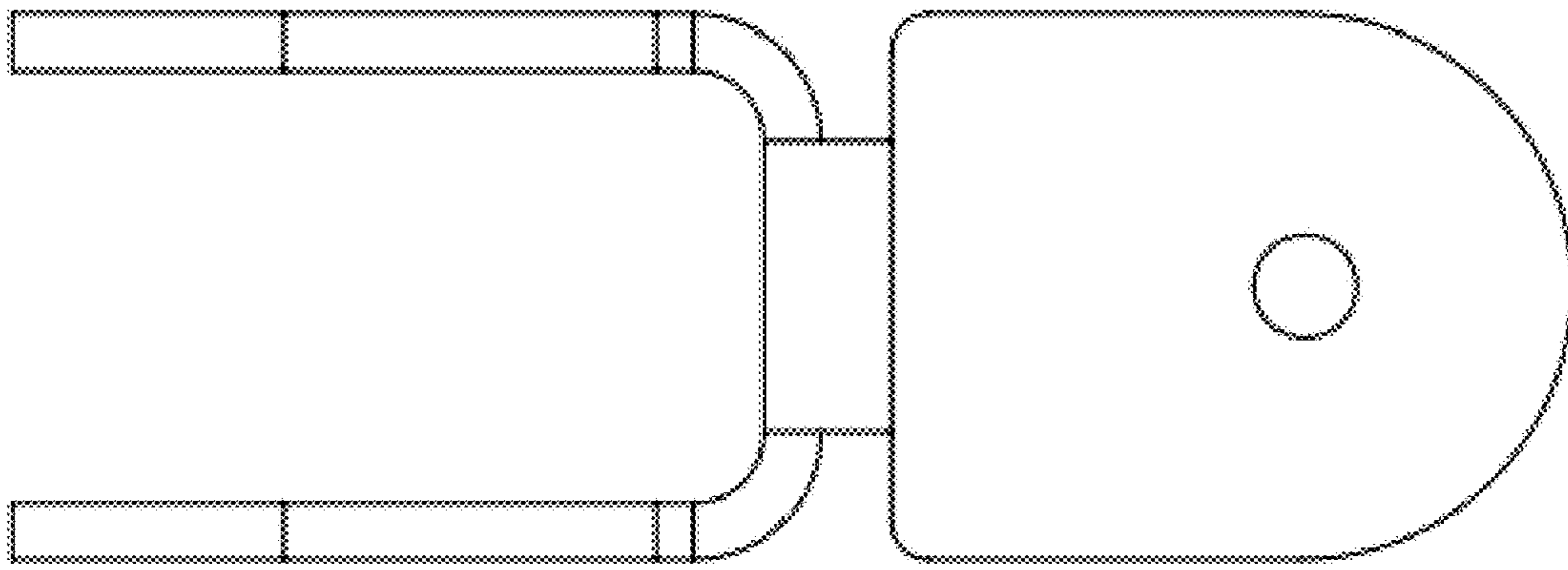


Fig. 1

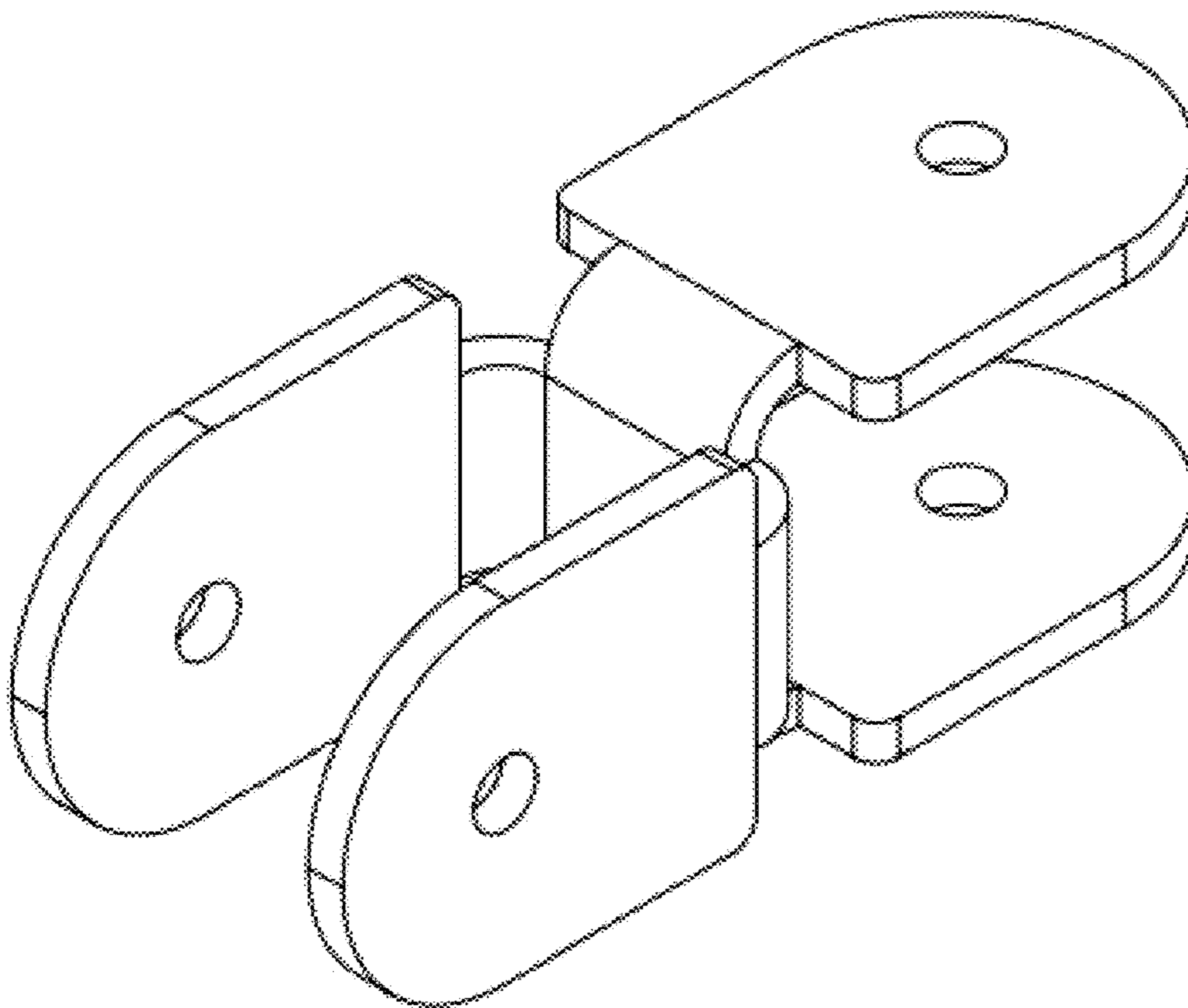


Fig. 2

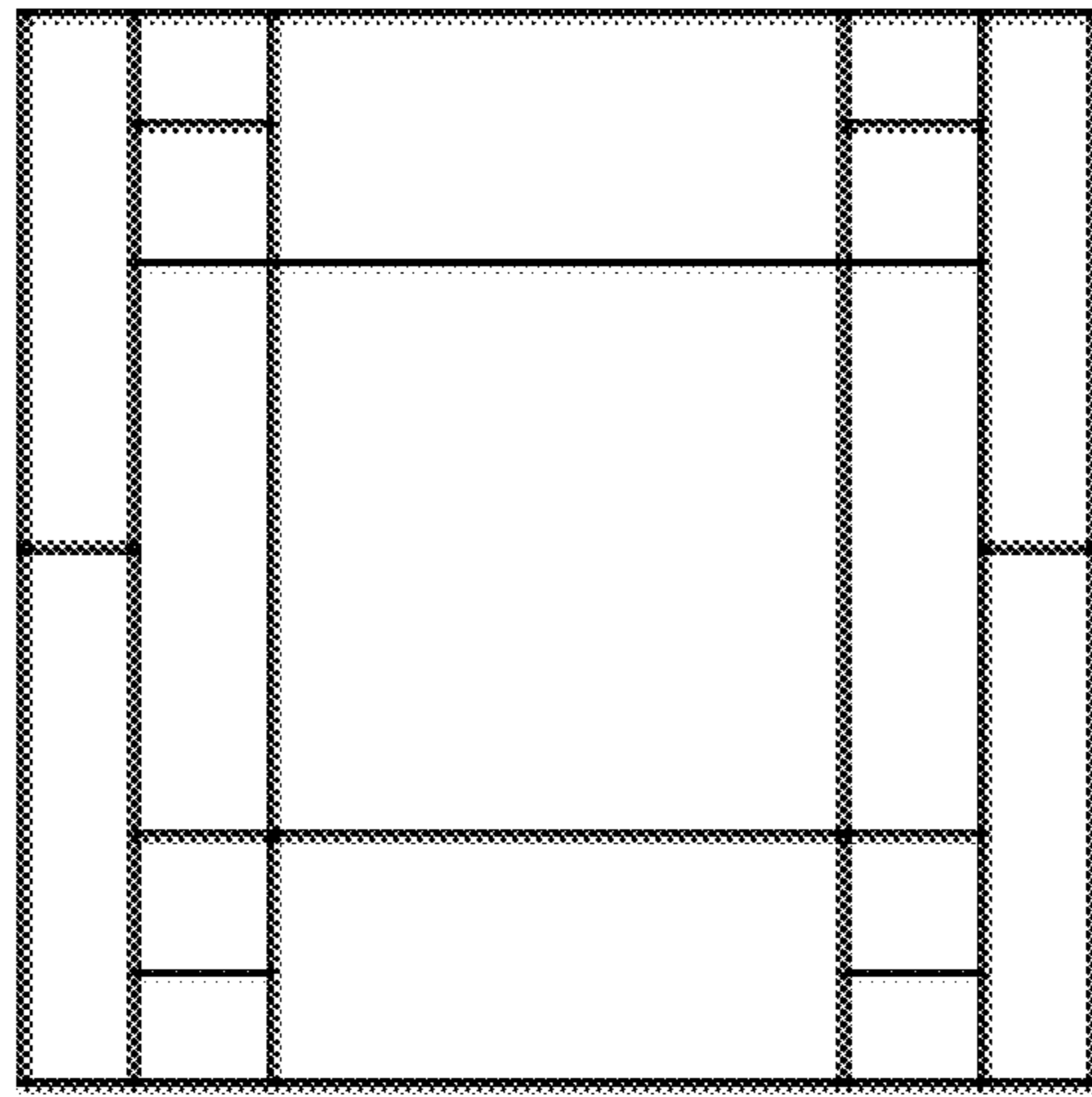


Fig. 3

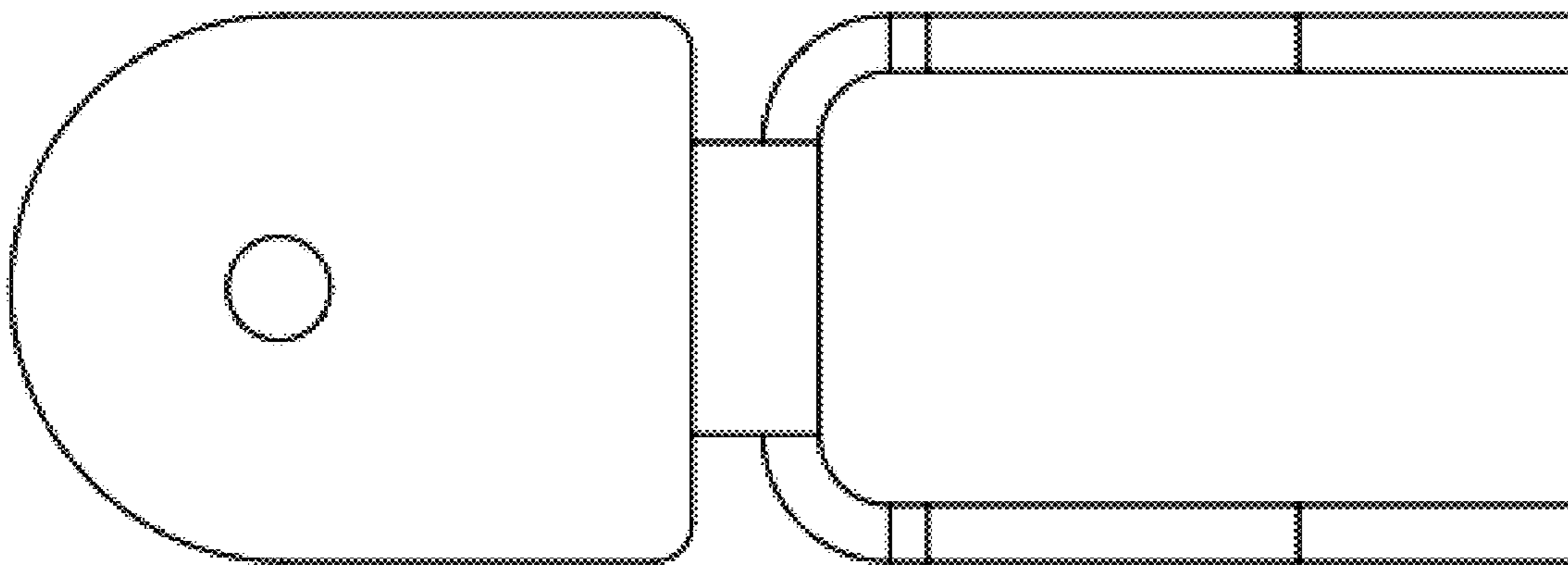


Fig. 4