



US00D874247S

(12) **United States Design Patent**  
**Stekr et al.**

(10) **Patent No.:** **US D874,247 S**

(45) **Date of Patent:** **\*\* Feb. 4, 2020**

(54) **OPEN ENDED CROSS BRACKET**

(71) Applicant: **PerfectVision Manufacturing, Inc.**,  
Little Rock, AR (US)

(72) Inventors: **Scott Stekr**, Littleton, CO (US);  
**Dominic Newnham**, Centennial, CO  
(US); **Brenton Barton**, Golden, CO  
(US)

(73) Assignee: **PerfectVision Manufacturing, Inc.**,  
Little Rock, AR (US)

(\*\*) Term: **15 Years**

(21) Appl. No.: **29/678,646**

(22) Filed: **Jan. 30, 2019**

(51) **LOC (12) Cl.** ..... **08-05**

(52) **U.S. Cl.**  
USPC ..... **D8/354**

(58) **Field of Classification Search**  
USPC ..... D8/349, 352, 353, 354, 366, 367, 371,  
D8/372, 373, 380, 499, 328  
CPC ..... E04G 7/02; Y10T 403/39  
See application file for complete search history.

(56) **References Cited**

**U.S. PATENT DOCUMENTS**

1,848,085 A \* 3/1932 Eisenschmidt ..... E04G 7/02  
403/187  
D265,051 S \* 6/1982 Hentzschel ..... D8/354

D272,987 S \* 3/1984 Allen ..... D8/354  
D275,450 S \* 9/1984 Wegener, II ..... D8/373  
D341,075 S \* 11/1993 Quinkert ..... D8/354  
D375,040 S \* 10/1996 Miyashita ..... D8/382  
D492,889 S \* 7/2004 Craine ..... D8/354  
D523,735 S \* 6/2006 Craine ..... D8/354  
D538,634 S \* 3/2007 King ..... D8/380  
9,464,665 B2 \* 10/2016 Heath ..... F16L 3/16  
D775,512 S \* 1/2017 White ..... D8/354  
D798,135 S \* 9/2017 Doupnik ..... D8/382  
10,100,508 B1 \* 10/2018 Fox ..... E04B 1/2608  
10,202,766 B1 \* 2/2019 Fox ..... E04B 1/2604  
10,358,811 B1 \* 7/2019 Fox ..... E04B 1/2604  
D858,255 S \* 9/2019 Fox ..... D8/354  
2019/0267696 A1 \* 8/2019 Stekr ..... H01Q 1/1207

\* cited by examiner

*Primary Examiner* — Keli L Hill

*Assistant Examiner* — Harold E Blackwell, II

(74) *Attorney, Agent, or Firm* — David Gershner

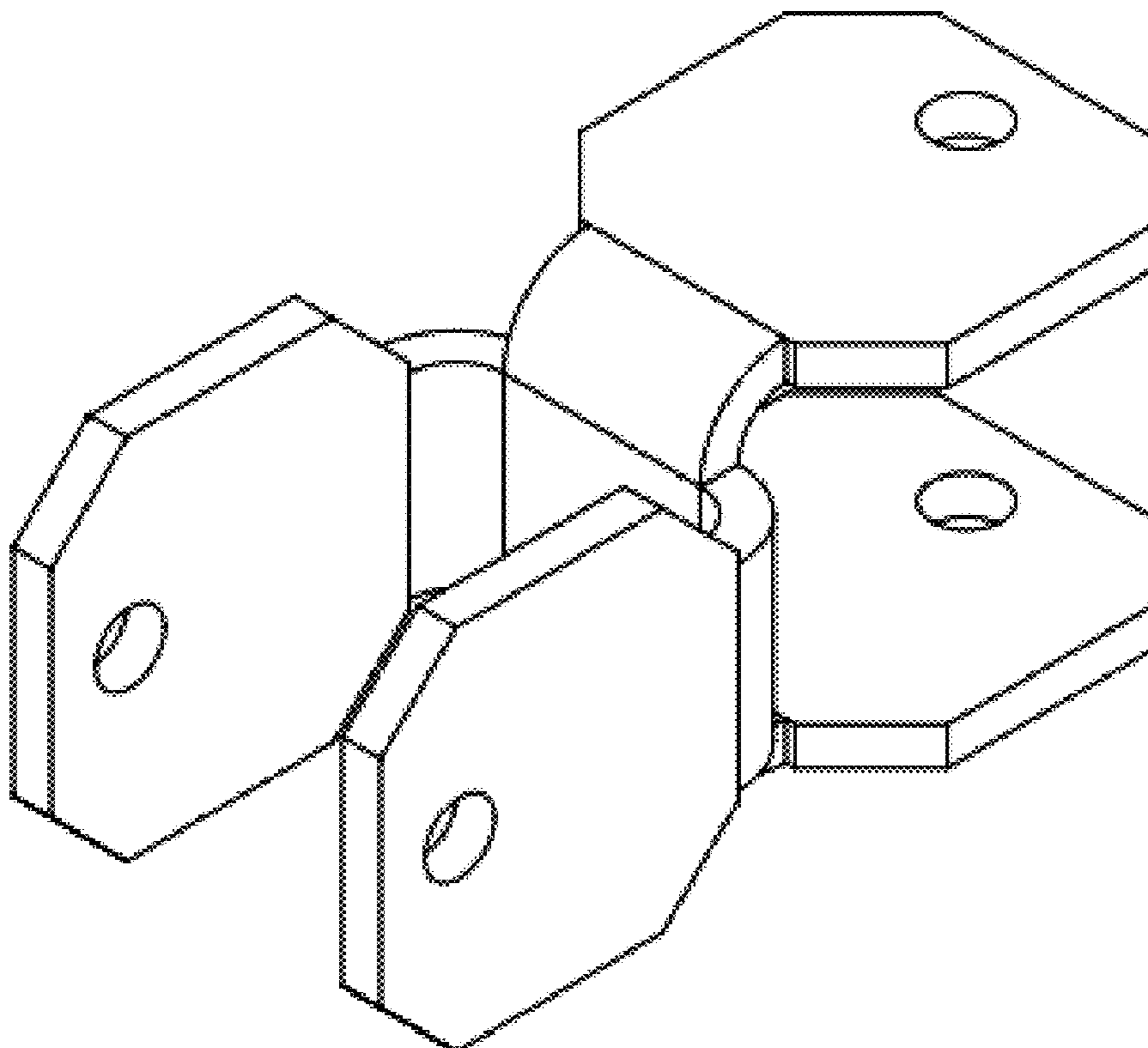
(57) **CLAIM**

The ornamental design for an open ended cross bracket, as shown and described.

**DESCRIPTION**

FIG. 1 is a top plan view of an open ended cross bracket showing our new design;  
FIG. 2 is a top right side perspective view thereof;  
FIG. 3 is a front elevational view thereof; and,  
FIG. 4 is a right side elevational view thereof.

**1 Claim, 2 Drawing Sheets**



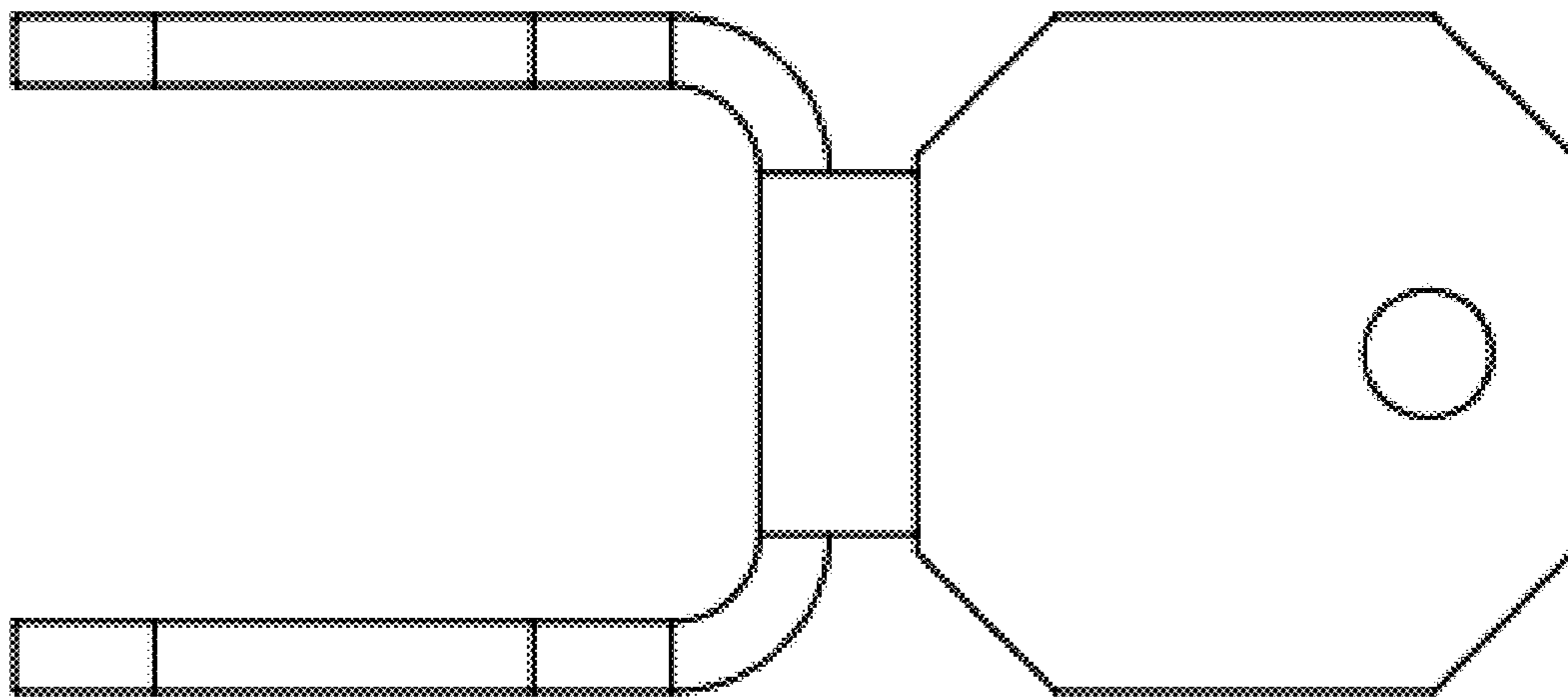


Fig. 1

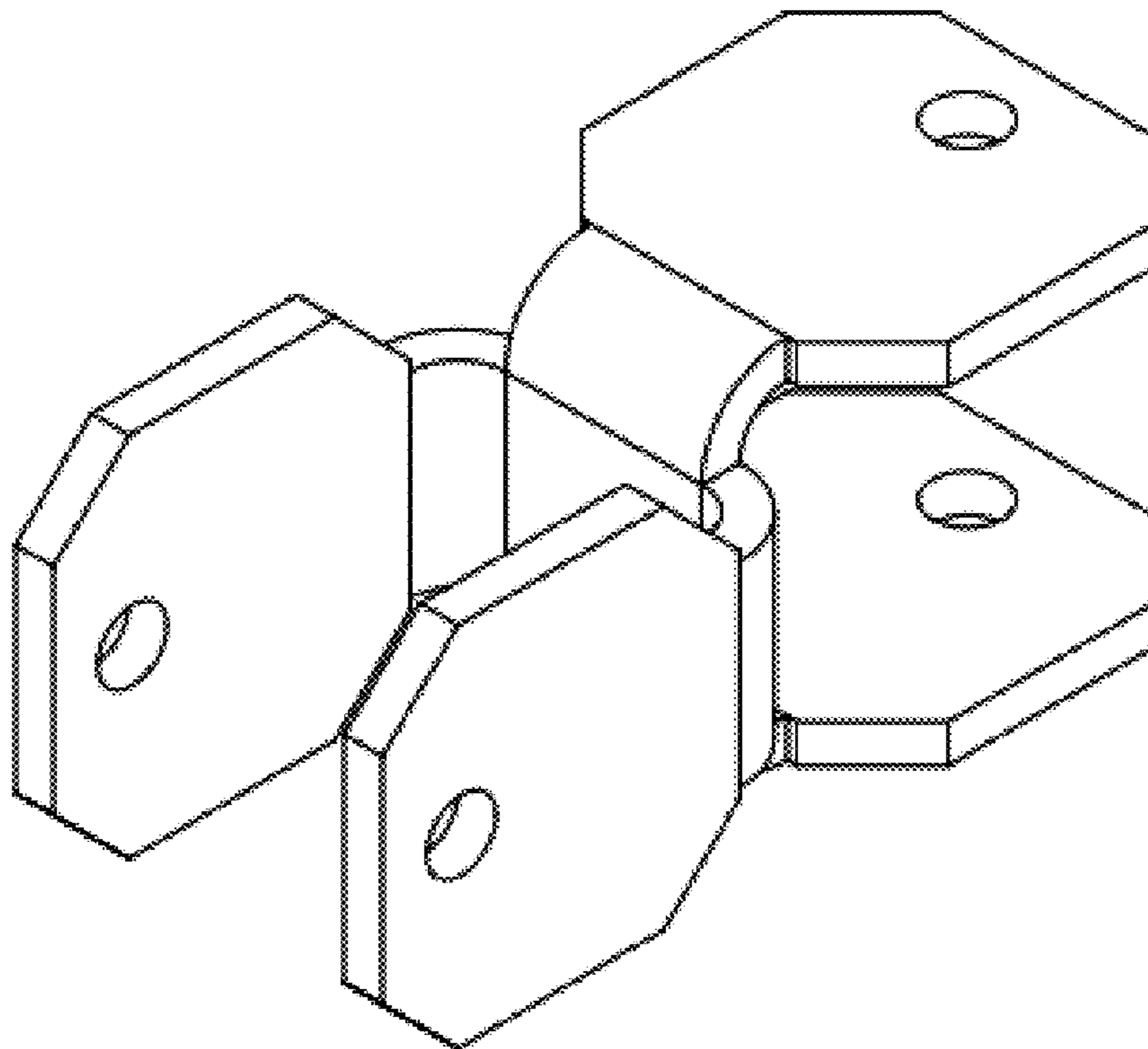


Fig. 2

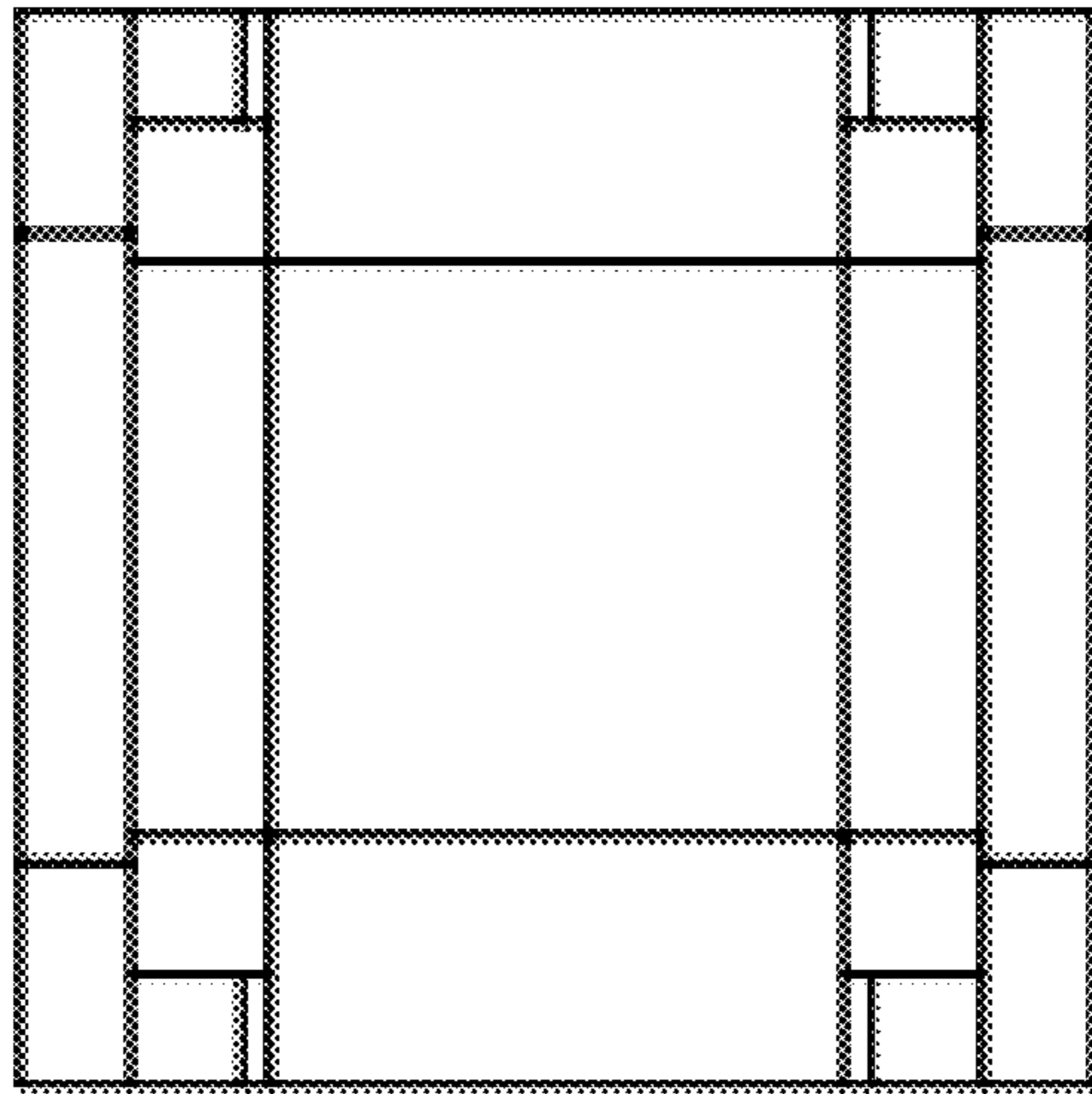


Fig. 3

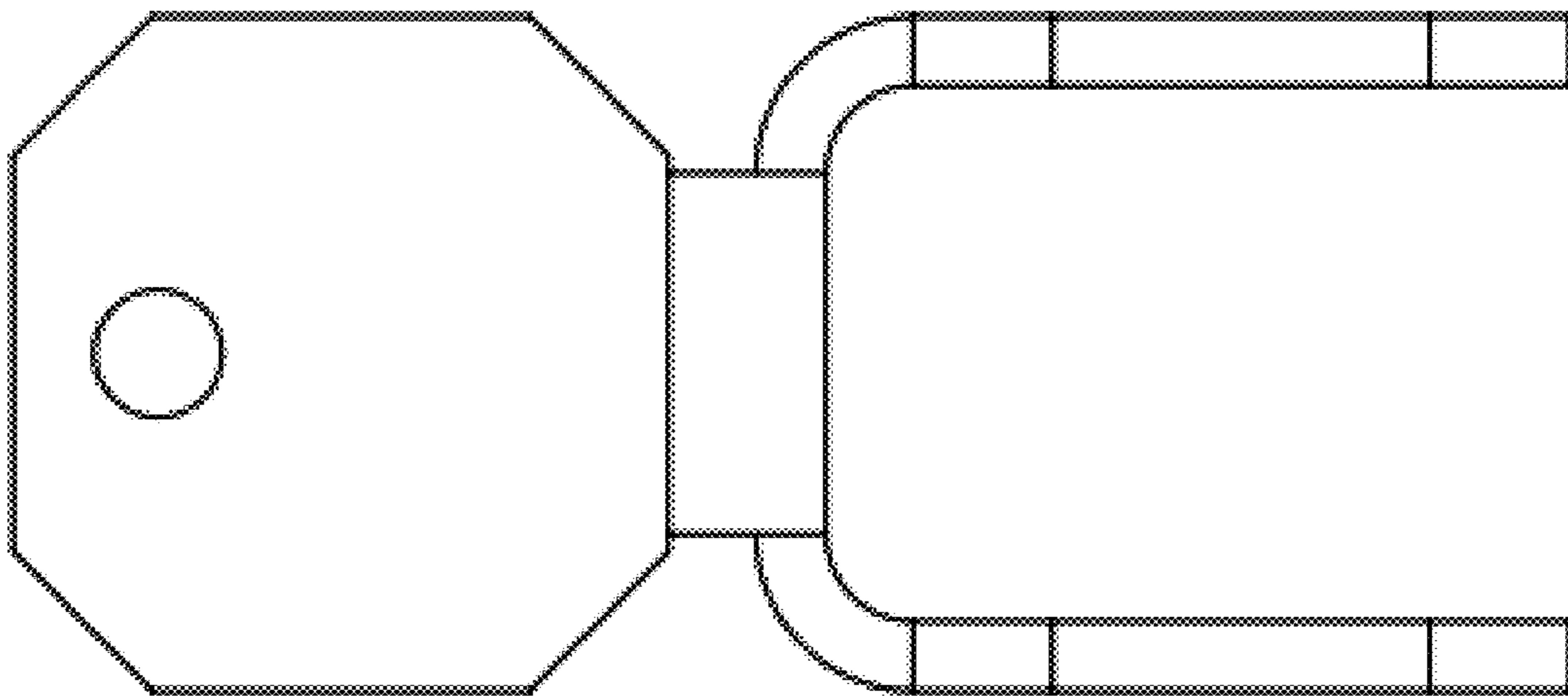


Fig. 4