



US00D874244S

(12) **United States Design Patent** (10) **Patent No.:** **US D874,244 S**  
**Plato et al.** (45) **Date of Patent:** **\*\* Feb. 4, 2020**

(54) **KEY SAFE**  
(71) Applicant: **Master Lock Company LLC**, Oak Creek, WI (US)  
(72) Inventors: **Lea Plato**, Oak Creek, WI (US); **Cornelius Robert O'Rourke**, Oak Creek, WI (US)  
(73) Assignee: **Master Lock Company LLC**, Oak Creek, WI (US)  
(\*\*) Term: **15 Years**  
(21) Appl. No.: **29/618,566**  
(22) Filed: **Sep. 21, 2017**  
(51) **LOC (12) Cl.** ..... **08-07**  
(52) **U.S. Cl.**  
USPC ..... **D8/334**  
(58) **Field of Classification Search**  
USPC ..... D8/300-302, 324, 330, 331, 333, 334, D8/335, 336, 339, 343, 649; 70/14, 20, 70/24-29, 31, 35, 38 R, 40-48, 158, 448, 70/452, 466; 292/348, 350, 357  
CPC ..... E05B 1/007; E05B 27/00; E05B 37/22; E05B 37/08  
See application file for complete search history.

(56) **References Cited**  
U.S. PATENT DOCUMENTS  
3,436,937 A \* 4/1969 Barrett ..... E05B 19/0005 70/14  
5,046,339 A \* 9/1991 Krell ..... E05B 67/02 206/523  
6,526,786 B1 \* 3/2003 Kayoda ..... E05B 19/0005 70/14  
D592,485 S \* 5/2009 Stevens ..... D8/334  
D615,842 S \* 5/2010 Freeman ..... D8/330  
D622,129 S \* 8/2010 Spivey ..... D8/333  
D650,548 S \* 12/2011 Meekma ..... D99/28

D655,885 S \* 3/2012 Meekma ..... D99/28  
D659,344 S \* 5/2012 Meekma ..... D99/28  
D659,345 S \* 5/2012 Meekma ..... D99/28  
D692,745 S \* 11/2013 Stevens ..... D8/334  
D744,314 S \* 12/2015 Ng ..... D8/330  
D748,889 S \* 2/2016 Ng ..... D99/28  
D765,489 S \* 9/2016 Little ..... D8/334  
D789,174 S \* 6/2017 Lai ..... D8/334  
D803,662 S \* 11/2017 Ng ..... D8/346  
D805,509 S \* 12/2017 Hua ..... D14/334  
2012/0119877 A1 \* 5/2012 Ng ..... E05B 19/0005 340/5.61  
2014/0166462 A1 \* 6/2014 Jonely ..... H03K 17/962 200/600  
2015/0225986 A1 \* 8/2015 Goldman ..... E05B 47/0012 70/20

(Continued)

*Primary Examiner* — Ian Simmons  
*Assistant Examiner* — Yolanda Robinson  
(74) *Attorney, Agent, or Firm* — Foley & Lardner LLP

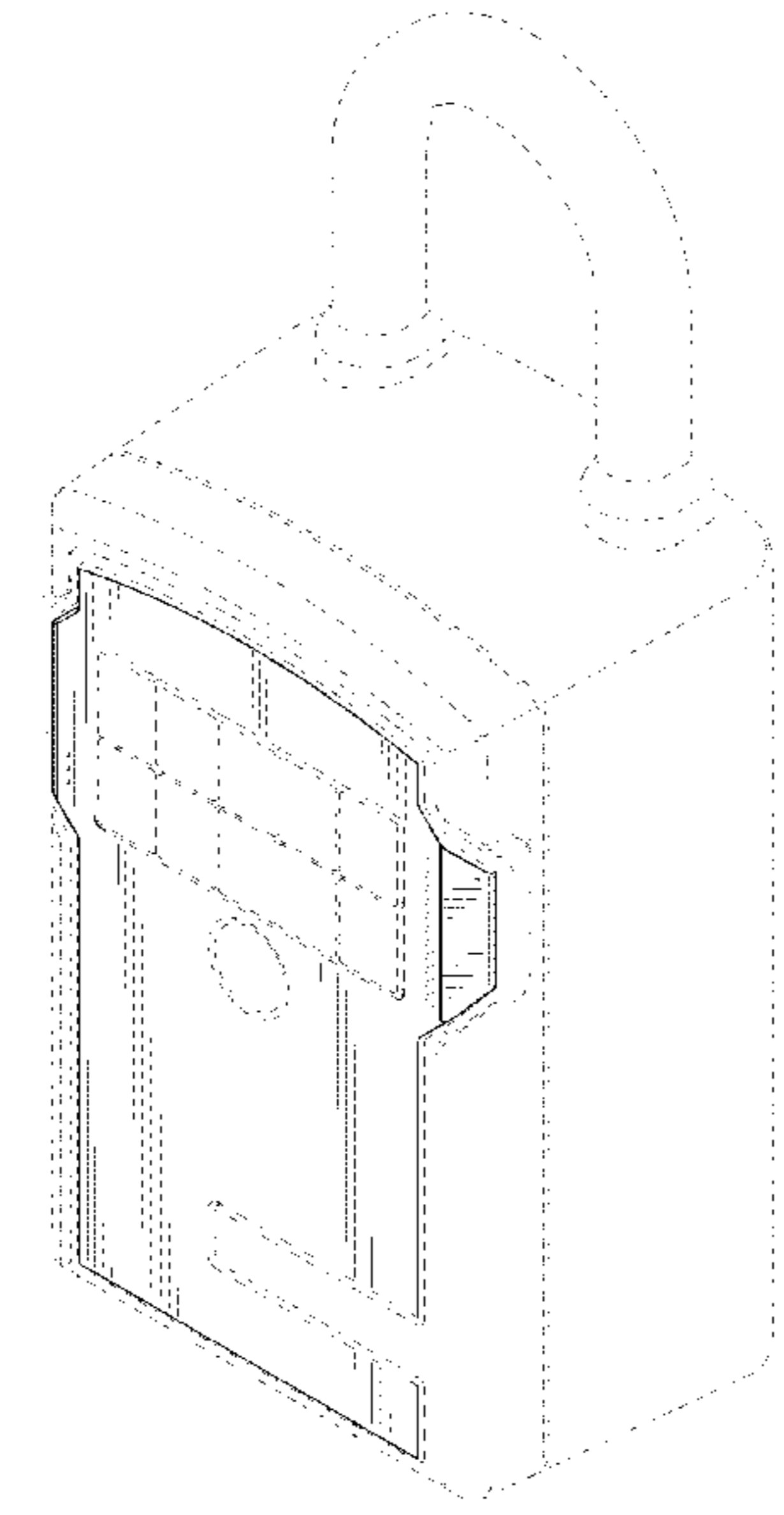
(57) **CLAIM**

The ornamental design for a key safe, as shown and described.

**DESCRIPTION**

FIG. 1 is a front, left, top perspective view of a key safe; FIG. 2 is a front elevation view of the key safe of FIG. 1; FIG. 3 is a back elevation view of the key safe of FIG. 1; FIG. 4 is a left side elevation view of the key safe of FIG. 1; FIG. 5 is a right side elevation view of the key safe of FIG. 1; FIG. 6 is a top plan view of the key safe of FIG. 1; and FIG. 7 is a bottom plan view of the key safe of FIG. 1. Any portion of the key safe depicted in broken lines is for the purposes of illustration only and form no part of the claimed design. Additionally, broken line representations of the environment form no part of the claimed design.

**1 Claim, 5 Drawing Sheets**



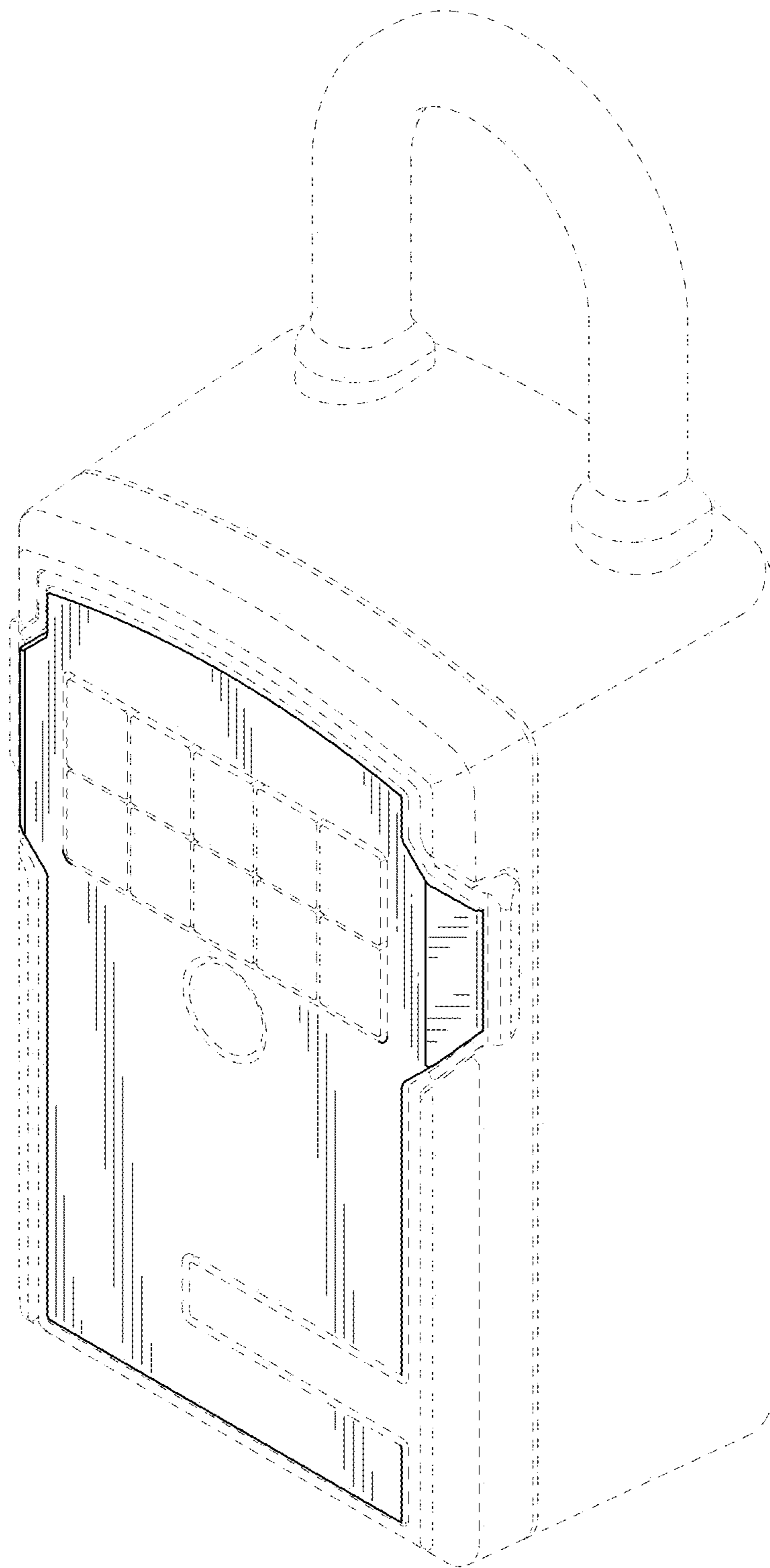
(56)

**References Cited**

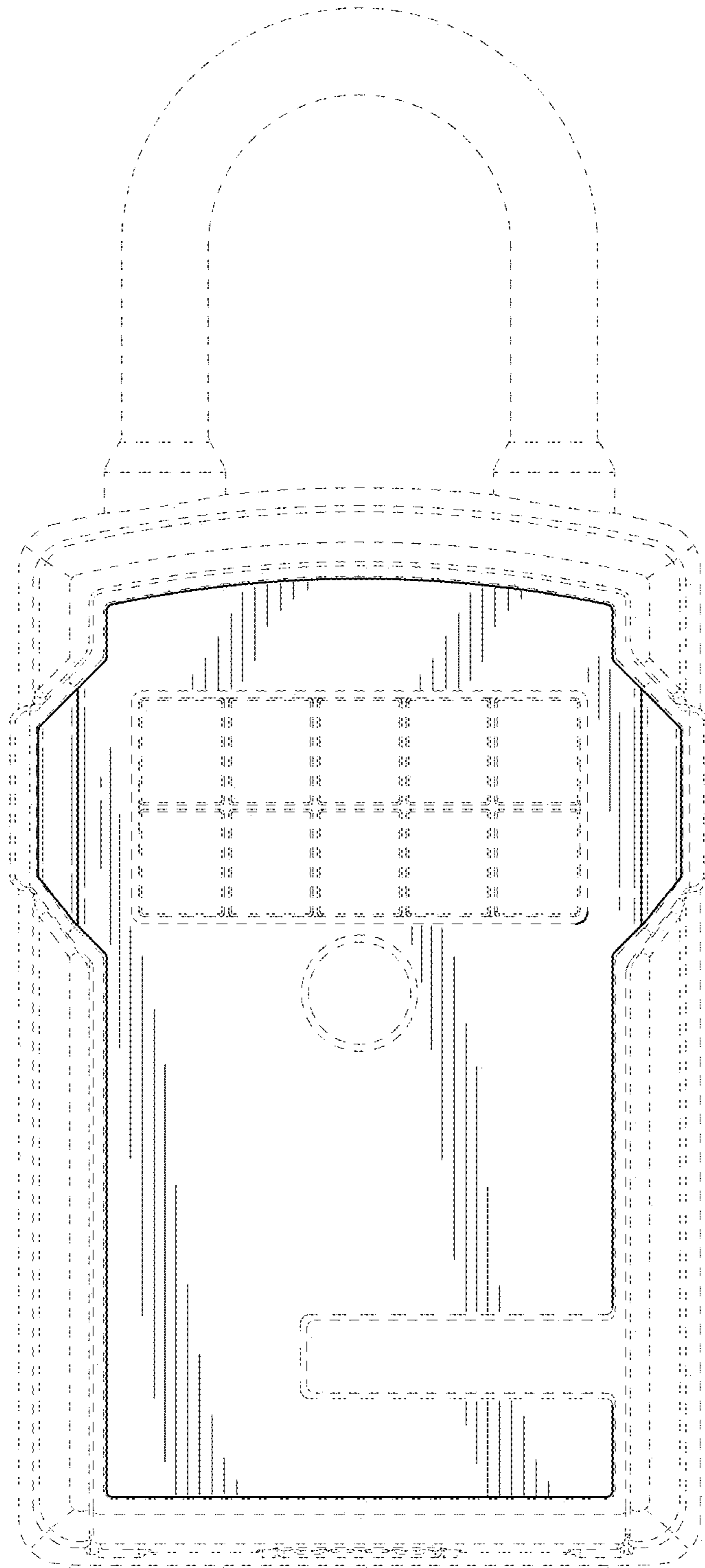
U.S. PATENT DOCUMENTS

2017/0234038 A1\* 8/2017 Sanford ..... E05B 17/10  
70/63

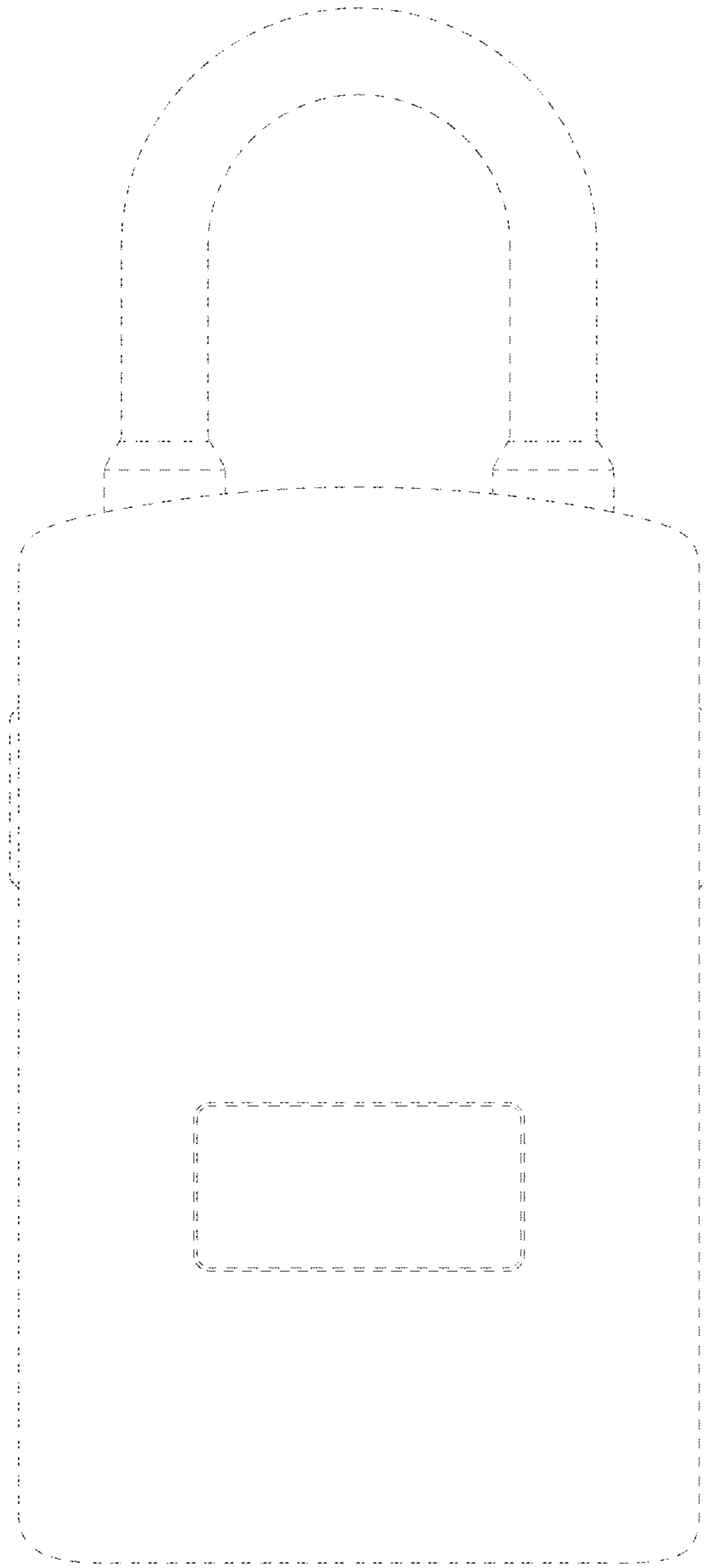
\* cited by examiner



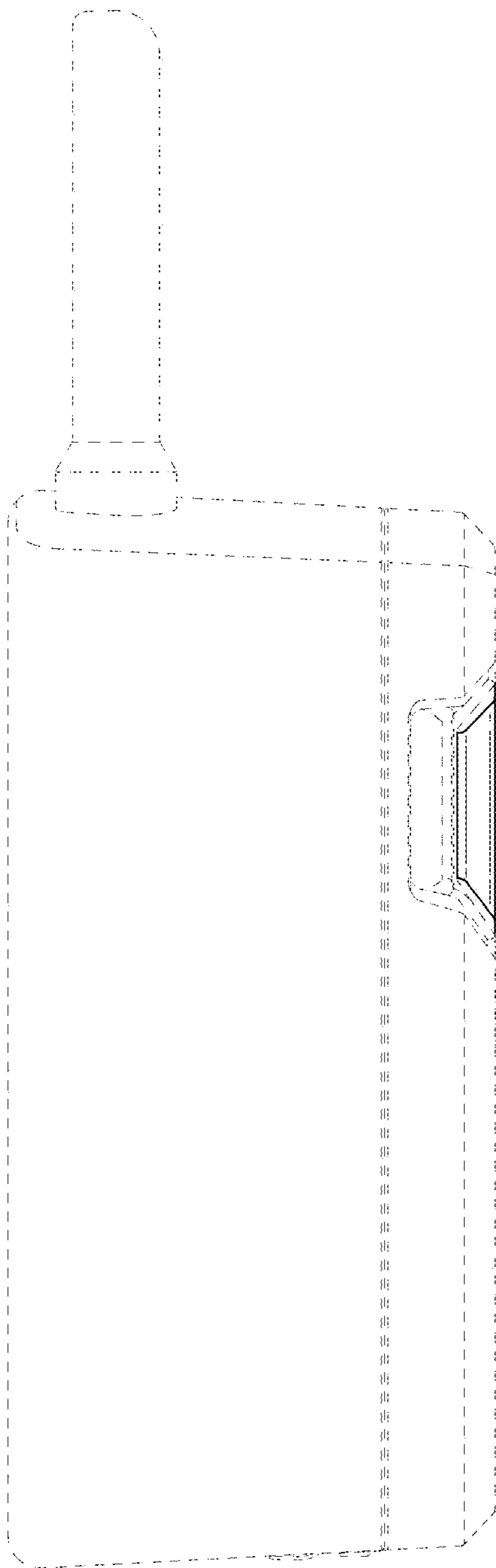
**FIG. 1**



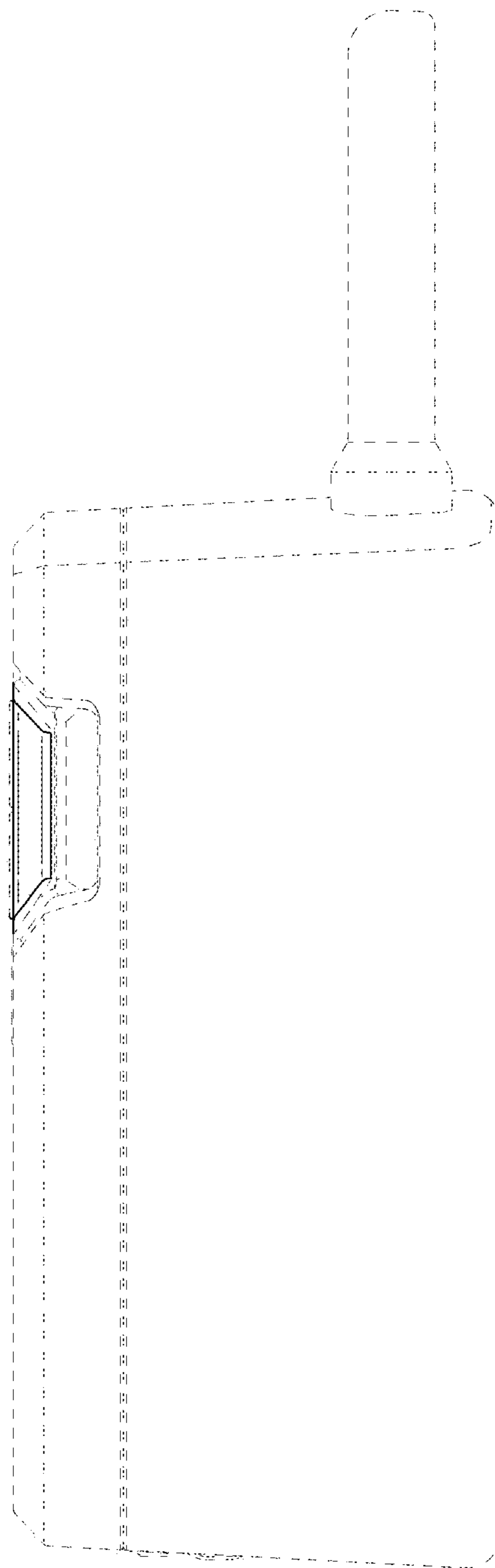
**FIG. 2**



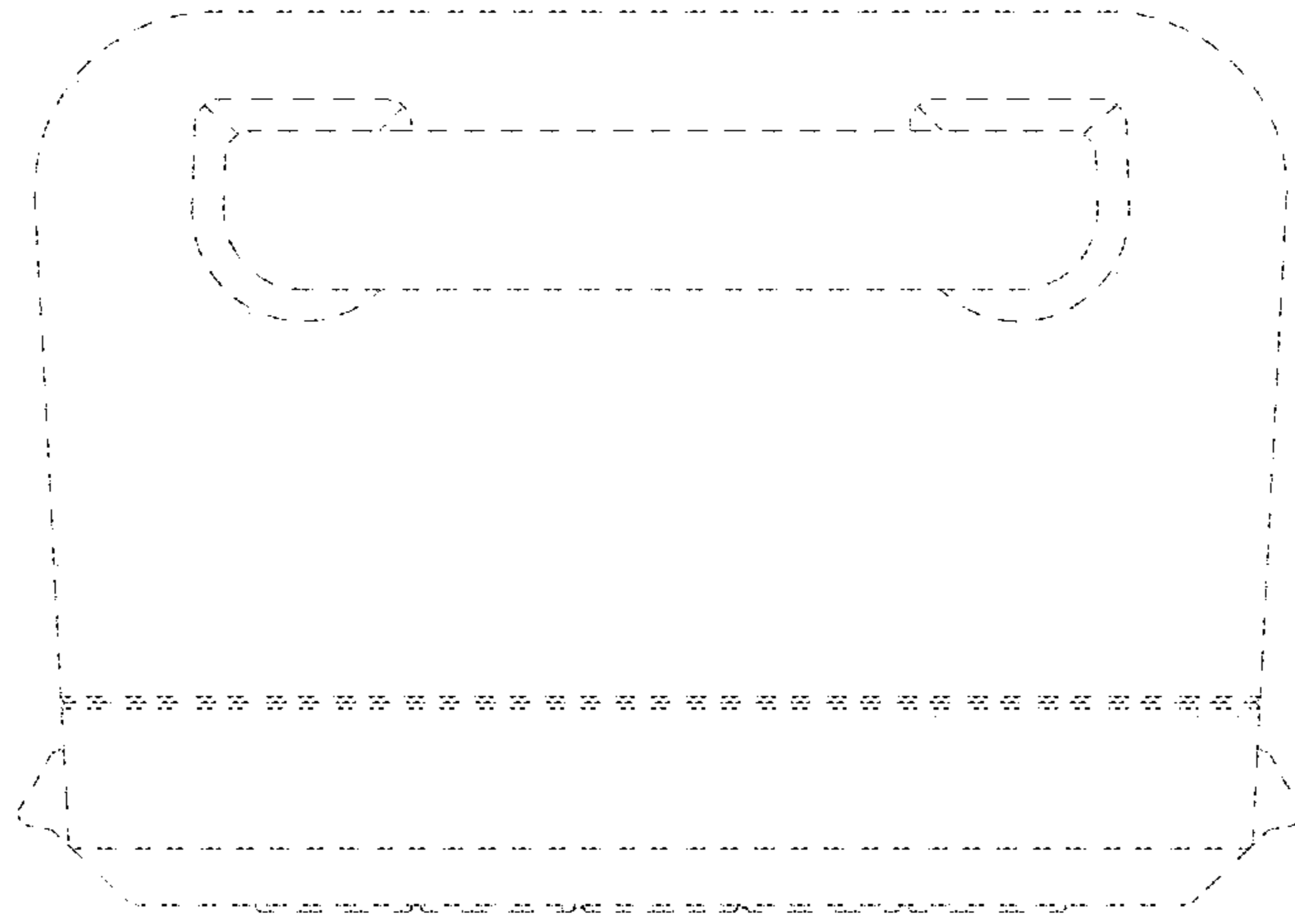
**FIG. 3**



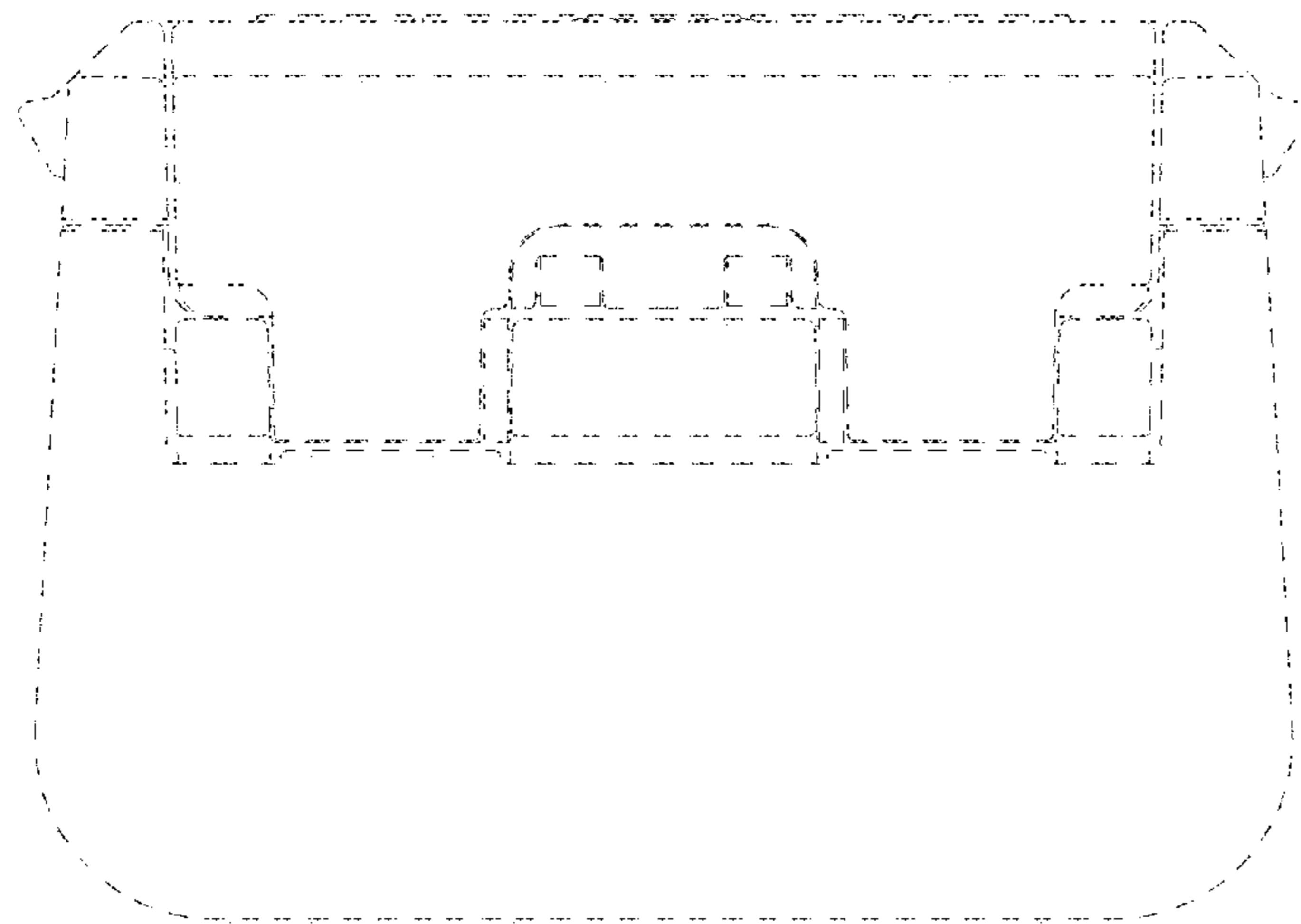
**FIG. 4**



**FIG. 5**



**FIG. 6**



**FIG. 7**