



US00D874243S

(12) **United States Design Patent** (10) **Patent No.:** **US D874,243 S**  
**Smart** (45) **Date of Patent:** **\*\* Feb. 4, 2020**

(54) **VEHICLE DOOR HANDLE**

(71) Applicant: **Jaguar Land Rover Limited**, Whitley, Coventry, Warwickshire (GB)

(72) Inventor: **Sean Smart**, Rugby (GB)

(73) Assignee: **JAGUAR LAND ROVER LIMITED**, Whitley, Coventry (GB)

(\*\*) Term: **15 Years**

(21) Appl. No.: **29/623,119**

(22) Filed: **Oct. 23, 2017**

**Related U.S. Application Data**

(63) Continuation of application No. 14/127,943, filed on Feb. 14, 2014, now Pat. No. 10,294,692.

(30) **Foreign Application Priority Data**

Jun. 21, 2011 (GB) ..... 1110487.4

(51) **LOC (12) Cl.** ..... **08-06**

(52) **U.S. Cl.**  
USPC ..... **D8/302**

(58) **Field of Classification Search**  
USPC ..... D8/300-302, 307-309, 310, 311, D8/DIG. 10; D23/250, 252; D12/195  
CPC ..... Y10T 16/44; Y10T 74/20612; Y10T 74/20732; Y10T 16/458; Y10T 16/498; Y10T 16/469; Y10T 16/476; Y10T 74/20744; Y10T 74/20864; Y10T 16/4628; Y10T 74/20642; Y10T 16/473; Y10T 74/20762; Y10T 74/2042; Y10T 74/20828; Y10T 16/459; Y10T 16/4713; Y10T 74/2014; Y10T 16/50; Y10T 74/20438; Y10T 74/20582; Y10T 74/20738; Y10T 16/48; Y10T 74/20618; Y10T 74/20684; Y10T 74/20624; Y10T 74/20468; Y10T 16/61; Y10T 16/4719; Y10T 16/86; Y10S 16/30; Y10S 292/31; Y10S 292/53; Y10S 16/12; Y10S 292/23;

Y10S 292/27; Y10S 292/30; Y10S 292/63; E05B 85/16; E05B 1/0015; E05B 77/06; E05B 79/06; E05B

(Continued)

(56) **References Cited**

**U.S. PATENT DOCUMENTS**

2,201,963 A 2/1937 Wartian  
2,164,150 A 3/1938 Brewster  
(Continued)

**FOREIGN PATENT DOCUMENTS**

DE 3403003 A1 8/1985  
DE 3427178 A1 2/1986  
(Continued)

**OTHER PUBLICATIONS**

International Search Report for PCT/EP2012/062040, dated Jan. 31, 2013, 4 pages.

(Continued)

*Primary Examiner* — Lauren R Calve

(74) *Attorney, Agent, or Firm* — Reising Ethington P.C.

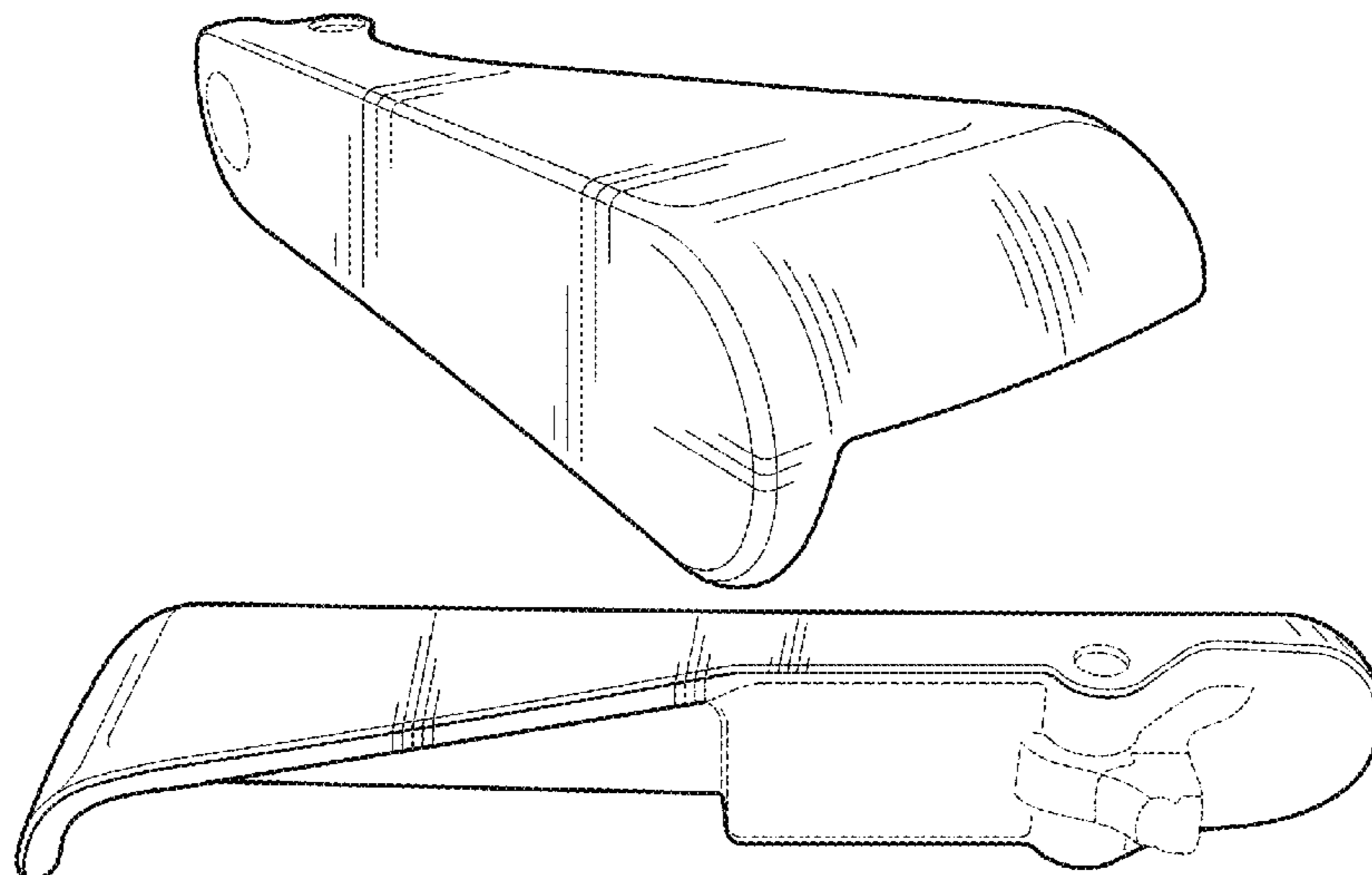
(57) **CLAIM**

The ornamental design for a vehicle door handle, as shown and described.

**DESCRIPTION**

FIG. 1 is a rear, leftside perspective view of a vehicle door handle;  
FIG. 2 is a top, rightside perspective view thereof;  
FIG. 3 is a rear, rightside perspective view thereof;  
FIG. 4 is a leftside view thereof;  
FIG. 5 is a top view thereof;  
FIG. 6 is a rear view thereof; and,  
FIG. 7 is a front view thereof.

**1 Claim, 3 Drawing Sheets**



(58) **Field of Classification Search**  
 CPC ..... 85/18; E05B 85/12; E05B 85/10; E05B  
 7/00; E05B 1/0053; E05B 77/265  
 See application file for complete search history.

(56) **References Cited**

U.S. PATENT DOCUMENTS

5,123,687 A 6/1992 Pfeiffer et al.  
 D493,347 S \* 7/2004 Riddiford ..... D8/300  
 D531,880 S \* 11/2006 Wang ..... D8/302  
 7,300,190 B2 \* 11/2007 Nitawaki ..... E05B 85/01  
 362/100  
 D666,889 S \* 9/2012 Yu ..... D8/302  
 D690,185 S \* 9/2013 Taiko ..... D8/302  
 8,764,256 B2 \* 7/2014 Foote ..... B60R 1/12  
 362/494  
 8,985,648 B2 \* 3/2015 Muller ..... E05B 85/107  
 292/336.3  
 D746,205 S \* 12/2015 Jelec ..... D12/195  
 D834,913 S \* 12/2018 Muntean ..... D8/302  
 10,294,692 B2 \* 5/2019 Smart ..... E05B 5/003  
 2003/0019261 A1 1/2003 Wittwer  
 2004/0222649 A1 11/2004 Ito et al.  
 2006/0038418 A1 \* 2/2006 Huizenga ..... E05B 77/06  
 292/336.3  
 2009/0039671 A1 2/2009 Thomas et al.  
 2010/0020558 A1 \* 1/2010 Goto ..... E05B 17/10  
 362/487  
 2011/0012378 A1 1/2011 Ueno et al.  
 2011/0154617 A1 5/2011 Tanaka et al.  
 2013/0076047 A1 \* 3/2013 Wheeler ..... E05B 85/00  
 292/336.3  
 2015/0039180 A9 \* 2/2015 Aerts ..... E05B 85/103  
 701/36  
 2016/0010368 A1 \* 1/2016 Tanoguchi ..... E05B 79/06  
 16/412  
 2017/0107744 A1 \* 4/2017 Wilke ..... E05B 77/06  
 2017/0260780 A1 \* 9/2017 Christensen ..... E05B 81/77  
 2017/0292297 A1 \* 10/2017 Bartels ..... E05B 85/107  
 2019/0010737 A1 \* 1/2019 Kovie ..... E05B 79/06  
 2019/0040658 A1 \* 2/2019 Suzuki ..... E05B 85/12

FOREIGN PATENT DOCUMENTS

DE 19635097 A1 3/1998  
 DE 19731325 A1 1/1999

DE 19740827 A 3/1999  
 DE 29914393 U1 12/1999  
 DE 19860229 A1 7/2000  
 DE 10219634 A1 11/2003  
 DE 102006027474 A1 12/2007  
 DE 202011000861 U1 10/2011  
 EP 1607556 A1 12/2005  
 GB 2141976 A 1/1985  
 GB 2345437 A 7/2000  
 GB 2477085 A 7/2011  
 JP S4115997 Y 7/1966  
 JP S59175559 U 11/1984  
 JP S60138189 A 7/1985  
 JP S64052966 A 3/1989  
 JP 07082933 A 3/1995  
 JP 2004100429 A 4/2004  
 JP 2004244991 A 9/2004  
 JP 2005002632 A 1/2005  
 JP 2008081926 A 4/2008  
 JP 2008248630 A 10/2008  
 JP 2010112005 A 5/2010  
 JP 2010242442 A 10/2010  
 JP 2011039027 A 2/2011  
 JP 2014522926 A 9/2014  
 WO WO0175252 A1 10/2001  
 WO WO2012175647 A2 12/2012

OTHER PUBLICATIONS

Great Britain Further Search Report Under Section 17 corresponding to application No. GB1211026.8, dated Mar. 25, 2013, 5 pages.  
 English summary of Japanese Office action corresponding to application No. JP2014516360, dated Jan. 20, 2015, 2 pages.  
 Japanese Office Action in Japanese with English summary for JP application No. 2015142261, dated Aug. 16, 2016, 4 pages.  
 Japanese Office Action in Japanese with English summary for JP application No. 2014516360, dated Oct. 18, 2016, 4 pages.  
 Japanese Office Action in Japanese with English summary for JP application No. 2015142261, dated Feb. 28, 2017, 6 pages.  
 Extended European Search Report for EP application No. 17177140. 5, dated Nov. 23, 2017, 7 pages.  
 Extended European Search Report for EP application No. 17177145. 4, dated Nov. 23, 2017, 5 pages.  
 Great Britain combined search and examination report corresponding to application No. GB1211026.8, dated Oct. 22, 2012, 6 pages.

\* cited by examiner

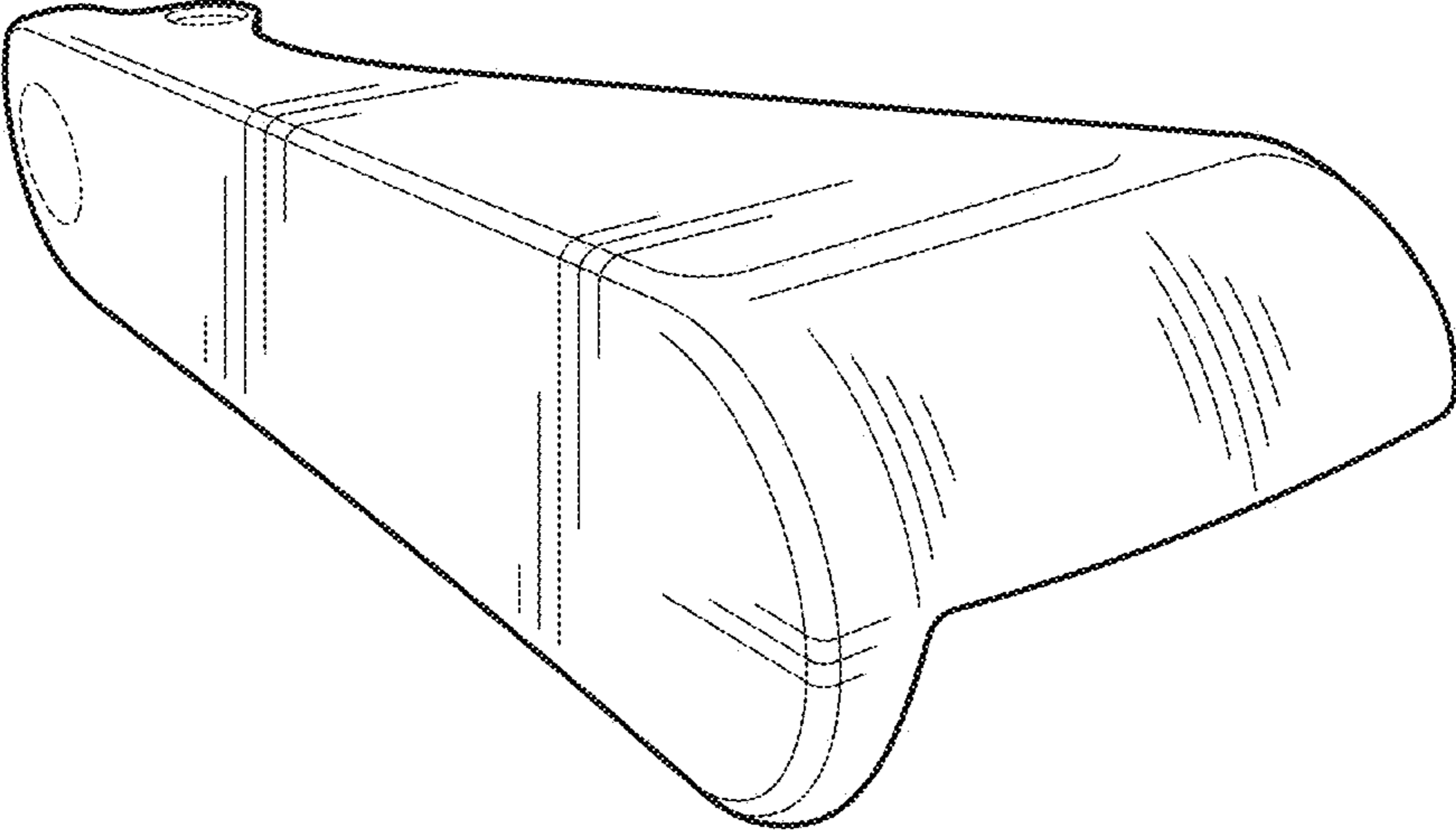


FIG. 1

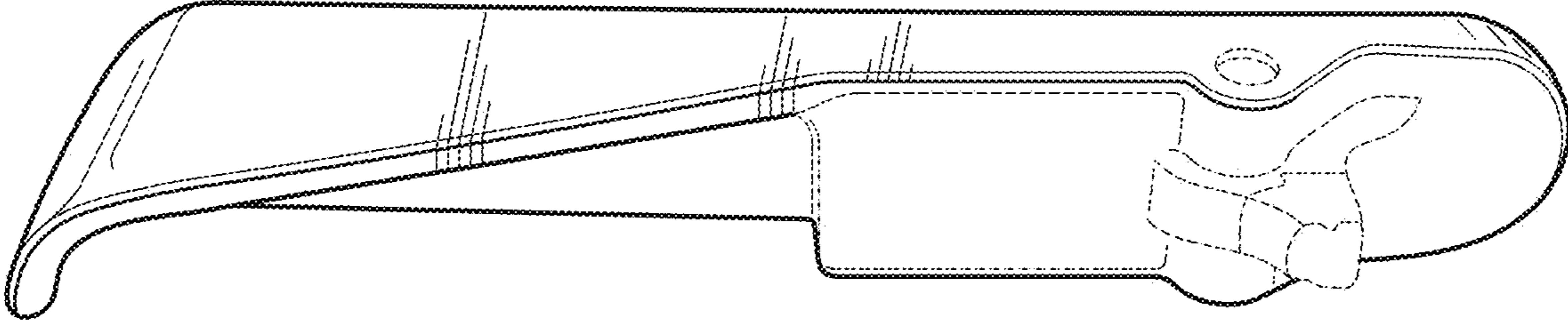


FIG. 2

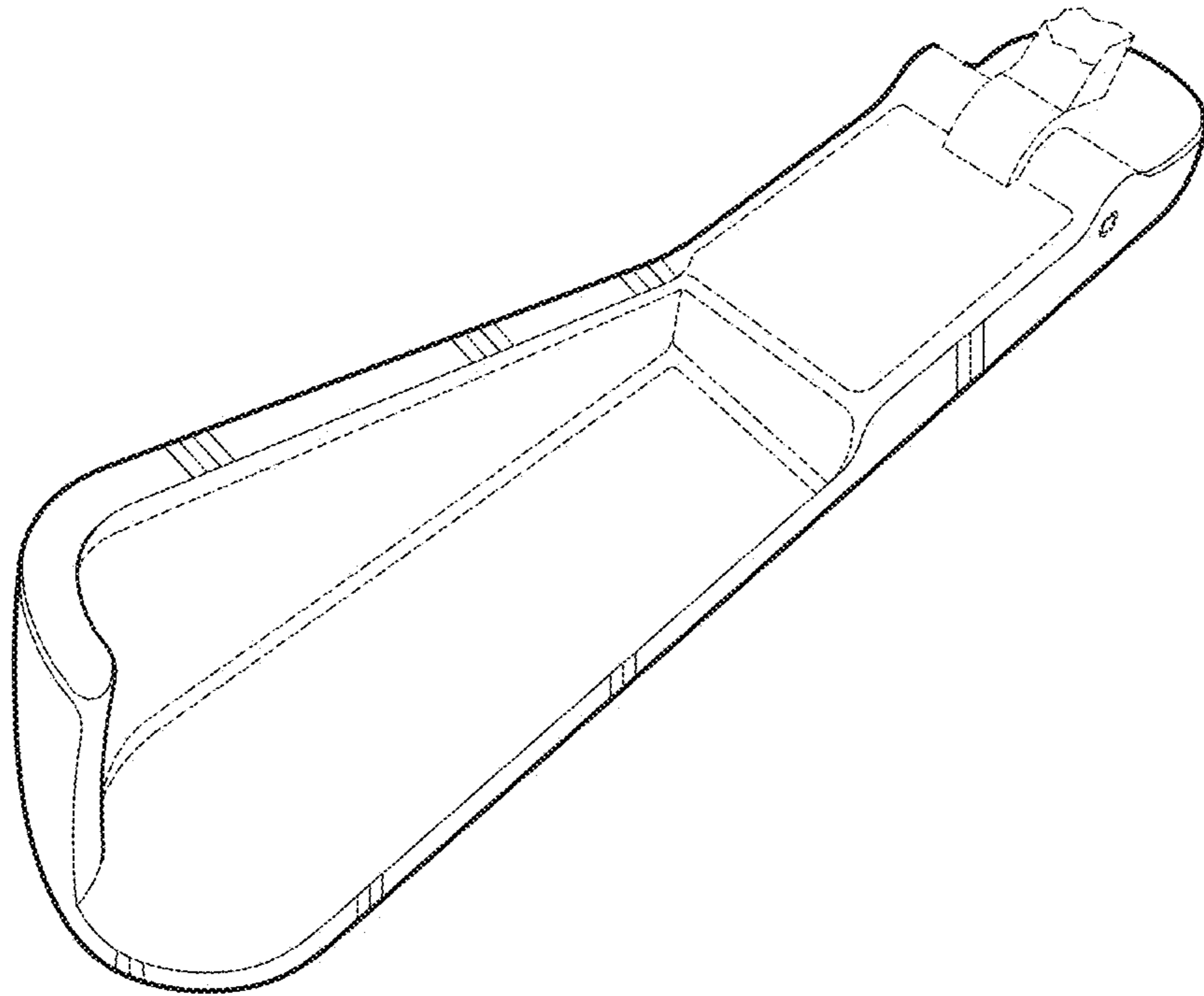


FIG. 3

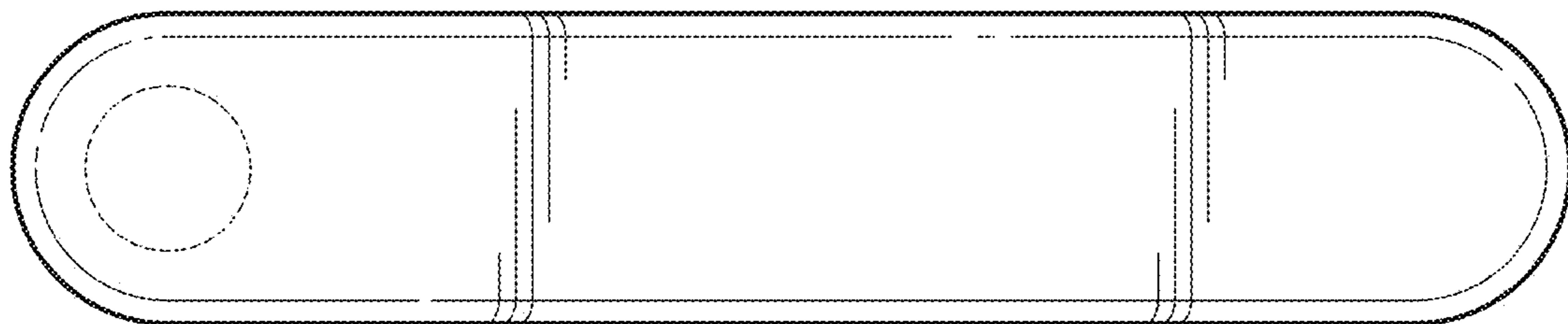


FIG. 4

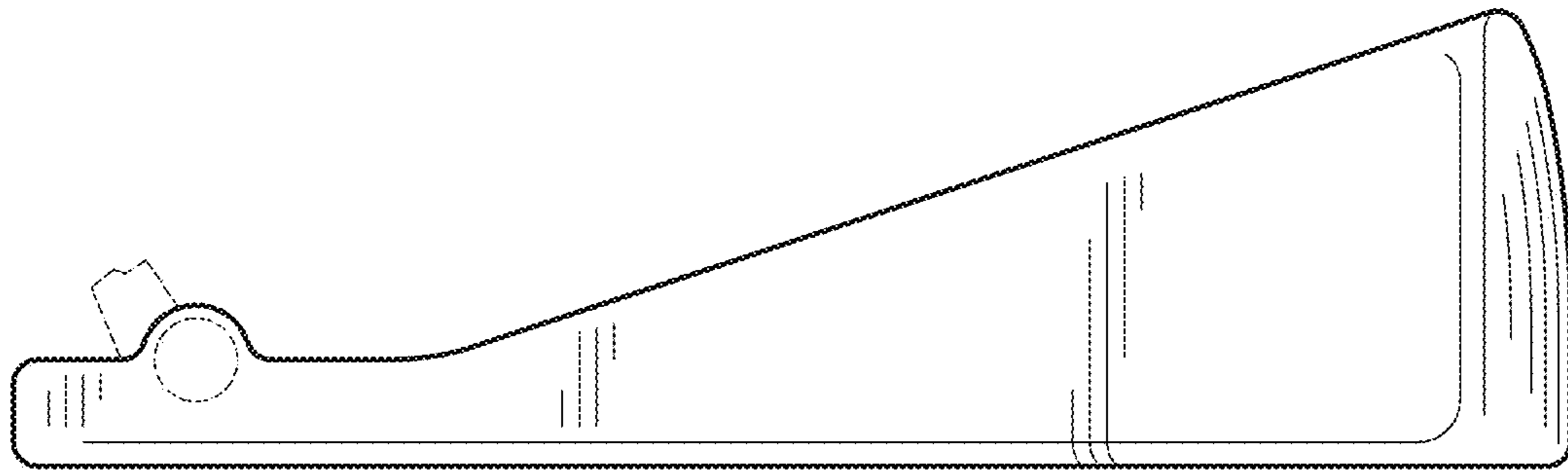


FIG. 5

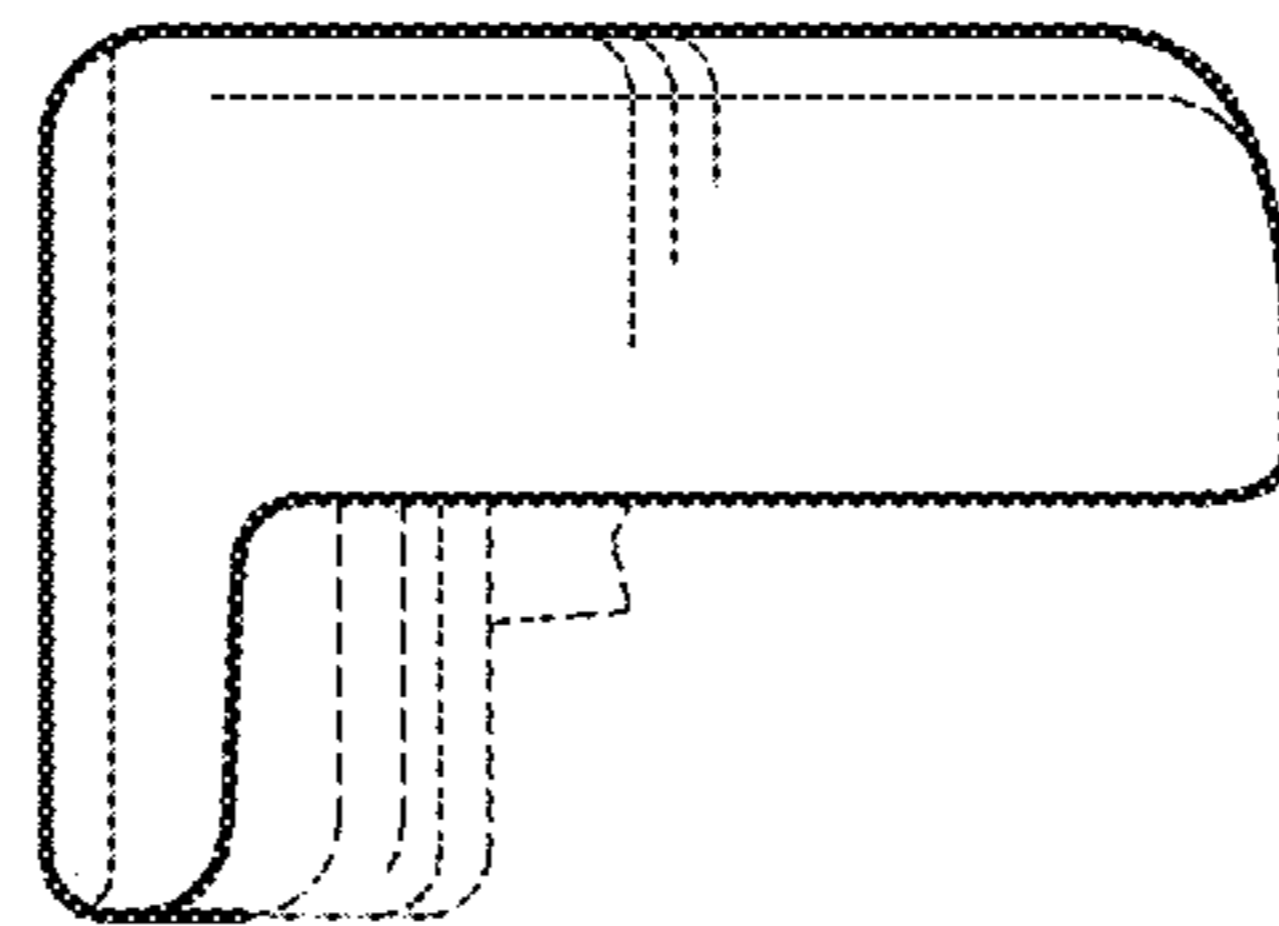


FIG. 6

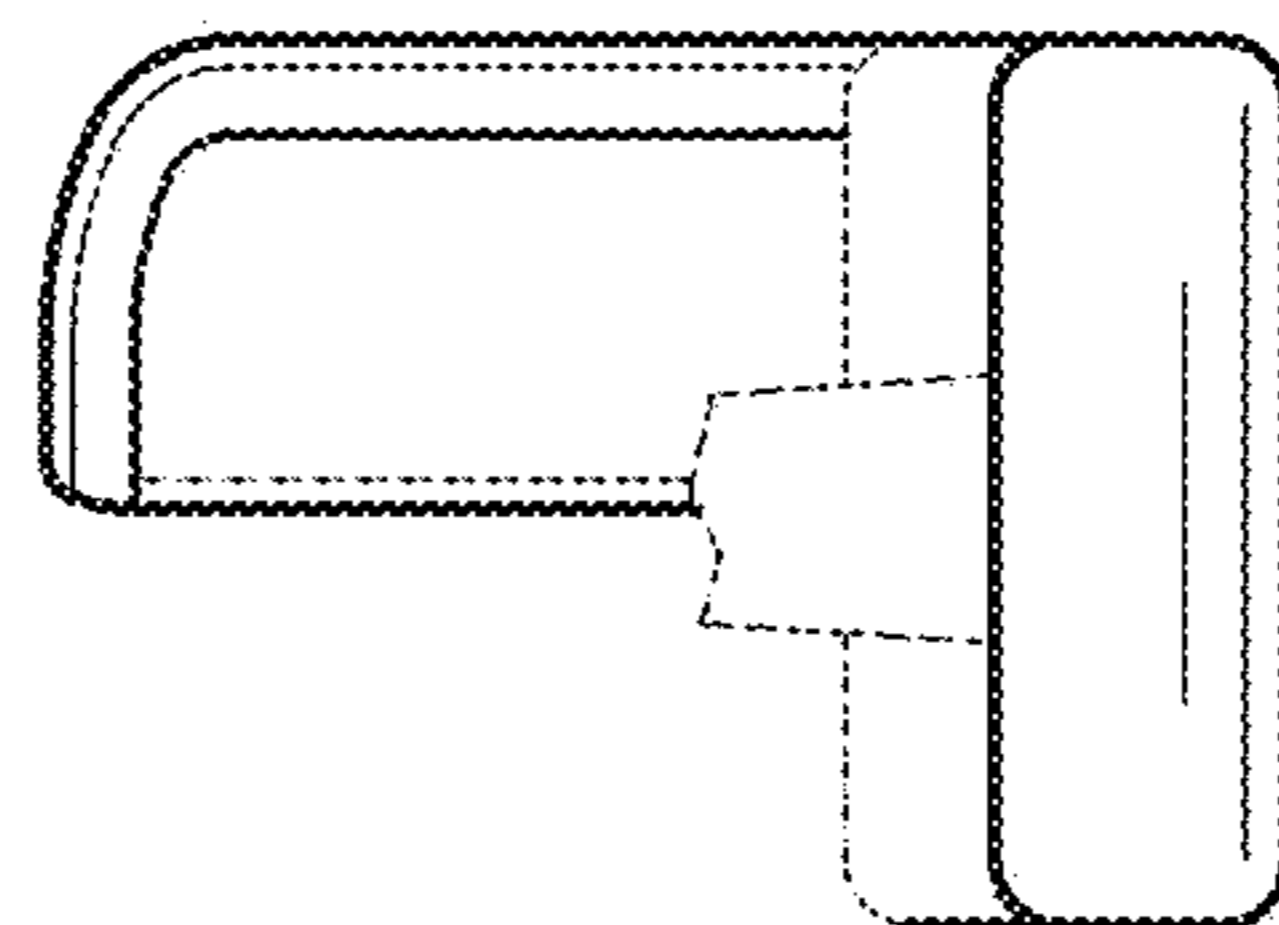


FIG. 7