



US00D874241S

(12) **United States Design Patent**  
**Liao et al.**

(10) **Patent No.:** **US D874,241 S**  
(45) **Date of Patent:** **\*\* Feb. 4, 2020**

(54) <b>CAULK TOOL</b>	7,047,588 B2 * 5/2006 Bennett ..... E04F 21/165 15/105.5
(71) Applicants: <b>Ying-Chieh Liao</b> , Taichung (TW); <b>Yu-Kuo Liao</b> , Taichung (TW)	D575,615 S * 8/2008 Araiza ..... D8/105 D609,589 S * 2/2010 Nakata ..... D10/65 8,667,636 B2 * 3/2014 Berney ..... E04F 21/162 15/105.5
(72) Inventors: <b>Ying-Chieh Liao</b> , Taichung (TW); <b>Yu-Kuo Liao</b> , Taichung (TW)	2014/0109418 A1 * 4/2014 Wu ..... G01B 21/08 33/501.6

(\*\*) Term: **15 Years**

\* cited by examiner

(21) Appl. No.: **29/658,065**

*Primary Examiner* — Philip S Hyder

(22) Filed: **Jul. 27, 2018**

(74) *Attorney, Agent, or Firm* — Muncy, Geissler, Olds & Lowe, P.C.

(51) **LOC (12) Cl.** ..... **08-05**

(52) **U.S. Cl.**  
USPC ..... **D8/105**

(57) **CLAIM**

(58) **Field of Classification Search**  
USPC ..... D8/14, 105, 45; D10/65  
CPC . B05C 17/00; B05C 17/10; G01B 3/32; E04F  
21/32; E04F 21/02; E04F 21/026; E04F  
26/06; B05B 11/06

We claim the ornamental design for a caulk tool, as shown and described.

See application file for complete search history.

**DESCRIPTION**

(56) **References Cited**

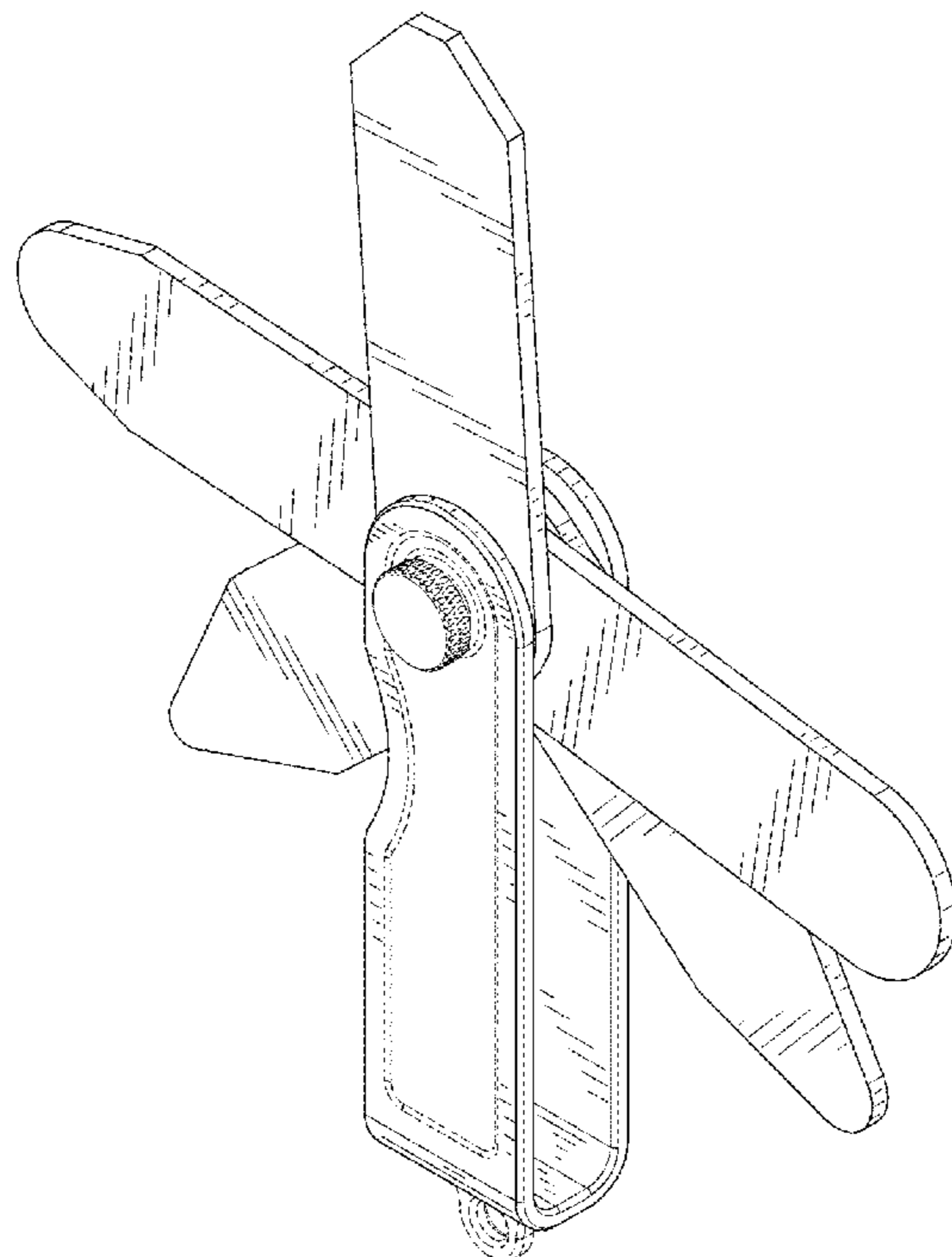
U.S. PATENT DOCUMENTS

D58,482 S *	7/1921	Helin	.....	D8/105
1,524,474 A *	1/1925	Buck	.....	G01B 3/30 33/562
2,498,171 A *	2/1950	Michler	.....	G01B 3/30 33/562
4,498,239 A *	2/1985	Epstein	.....	G01B 3/32 33/567
4,673,346 A *	6/1987	Anderson	.....	E04F 21/32 15/235.3
5,220,701 A *	6/1993	Creto	.....	B26B 11/001 30/143
D433,901 S *	11/2000	Hepworth	.....	D8/14

FIG. 1 is a top, front, right perspective view of a caulk tool showing our new design;  
FIG. 2 is a front elevational view thereof;  
FIG. 3 is a rear elevational view thereof;  
FIG. 4 is a left side view thereof;  
FIG. 5 is a right side view thereof;  
FIG. 6 is a top plan view thereof;  
FIG. 7 is a bottom plan view thereof;  
FIG. 8 is a bottom, front, left perspective view; and,  
FIG. 9 is a perspective view of the caulk tool in folded position.

The broken lines in the drawings illustrate portions of the caulk tool which form no part of the claimed design.

**1 Claim, 7 Drawing Sheets**



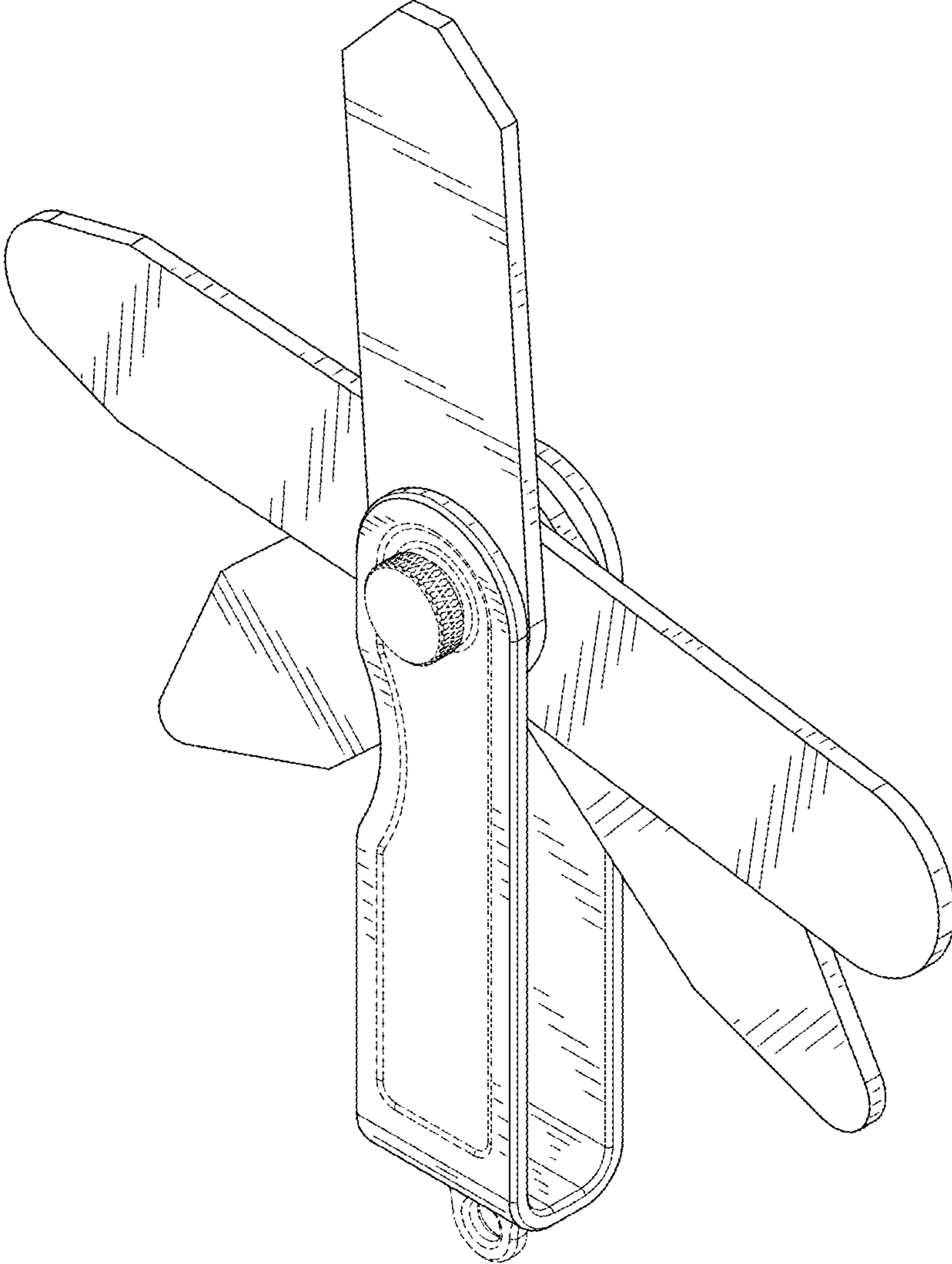


FIG. 1

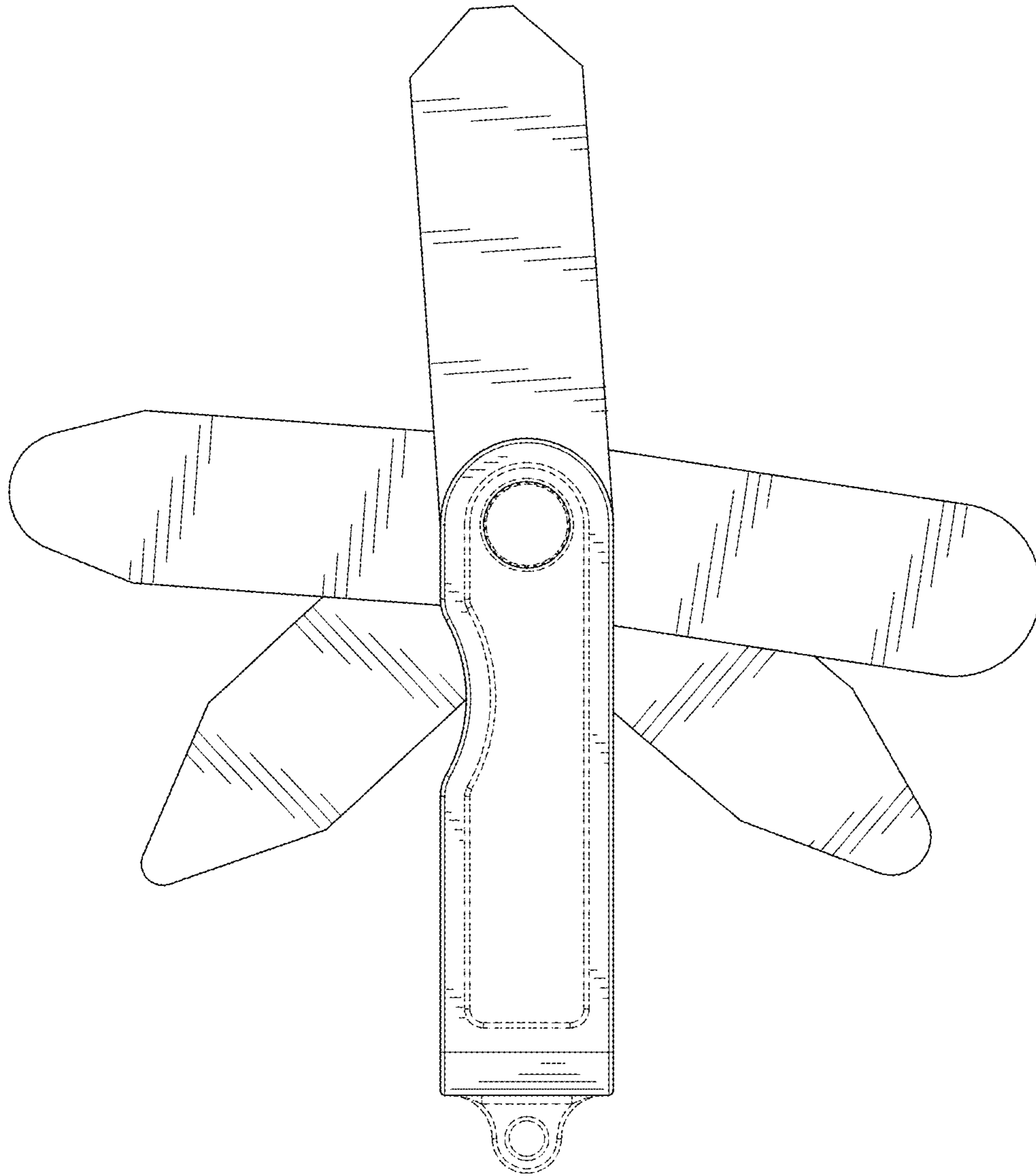


FIG. 2

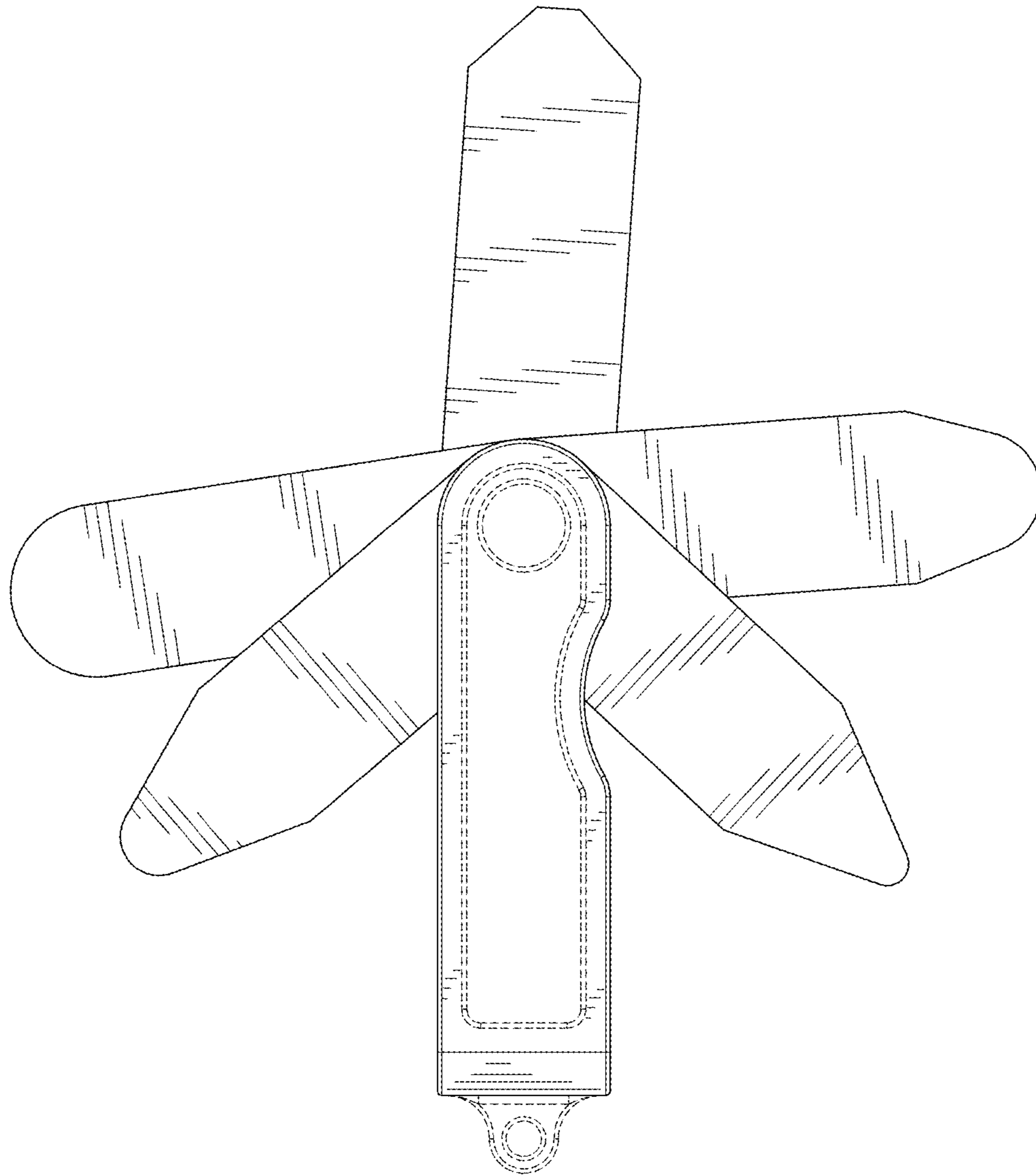


FIG. 3

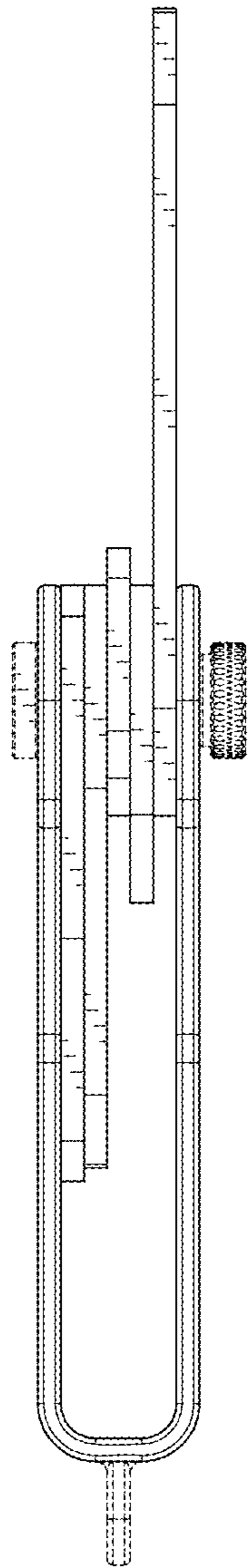


FIG. 4

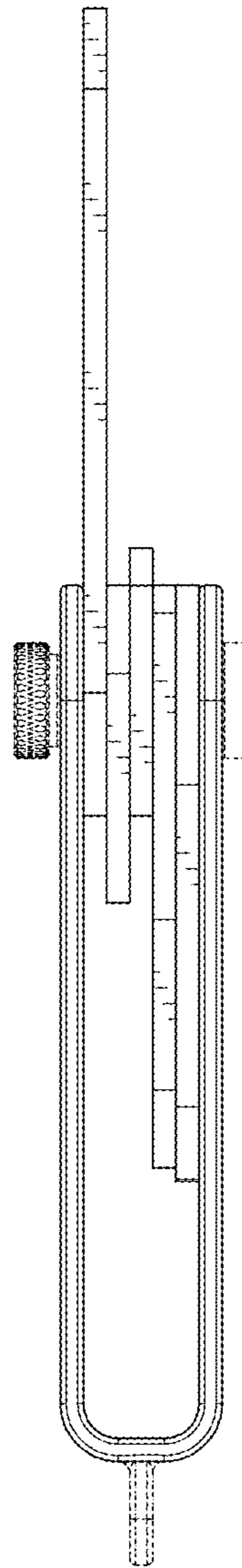


FIG. 5

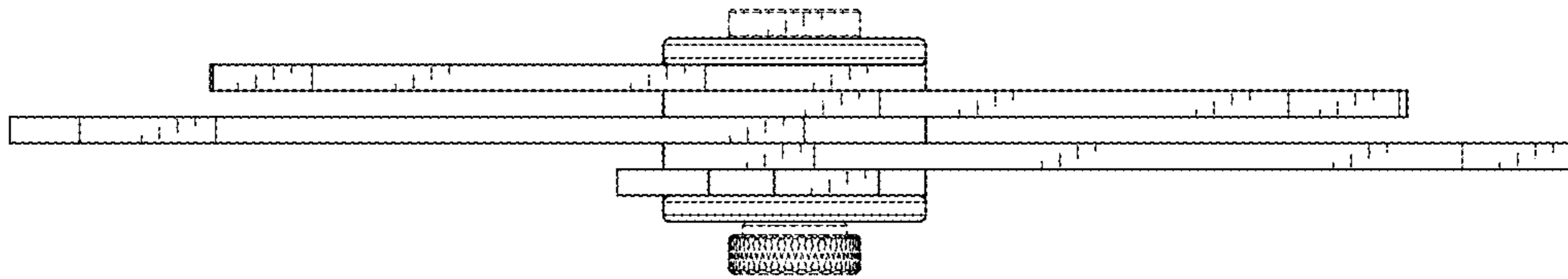


FIG. 6

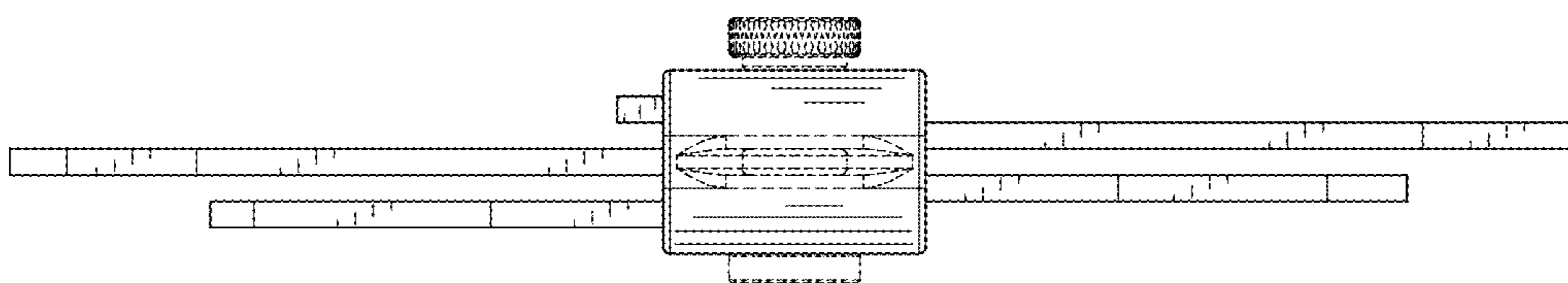


FIG. 7



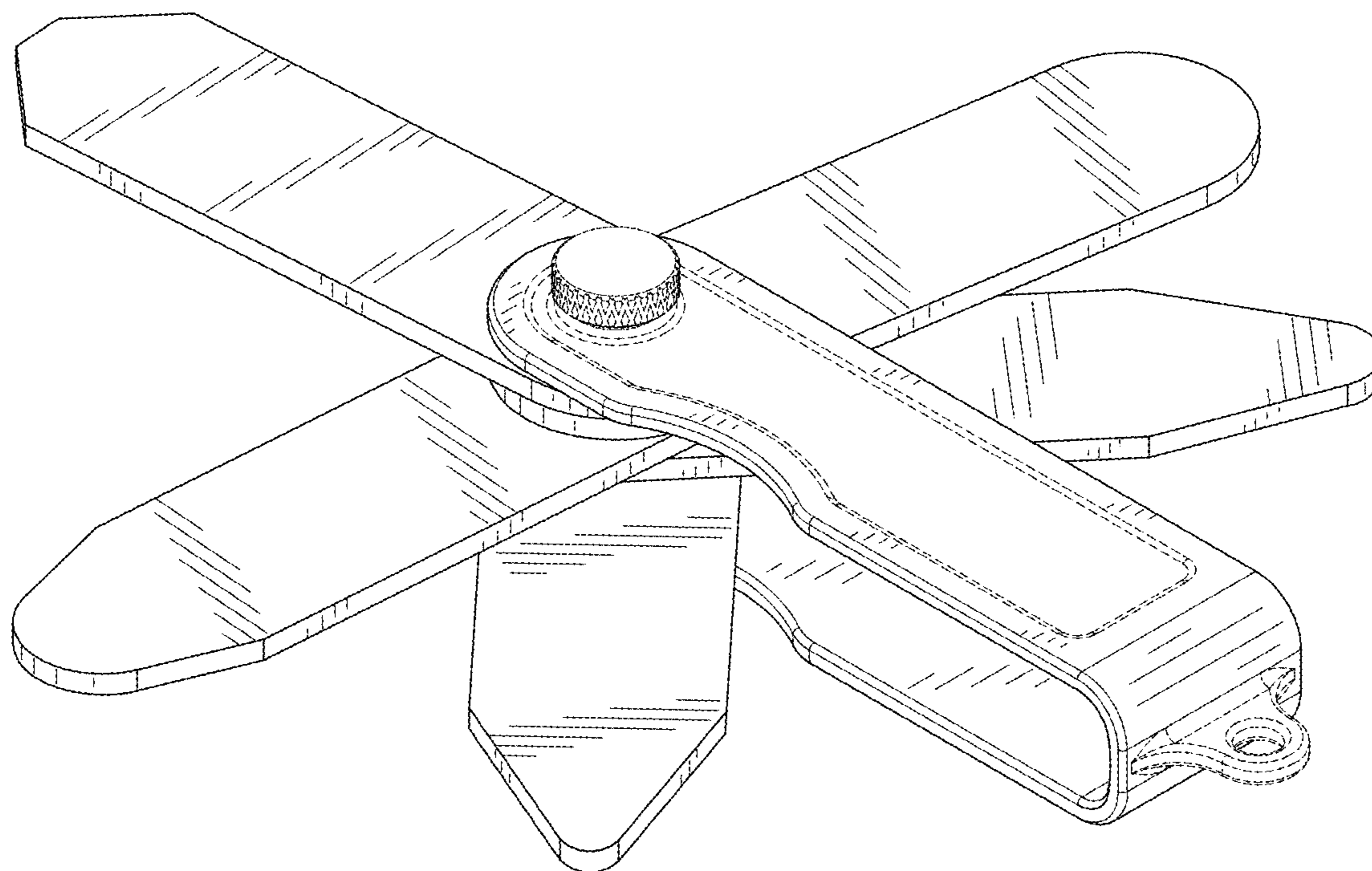


FIG. 8

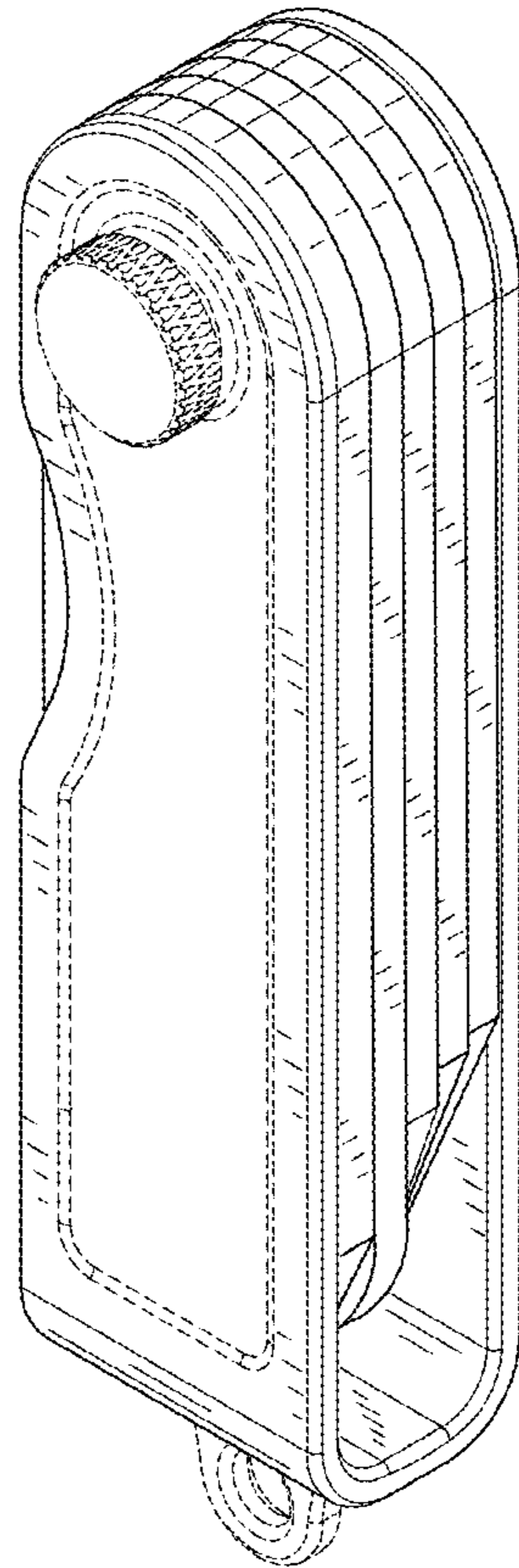


FIG. 9