



US00D874240S

(12) **United States Design Patent**
Souders

(10) **Patent No.:** **US D874,240 S**

(45) **Date of Patent:** **** Feb. 4, 2020**

(54) **SEAT BELT MOUNTED COMBINATION CUTTER AND GLASS BREAK TOOL**

(71) Applicant: **Stephen P Souders**, Lenhartsville, PA (US)

(72) Inventor: **Stephen P Souders**, Lenhartsville, PA (US)

(**) Term: **15 Years**

(21) Appl. No.: **29/649,234**

(22) Filed: **May 29, 2018**

Related U.S. Application Data

(63) Continuation-in-part of application No. 15/608,615, filed on May 30, 2017, now Pat. No. 10,214,170.

(51) **LOC (12) Cl.** **08-03**

(52) **U.S. Cl.**
USPC **D8/98**

(58) **Field of Classification Search**
USPC D8/105, 4, 16-20, 26, 34, 51, 52, 55, 81, D8/98, 99, 107
CPC ... B26B 5/00; B25F 1/00; B25F 1/006; F16M 13/00
See application file for complete search history.

(56) **References Cited**

U.S. PATENT DOCUMENTS

- 4,680,861 A 7/1987 Meurer
- 4,815,211 A 3/1989 Garcia
- 5,085,449 A 2/1992 Hudson
- 5,588,212 A * 12/1996 Riihimaki B60R 22/32
30/123
- 5,630,242 A * 5/1997 Oginaezawa B60R 22/32
7/144
- 5,642,567 A * 7/1997 Lin A62B 3/005
30/366
- 5,903,942 A 5/1999 Hasegawa
- 5,918,372 A 7/1999 Materne
- D470,030 S * 2/2003 Swier D8/98

- D470,739 S * 2/2003 Chen D8/105
- 6,666,566 B1 * 12/2003 Uke F21V 33/0064
362/109

- 7,051,391 B2 5/2006 Wang
- D575,182 S * 8/2008 Rubin D10/104.1
- D577,562 S * 9/2008 Lin D8/105

(Continued)

OTHER PUBLICATIONS

The Cut n Go Emergency Seat Belt Cutter, Jul. 6, 2018, <https://www.thecutngo.com/seat-belt-cutter-allows-people-to-free-themselves/> (Year: 2018).*

(Continued)

Primary Examiner — Janice Hallmark

(74) *Attorney, Agent, or Firm* — Sanford J. Pilch

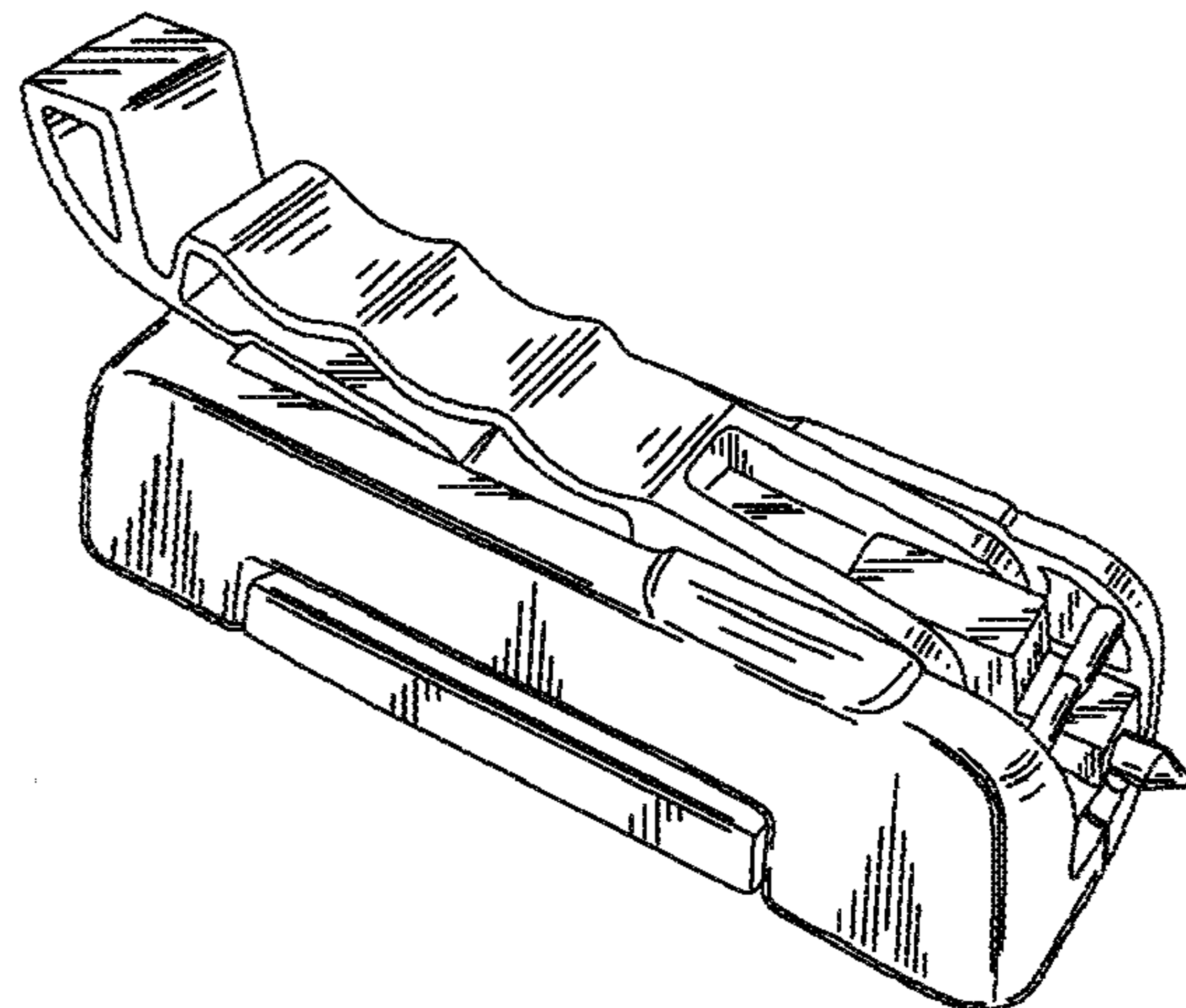
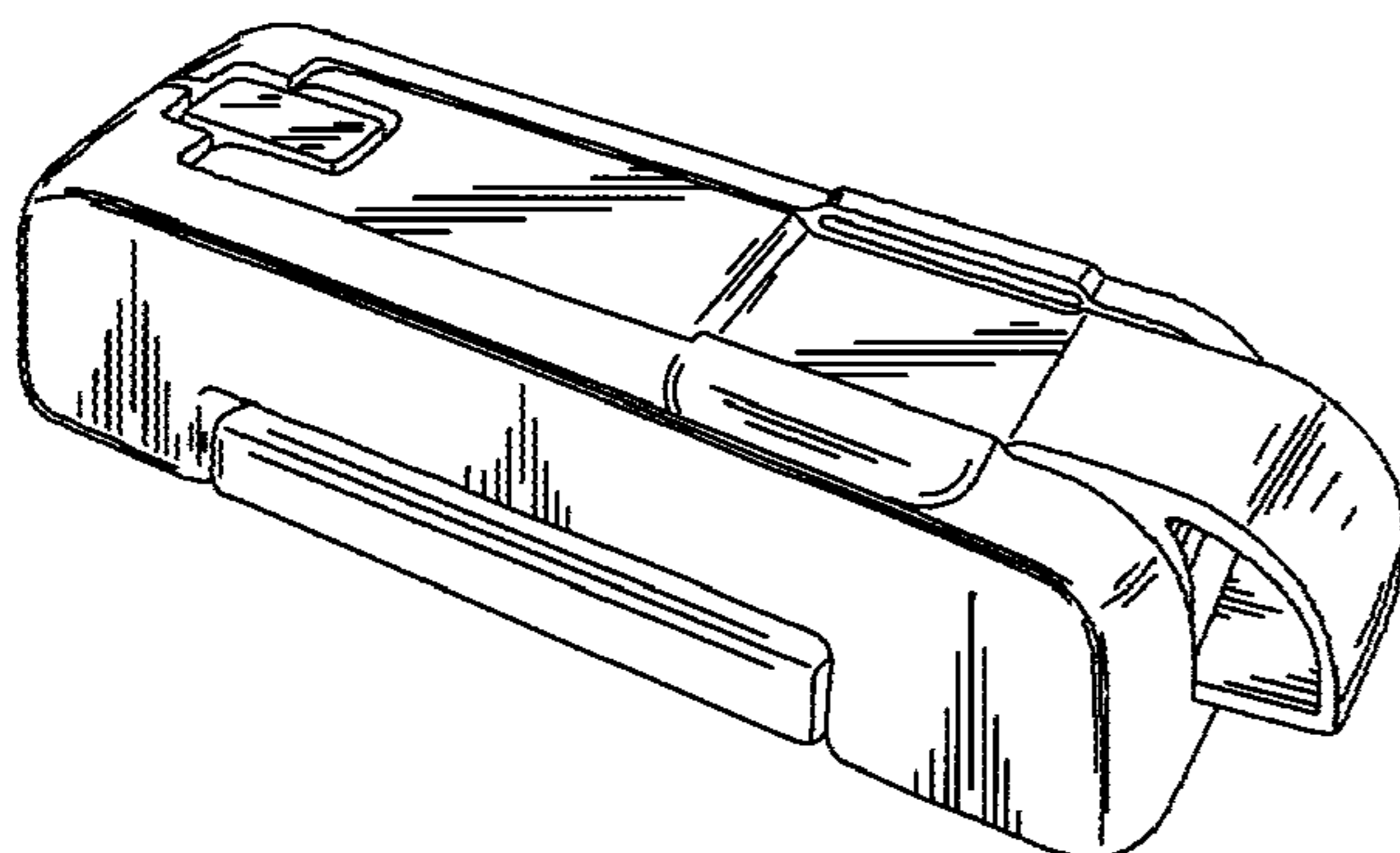
(57) **CLAIM**

The ornamental design for a seat belt mounted combination cutter and glass break tool.

DESCRIPTION

FIG. 1 is a perspective view of the seat belt mounted combination cutter and glass break tool showing my new design in a first position;
 FIG. 2 is a top view thereof.
 FIG. 3 is a side view thereof.
 FIG. 4 is a bottom view thereof.
 FIG. 5 is a rear view thereof.
 FIG. 6 is a front view thereof.
 FIG. 7 is a perspective view of seat belt mounted combination cutter and glass break tool showing my new design in a second position;
 FIG. 8 is a top view thereof;
 FIG. 9 is a side view thereof;
 FIG. 10 is a bottom view thereof;
 FIG. 11 is a front view thereof; and,
 FIG. 12 is a rear view thereof.

1 Claim, 2 Drawing Sheets



(56)

References Cited

U.S. PATENT DOCUMENTS

D595,105 S 6/2009 White
 7,557,720 B2 7/2009 Rubin
 D630,079 S * 1/2011 Seeds D8/105
 D650,257 S * 12/2011 Royes D8/105
 8,146,192 B2 4/2012 McGlynn
 8,505,348 B2 * 8/2013 Colasse A62B 3/005
 206/234
 D692,288 S * 10/2013 Locklear D8/105
 D694,609 S * 12/2013 Hicks D8/105
 D699,542 S * 2/2014 Rubin D8/105
 D707,097 S * 6/2014 Kao D29/124
 D714,123 S * 9/2014 Hicks D8/105
 D715,124 S * 10/2014 Hicks D8/105
 D724,408 S * 3/2015 Hicks D8/105
 D728,338 S * 5/2015 Hicks D8/105
 D732,369 S 6/2015 Rubin
 D738,699 S * 9/2015 Hicks D8/105

D744,807 S * 12/2015 Hicks D8/105
 9,254,560 B2 2/2016 Rubin
 9,265,976 B1 2/2016 Hensley
 2008/0222900 A1 9/2008 Lee
 2009/0265858 A1 * 10/2009 White A62B 3/005
 7/158
 2014/0259438 A1 * 9/2014 Rubin B25F 1/006
 7/163
 2018/0345892 A1 * 12/2018 Souders B60R 22/32

OTHER PUBLICATIONS

Entrepreneur Launches The Cut N Go, Jun. 19, 2018, <https://www.pnewswire.com/news-releases/a-car-seat-belt-escape-kit-entrepreneur-launches-the-cut-n-go-industrys-first-locked-on-self-enclosed-manually-guided-childproof-seat-belt-cutting-device-and-window-breaker-300668377.html> (Year: 2018).*

* cited by examiner

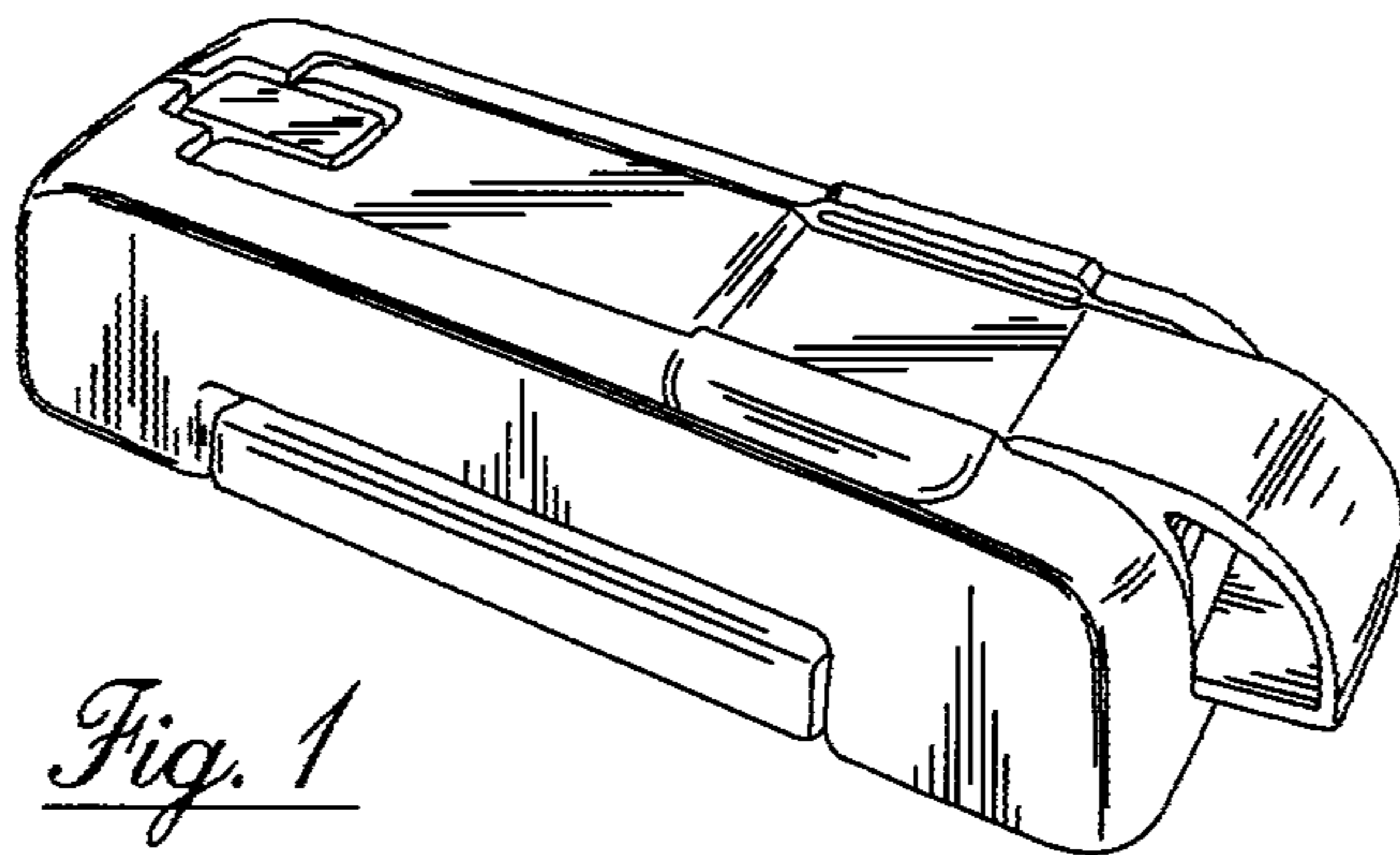


Fig. 1

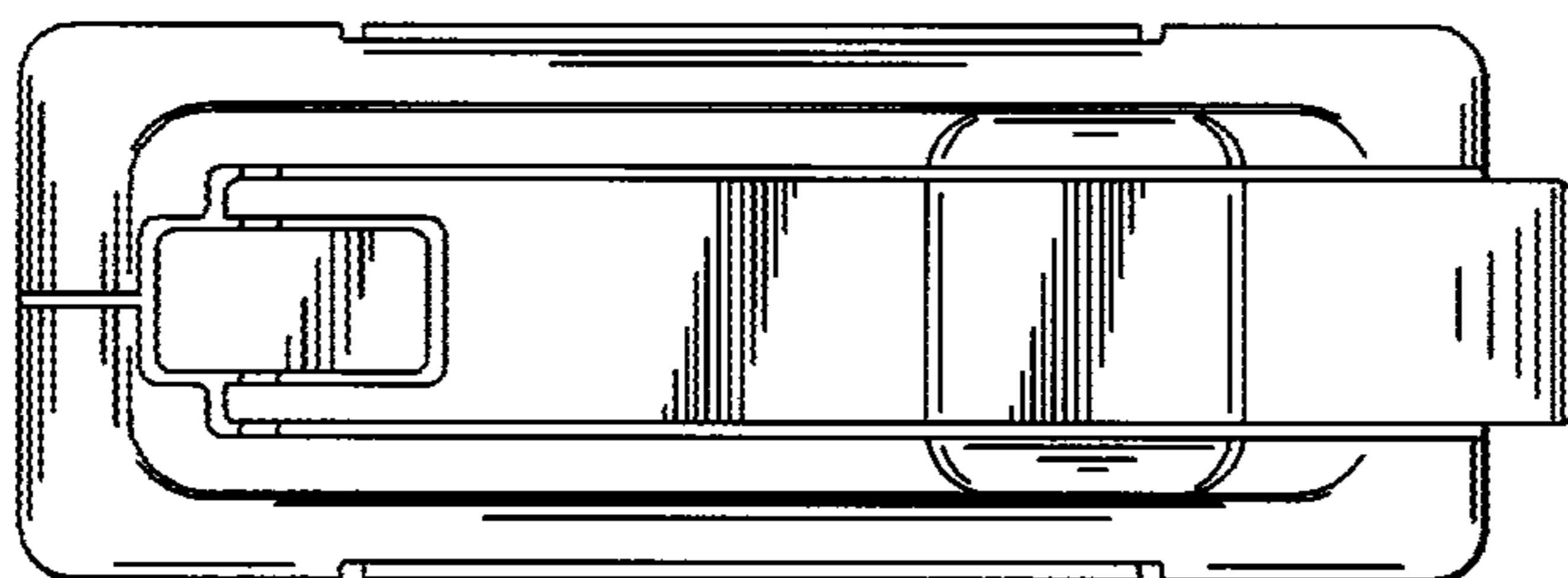


Fig. 2

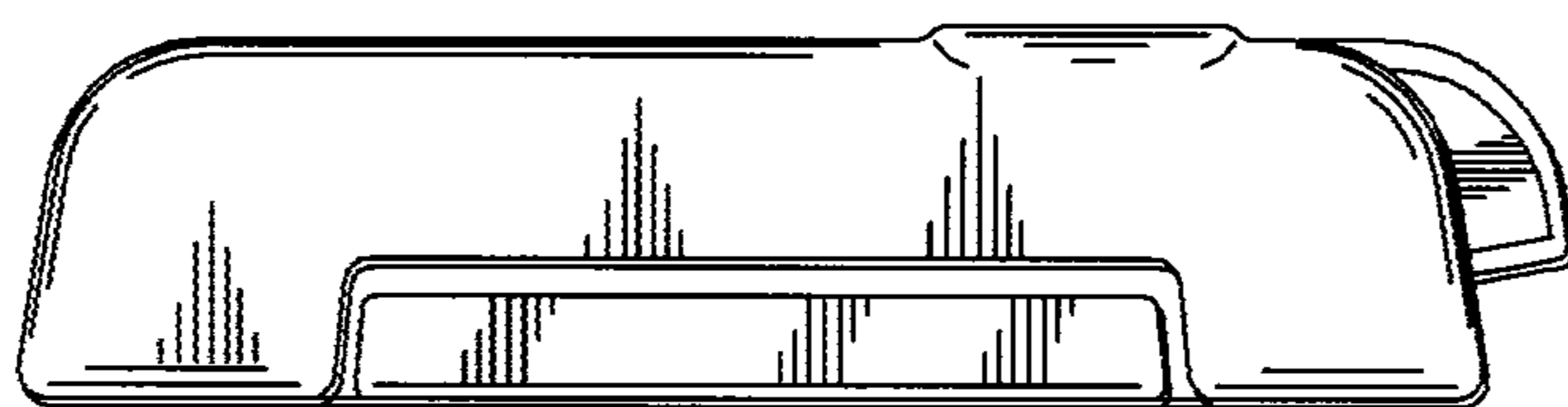


Fig. 3

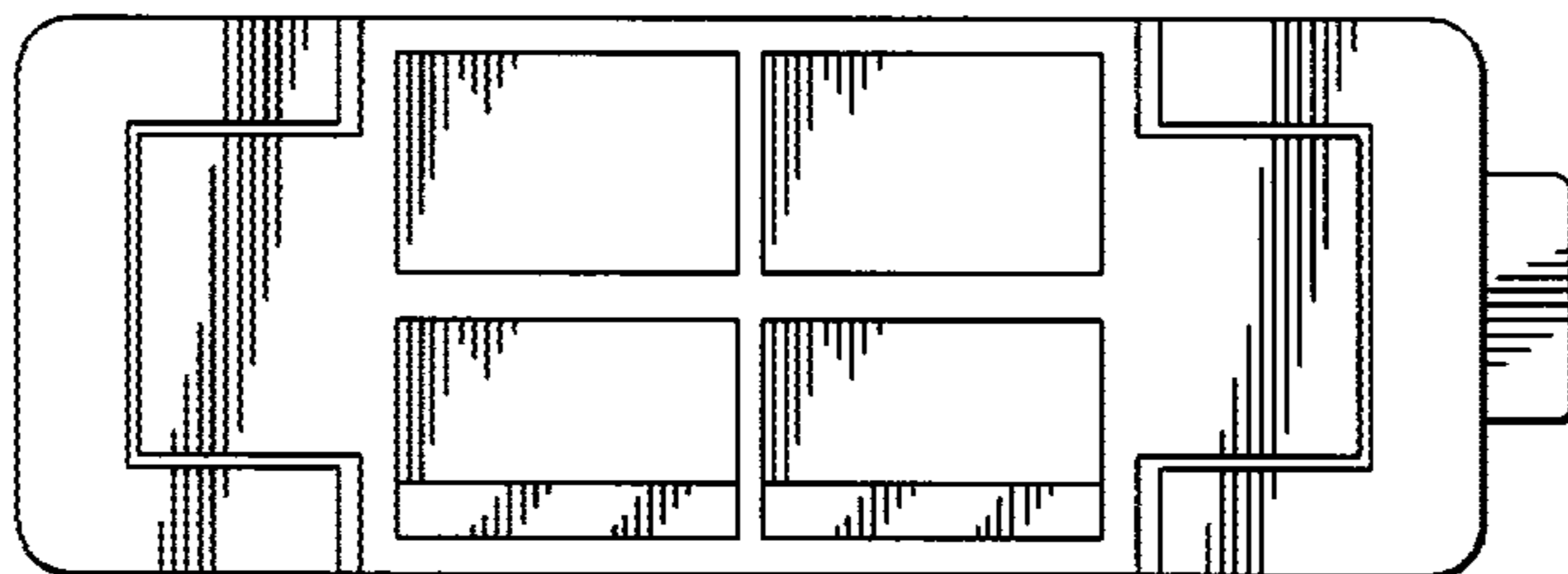


Fig. 4

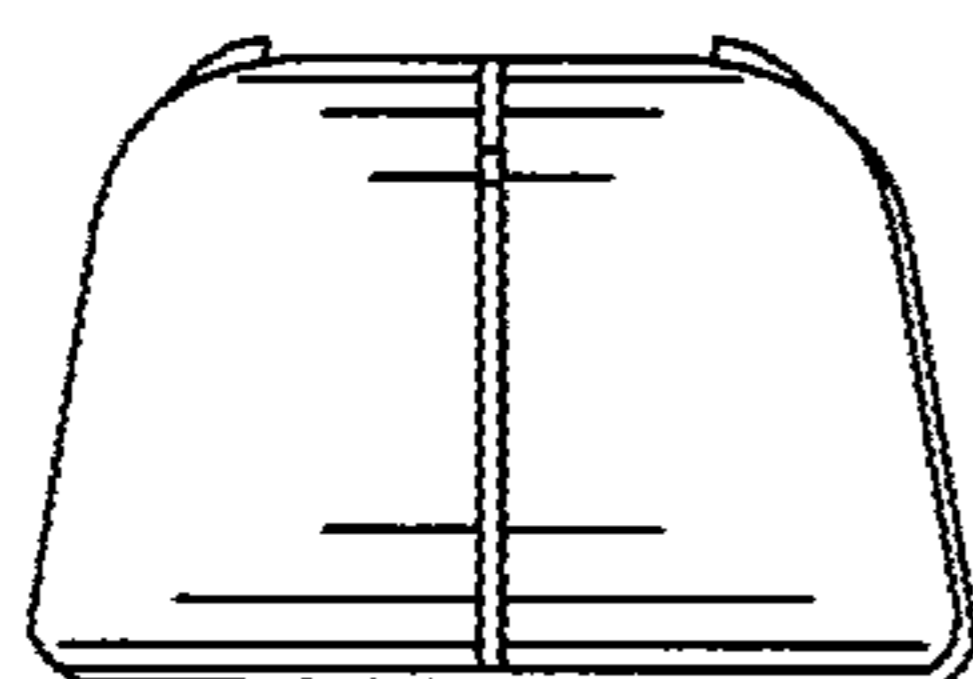
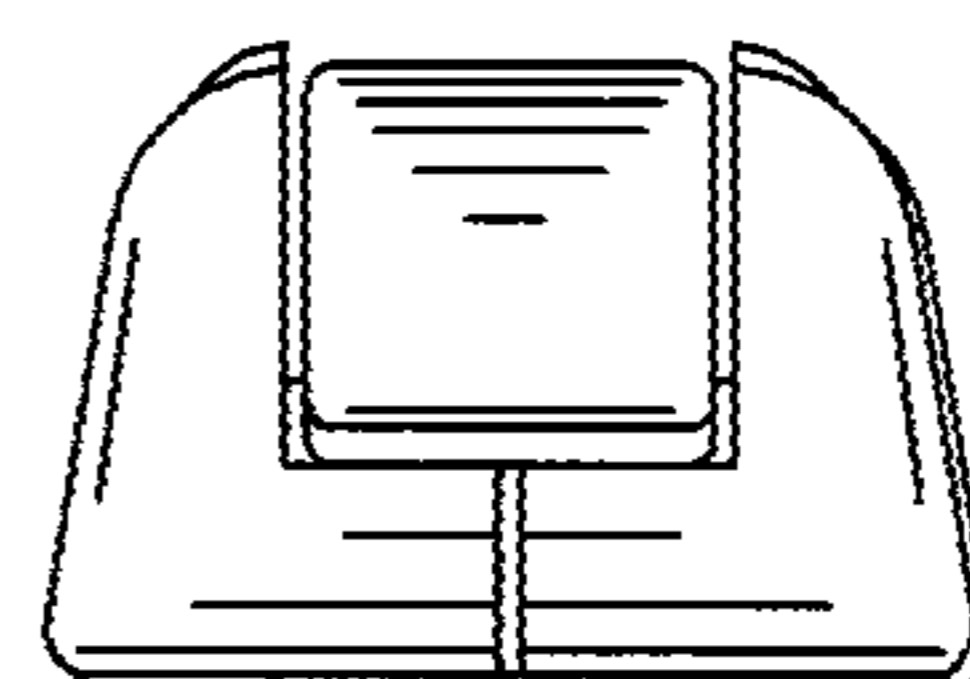


Fig. 5

Fig. 6



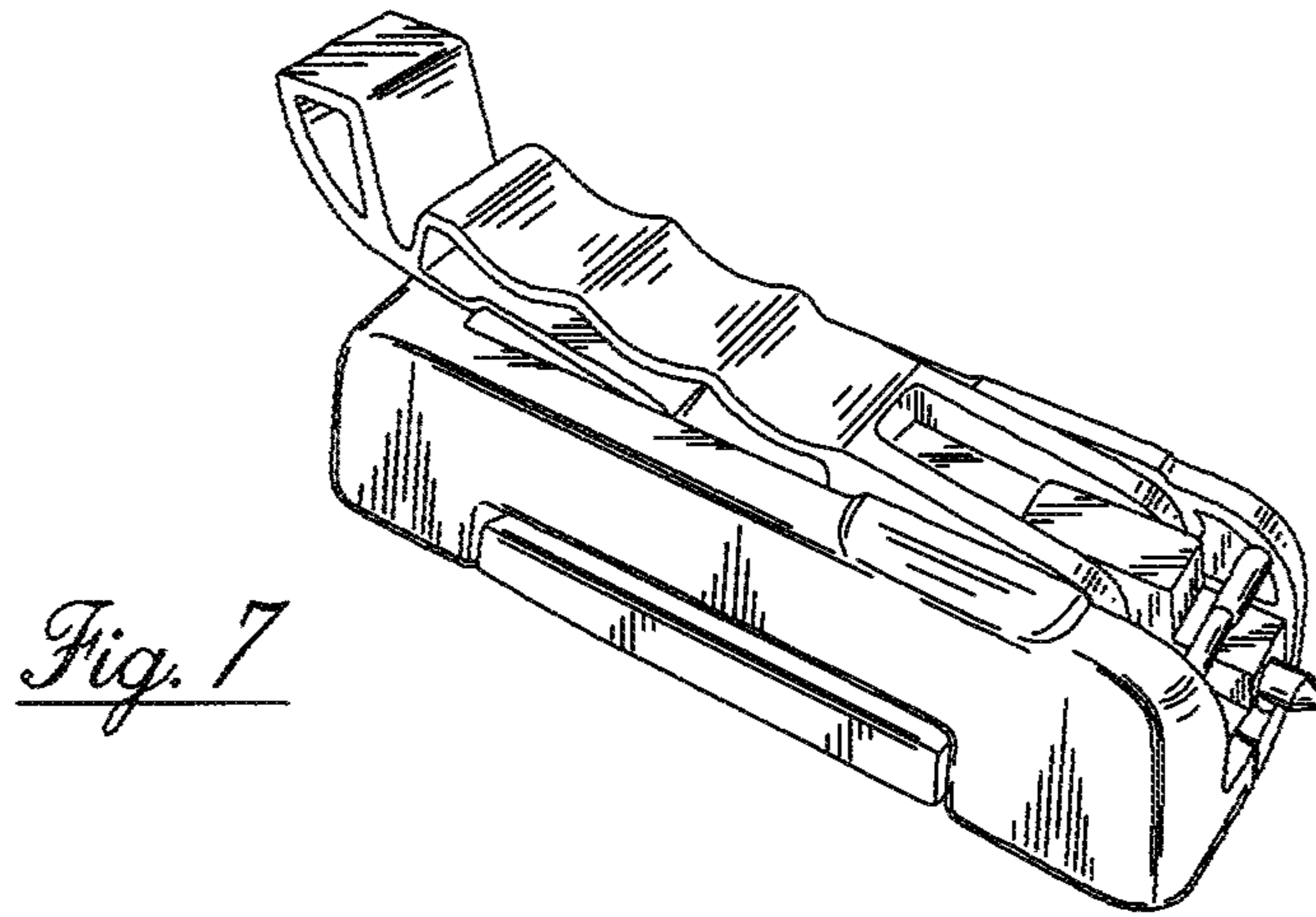


Fig. 7

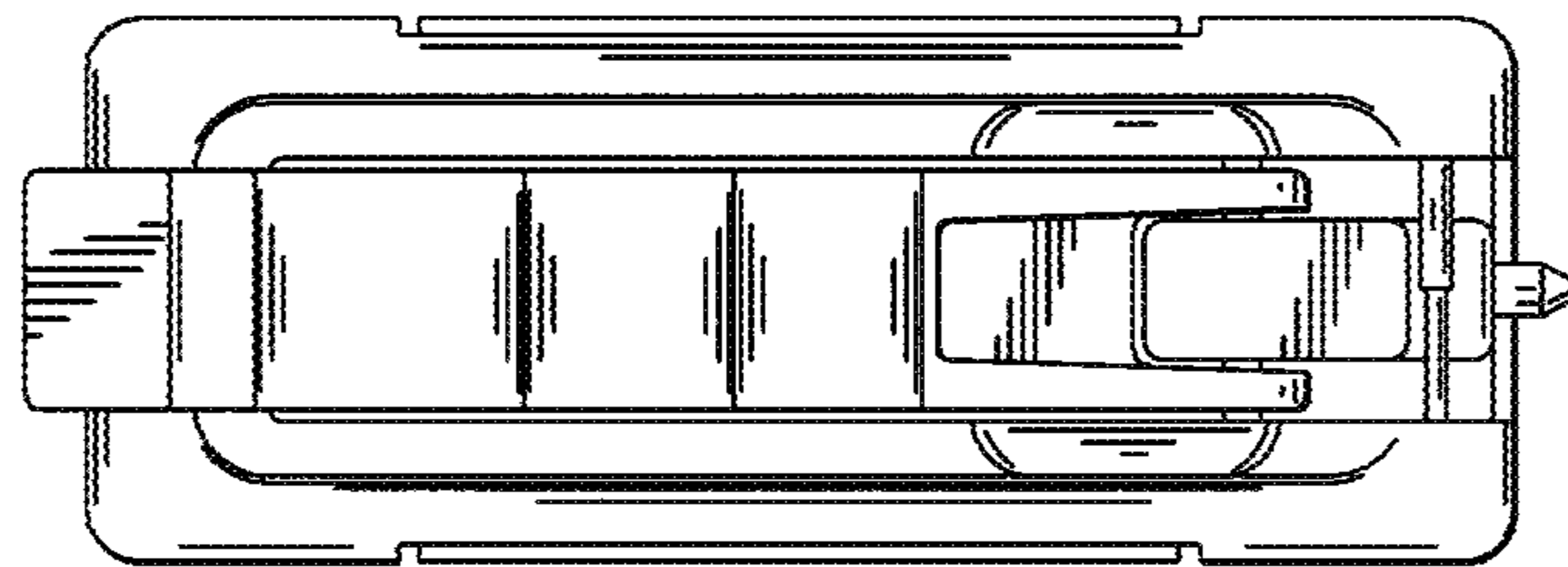


Fig. 8

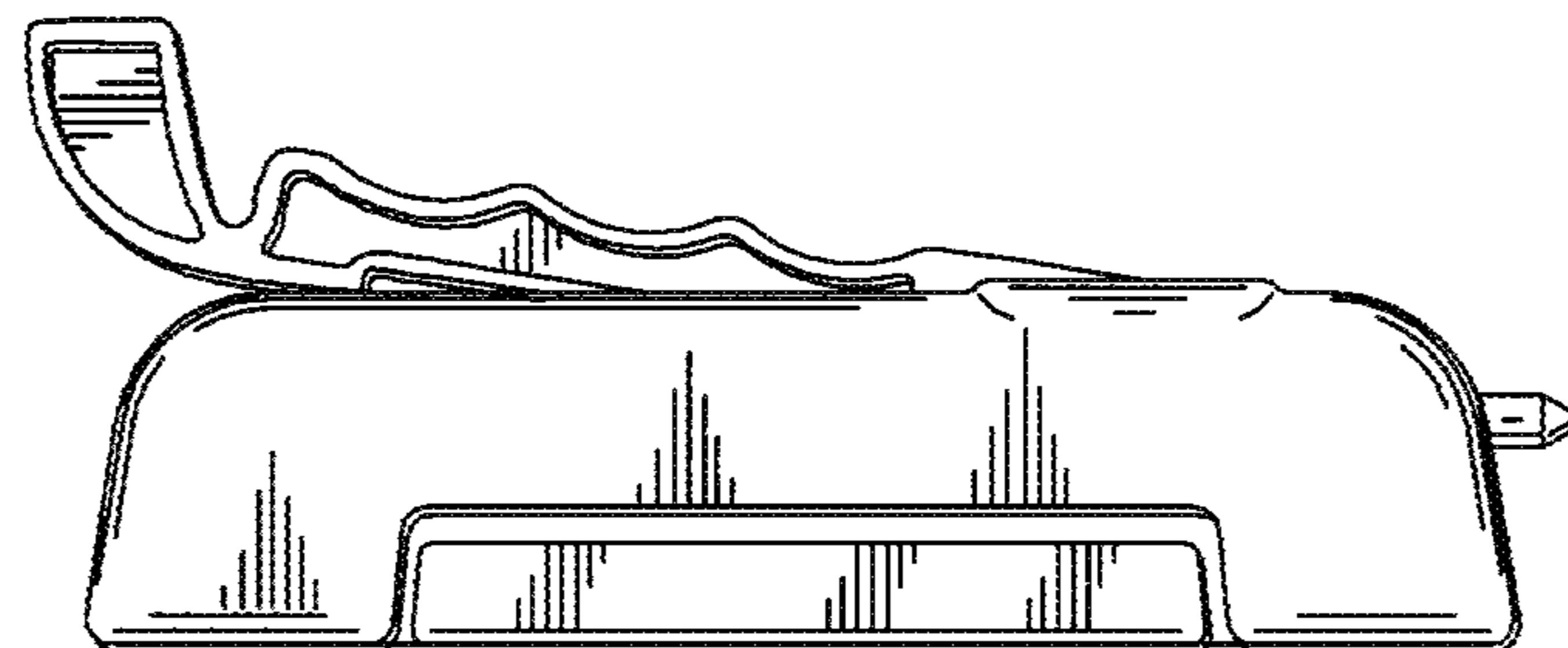


Fig. 9

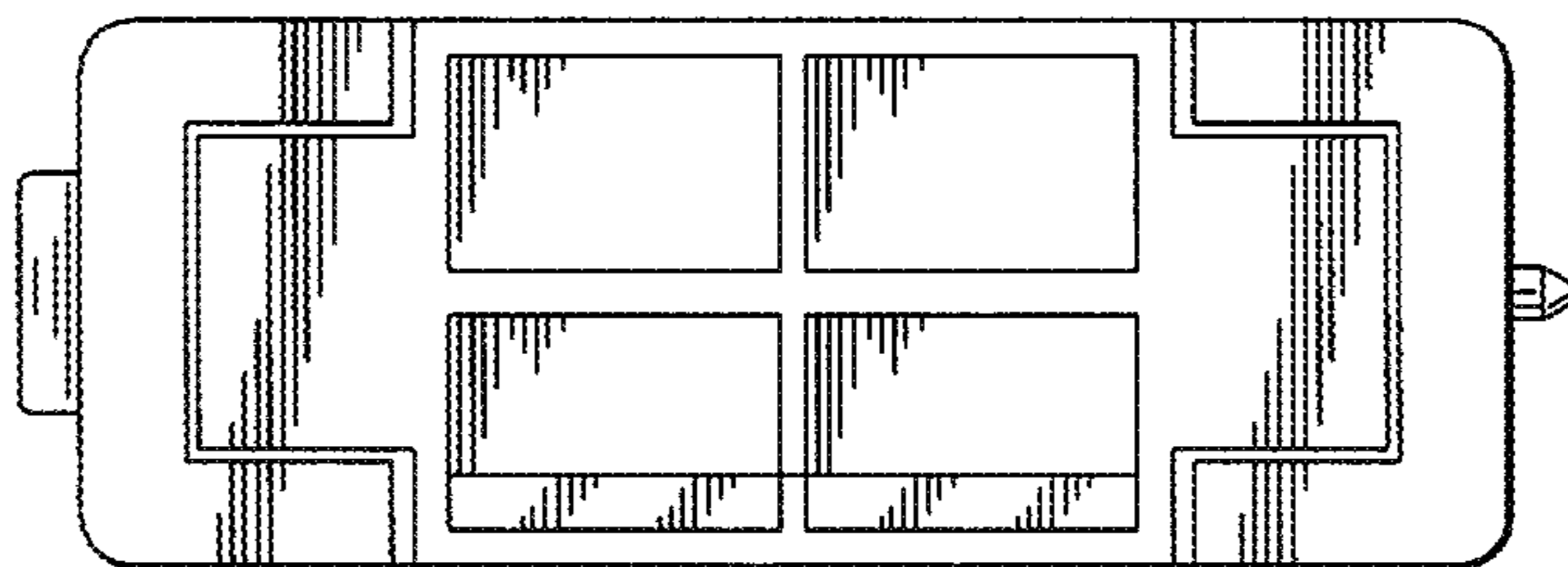


Fig. 10

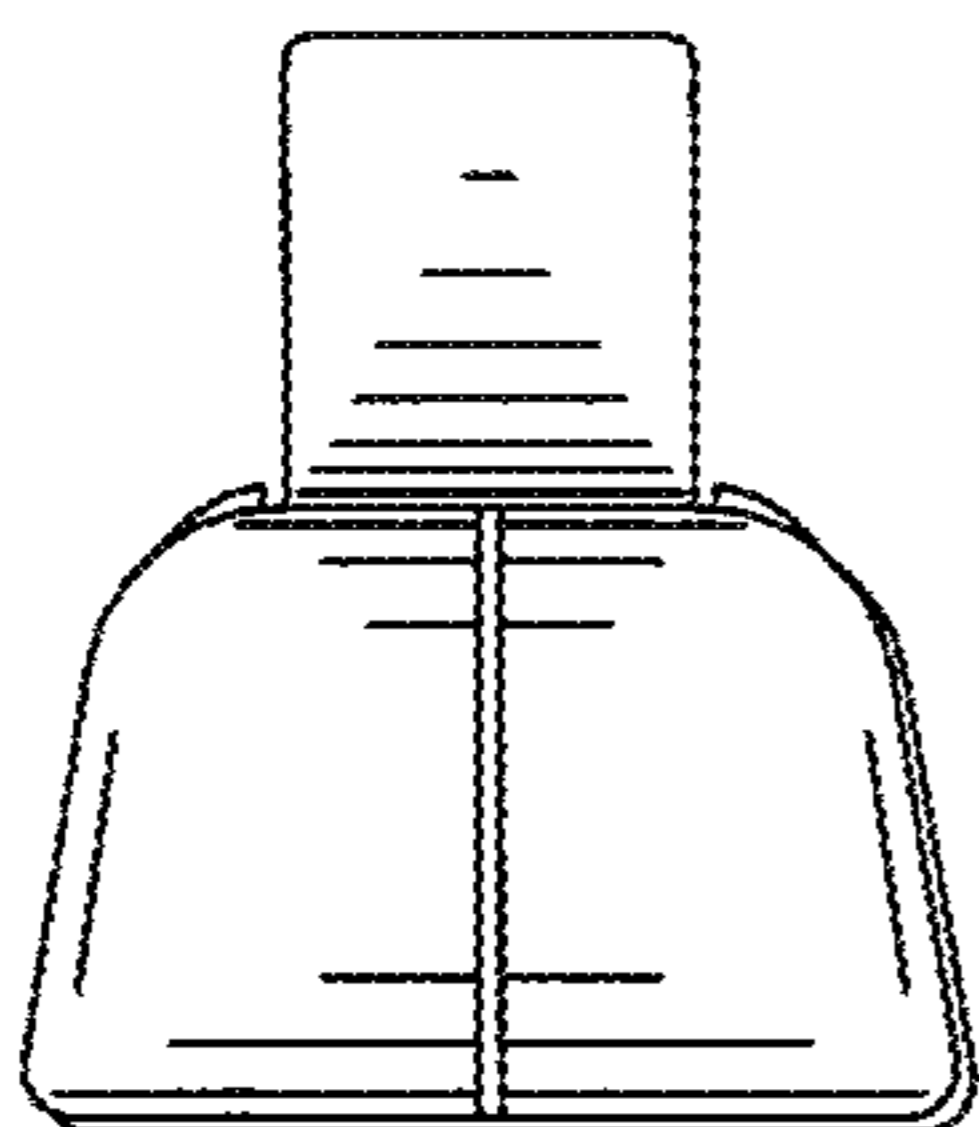


Fig. 11

Fig. 12

