



US00D874239S

(12) **United States Design Patent**
Pier

(10) **Patent No.:** **US D874,239 S**

(45) **Date of Patent:** **** Feb. 4, 2020**

(54) **TOOL FOR REPLACING AN ENDLESS TRACK ON A SKID STEER LOADER**

(71) Applicant: **David K. Pier**, Bellbrook, OH (US)

(72) Inventor: **David K. Pier**, Bellbrook, OH (US)

(**) Term: **15 Years**

(21) Appl. No.: **29/648,529**

(22) Filed: **May 22, 2018**

(51) **LOC (12) Cl.** **08-05**

(52) **U.S. Cl.**
USPC **D8/88; D8/14**

(58) **Field of Classification Search**
USPC D8/14, 76, 77, 88, 89, 105
CPC B25B 27/22; B25B 27/00; B25B 27/02;
B25C 11/00; B66F 15/00
See application file for complete search history.

(56) **References Cited**

U.S. PATENT DOCUMENTS

- 3,150,859 A * 9/1964 Payne B62D 55/32
254/228
- 3,661,539 A * 5/1972 Eastman B25B 27/22
29/270
- 4,258,463 A * 3/1981 Lindquist B25B 27/22
29/270

- 6,662,421 B1 * 12/2003 Krippelz, Sr. B25B 27/0035
248/229.12
- 7,310,864 B1 * 12/2007 Gingerich B25B 1/103
269/147
- 7,634,899 B2 * 12/2009 Otter B21L 21/00
254/100
- 2011/0277297 A1 * 11/2011 Rich B25B 27/22
29/428

* cited by examiner

Primary Examiner — Philip S Hyder

(74) *Attorney, Agent, or Firm* — Jacox, Meckstroth & Jenkins

(57) **CLAIM**

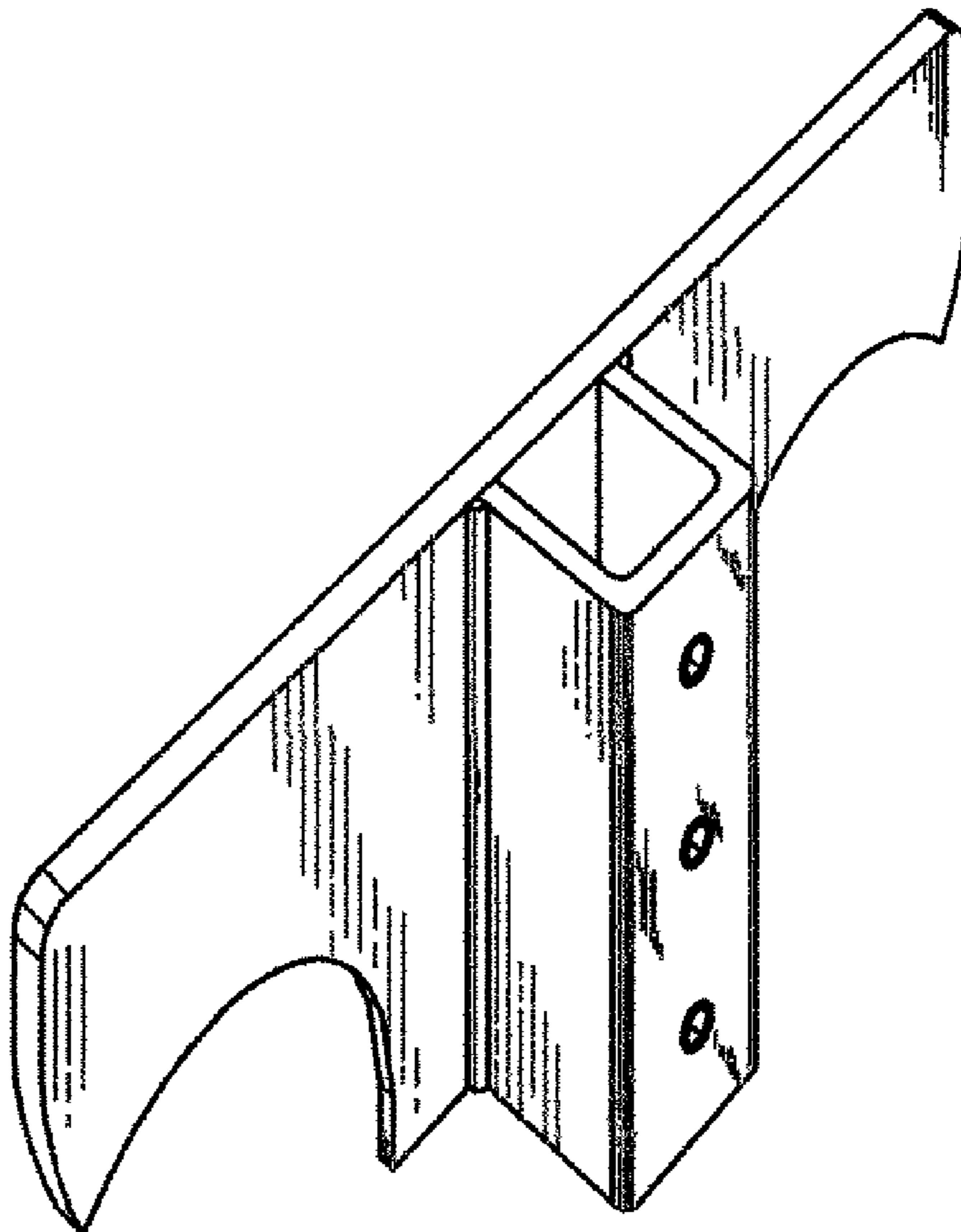
The ornamental design for a tool for replacing an endless track on a skid steer loader, as shown and described.

DESCRIPTION

FIG. 1 is a perspective view of a tool for replacing an endless track on a skid steer loader showing my new design; FIG. 2 is a front view thereof; FIG. 3 is a side view thereof, the opposite side view being a mirror image thereof; FIG. 4 is a rear view thereof; FIG. 5 is a top view thereof; and, FIG. 6 is a bottom view thereof.

The elongated pry bar shown in phantom in FIGS. 2-4 is for environmental purposes only and forms no part of the claimed design.

1 Claim, 1 Drawing Sheet



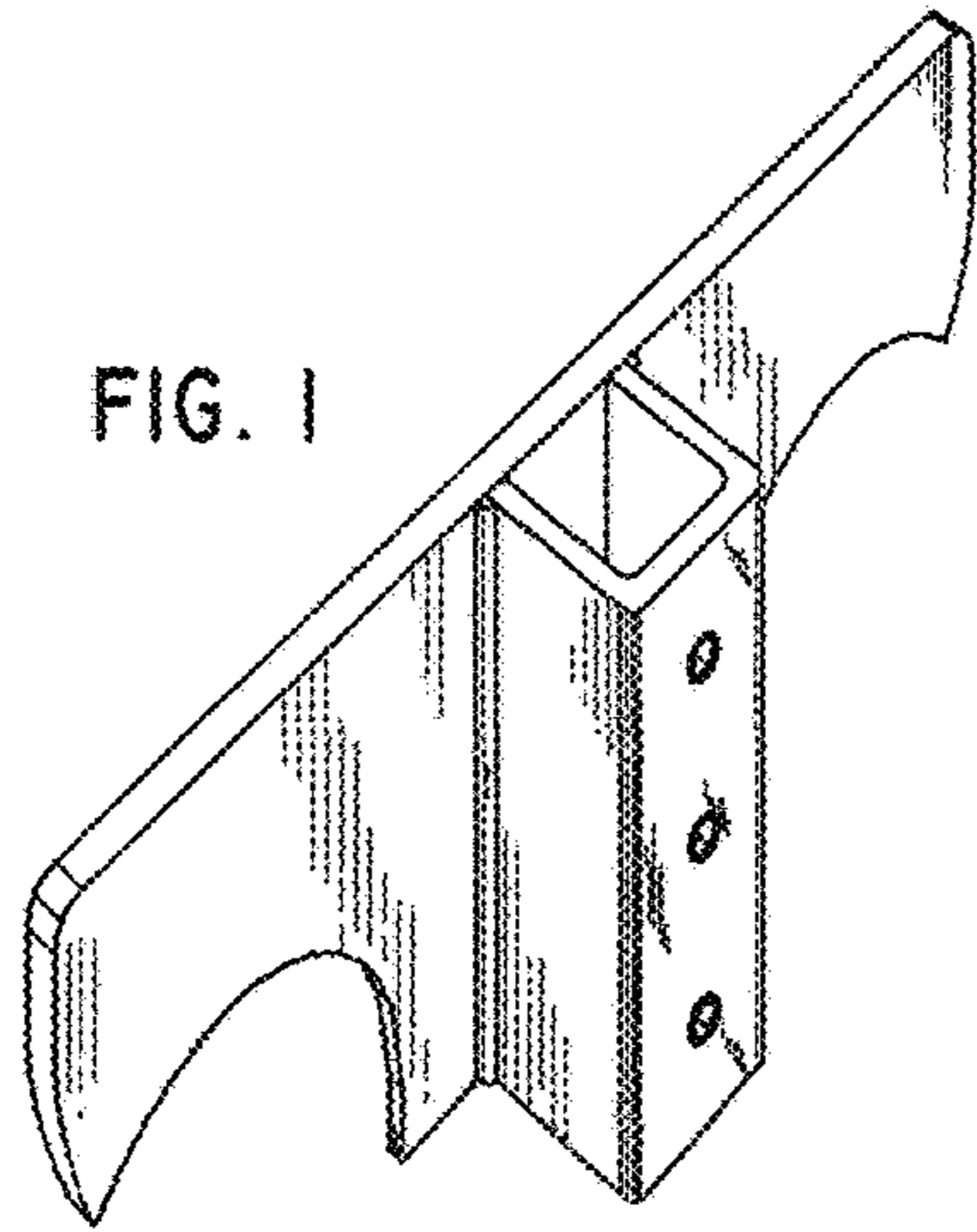


FIG. 1

FIG. 2

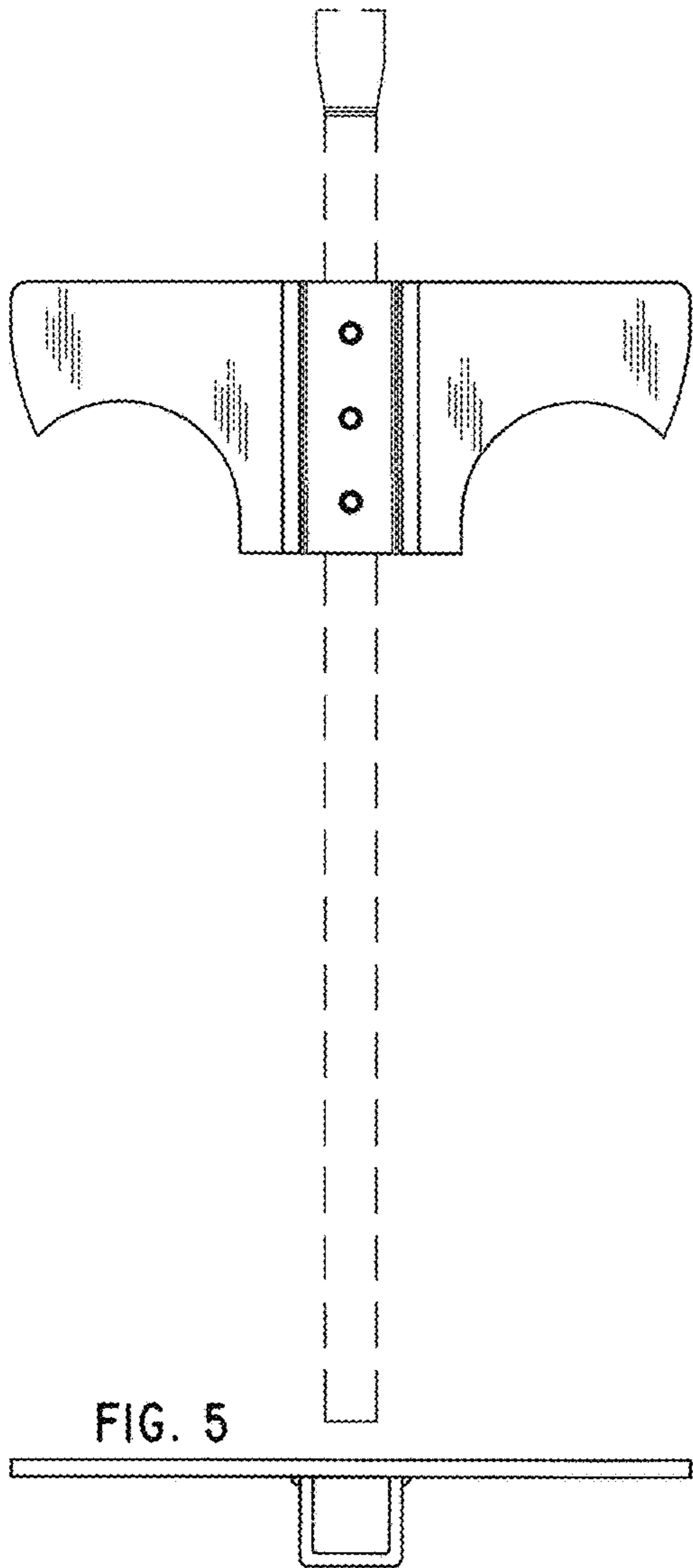


FIG. 5

FIG. 3

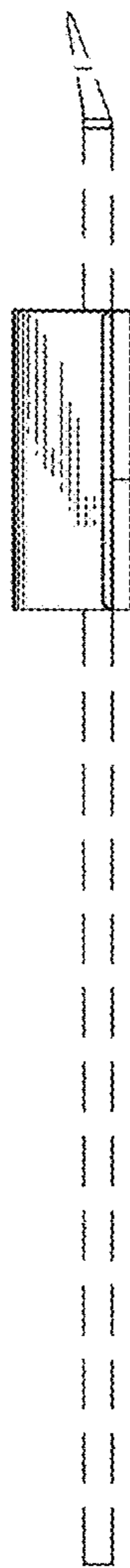


FIG. 4

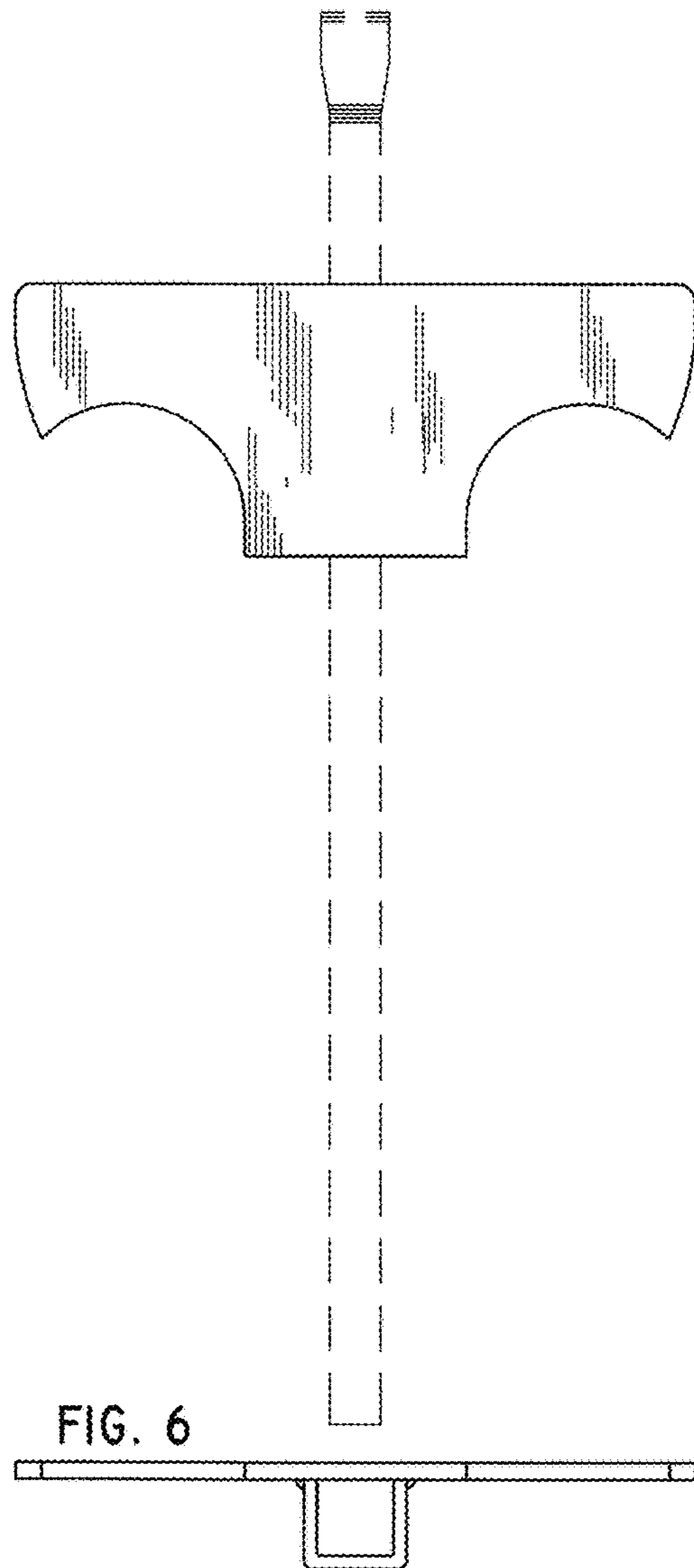


FIG. 6