



US00D874238S

(12) **United States Design Patent**
Nix et al.

(10) **Patent No.:** **US D874,238 S**
(45) **Date of Patent:** **** Feb. 4, 2020**

(54) **POWER TOOL EXTENSION HANDLE APPARATUS**

(71) Applicant: **Uber Nikeo, LLC**, Lake Forest, CA (US)

(72) Inventors: **Brian Paul Nix**, Laguna Niguel, CA (US); **William Paul Seidel**, San Clemente, CA (US)

(73) Assignee: **Uber Nikeo, LLC**, Lake Forest, CA (US)

(**) Term: **15 Years**

(21) Appl. No.: **29/664,300**

(22) Filed: **Sep. 24, 2018**

Related U.S. Application Data

(62) Division of application No. 29/606,943, filed on Jun. 8, 2017, now Pat. No. Des. 832,069.

(51) **LOC (12) Cl.** **08-05**

(52) **U.S. Cl.**
USPC **D8/70**

(58) **Field of Classification Search**
USPC D8/12, 61, 68, 70, 71, 72, 74, 75-77, 80, D8/83, 94, 98, 99, 101, 102, 104, 105, D8/107, 300, 303, 307; D21/568, 756, D21/757; D22/117, 118; D7/393, 395, D7/642, 664
CPC B23D 29/005; B23D 29/02; B25F 3/00; B26B 15/00
See application file for complete search history.

(56) **References Cited**

U.S. PATENT DOCUMENTS

D435,207 S * 12/2000 Nathenson D8/70
D467,484 S * 12/2002 Schoen D8/70

6,558,235 B2 5/2003 Berg et al.
D476,872 S * 7/2003 Wang D8/70
D487,686 S * 3/2004 Milbourne D8/70
D492,177 S * 6/2004 Wright D8/70
D492,178 S * 6/2004 Wright D8/70
D497,530 S * 10/2004 Wu D10/69
D632,943 S * 2/2011 Cabriaes D8/70
D677,545 S * 3/2013 Sell D8/70
D719,806 S * 12/2014 Wiedemann D8/70
9,333,615 B1 5/2016 Johnson
9,463,566 B2 * 10/2016 Yoshikane B25F 5/02
D788,560 S * 6/2017 Fisher D8/107
9,701,032 B2 * 7/2017 Moss B23D 29/005
2003/0096565 A1 5/2003 Dotta

(Continued)

Primary Examiner — Darlington Ly

(74) *Attorney, Agent, or Firm* — Lodestone Legal Group; Jeromye V. Sartain

(57) **CLAIM**

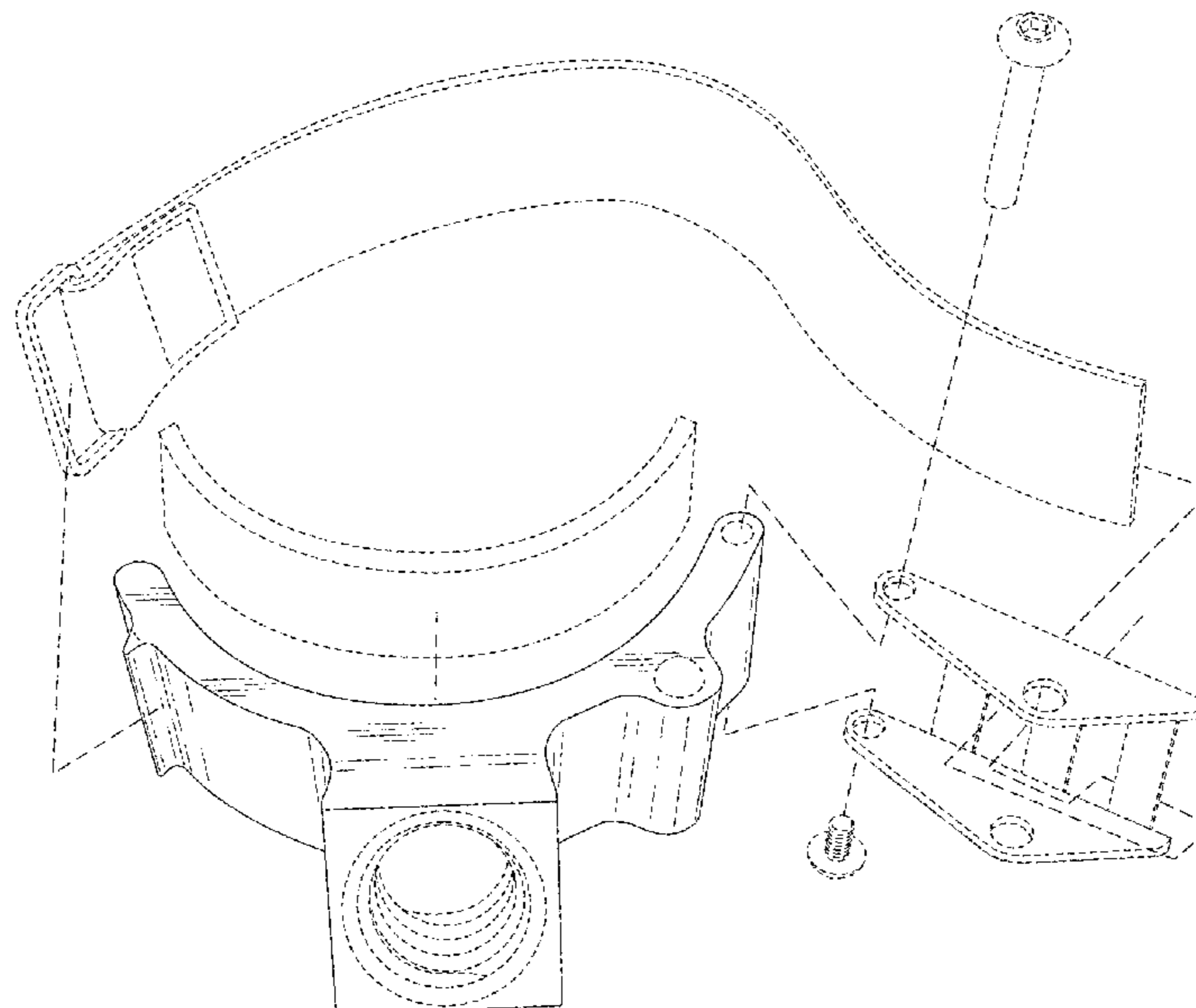
The ornamental design for a power tool extension handle apparatus, as shown and described.

DESCRIPTION

FIG. 1 is an exploded perspective view of a power tool extension handle apparatus showing our new design; FIG. 2 is a front elevation view thereof; FIG. 3 is a rear elevation view thereof; FIG. 4 is a left side elevation view thereof; FIG. 5 is a right side elevation view thereof; FIG. 6 is a top plan view thereof; and, FIG. 7 is a bottom plan view thereof.

The broken lines in the drawings illustrate portions of the power tool extension handle apparatus that form no part of the claimed design. Specifically, the broken line showing of a strap, a buckle with pivot bolt and screw, and a curved pad in FIG. 1 represent environment and so for clarity are not shown in related FIGS. 2-7. All other broken lines in FIGS. 1-7 represent unclaimed portions of the article.

1 Claim, 3 Drawing Sheets



(56)

References Cited

U.S. PATENT DOCUMENTS

2004/0147209 A1 7/2004 Bickford et al.
2006/0073777 A1 4/2006 Dotta et al.

* cited by examiner

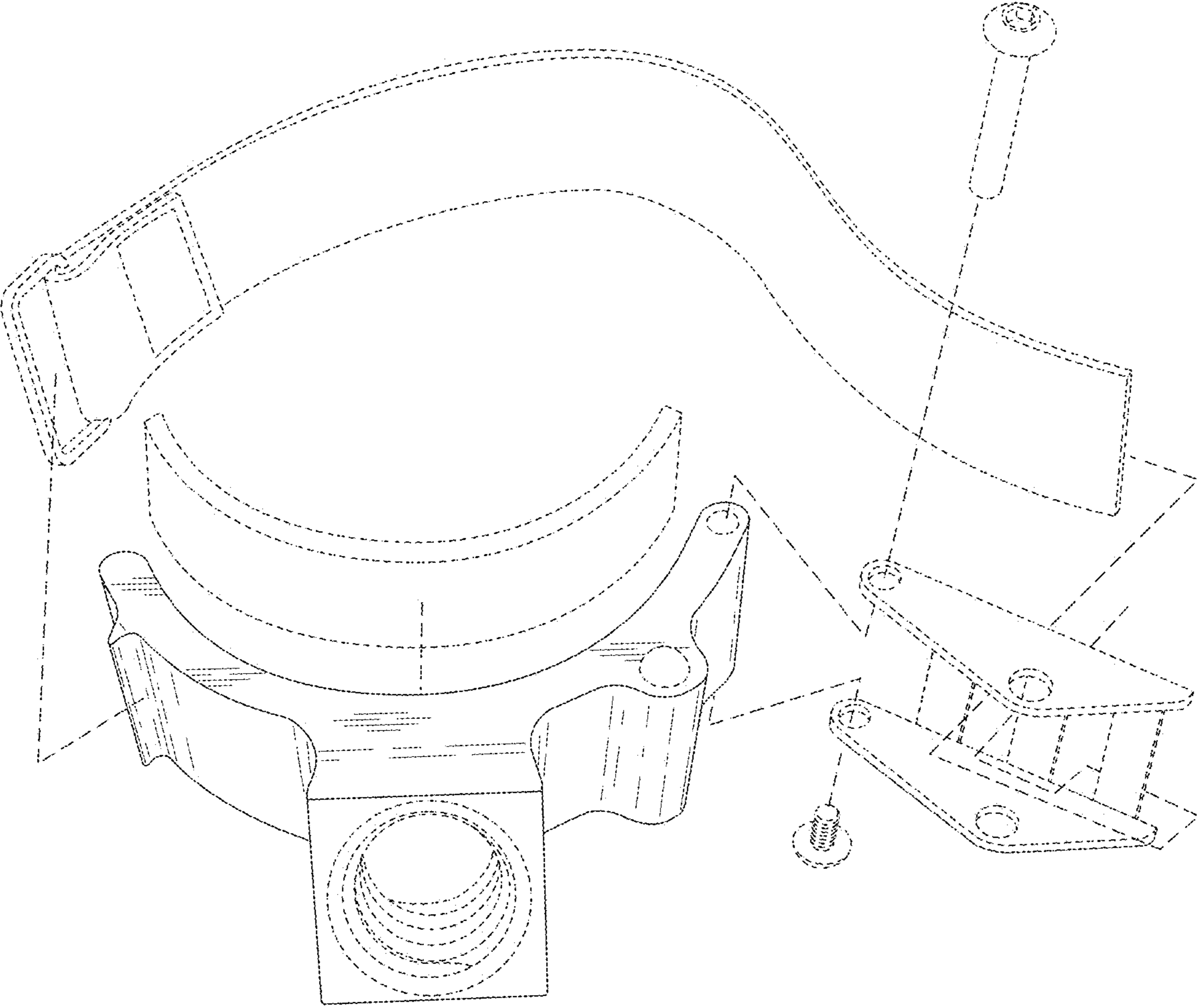


Fig. 1

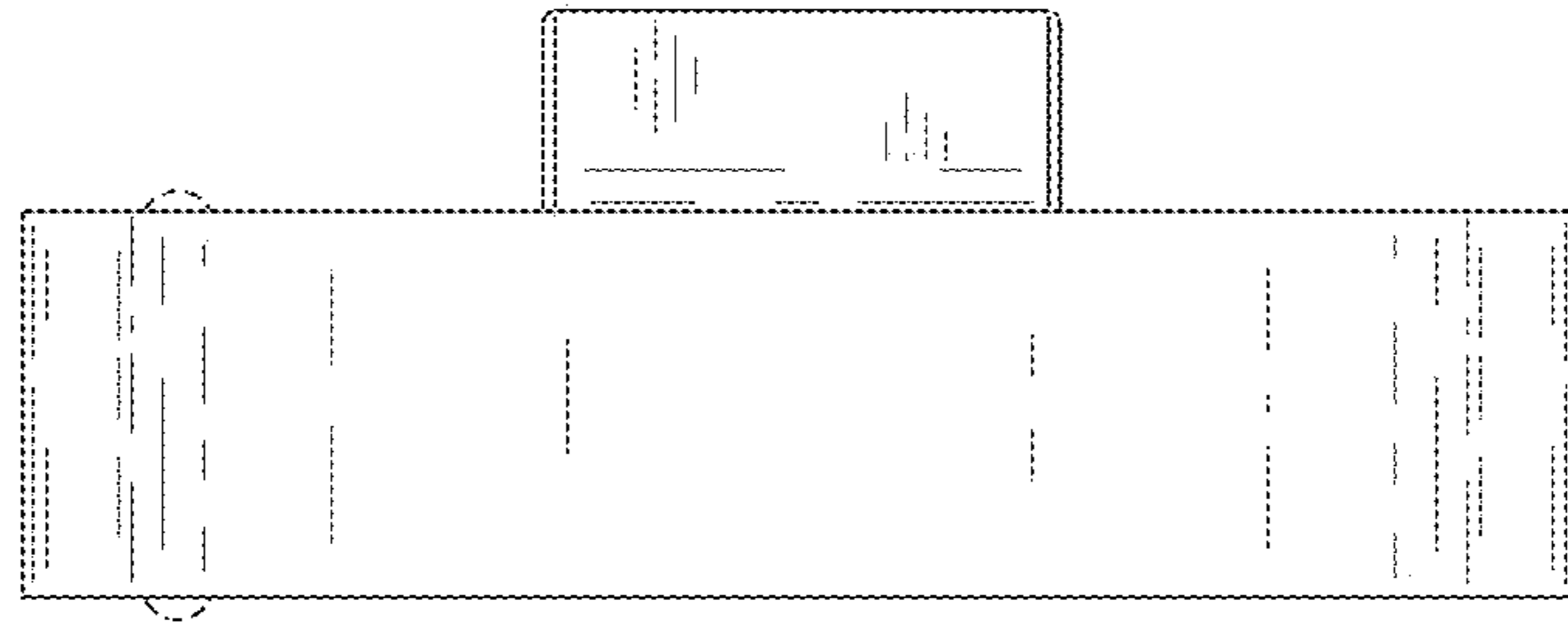


Fig. 2

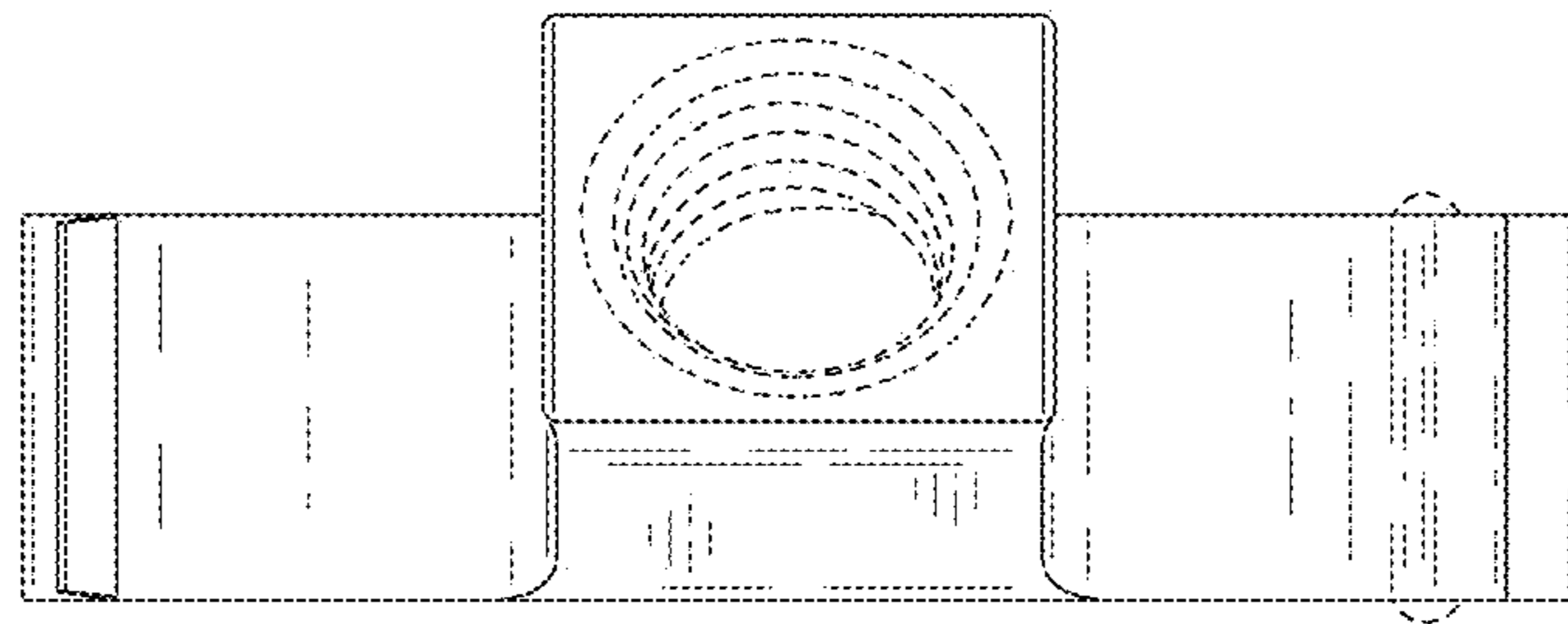


Fig. 3

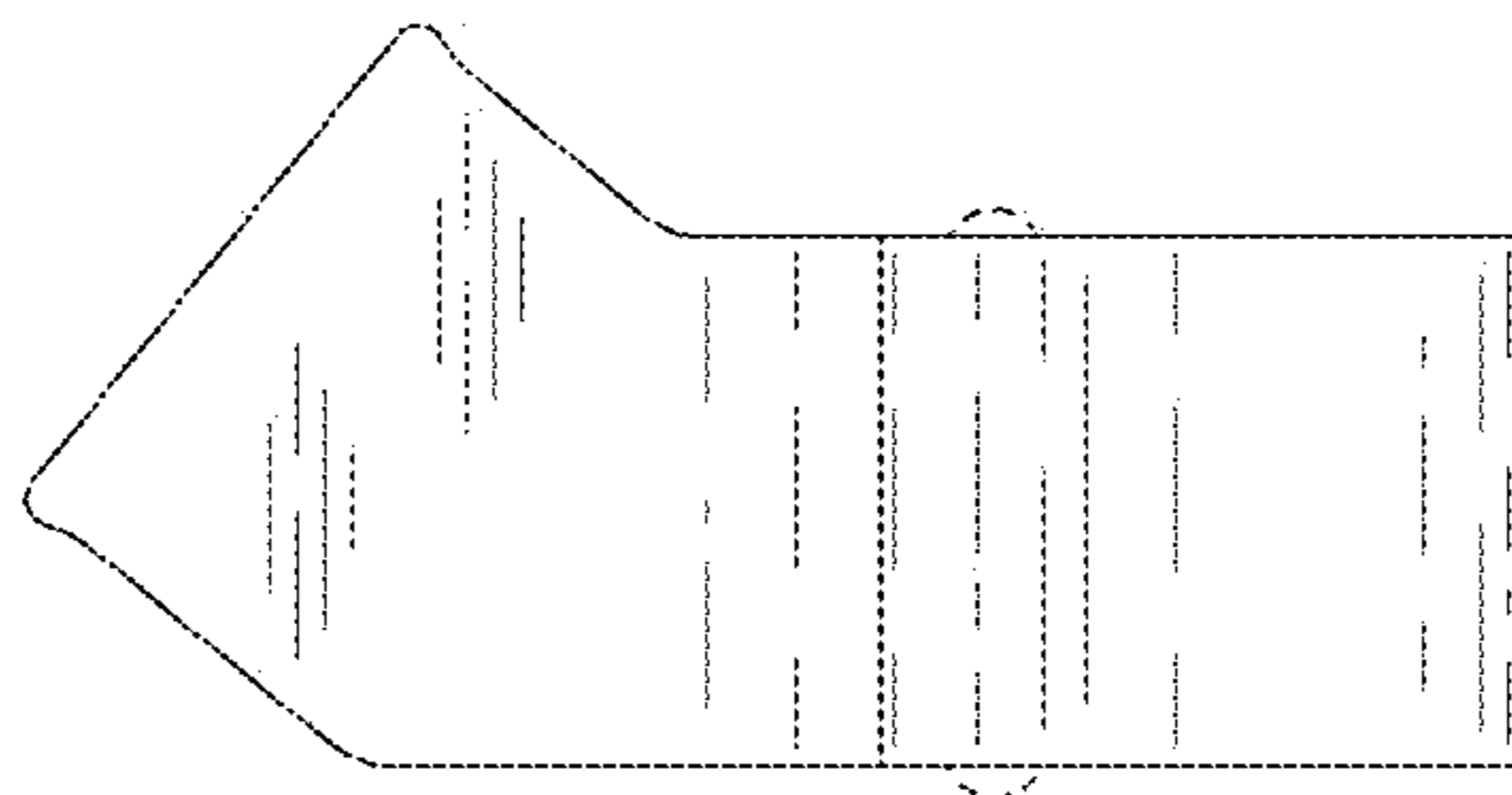


Fig. 4

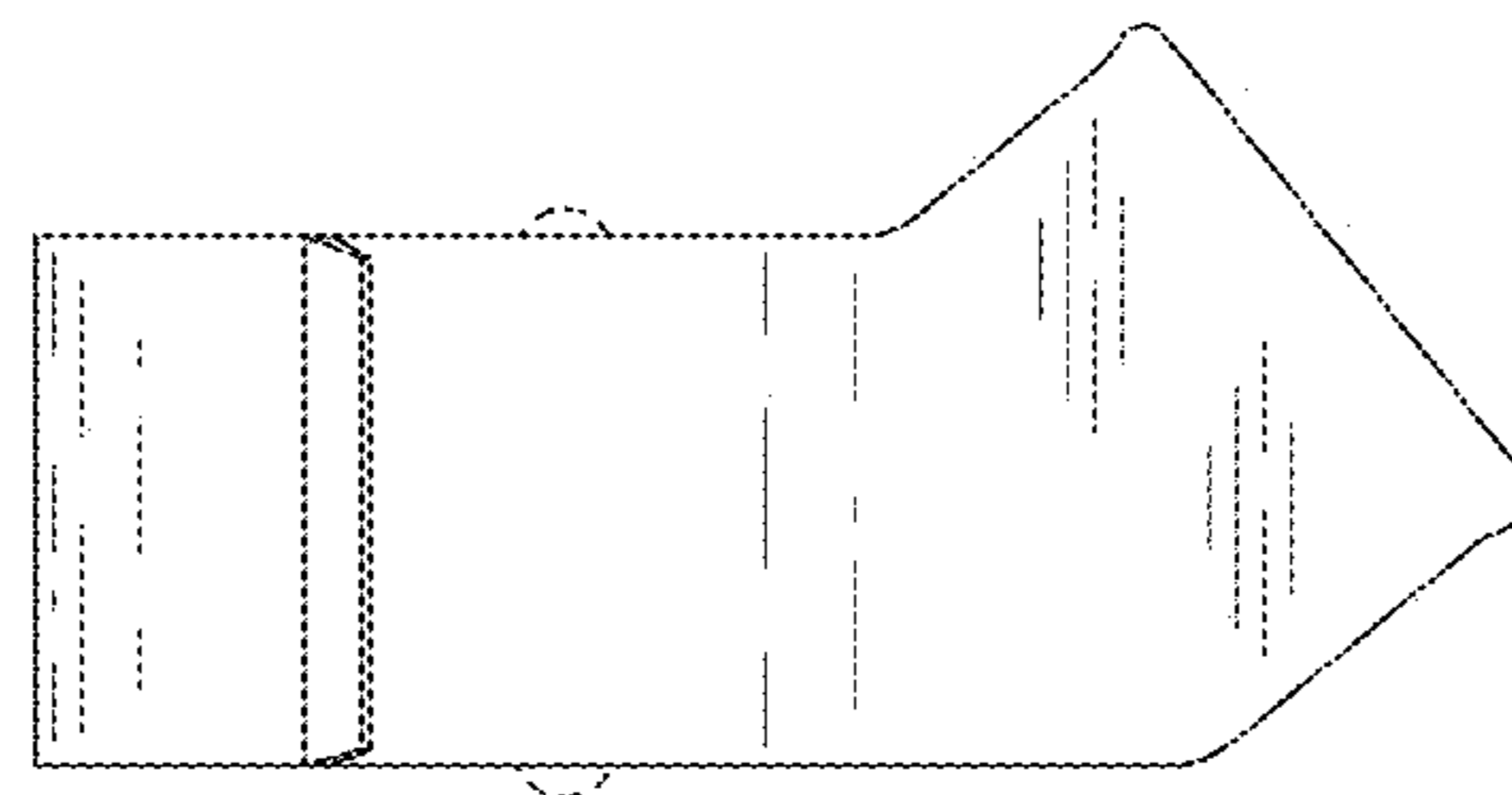


Fig. 5

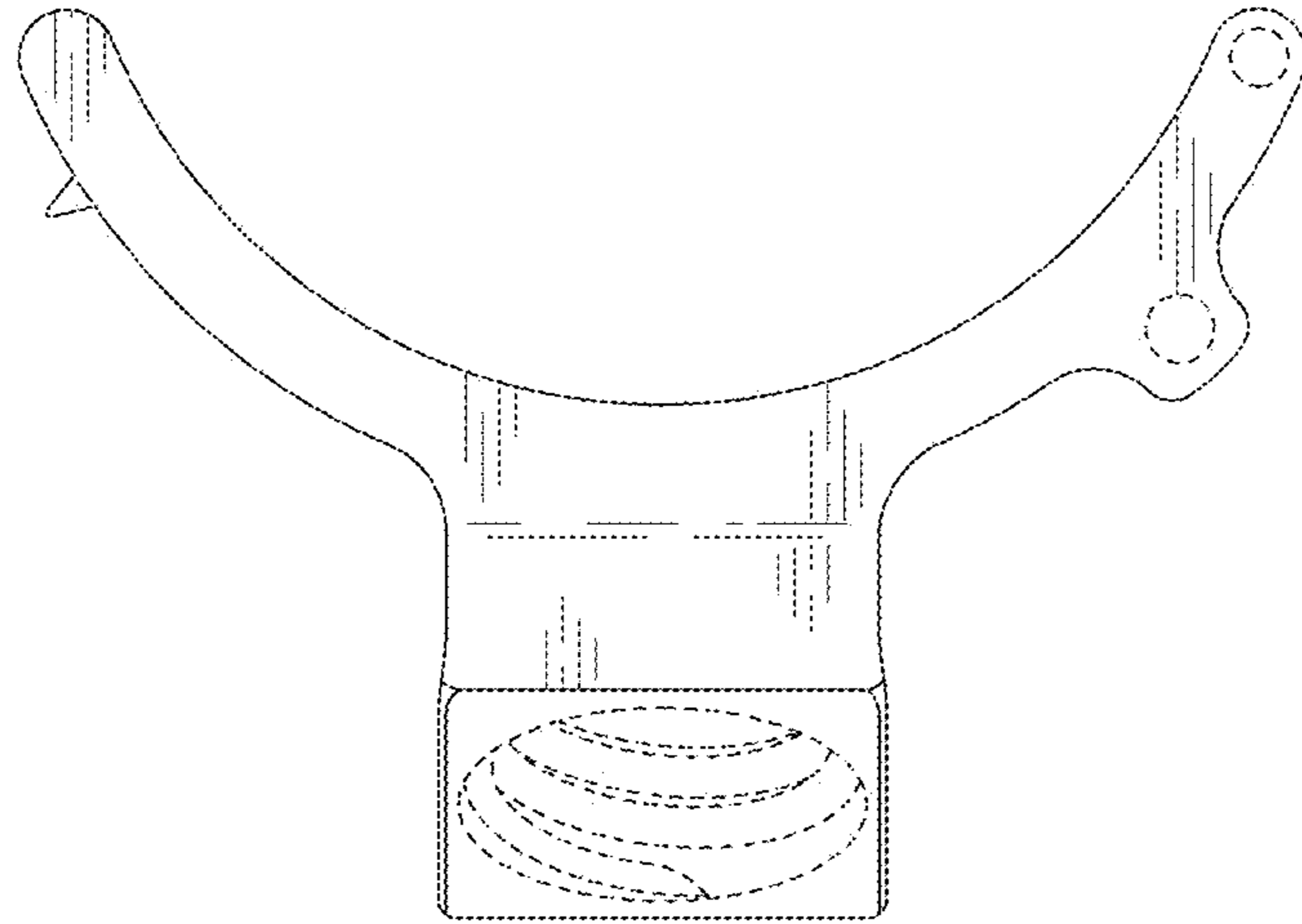


Fig. 6

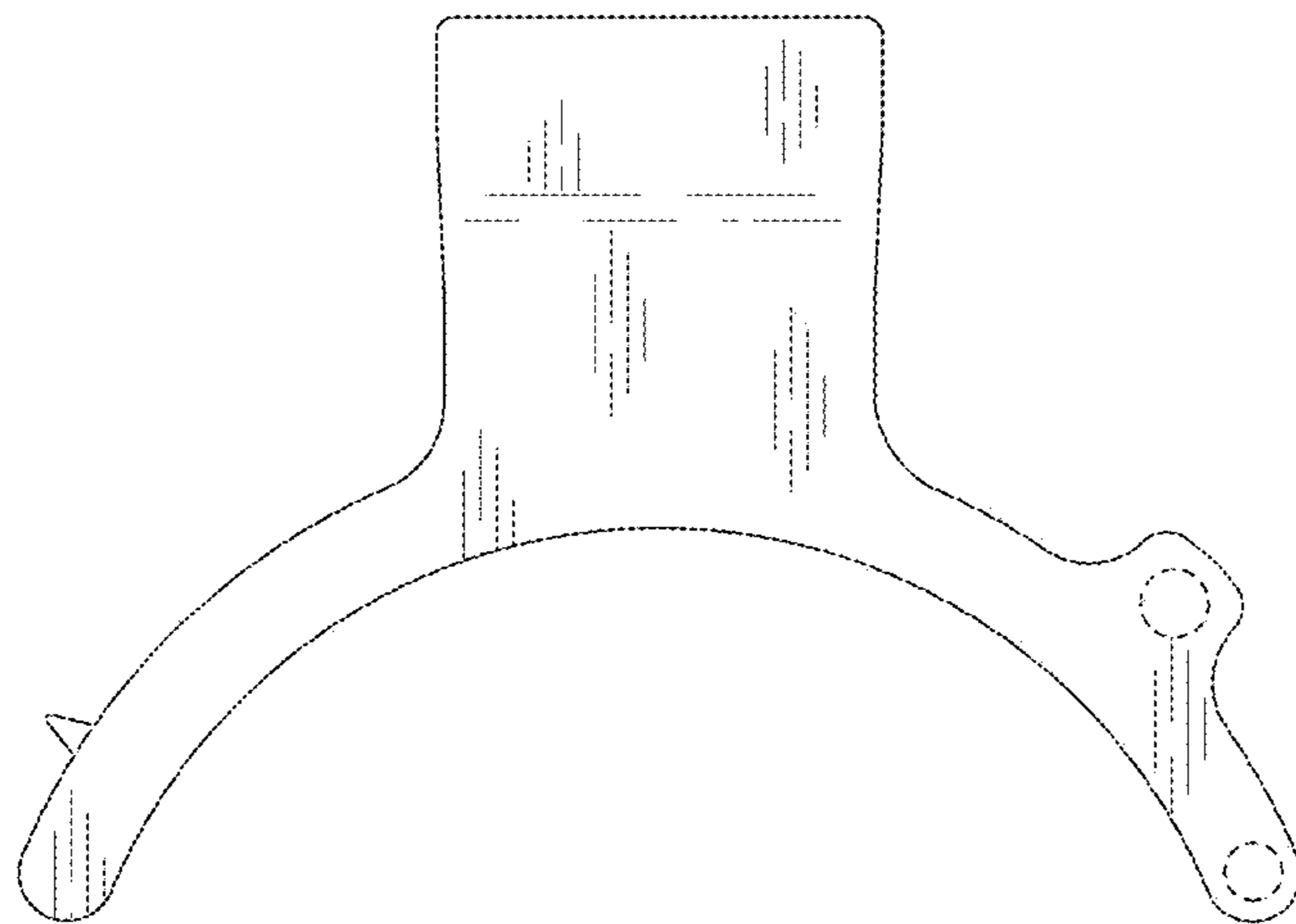


Fig. 7