



US00D874237S

(12) **United States Design Patent** (10) **Patent No.:** **US D874,237 S**  
**Spatz et al.** (45) **Date of Patent:** **\*\* Feb. 4, 2020**

(54) **DIRECTIONAL DRILLING ASSEMBLY**  
(71) Applicants: **Edward C. Spatz**, San Marcos, TX  
(US); **Michael R. Reese**, Houston, TX  
(US); **David P. Miess**, Spring, TX  
(US); **Gregory Prevost**, Spring, TX  
(US)  
(72) Inventors: **Edward C. Spatz**, San Marcos, TX  
(US); **Michael R. Reese**, Houston, TX  
(US); **David P. Miess**, Spring, TX  
(US); **Gregory Prevost**, Spring, TX  
(US)

4,485,879 A 12/1984 Kamp et al.  
4,729,438 A 3/1988 Walker et al.  
4,848,490 A 7/1989 Anderson  
6,073,707 A 6/2000 Noe et al.  
6,722,453 B1 4/2004 Crooks  
8,162,081 B2 4/2012 Ballard et al.  
D710,174 S \* 8/2014 Moss ..... D8/70  
D710,175 S \* 8/2014 Moss ..... D8/70  
D710,176 S \* 8/2014 Santamarina ..... D8/70  
D713,706 S \* 9/2014 Jing ..... D15/140  
D717,626 S \* 11/2014 Dickrede ..... D8/70  
D731,277 S \* 6/2015 Manwaring ..... D8/70

(Continued)

**OTHER PUBLICATIONS**

(73) Assignee: **XR Lateral, LLC**, Houston, TX (US)

Baker Hughs Incorporated; "Navi-Drill Motor Handbook"; revised Jan. 2017 [206 pages].

(\*\*) Term: **15 Years**

(Continued)

(21) Appl. No.: **29/616,772**

*Primary Examiner* — Darlington Ly

(22) Filed: **Sep. 8, 2017**

(74) *Attorney, Agent, or Firm* — Michael S. McCoy;  
Amatong McCoy LLC

(51) **LOC (12) Cl.** ..... **08-05**

(52) **U.S. Cl.** ..... **D8/70**  
USPC .....

(58) **Field of Classification Search**  
USPC ..... D8/70, 82, 85-87, 105; D15/139  
CPC ..... B25B 13/06; B25B 13/5091; B25B 15/00;  
B25B 15/001; B25B 15/002; B25B  
15/004; B25B 15/005; B25B 15/008;  
B25B 15/02; B25B 15/04; B25B 17/00;  
B25B 21/007; B25B 23/00; B25B  
23/0035; B25B 23/005; B25B 23/12;  
B25B 23/1405; B25B 27/18; B25B 31/12;  
B25B 51/08; B25B 51/108; B25B  
2251/66; B23P 15/00

See application file for complete search history.

(56) **References Cited**

**U.S. PATENT DOCUMENTS**

2,919,897 A 1/1960 Sims  
3,561,549 A 2/1971 Garrison et al.  
4,465,147 A 8/1984 Feenstra et al.

(57) **CLAIM**

The ornamental design for a directional drilling assembly, as shown and described.

**DESCRIPTION**

FIG. 1 is a front elevation view of a directional drilling assembly showing our new design;  
FIG. 2 is a left side elevation view thereof;  
FIG. 3 is a right side elevation view thereof;  
FIG. 4 is a rear elevation view thereof;  
FIG. 5 is a cross-sectional view thereof taken along line 5-5 in FIG. 1; and,  
FIG. 6 is a cross-sectional view thereof taken along line 6-6 in FIG. 1.

The broken lines in the drawings illustrate portions of the directional drilling assembly that form no part of the claimed design.

**1 Claim, 1 Drawing Sheet**



(56)

**References Cited**

U.S. PATENT DOCUMENTS

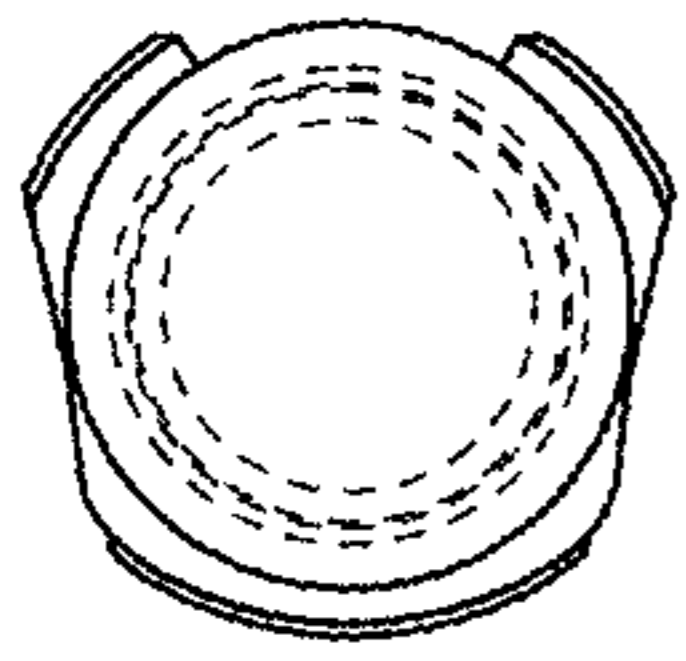
D732,364	S *	6/2015	Rinaldis	.....	D8/70
9,163,460	B2	10/2015	Isenhour et al.		
D786,645	S *	5/2017	Svendsen	.....	D15/139
D793,831	S *	8/2017	Russell	.....	D8/70
D793,832	S *	8/2017	Russell	.....	D8/70
D793,833	S *	8/2017	Russell	.....	D8/70
D813,003	S *	3/2018	Chang	.....	D8/70
9,963,938	B2	5/2018	Foote et al.		

OTHER PUBLICATIONS

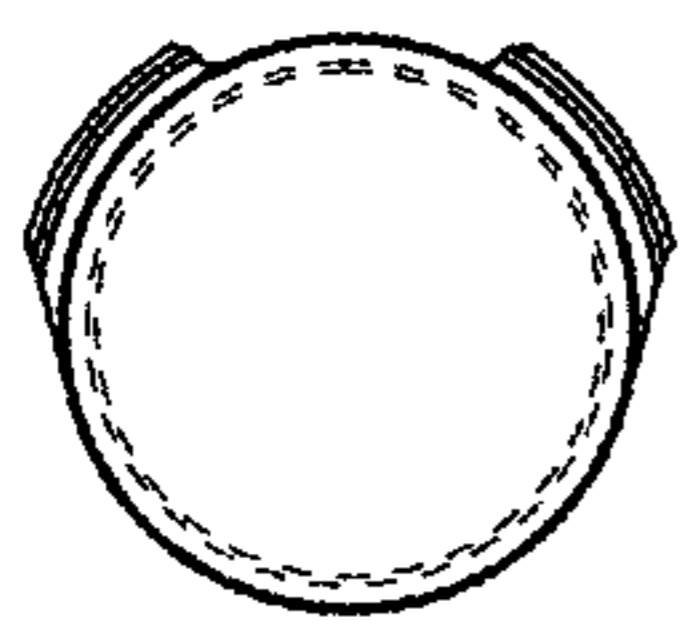
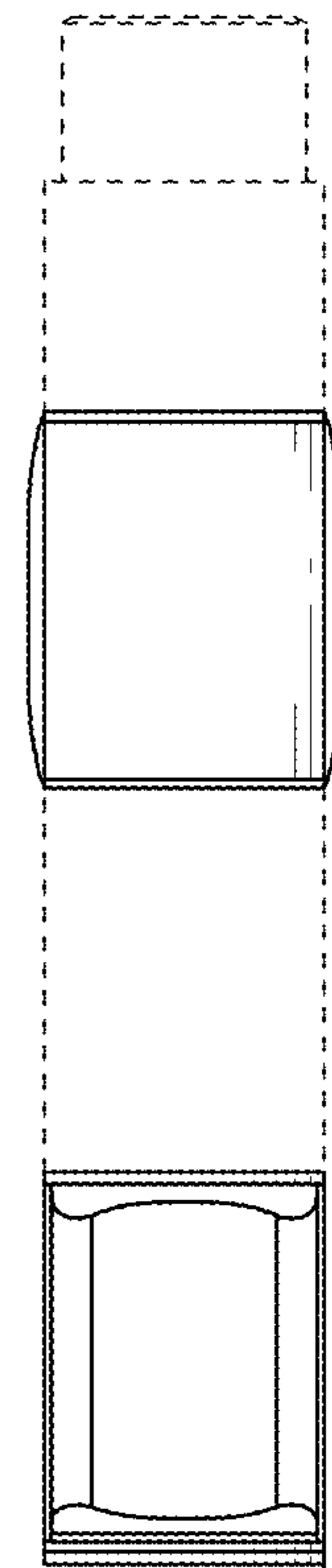
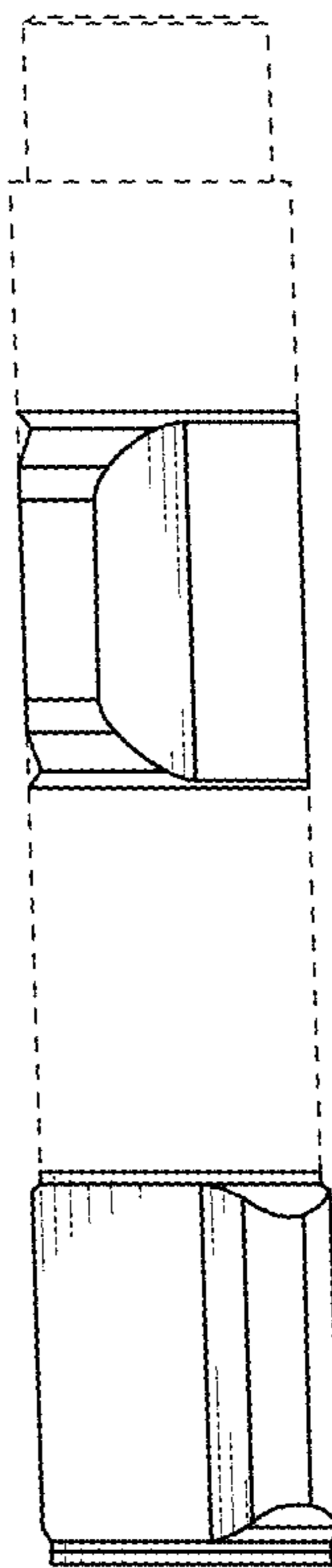
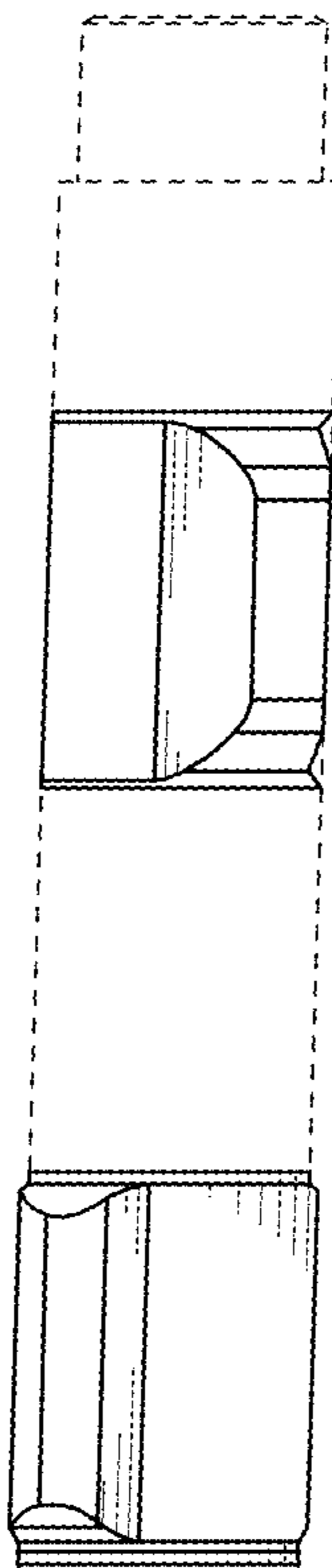
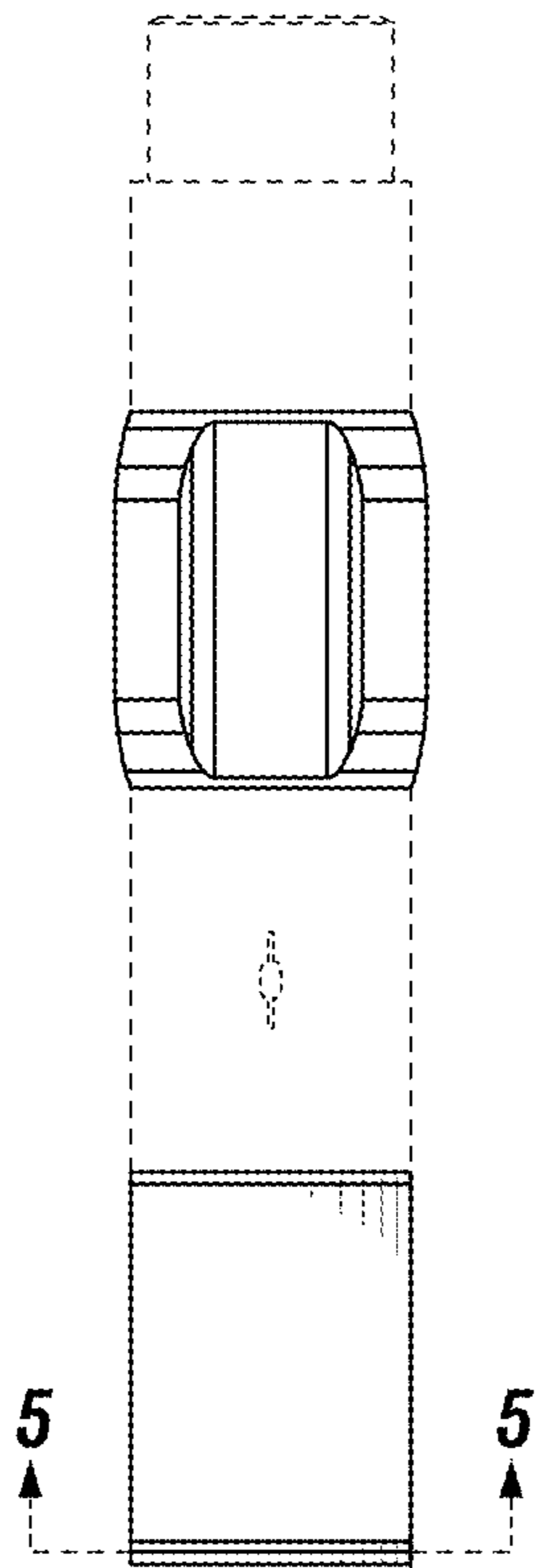
Cobra Downhole Motors; "Motor Manual" dated Feb. 2016 [126 pages].  
National Oilwell Varco; "Drilling Motors", 2011 [20 pages].  
Schlumberger; "Powerpak, Steerable Motor Handbook", 2004 [204 pages].  
Spatz, et al.; U.S. Appl. No. 29/616,762, filed Sep. 8, 2017 [3 pages].

Spatz, et al.; U.S. Appl. No. 29/616,766, filed Sep. 8, 2017 [3 pages].  
Spatz, et al.; U.S. Appl. No. 29/616,768, filed Sep. 8, 2017 [3 pages].  
Spatz, et al.; U.S. Appl. No. 29/616,772, filed Sep. 8, 2017 [3 pages].  
Spatz, et al.; U.S. Appl. No. 29/616,773, filed Sep. 8, 2017 [3 pages].  
Tomahawk Downhole, L.L.C.; "The Cutting Edge in Mud Motors and Mud Motor Components, Motor Handbook" Rev. 7, 2011 [79 pages].  
Wenzel Downhole Tools; "Motor Handbook", 4th Edition Ver. 1.0a; Issue Date, Dec. 23, 2013 [Part 1: 64 pages].  
Wenzel Downhole Tools; "Motor Handbook", 4th Edition Ver. 1.0a; Issue Date, Dec. 23, 2013 [Part 1: 65 pages].  
Spatz, et al.; U.S. Appl. No. 29/616,776, filed Sep. 8, 2017 [3 pages].  
Wenzel Downhole Tools; "Motor Handbook", 4th Edition Ver. 1.0a; Issue Date, Dec. 23, 2013 [135 pages].

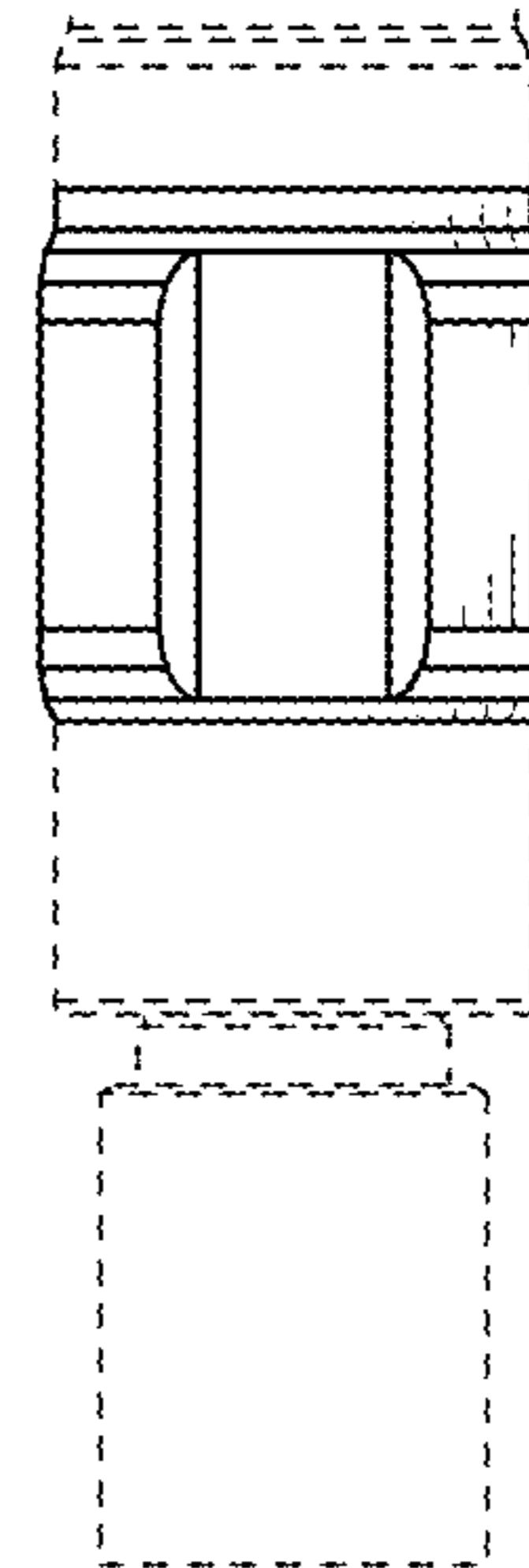
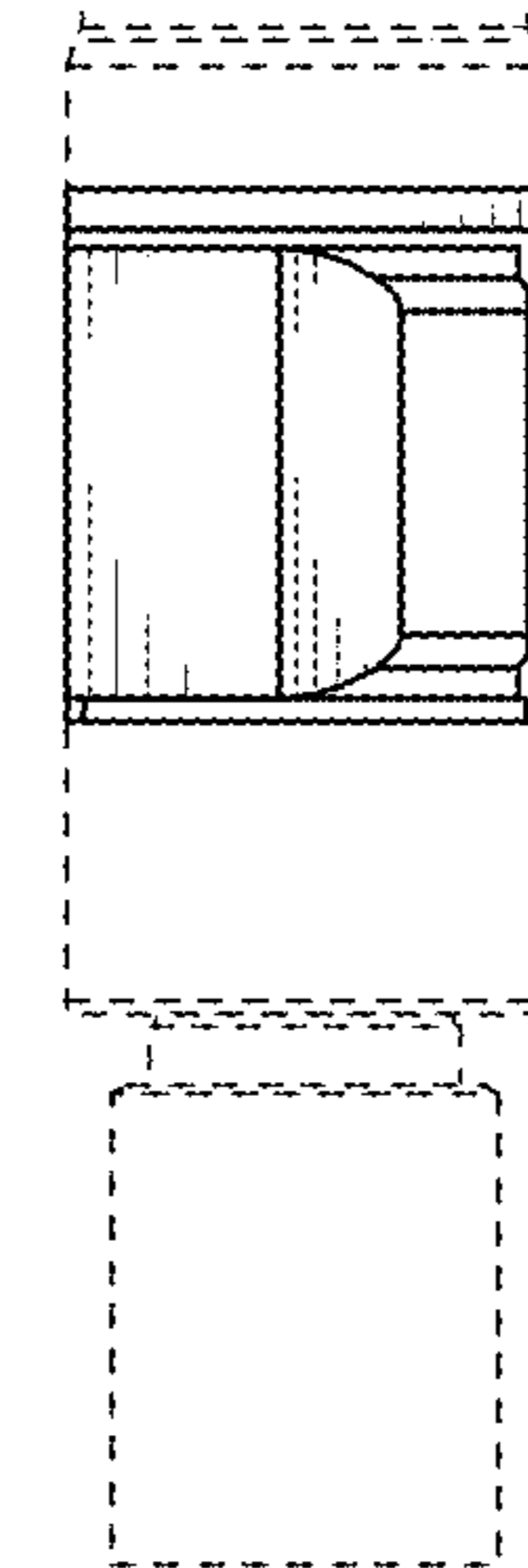
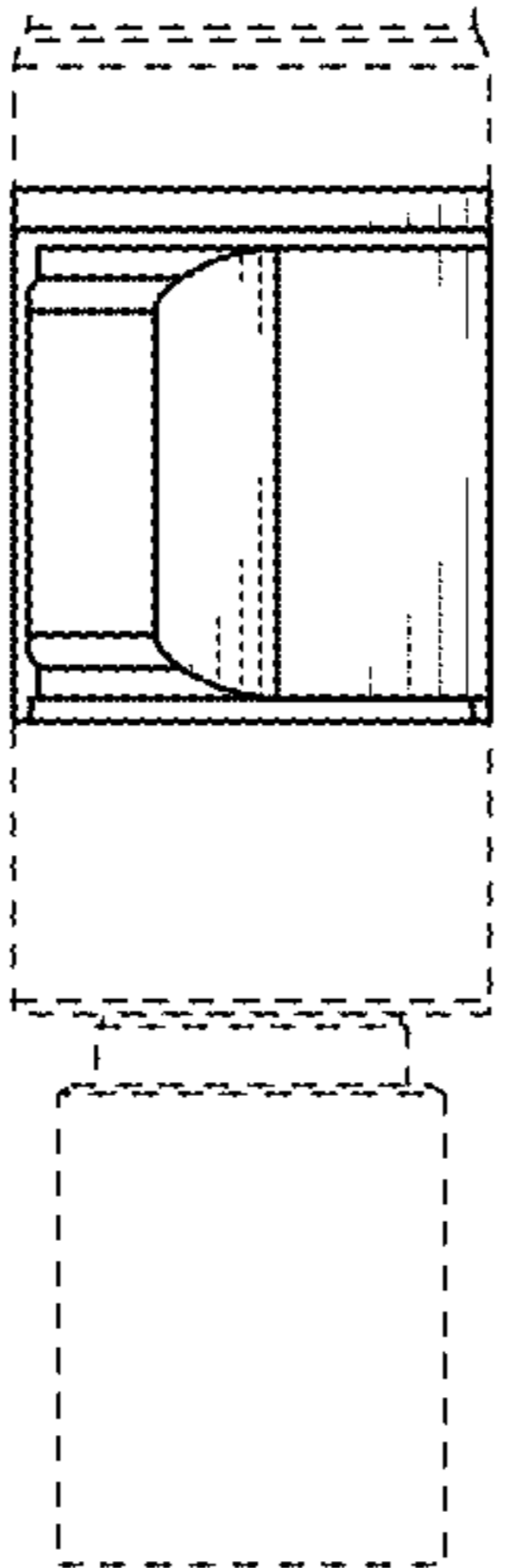
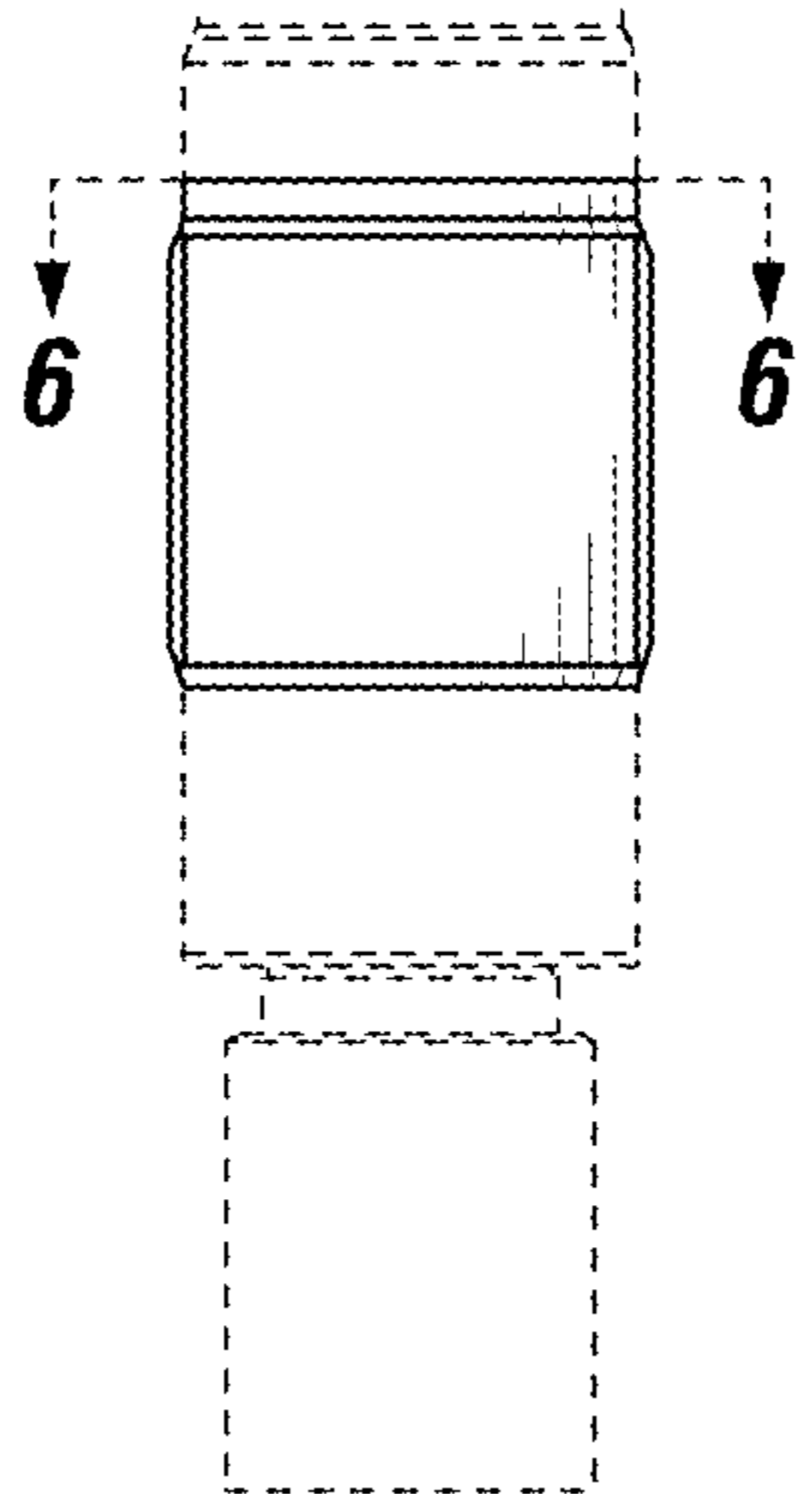
\* cited by examiner



**FIG. 5**



**FIG. 6**



**FIG. 1**

**FIG. 2**

**FIG. 3**

**FIG. 4**