



US00D874229S

(12) **United States Design Patent**
Zarruq et al.

(10) **Patent No.:** **US D874,229 S**

(45) **Date of Patent:** **** Feb. 4, 2020**

(54) **BOTTLE HOLDER**

(71) Applicants: **Adnan Abed Zarruq**, Canoas (BR);
Marlon Almada Coimbra, Porto Alegre (BR)

(72) Inventors: **Adnan Abed Zarruq**, Canoas (BR);
Marlon Almada Coimbra, Porto Alegre (BR)

(**) Term: **15 Years**

(21) Appl. No.: **29/662,235**

(22) Filed: **Sep. 4, 2018**

(30) **Foreign Application Priority Data**

Apr. 24, 2018 (BR) 302018001636

(51) **LOC (12) Cl.** **07-06**

(52) **U.S. Cl.**
USPC **D7/621**

(58) **Field of Classification Search**
USPC D7/619.1-625
CPC B65G 65/24; F25D 3/08; A47G 23/0241;
A47G 23/0216; B65D 85/302; B65D 25/005; B65D 81/3881; B65D 81/3886;
A45D 34/00; B60N 3/103
See application file for complete search history.

(56) **References Cited**

U.S. PATENT DOCUMENTS

2,817,458 A * 12/1957 Amigone F25D 3/08
222/131
2,819,860 A * 1/1958 Orbach A47G 23/0241
248/128

D257,935 S * 1/1981 Allan D7/621
4,317,551 A * 3/1982 Bishop B65G 65/24
211/81
4,836,476 A * 6/1989 Wolf A47G 23/0241
248/146
5,890,686 A * 4/1999 Morales B65D 85/302
215/395
D464,850 S * 10/2002 Nelson D7/621
6,685,147 B1 * 2/2004 Ma A45D 34/00
248/105
7,708,241 B2 * 5/2010 Wiemholt A47G 23/0241
222/166

* cited by examiner

Primary Examiner — Terry A Wallace

(74) *Attorney, Agent, or Firm* — Houtteman Law LLC;
Scott Houtteman

(57) **CLAIM**

The ornamental design for a bottle holder, as shown and described.

DESCRIPTION

FIG. 1 is a top perspective view of a bottle holder
FIG. 2 is bottom perspective view thereof
FIG. 3 is a top view thereof
FIG. 4 is a back view thereof
FIG. 5 is a bottom side view thereof
FIG. 6 is a front side view thereof
FIG. 7 is a right side view thereof; and,
FIG. 8 is a left side view thereof.

1 Claim, 8 Drawing Sheets

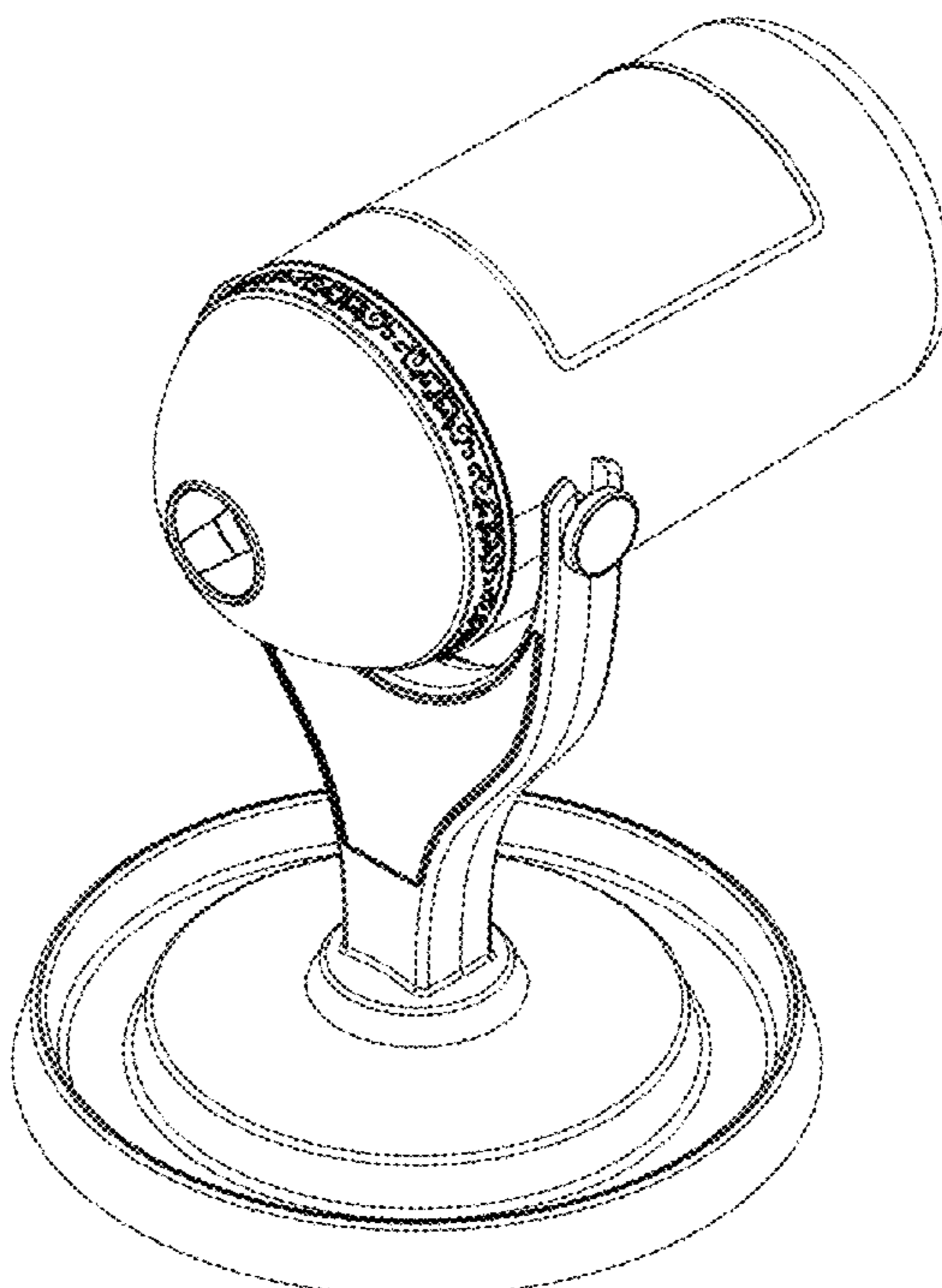
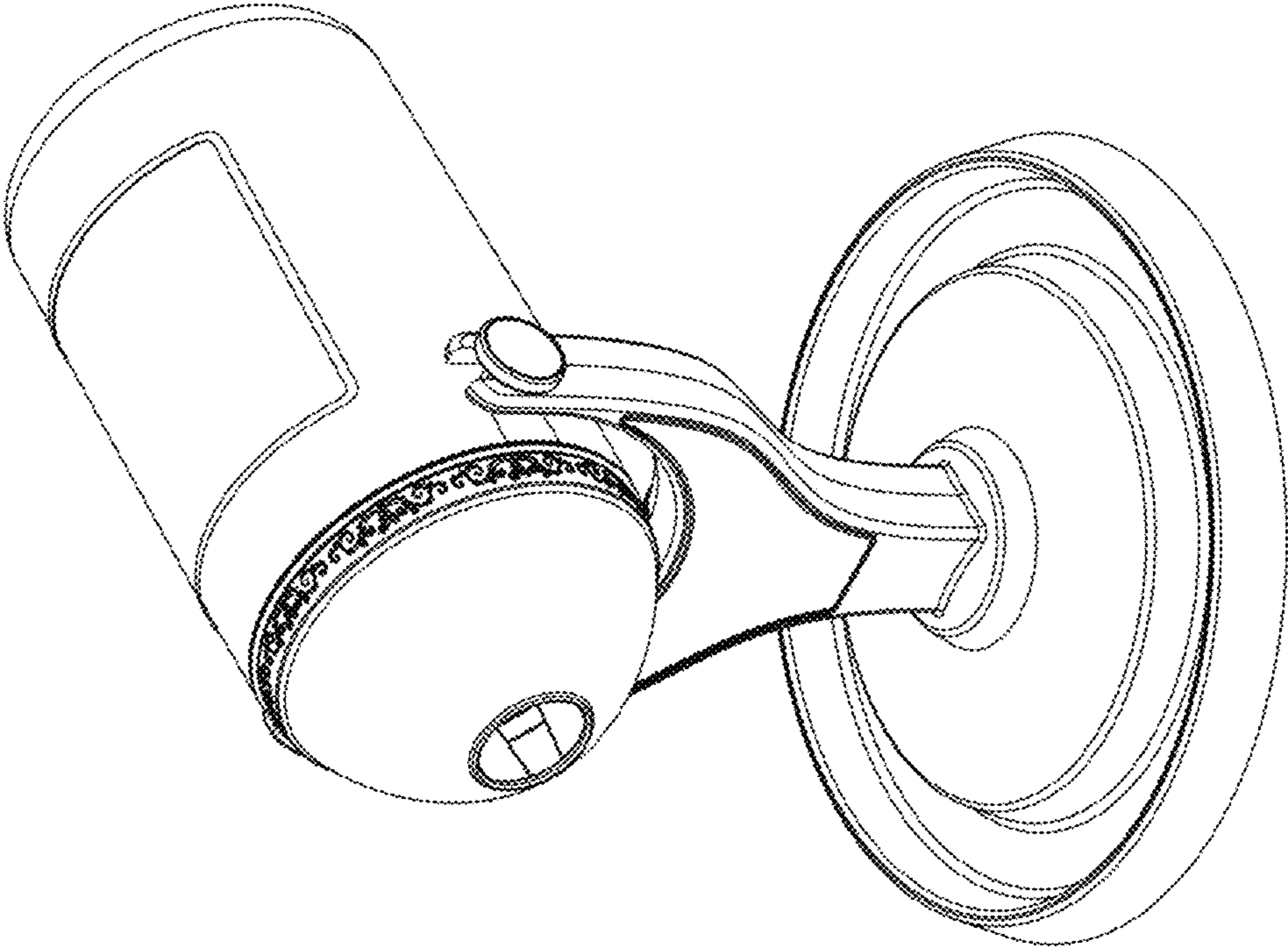


FIG. 1



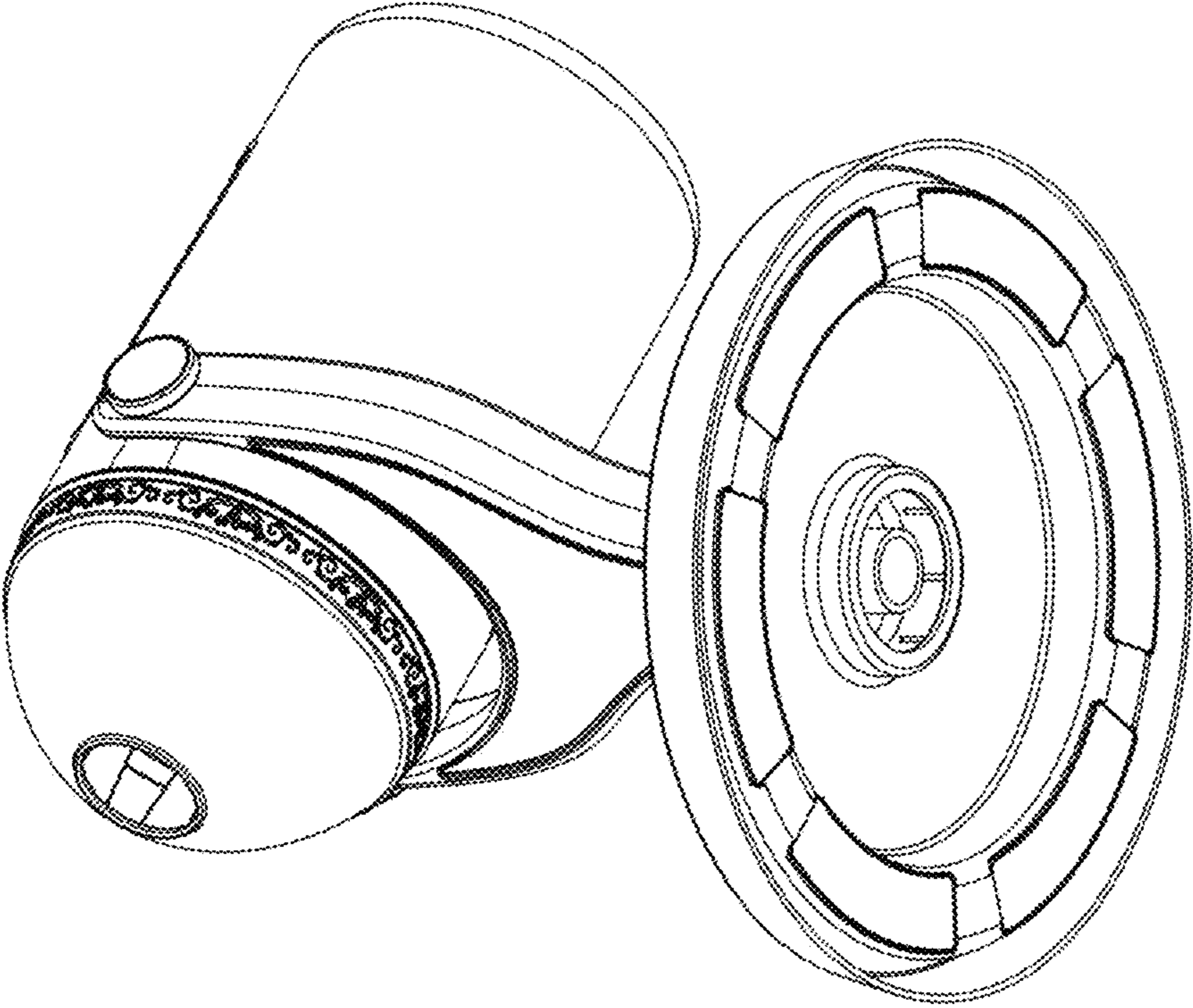


FIG. 2

FIG. 3

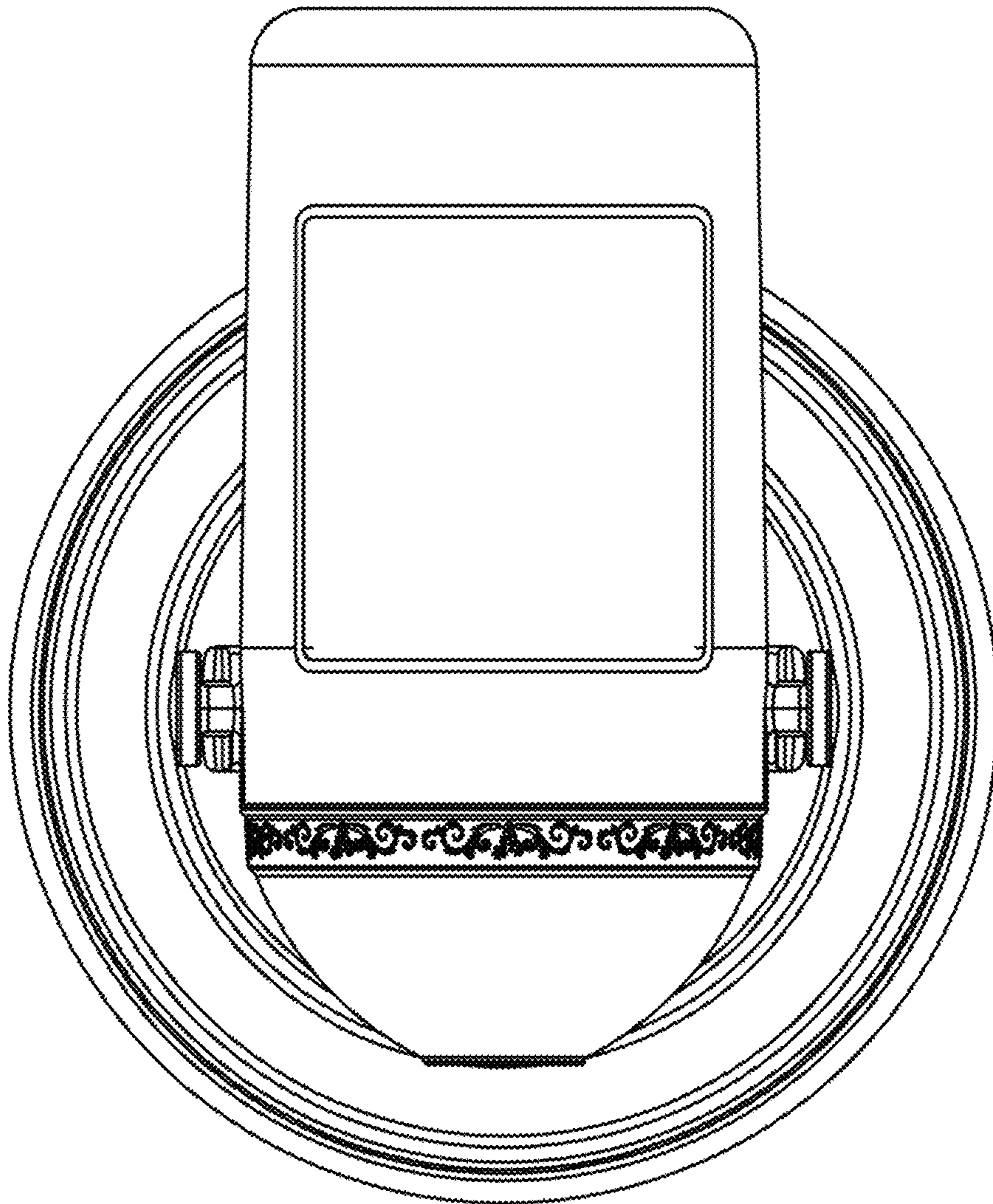


FIG. 4



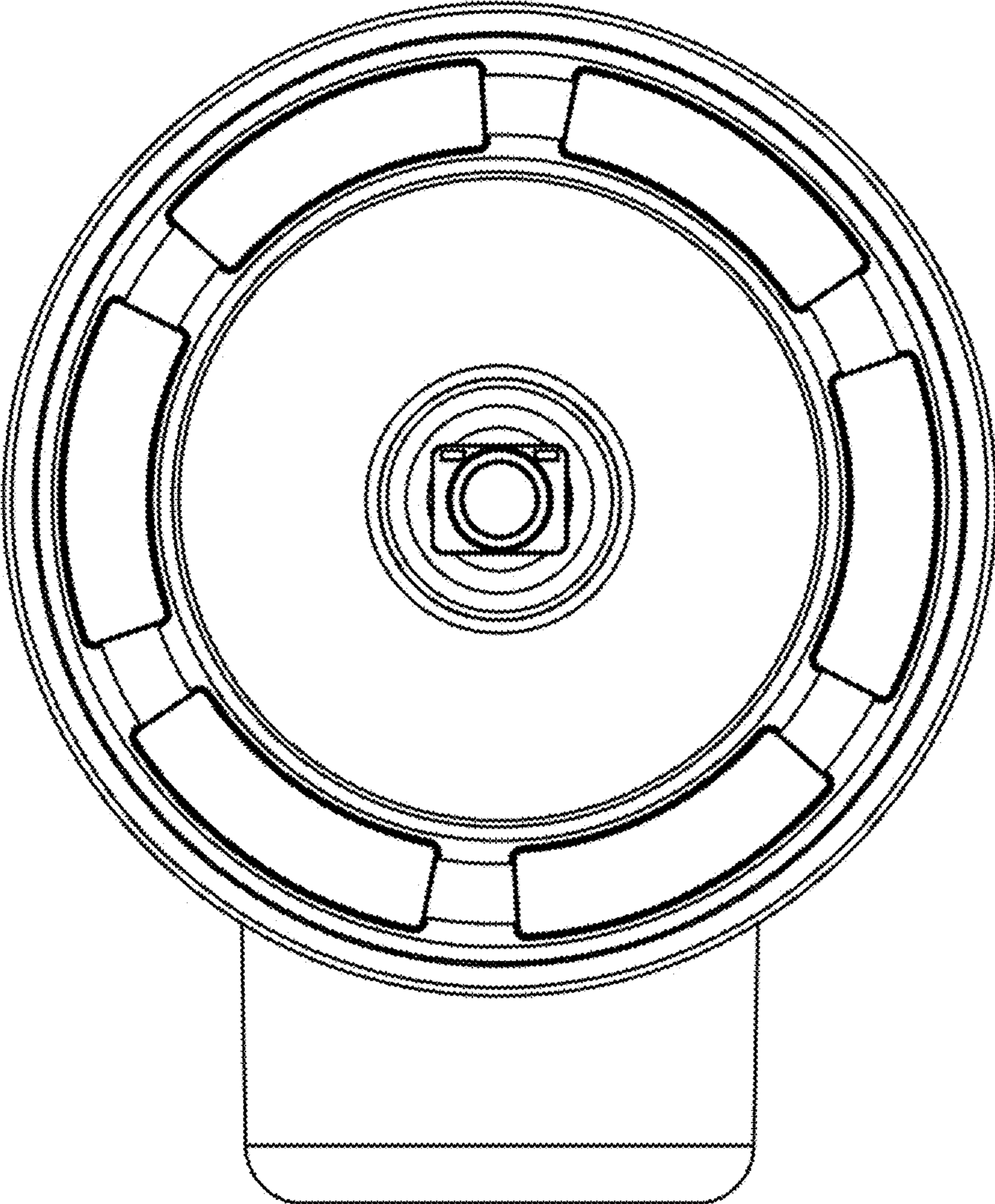


FIG. 5

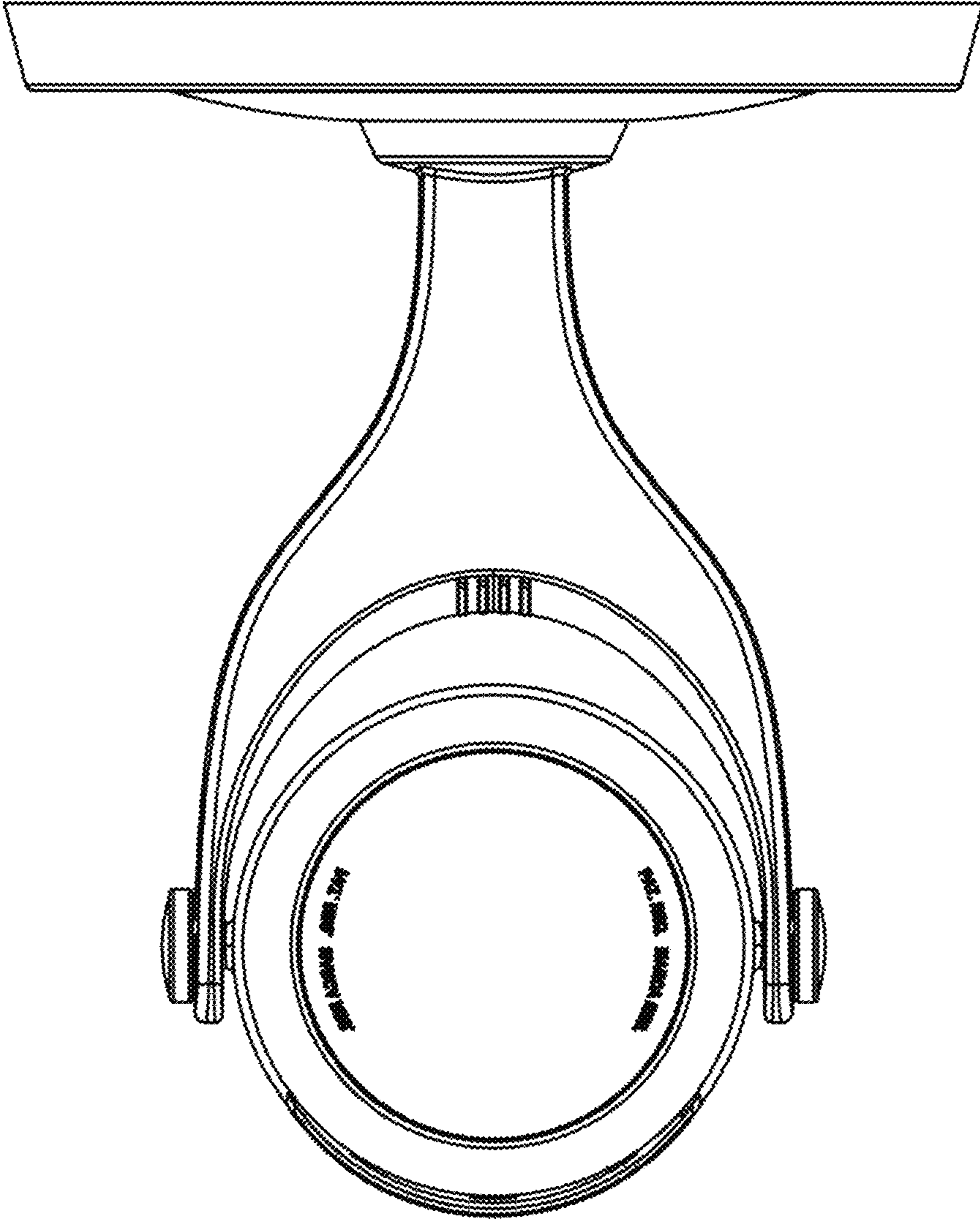
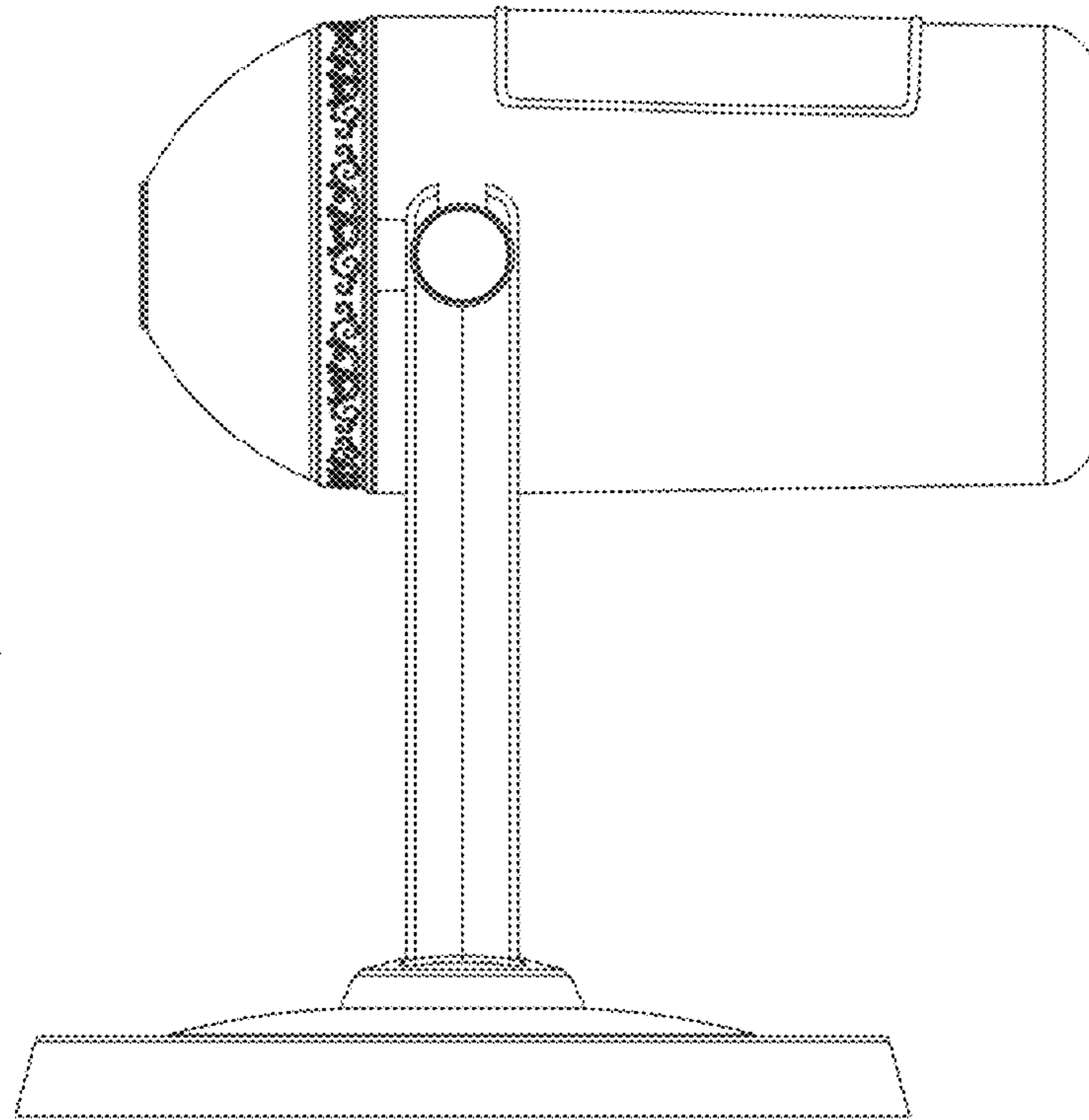


FIG. 6

FIG. 7



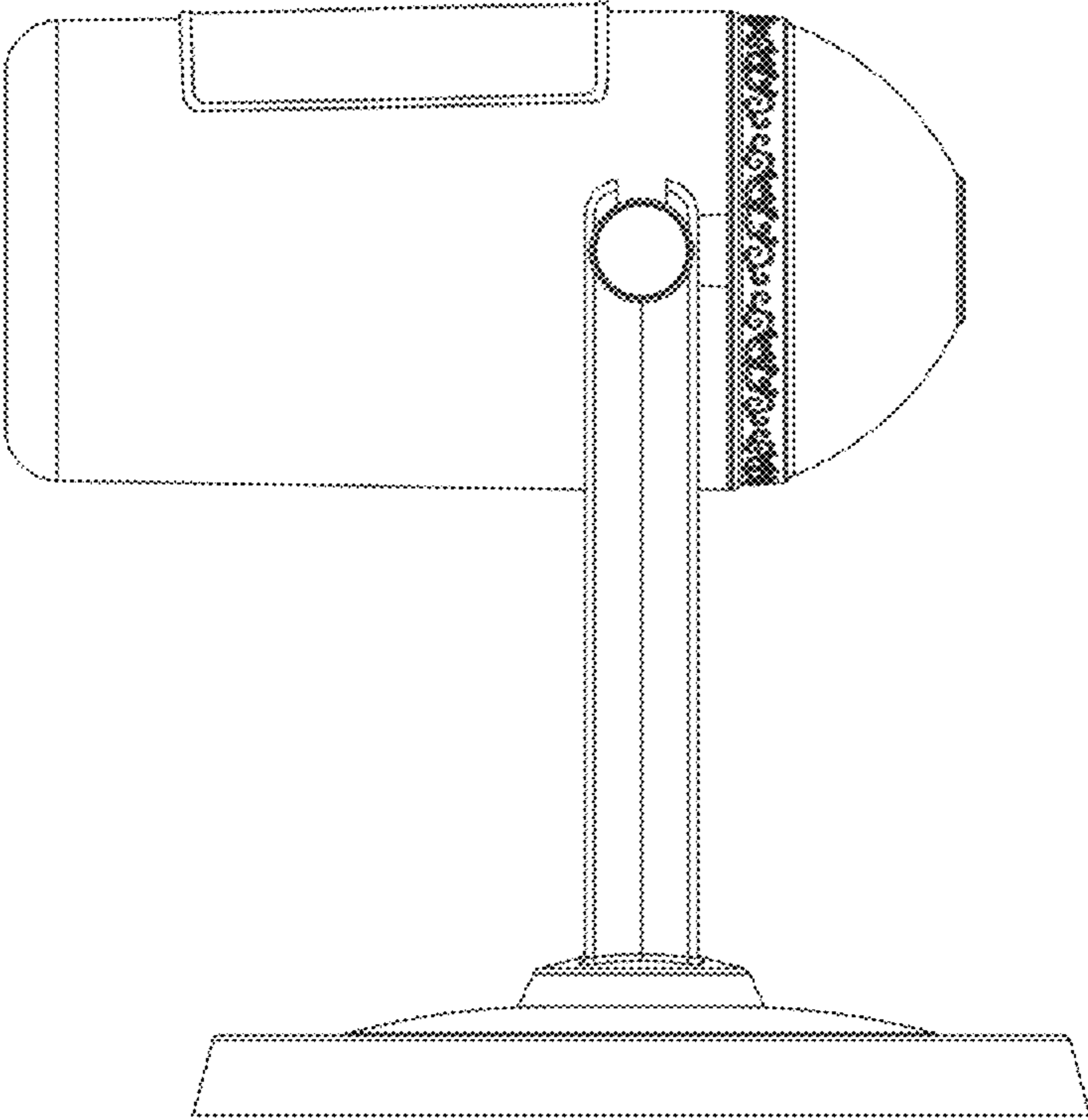


FIG. 8