



US00D874225S

(12) **United States Design Patent** (10) **Patent No.:** **US D874,225 S**  
**Larsen et al.** (45) **Date of Patent:** **\*\* Feb. 4, 2020**

(54) **THERMAL BOWL WITH HANDLE**  
(71) Applicant: **Fiskars Finland Oy Ab**, Helsinki (FI)  
(72) Inventors: **Lars Holme Larsen**, Copenhagen (DK); **Bjarke Ingels**, København V. (DK); **Jens Martin Skibsted**, Holte (DK)  
(73) Assignee: **FISKARS FINLAND OY AB**, Helsinki (FI)  
(\*\*) Term: **15 Years**  
(21) Appl. No.: **29/632,233**  
(22) Filed: **Jan. 5, 2018**  
(51) **LOC (12) Cl.** ..... **07-01**  
(52) **U.S. Cl.**  
USPC ..... **D7/543**  
(58) **Field of Classification Search**  
USPC ..... D7/361, 543, 500, 542, 538  
CPC ..... A47J 27/002  
See application file for complete search history.

D586,611 S \* 2/2009 Solis ..... D7/354  
D664,004 S \* 7/2012 Benishai ..... D7/543  
D756,714 S \* 5/2016 Haydon ..... D7/543  
D780,520 S \* 3/2017 Belin ..... D7/543  
D811,828 S \* 3/2018 Tillman ..... D7/654  
D829,490 S \* 10/2018 Dhirmalani ..... D7/361  
2014/0319152 A1 \* 10/2014 Suck ..... A47J 27/002  
220/573.1

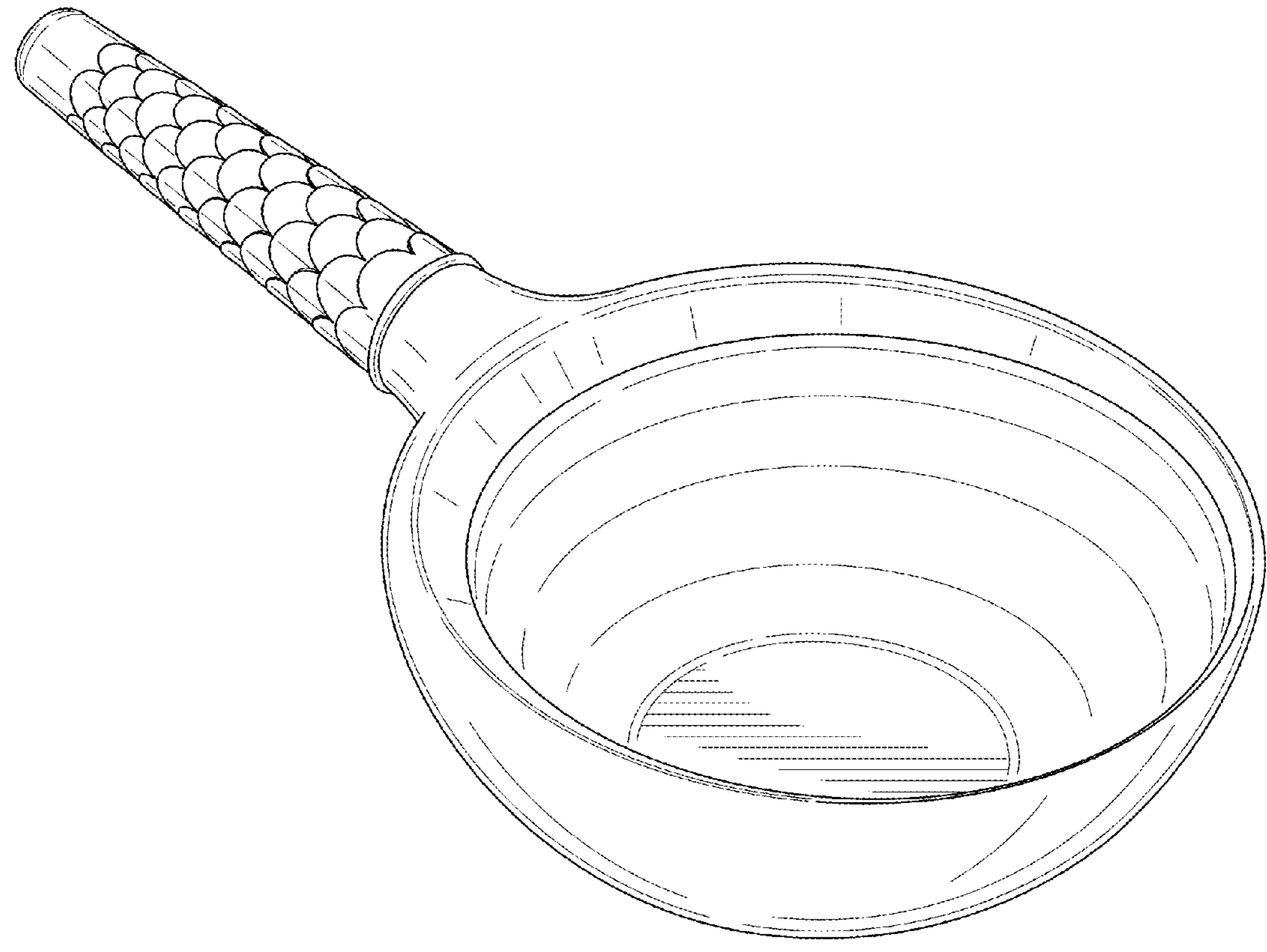
\* cited by examiner  
*Primary Examiner* — Cynthia R Underwood  
(74) *Attorney, Agent, or Firm* — Leason Ellis LLP

(57) **CLAIM**  
We claim, the ornamental design for a thermal bowl with handle, as shown and described.

**DESCRIPTION**  
FIG. 1 is a perspective view of a thermal bowl with handle, showing my new design;  
FIG. 2 is a top view thereof;  
FIG. 3 is a bottom view thereof;  
FIG. 4 is a side view thereof;  
FIG. 5 is side view thereof, taken opposite from FIG. 4;  
FIG. 6 is front view thereof; and,  
FIG. 7 is a rear view thereof.  
The broken lines depict portions of the thermal bowl with handle that form no part of the claim.

**1 Claim, 6 Drawing Sheets**

(56) **References Cited**  
U.S. PATENT DOCUMENTS  
D380,934 S \* 7/1997 Alarid, Jr. .... D7/354  
D543,074 S \* 5/2007 Luft ..... D7/543



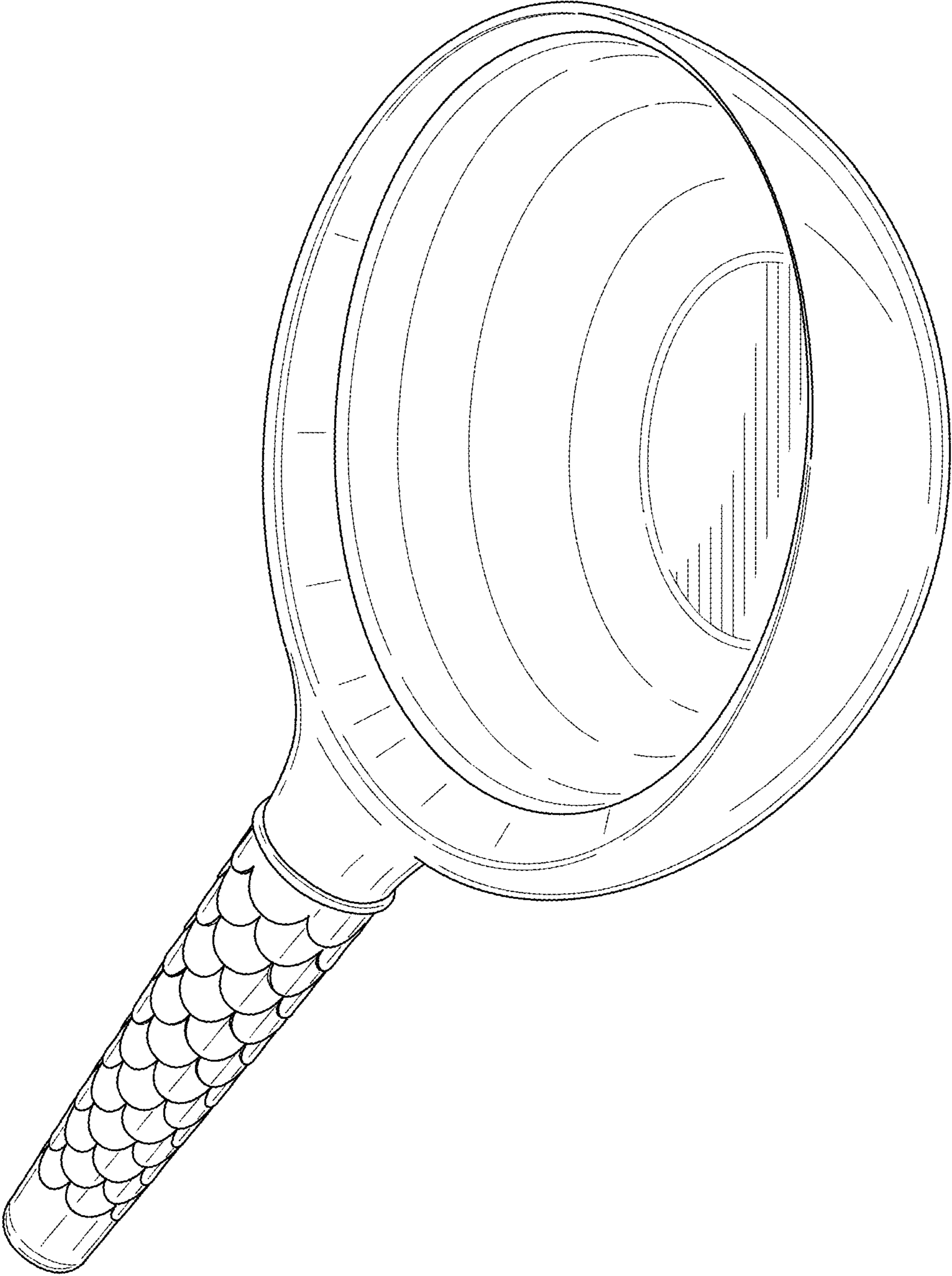


FIG. 1

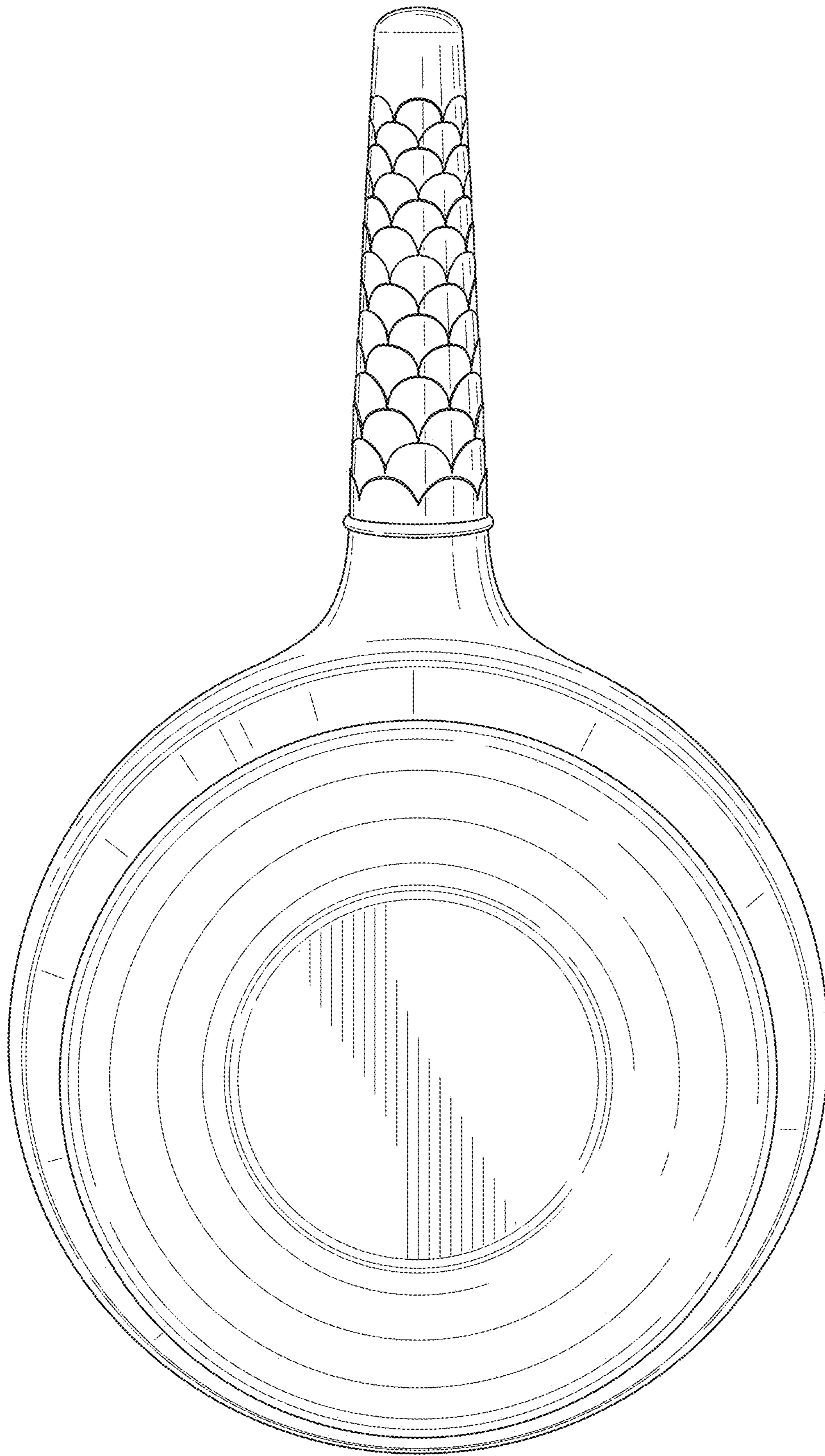


FIG. 2

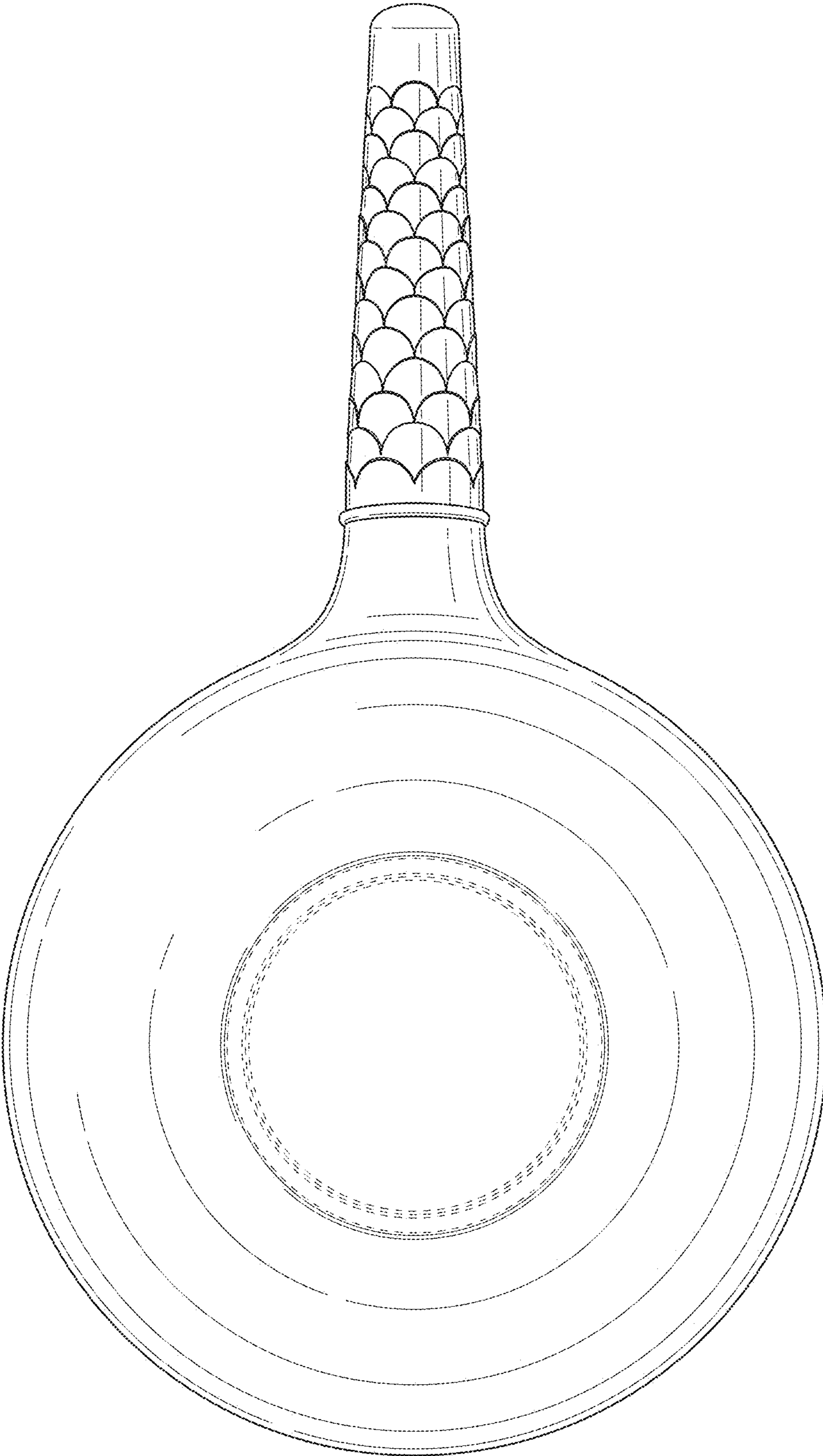


FIG. 3

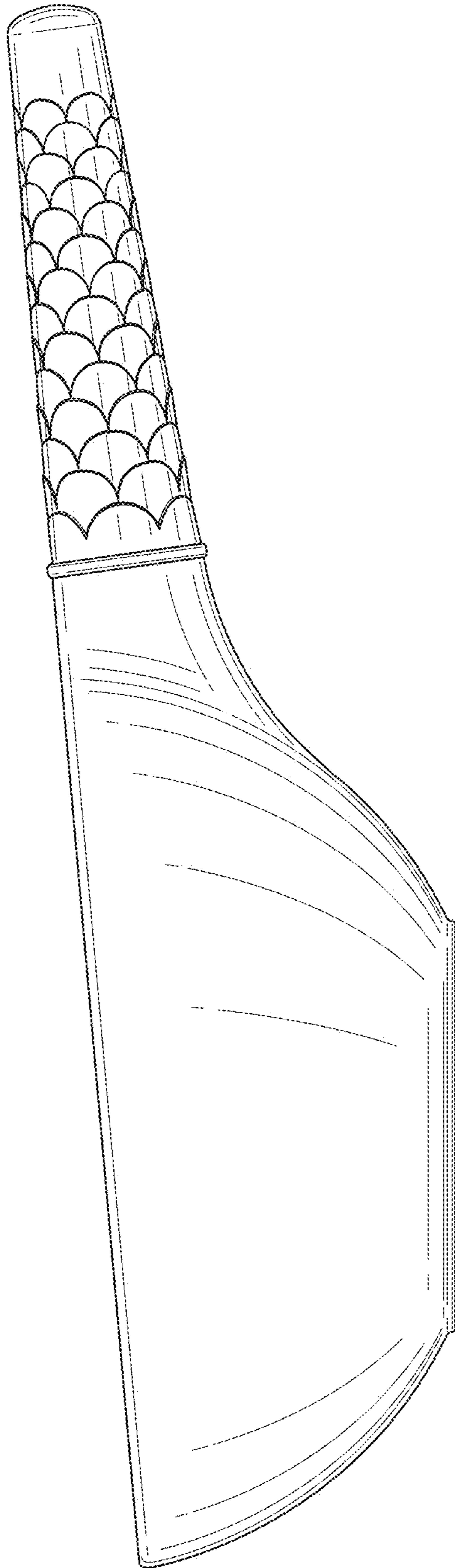


FIG. 4

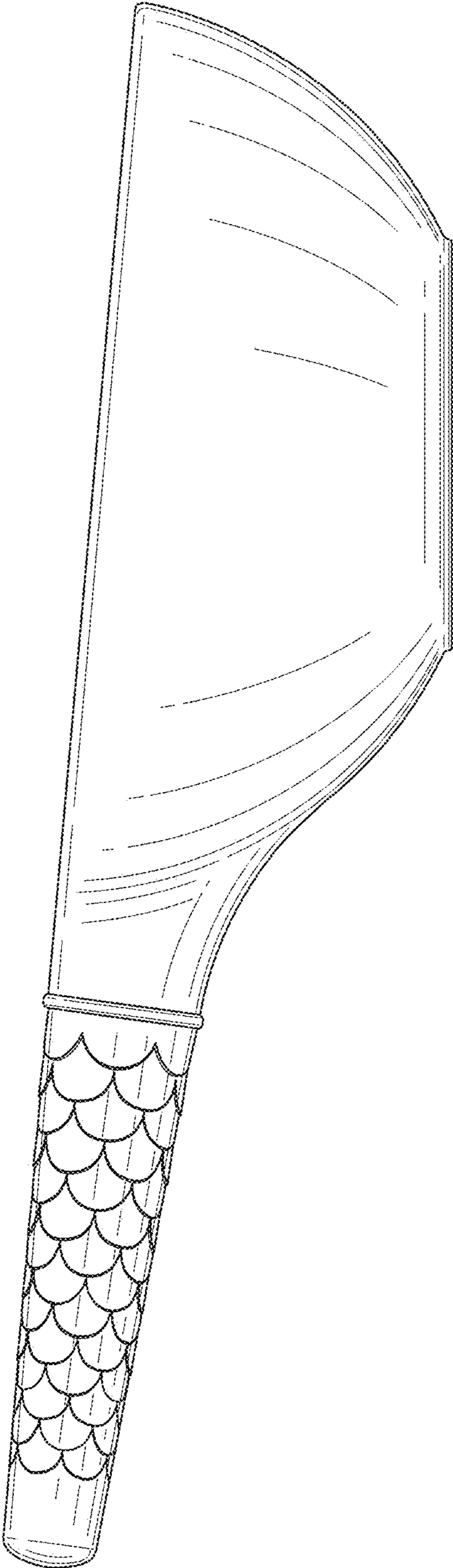


FIG. 5

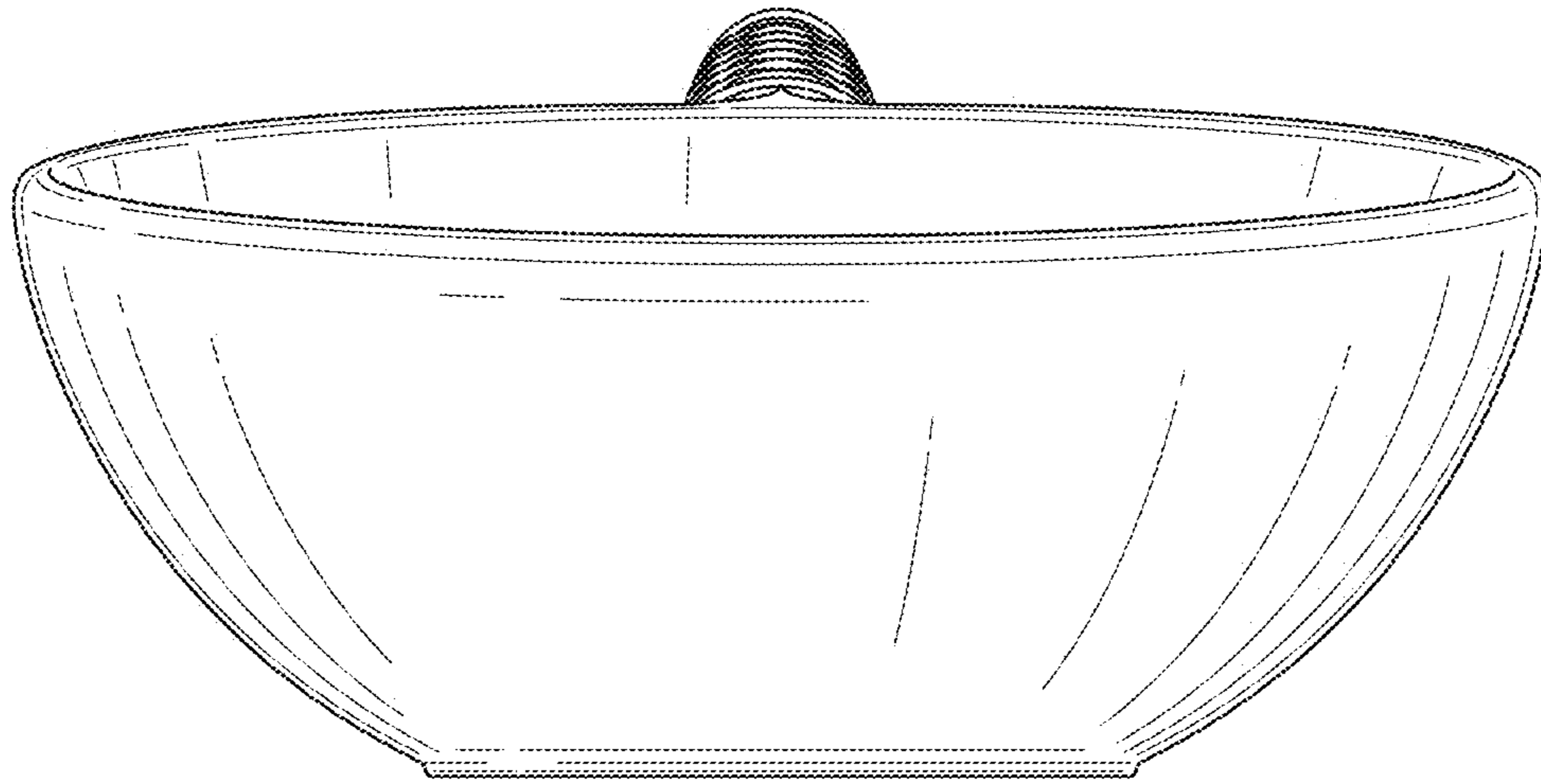


FIG. 6

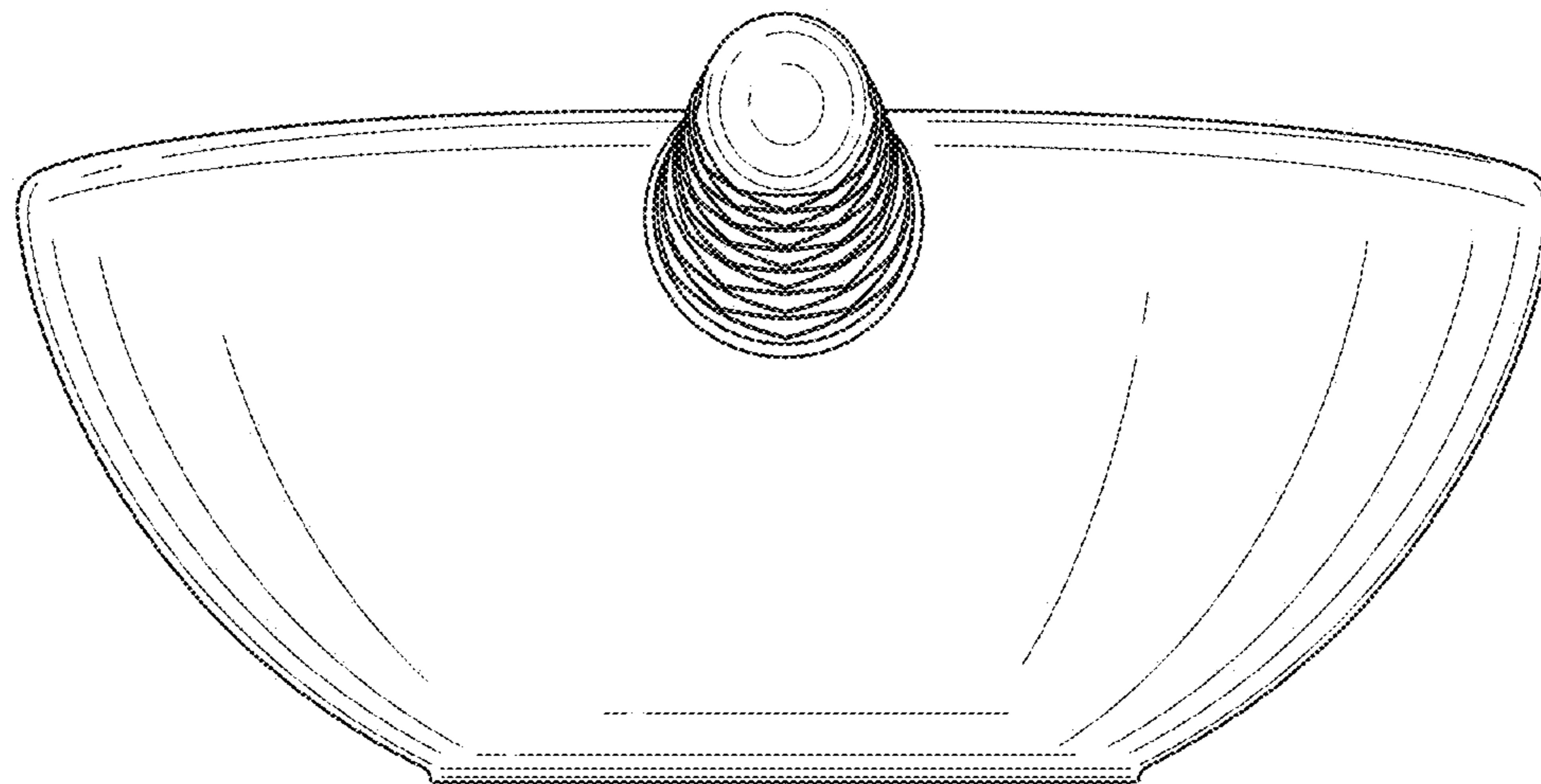


FIG. 7