



US00D874222S

(12) **United States Design Patent**
Saubert et al.

(10) **Patent No.:** **US D874,222 S**

(45) **Date of Patent:** **** Feb. 4, 2020**

(54) **MIXER SPLASH GUARD**

(71) Applicant: **TRANSFORM SR BRANDS LLC**,
Hoffman Estates, IL (US)

(72) Inventors: **Michael Saubert**, Hoffman Estates, IL
(US); **Michael Seskauskas**, Lemont, IL
(US)

(73) Assignee: **Transform SR Brands LLC**, Hoffman
Estates, IL (US)

(**) Term: **15 Years**

(21) Appl. No.: **29/648,572**

(22) Filed: **May 22, 2018**

(51) **LOC (12) Cl.** **31-00**

(52) **U.S. Cl.**
USPC **D7/412**; D7/376; D7/379

(58) **Field of Classification Search**
USPC D7/372, 376-387, 391, 412-413, 538,
D7/602, 629, 665-666, 669, 679,
D7/693-694

CPC A01K 5/0128; A21C 1/02; A21C 1/04;
A21C 1/148; A23N 1/00; A23N 1/02;
A47J 43/04; A47J 43/25; A47J 43/27;
A47J 43/042; A47J 43/044; A47J 43/046;
A47J 43/07; A47J 43/075; A47J 43/0705;
A47J 43/0722; A47J 43/0727; A47J
43/1025; B01F 3/00; B01F 3/0807; B01F
3/0853; B01F 13/0059; B01F 13/0064;
B02C 1/08; B02C 2/04; B02C 4/42;
B02C 4/142; B02C 4/143; B02C 4/423;
B02C 13/1835; B28C 5/10; B28C 5/12;
B28C 5/14; B28C 5/16

See application file for complete search history.

(56) **References Cited**

U.S. PATENT DOCUMENTS

2,486,320 A * 10/1949 Ost A47J 43/1025
366/347
2,802,499 A * 8/1957 Tupper A47J 43/0727
366/347

D282,340 S * 1/1986 Lam D7/387
4,900,160 A * 2/1990 Brooks A47J 43/0705
222/570
5,556,203 A * 9/1996 Filias A47J 43/07
366/347
D395,195 S * 6/1998 Heiberg D7/387
D402,159 S * 12/1998 Laib A01K 5/0128
D7/538
6,068,398 A * 5/2000 Lin A21C 1/148
366/197
6,435,708 B1 * 8/2002 Huang A21C 1/02
220/731
D467,464 S * 12/2002 Sampaio D7/412
D615,809 S * 5/2010 Heiberg A47J 43/1025
D7/378

(Continued)

Primary Examiner — Ricky Pham

(74) *Attorney, Agent, or Firm* — McAndrews, Held &
Malloy, Ltd.

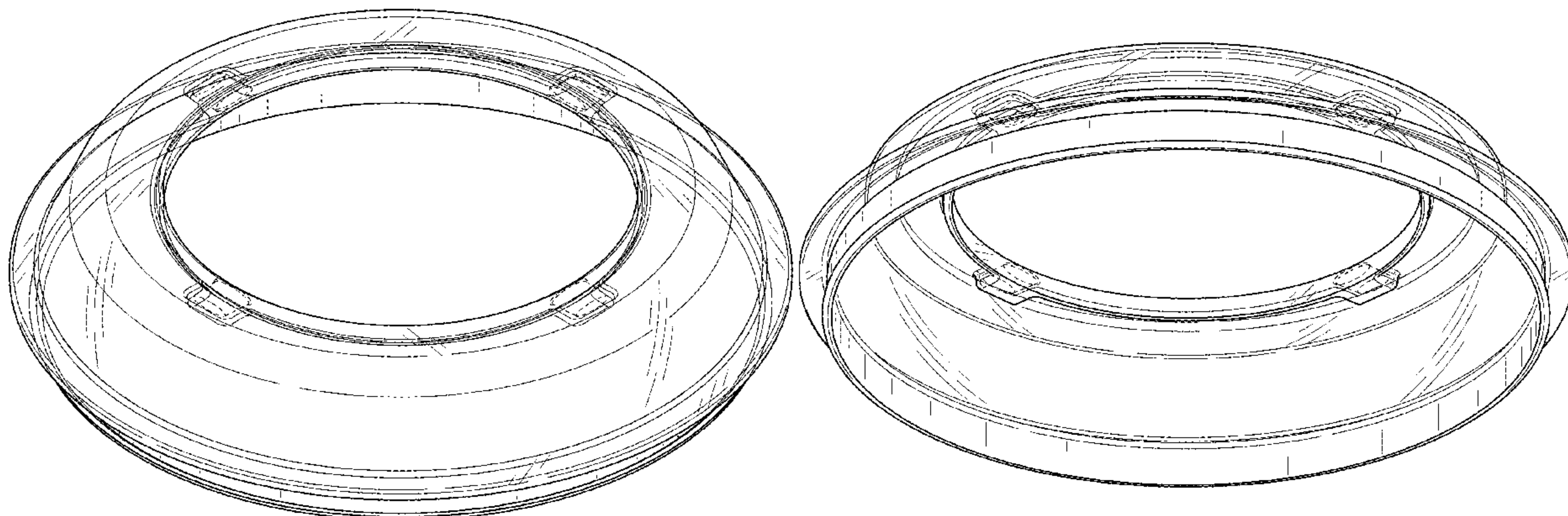
(57) **CLAIM**

The ornamental design for a mixer splash guard, as shown
and described.

DESCRIPTION

FIG. 1 is a top-front perspective view of a mixer splash
guard showing our new design;
FIG. 2 is a front elevation view thereof;
FIG. 3 is a rear elevation view thereof;
FIG. 4 is a right side elevation view thereof;
FIG. 5 is a left side elevation thereof;
FIG. 6 is a top plan view thereof;
FIG. 7 is a bottom plan view thereof; and,
FIG. 8 is a bottom-rear perspective view thereof.
The dashed broken lines in the figures illustrate portions of
the mixer splash guard that form no part of the claimed
design.

1 Claim, 5 Drawing Sheets



(56)

References Cited

U.S. PATENT DOCUMENTS

9,992,971 B2 * 6/2018 McKinnon A01K 5/0128
10,335,752 B2 * 7/2019 Lutz

* cited by examiner

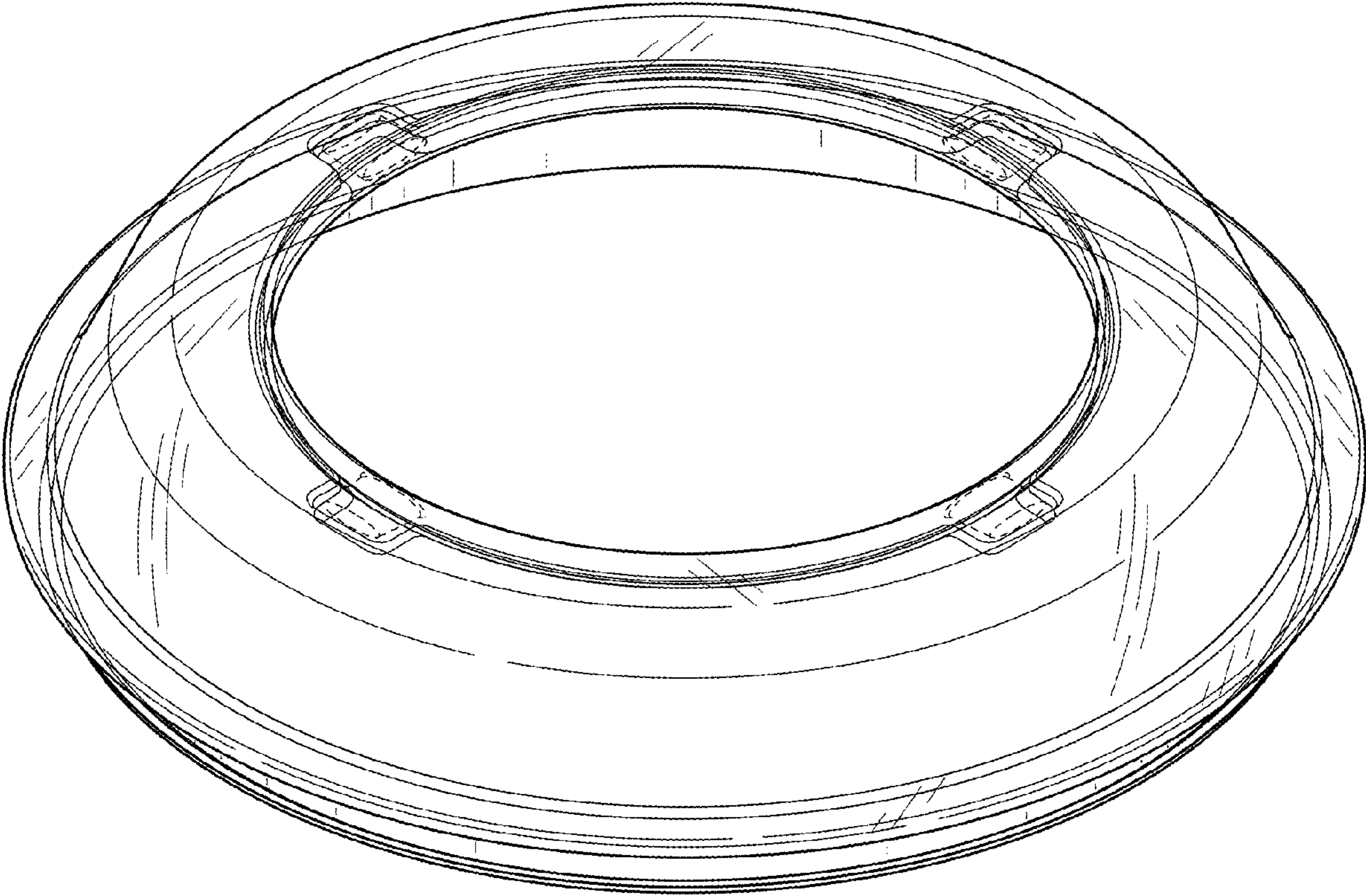


FIG. 1

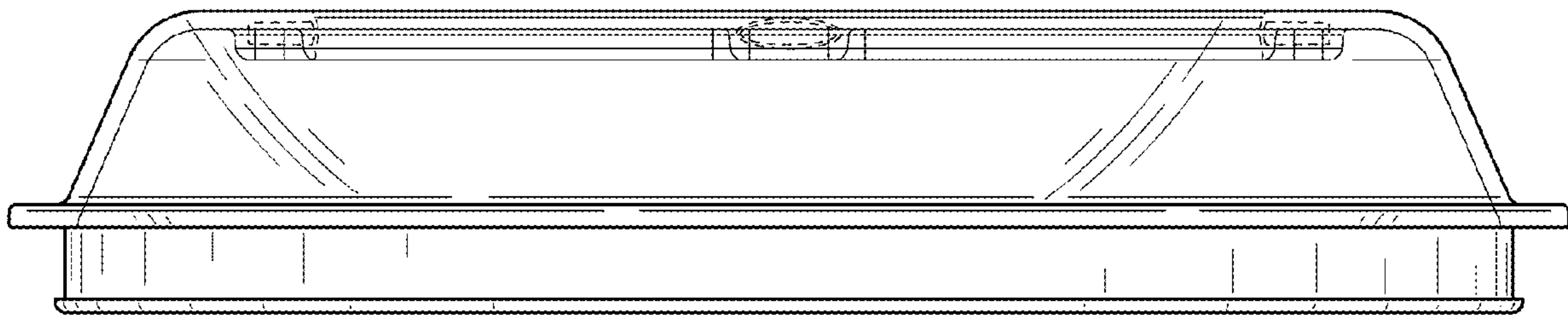


FIG. 2

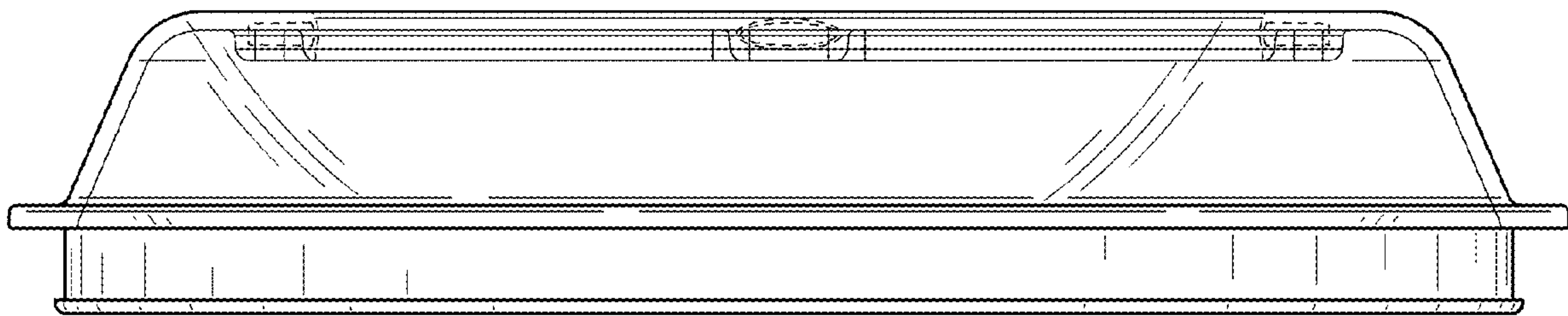


FIG. 3

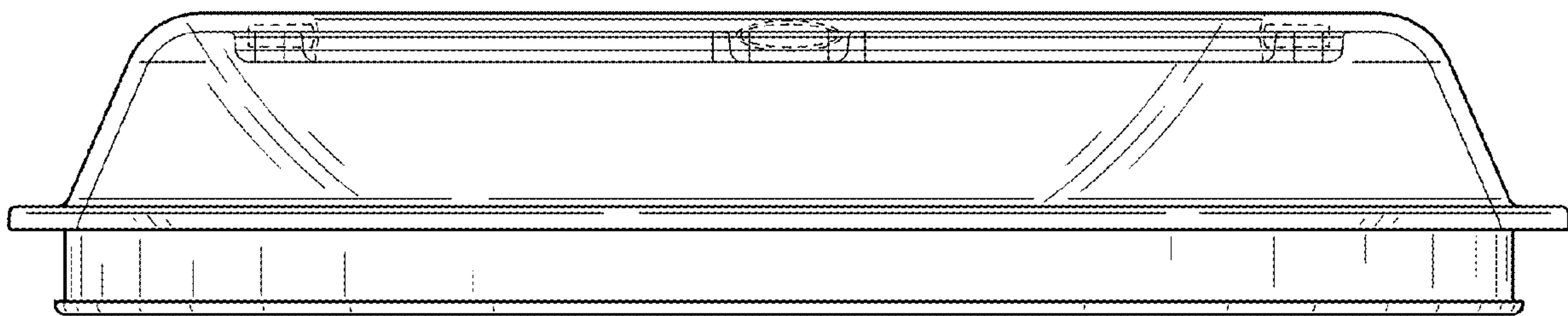


FIG. 4

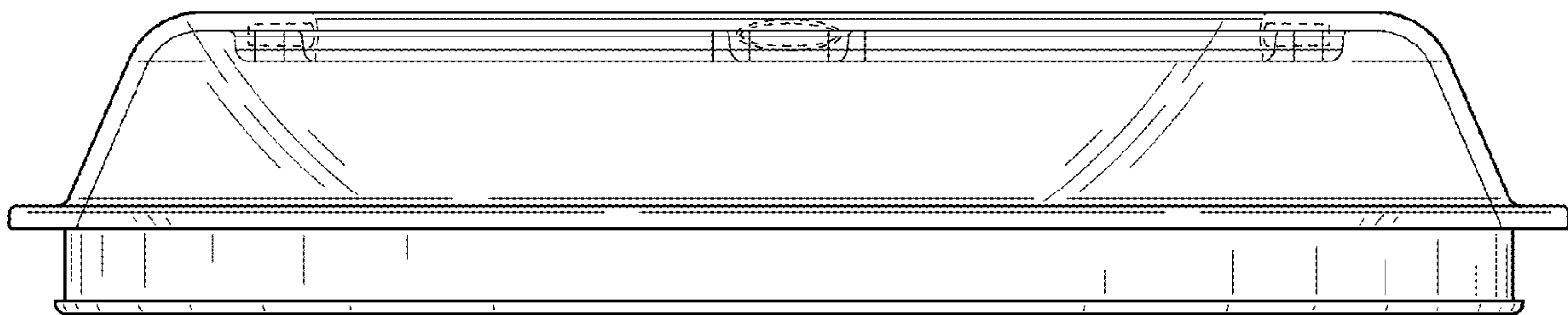


FIG. 5

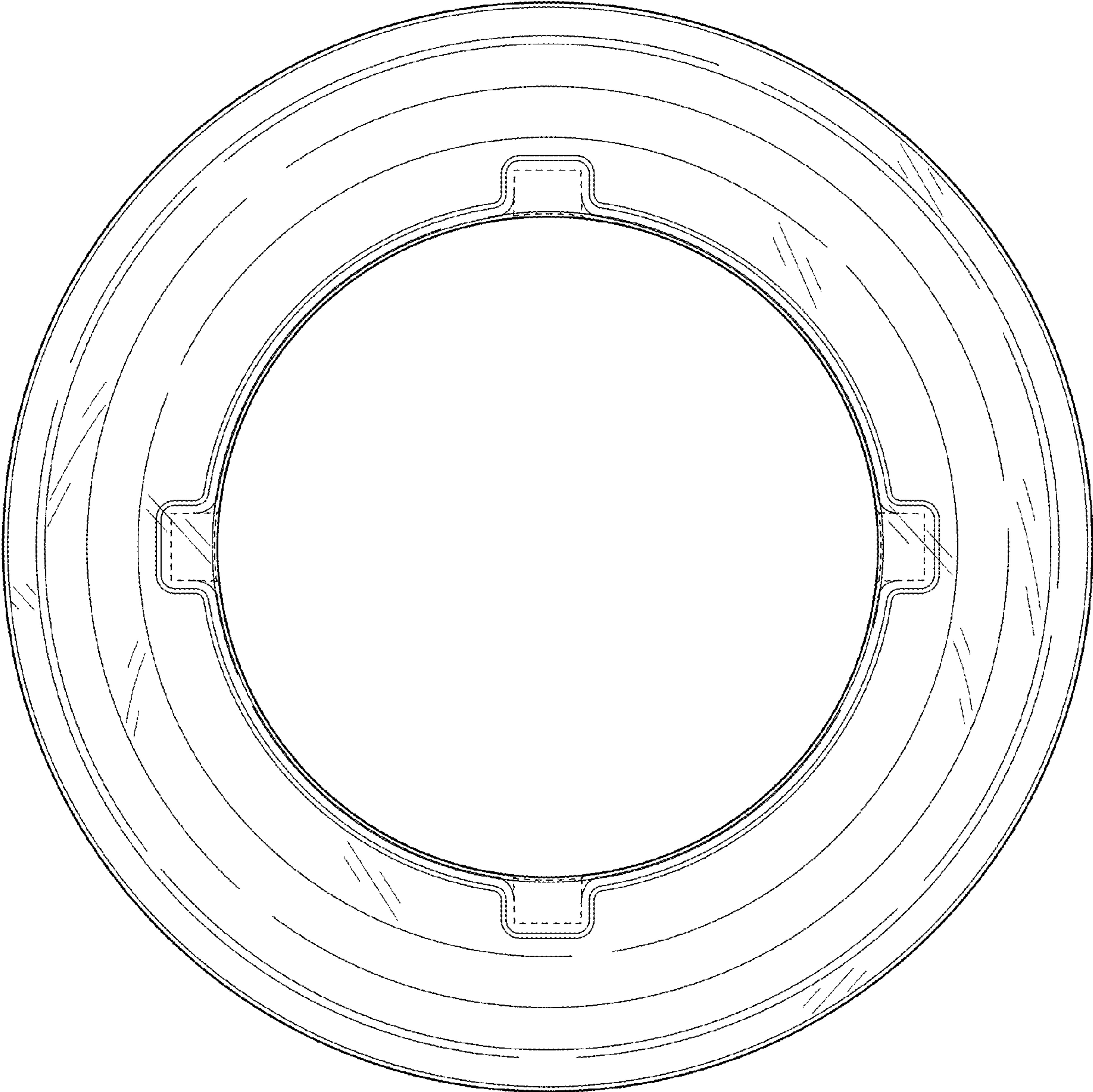


FIG. 6

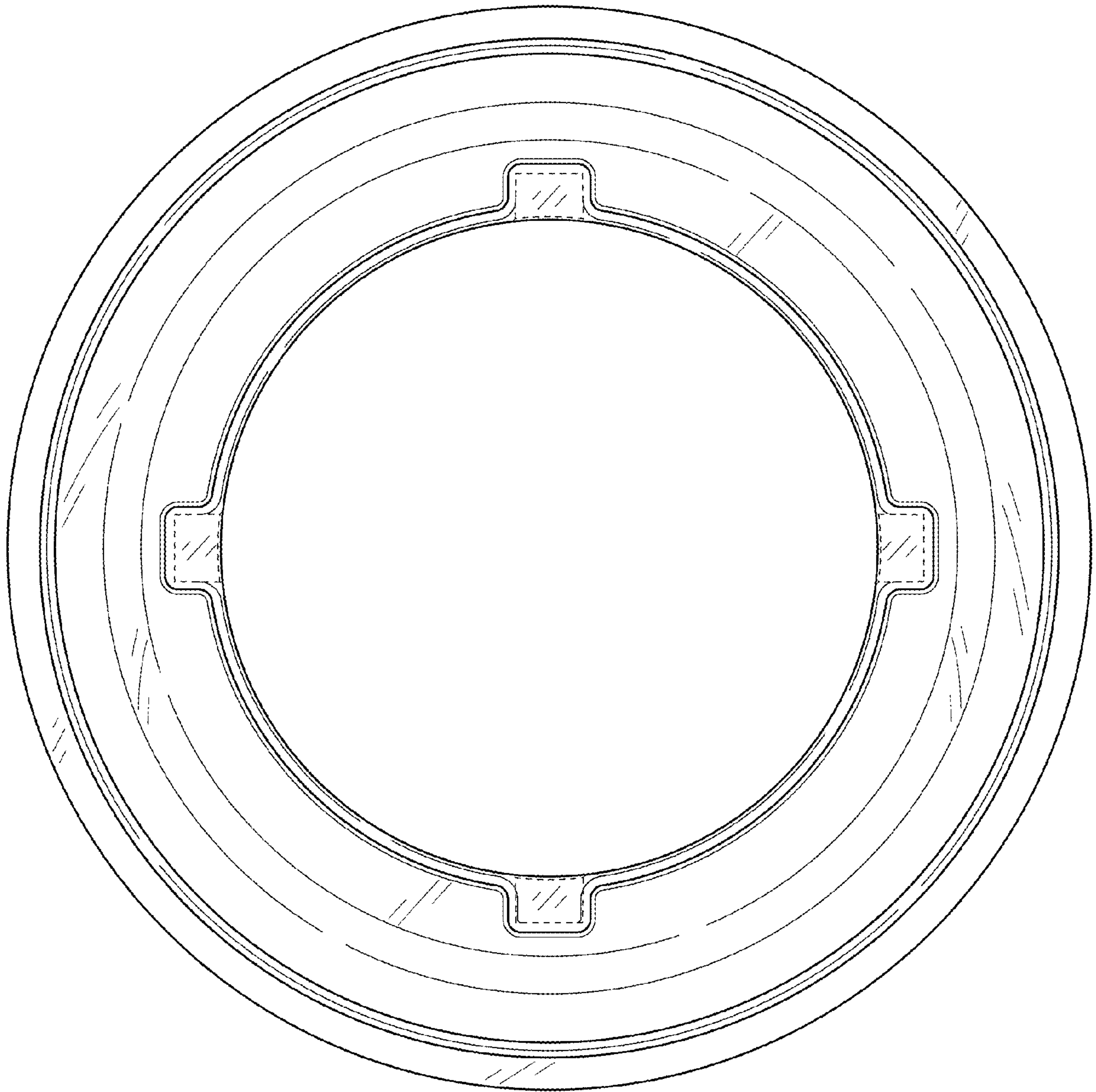


FIG. 7

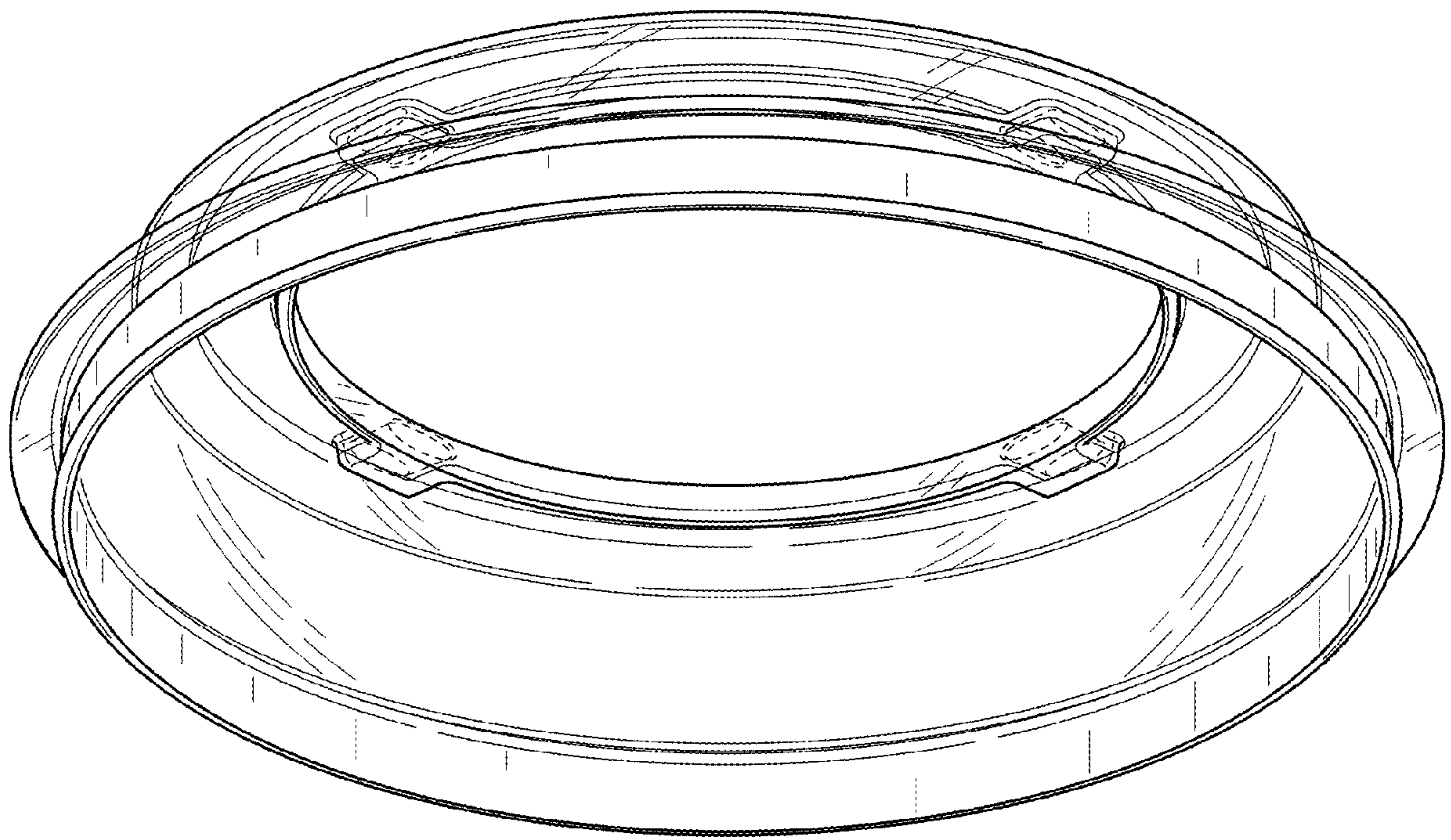


FIG. 8