



US00D874221S

(12) **United States Design Patent**
Kim et al.

(10) **Patent No.:** **US D874,221 S**

(45) **Date of Patent:** **** Feb. 4, 2020**

(54) **OVEN**

D778,670 S * 2/2017 Lee D7/405
D781,096 S * 3/2017 Kim D7/339
D786,006 S * 5/2017 Chung D7/340

(Continued)

(71) Applicant: **SAMSUNG ELECTRONICS CO., LTD.**, Suwon-si, Gyeonggi-do (KR)

(72) Inventors: **Hyunsoo Kim**, Seongnam-si (KR);
Hwanwoong Choi, Seoul (KR)

(73) Assignee: **SAMSUNG ELECTRONICS CO., LTD.**, Gyeonggi-Do (KR)

(**) Term: **15 Years**

(21) Appl. No.: **29/653,531**

(22) Filed: **Jun. 15, 2018**

(30) **Foreign Application Priority Data**

Mar. 9, 2018 (KR) 30-2018-0011617

(51) **LOC (12) Cl.** **07-02**

(52) **U.S. Cl.**
USPC **D7/406**

(58) **Field of Classification Search**

USPC D7/323, 340, 339, 332-337, 331, 351,
D7/346-349, 408, 405, 403, 402, 406,
D7/387, 345, 343, 539, 564, 571
CPC A47J 37/07; A47J 37/0763; A47J 37/0704;
H05B 1/0261; H05B 1/0263; H05B
6/687; F24C 3/008; F24C 3/002; F24C
3/00; F24C 7/02; F24C 7/00; F24C 5/00
See application file for complete search history.

(56) **References Cited**

U.S. PATENT DOCUMENTS

D437,176 S * 2/2001 Bullard D7/334
D696,554 S * 12/2013 Kim D7/406
D704,978 S * 5/2014 Kim D7/340
D736,027 S * 8/2015 Funnell, II et al.
D755,558 S * 5/2016 Lee D7/340
D755,563 S * 5/2016 Kim D7/406
D764,853 S * 8/2016 Kim D7/339

FOREIGN PATENT DOCUMENTS

KR 300539902 S 9/2009
KR 300608756 S 8/2011
KR 300784884 S 2/2015

OTHER PUBLICATIONS

Benchmark 30" Gas Slide-in Range, HGIP054UC, Stainless Steel. Pages 1-4 [online]. [retrieved on Jun. 15, 2018]. Retrieved from the Internet: <URL: <https://www.bosch-home.com/us/productslist/cooking-baking/slide-in-ranges/gas-slidein-ranges/HGIP054UC?breadcrumb=freestandinggascooker>.>

(Continued)

Primary Examiner — Nicole C Shiflet

(74) *Attorney, Agent, or Firm* — Cantor Colburn LLP

(57) **CLAIM**

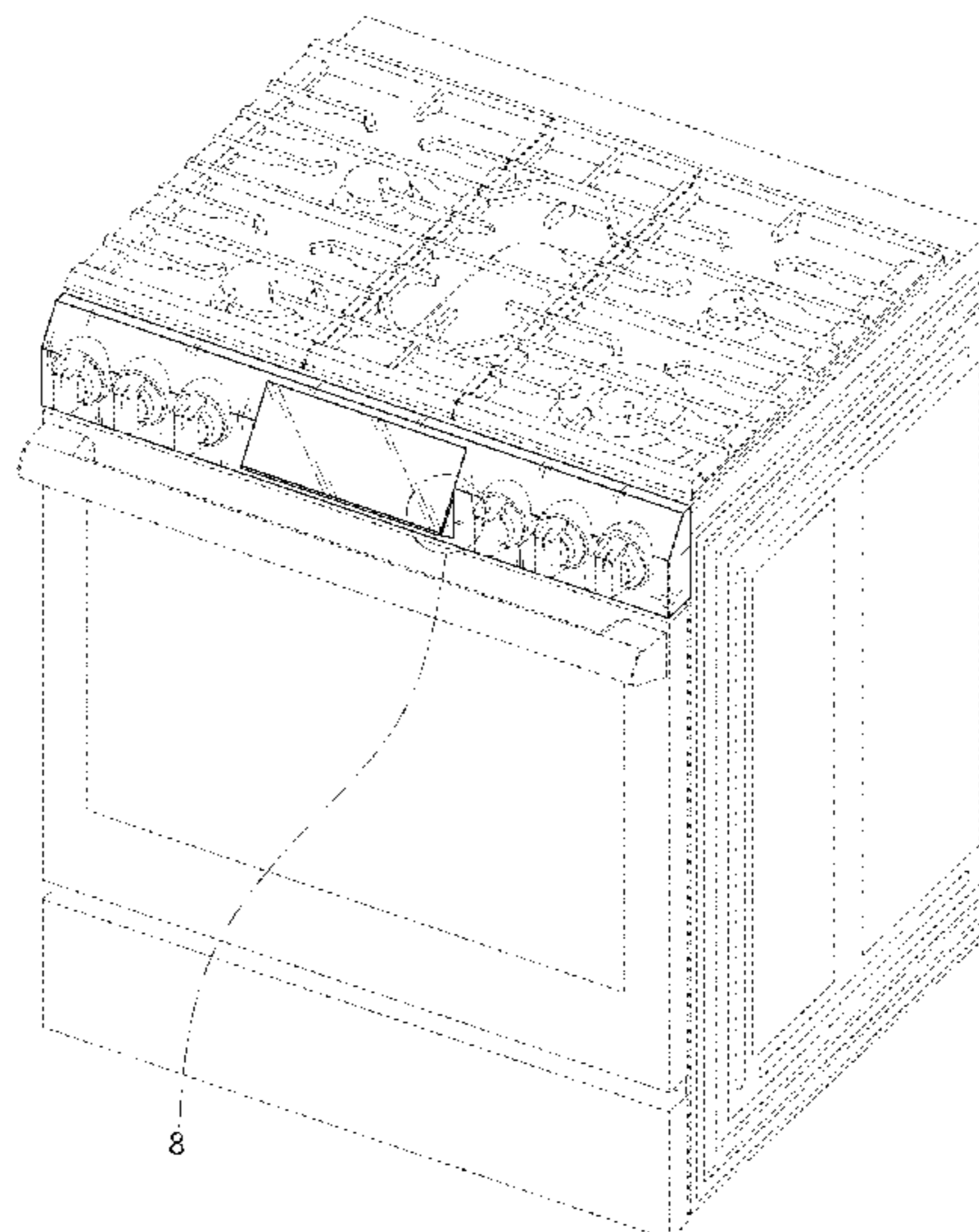
The ornamental design for an oven, as shown and described.

DESCRIPTION

FIG. 1 is a front perspective view of an oven, showing our new design;
FIG. 2 is a front view thereof;
FIG. 3 is a rear view thereof;
FIG. 4 is a left-side view thereof;
FIG. 5 is a right-side view thereof;
FIG. 6 is a top view thereof;
FIG. 7 is a bottom view thereof; and,
FIG. 8 is an enlarged view of the encircled portion in FIG. 1.

The even-dash broken lines depict portions of the oven that form no part of the claimed design. The dot-dot-dash broken lines encircling the enlargement portion of the claimed design form no part of the claimed design.

1 Claim, 8 Drawing Sheets



(56)

References Cited

U.S. PATENT DOCUMENTS

D787,257 S * 5/2017 Kim D7/339
D788,513 S 6/2017 Chung et al.
D840,738 S * 2/2019 Chung D7/340

OTHER PUBLICATIONS

Kenmore Elite 32363 4.5 cu. ft. Gas Range w/True Convection—
Stainless Steel. p. 1-12 [online]. [retrieved on Jun. 15, 2018].
Retrieved from the Internet: <URL: [https://www.kenmore.com/
products/kenmore-elite-32363-4-5-cu-ft-self-clean-gas-true-convection-
range-stainless-steel/](https://www.kenmore.com/products/kenmore-elite-32363-4-5-cu-ft-self-clean-gas-true-convection-range-stainless-steel/).

NE58K9500SG Electric Range with Slide-in Design, 5.8 cu.ft. pp.
1-11 [online]. [retrieved on Jun. 15, 2018]. Retrieved from the
Internet: <URL: [http://www.samsung.com/ca/cooking-appliances/
electric-range-ne58k9500sg/](http://www.samsung.com/ca/cooking-appliances/electric-range-ne58k9500sg/).

* cited by examiner

FIG. 1

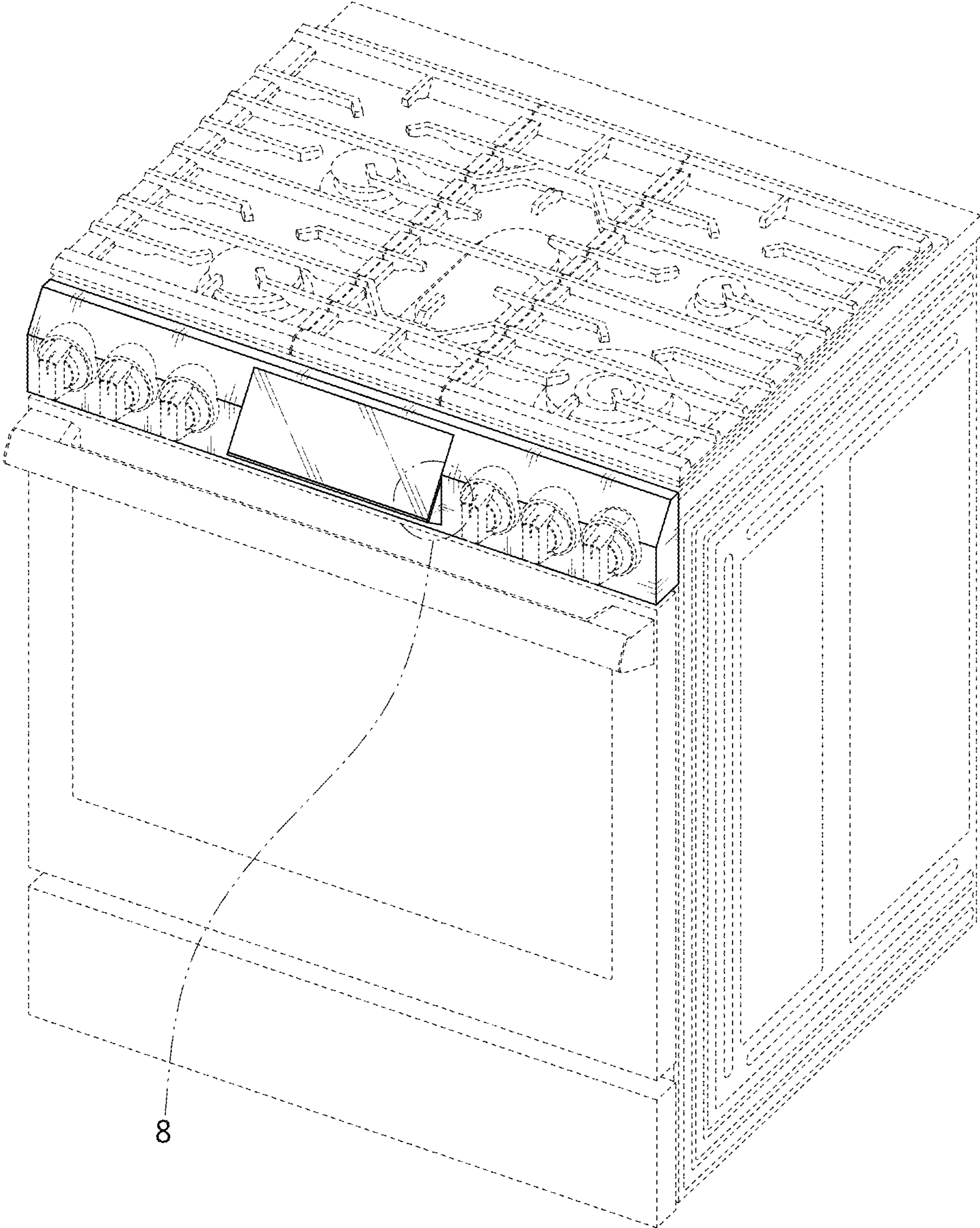


FIG. 2

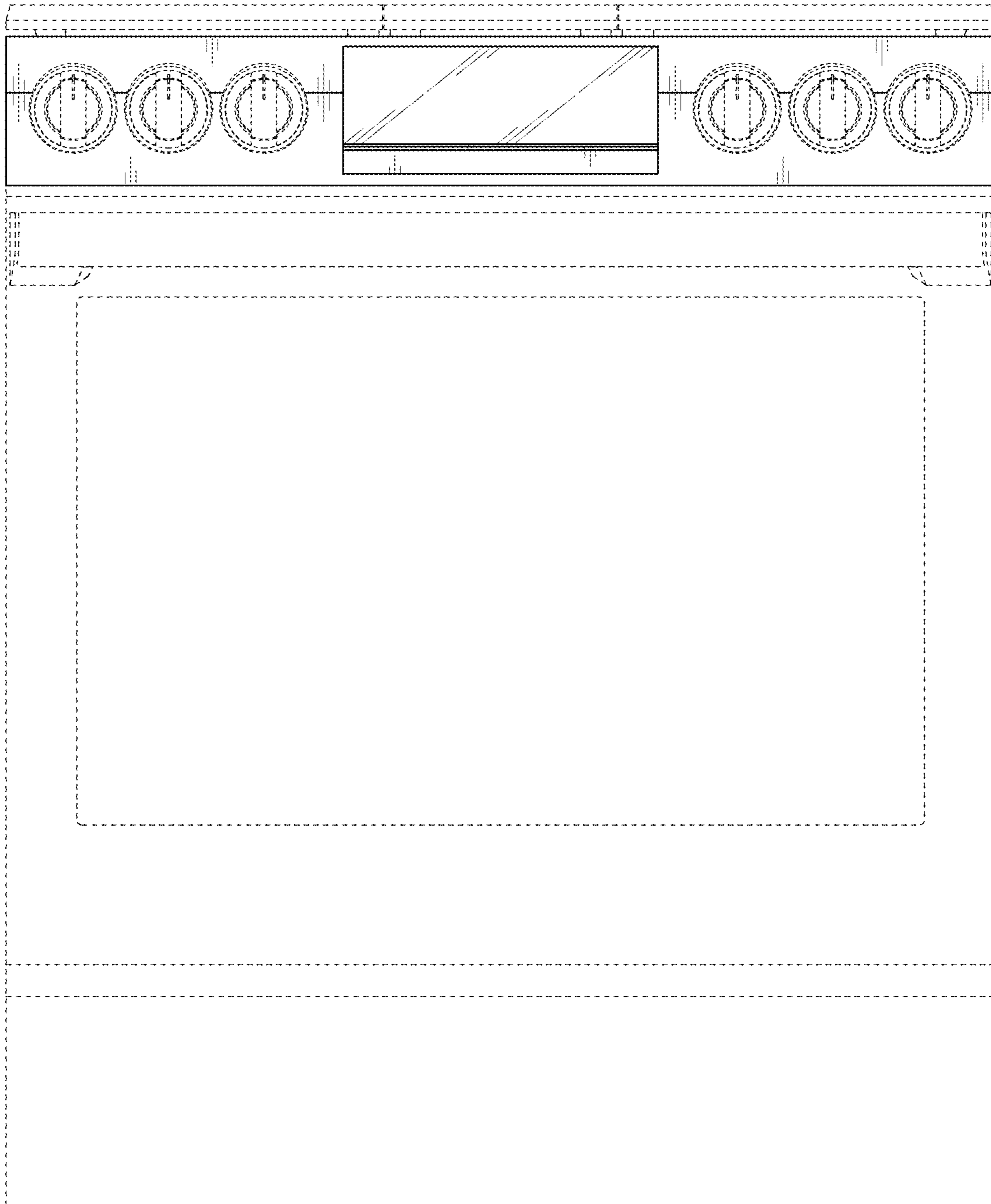


FIG. 3

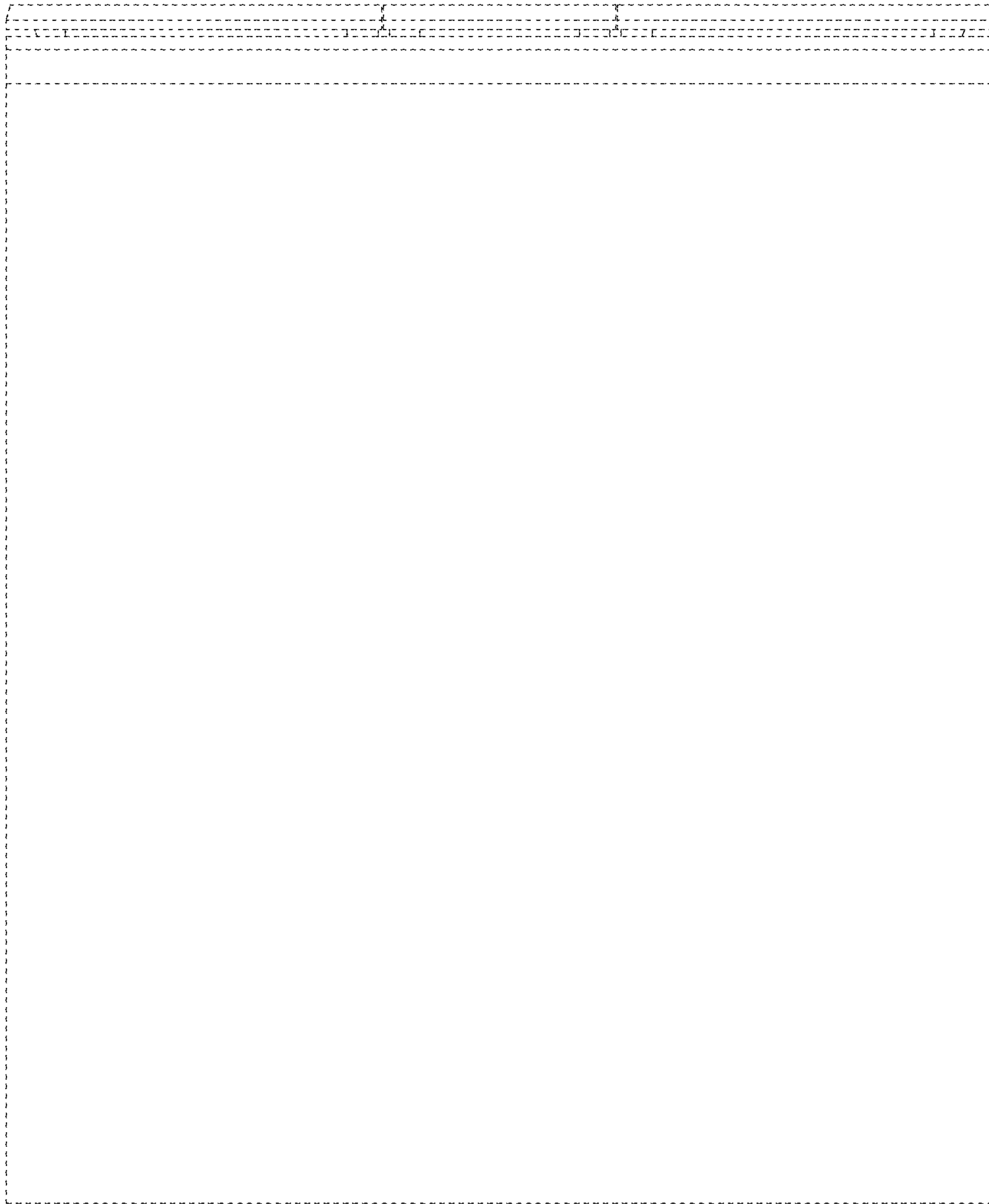


FIG. 4

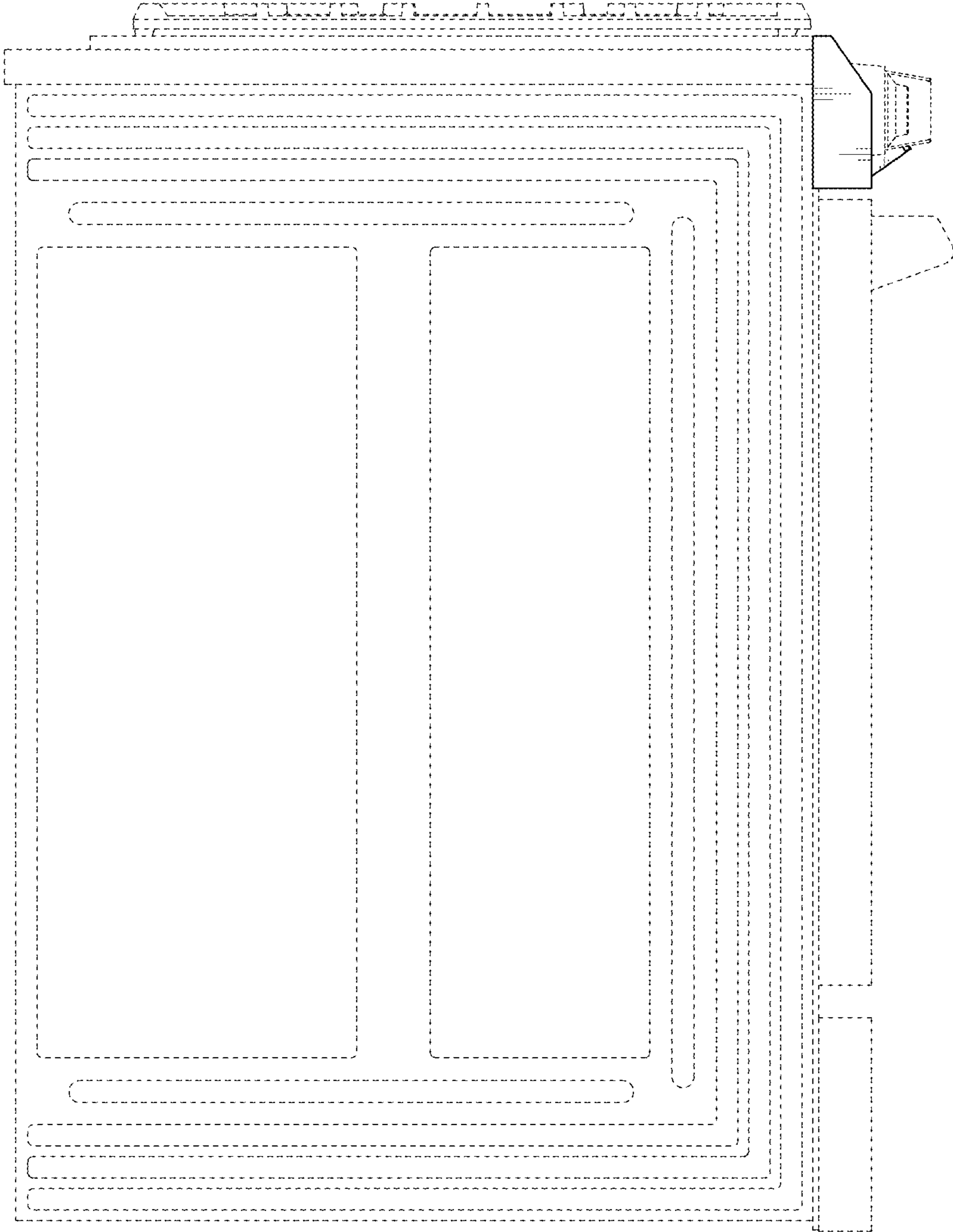


FIG. 5

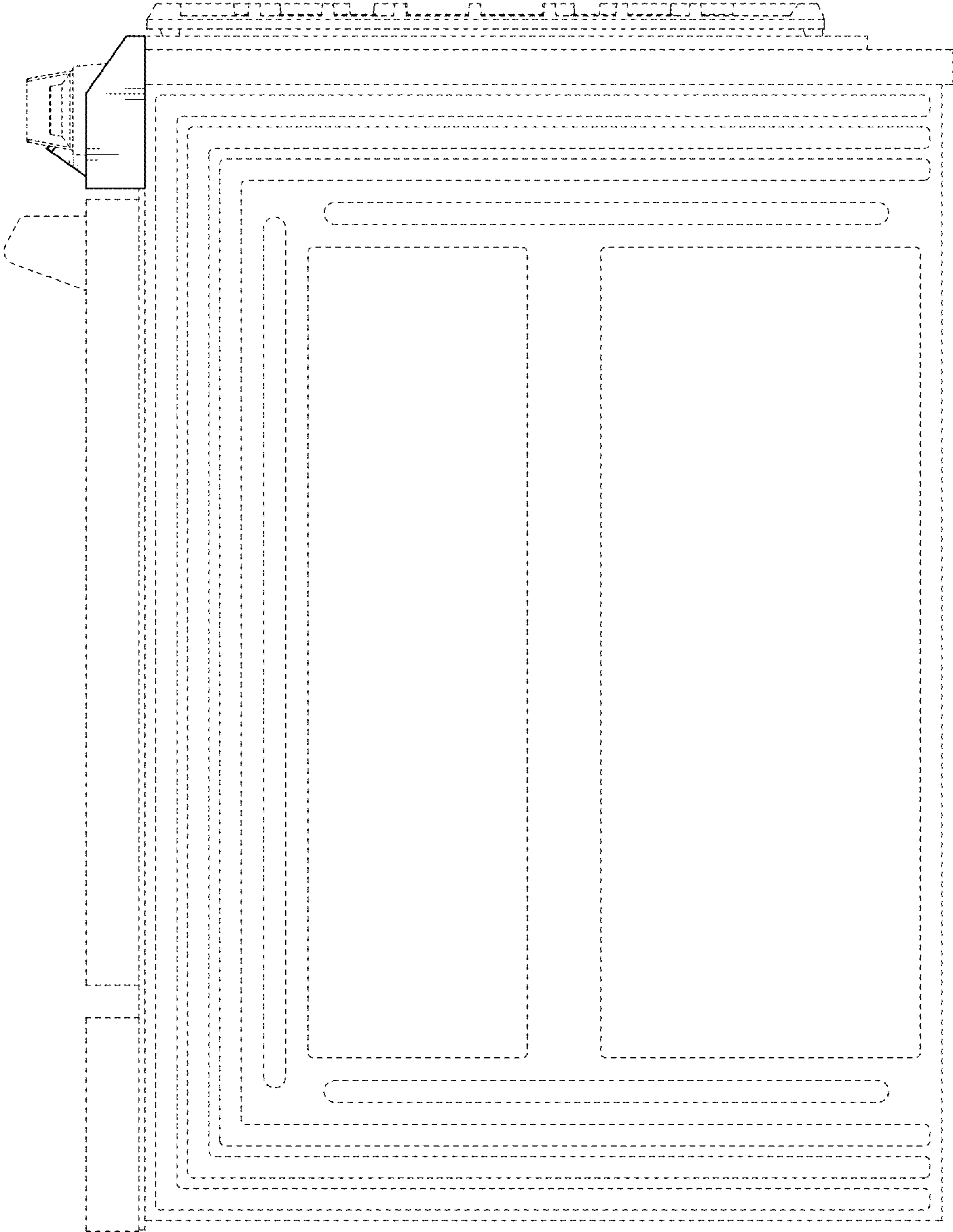


FIG. 6

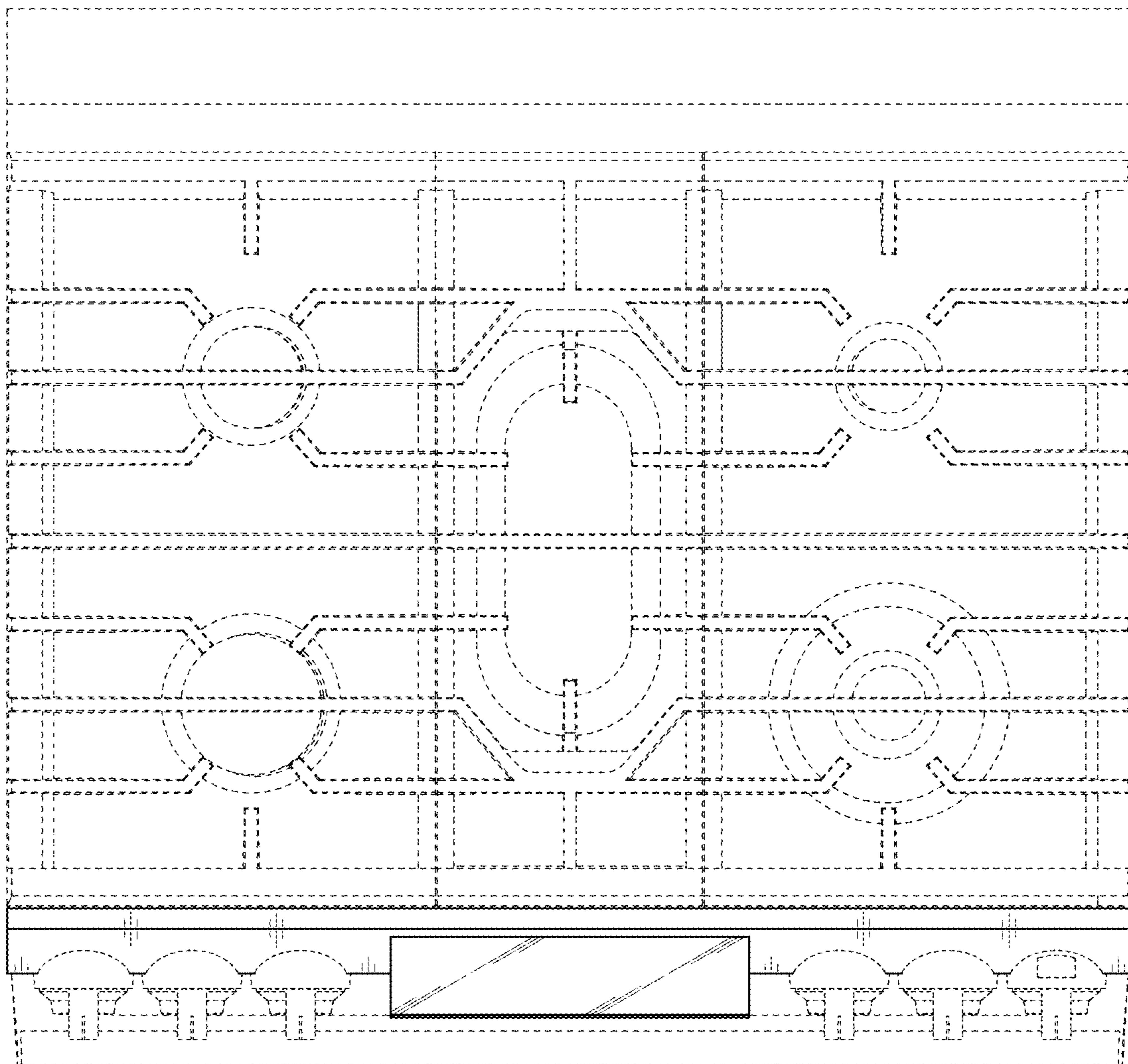


FIG. 7

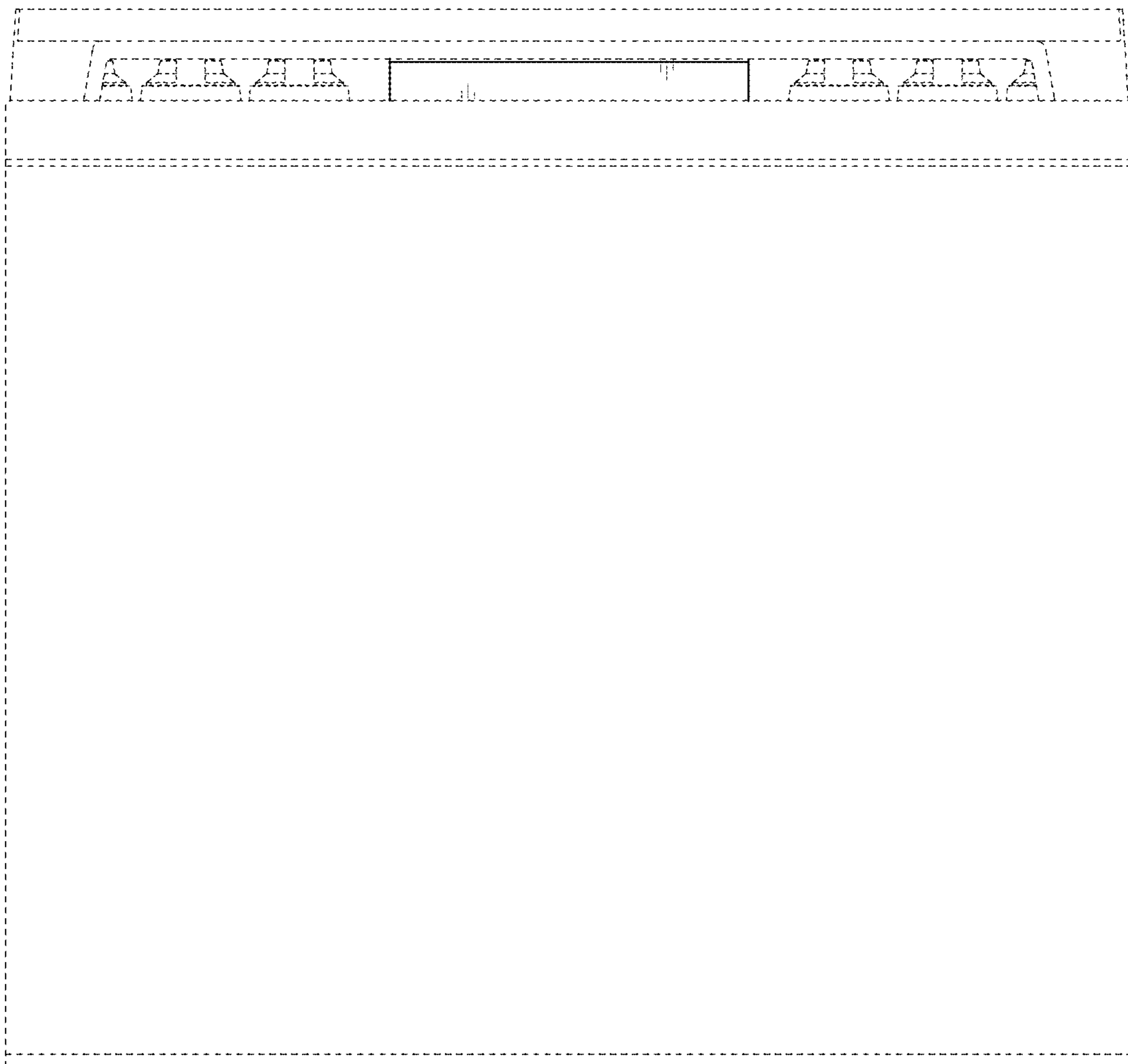


FIG. 8

