



US00D874220S

(12) **United States Design Patent**
Kim et al.

(10) **Patent No.:** **US D874,220 S**

(45) **Date of Patent:** **** Feb. 4, 2020**

(54) **OVEN**

D755,558 S * 5/2016 Lee D7/340
D781,648 S * 3/2017 Shoemaker D7/406
D814,229 S * 4/2018 Hu D7/340

(Continued)

(71) Applicant: **SAMSUNG ELECTRONICS CO., LTD.**, Suwon-si, Gyeonggi-do (KR)

(72) Inventors: **Hyunsoo Kim**, Seongnam-si (KR);
Hwanwoong Choi, Seoul (KR)

(73) Assignee: **SAMSUNG ELECTRONICS CO., LTD.**, Gyeonggi-Do (KR)

FOREIGN PATENT DOCUMENTS

EM 001205348-0005 4/2010
EM 002023234-0008 4/2012
KR 300346428 S 3/2004

(Continued)

(**) Term: **15 Years**

OTHER PUBLICATIONS

(21) Appl. No.: **29/650,001**

Consumer Reports. GE Cafe CGS990SETSS range [online]. pp. 1-2 [retrieved on Jun. 4, 2018]. Retrieved from the Internet: <URL: <https://www.consumerreports.org/products/gas-range/ge-cafecgs990setss-197977/overview>.

(Continued)

(22) Filed: **Jun. 4, 2018**

(30) **Foreign Application Priority Data**

Feb. 19, 2018 (KR) 30-2018-0008269

(51) **LOC (12) Cl.** **07-02**

(52) **U.S. Cl.**
USPC **D7/406**

(58) **Field of Classification Search**
USPC D7/323, 340, 339, 332-337, 331, 351,
D7/346-349, 408, 405, 403, 402, 406,
D7/387, 345, 343, 539, 564, 571
CPC A47J 37/07; A47J 37/0763; A47J 37/0704;
H05B 1/0261; H05B 1/0263; H05B
6/687; F24C 3/008; F24C 3/002; F24C
3/00; F24C 7/02; F24C 7/00; F24C 5/00
See application file for complete search history.

Primary Examiner — Nicole C Shiflet

(74) *Attorney, Agent, or Firm* — Cantor Colburn LLP

(57) **CLAIM**

The ornamental design for an oven, as shown and described.

DESCRIPTION

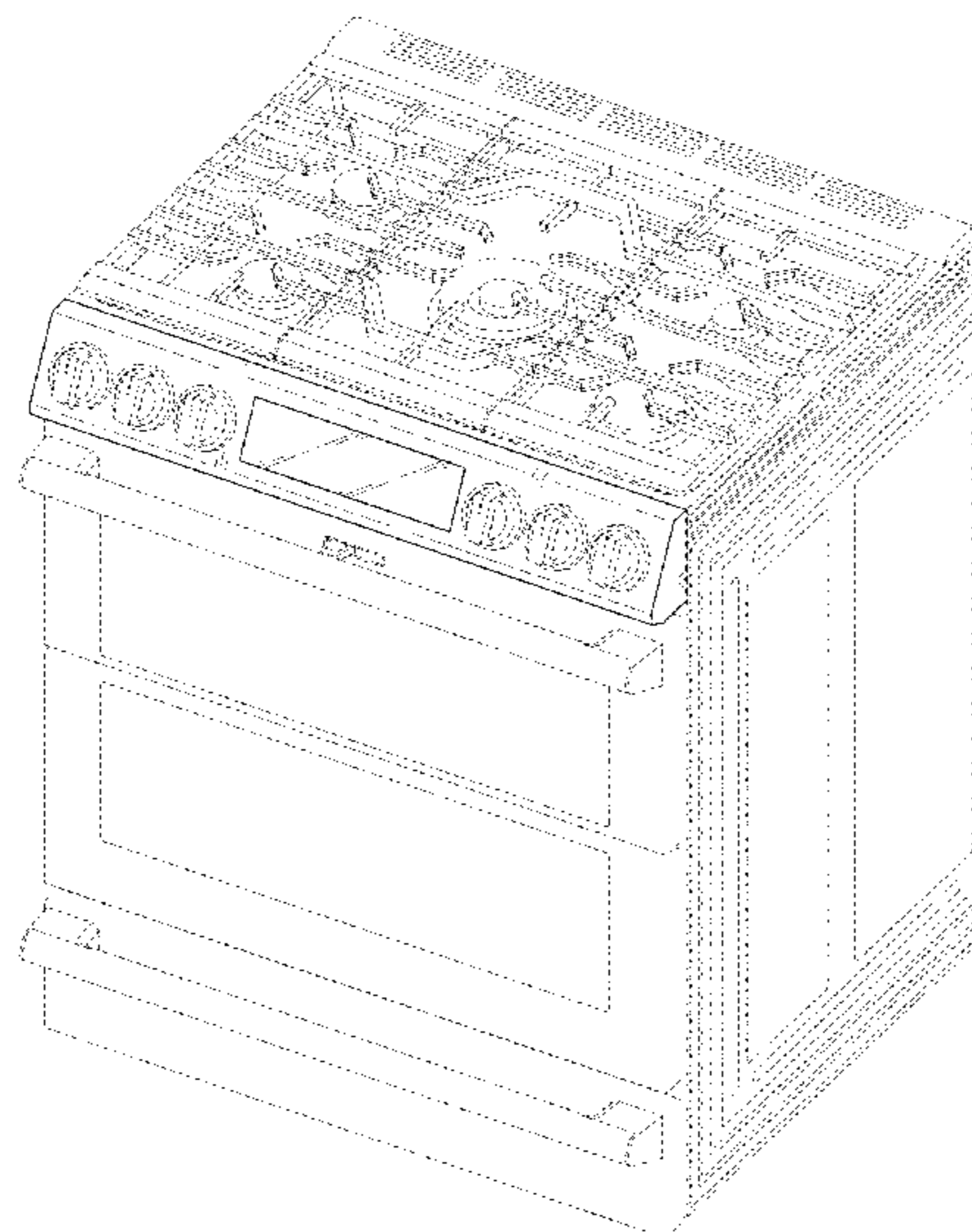
FIG. 1 is a front perspective view of an oven, showing our new design;
FIG. 2 is a front view thereof;
FIG. 3 is a rear view thereof;
FIG. 4 is a left-side view thereof;
FIG. 5 is a right-side view thereof;
FIG. 6 is a top view thereof;
FIG. 7 is a bottom view thereof; and,
FIG. 8 is an enlarged view of the portion 8 in FIG. 5.
The even-dash broken lines depict portions of the oven that form no part of the claimed design. The dot-dot-dash broken lines encircling enlargement portions of the claimed design form no part of the claimed design.

(56) **References Cited**

U.S. PATENT DOCUMENTS

D437,176 S * 2/2001 Bullard D7/334
D560,419 S * 1/2008 Lockhart D7/334
D564,282 S * 3/2008 Suh D7/340
D604,987 S * 12/2009 Jung D7/348
D731,845 S * 6/2015 Kim D7/340
D750,413 S * 3/2016 Funnell, II D7/348
D755,008 S * 5/2016 Kim D7/406

1 Claim, 8 Drawing Sheets



(56)

References Cited

U.S. PATENT DOCUMENTS

D816,386 S * 5/2018 Kim D7/340
D859,054 S * 9/2019 Kim D7/340

FOREIGN PATENT DOCUMENTS

KR 300777511 S 12/2014
KR 300784884 S 2/2015
KR 300784885 S 2/2015

OTHER PUBLICATIONS

Frigidaire Professional vs. GE Profile Gas Slide-ins (Reviews/
Ratings). pp. 1-10 [online]. [retrieved on Jun. 4, 2018]. Retrieved
from the Internet: <URL: [https://blog.yaleappliance.com/frigidaire-
pro-vs-ge-profile-gas-slidein-ranges](https://blog.yaleappliance.com/frigidaire-pro-vs-ge-profile-gas-slidein-ranges).

* cited by examiner

FIG. 1

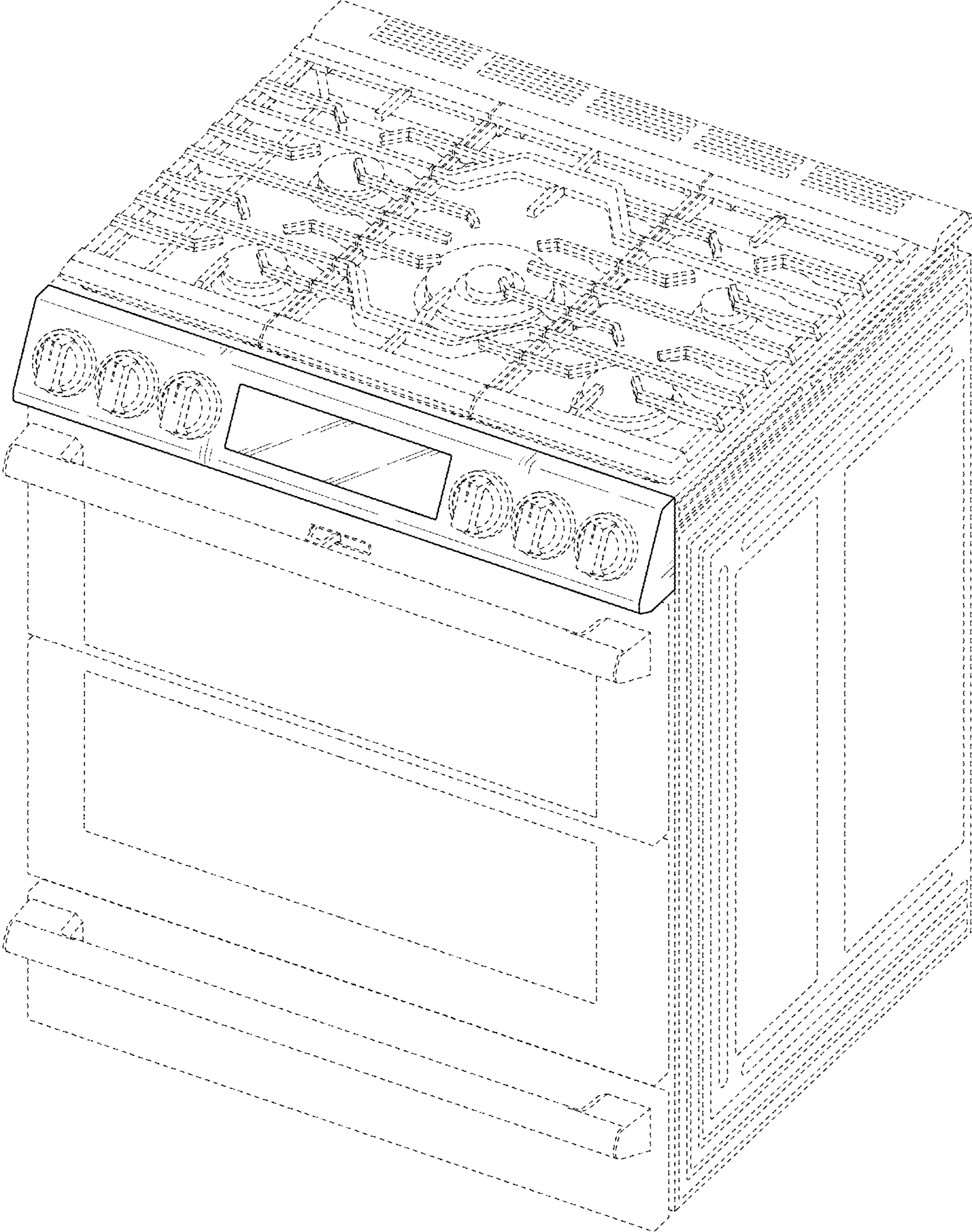


FIG. 2

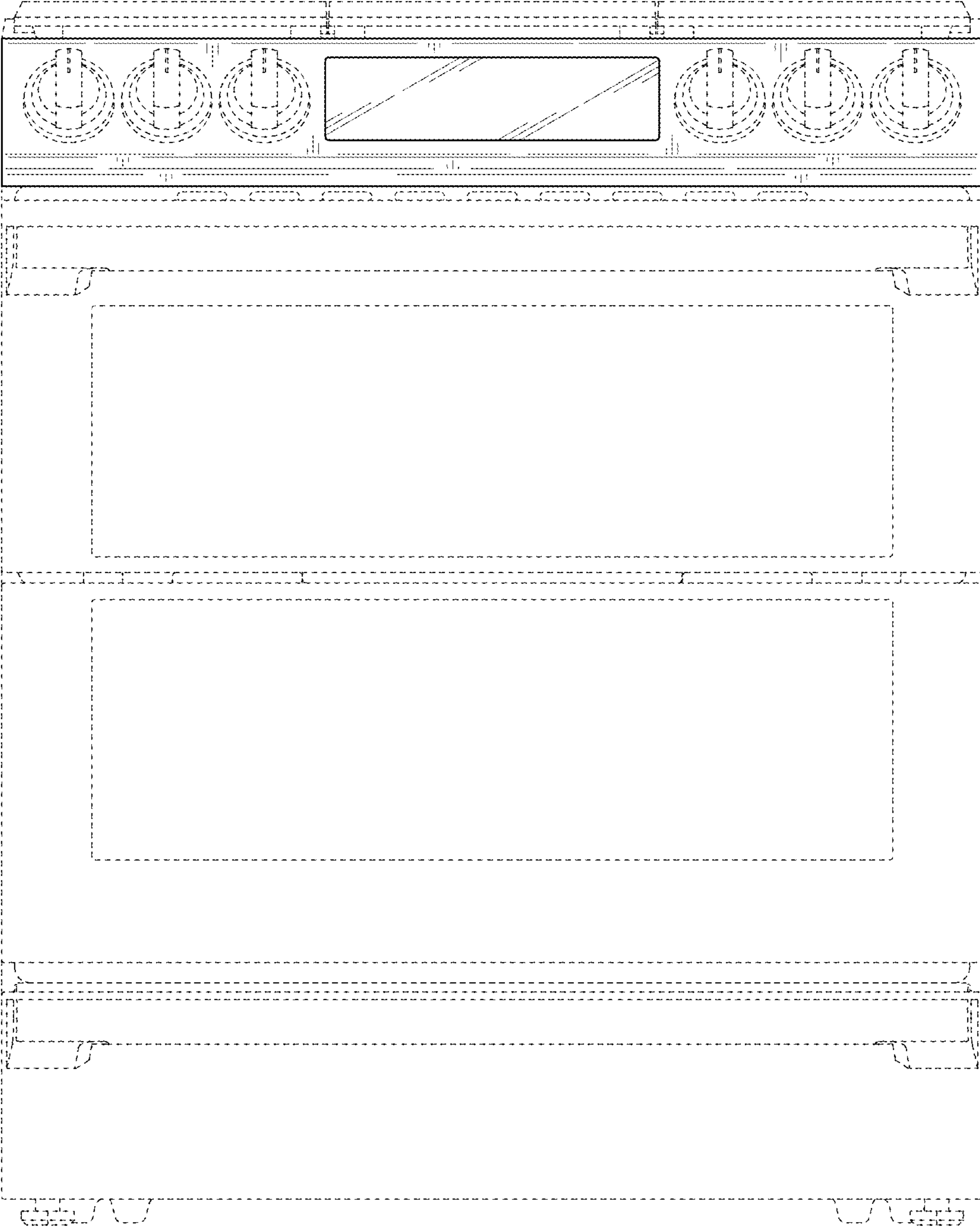


FIG. 3

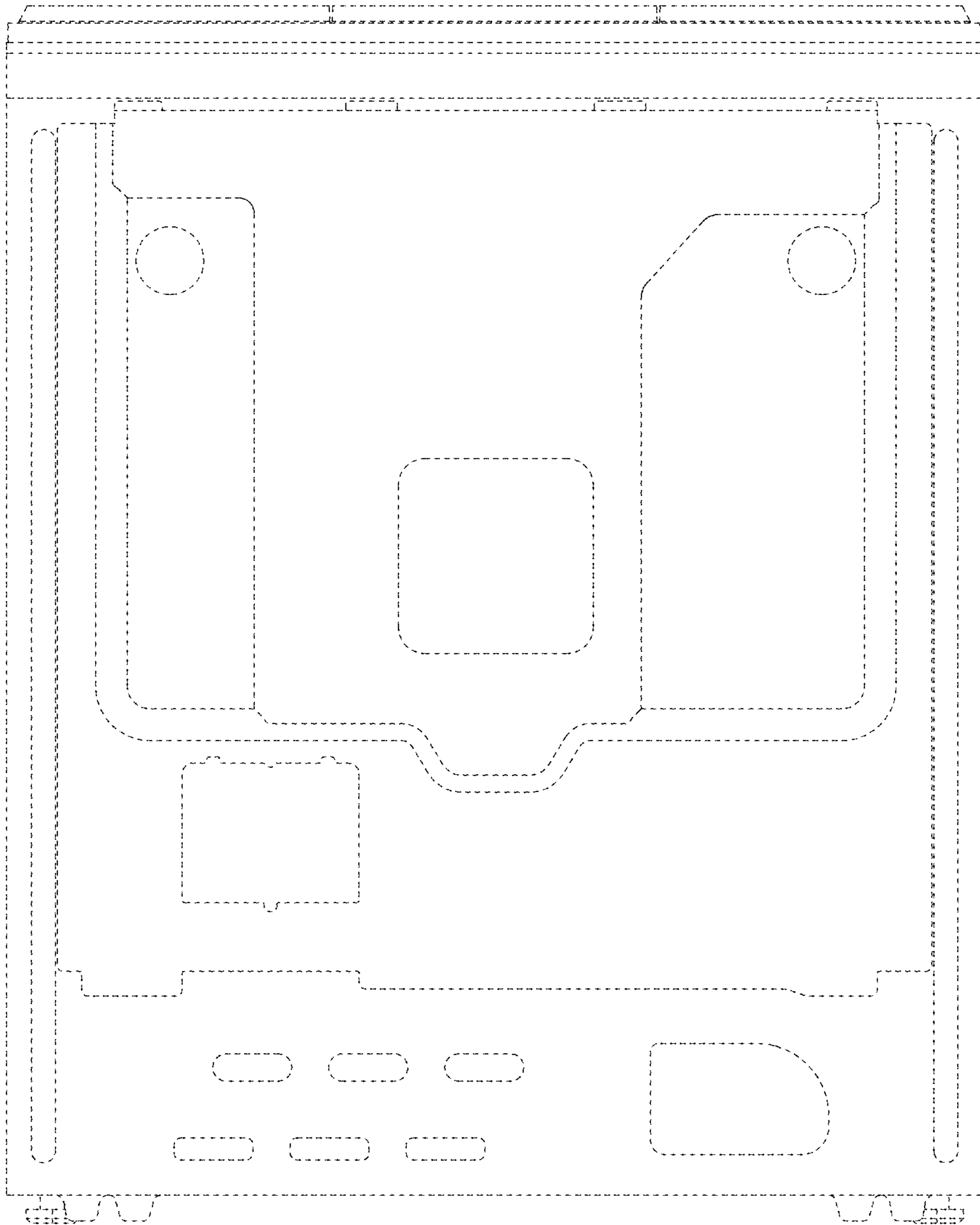


FIG. 4

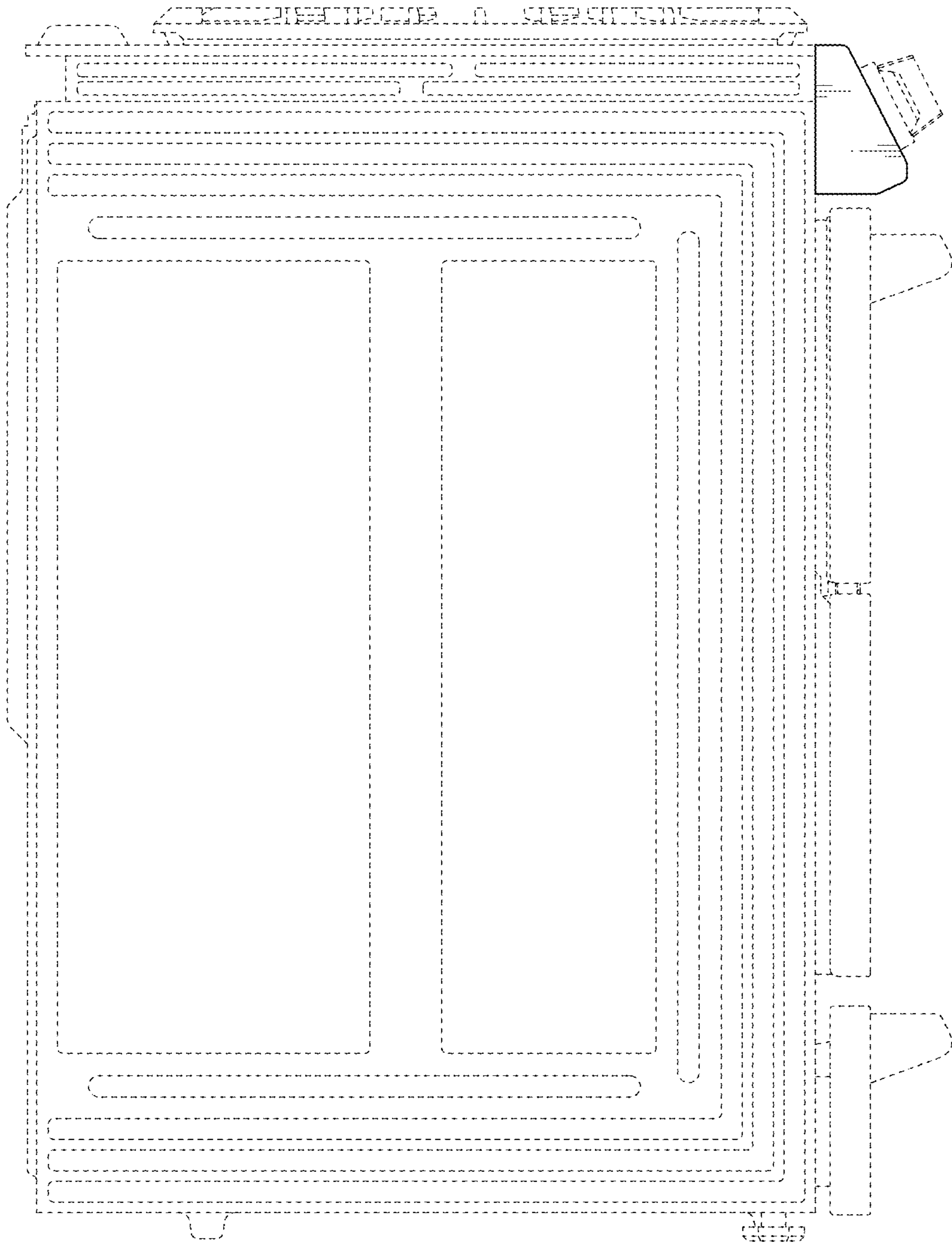


FIG. 5

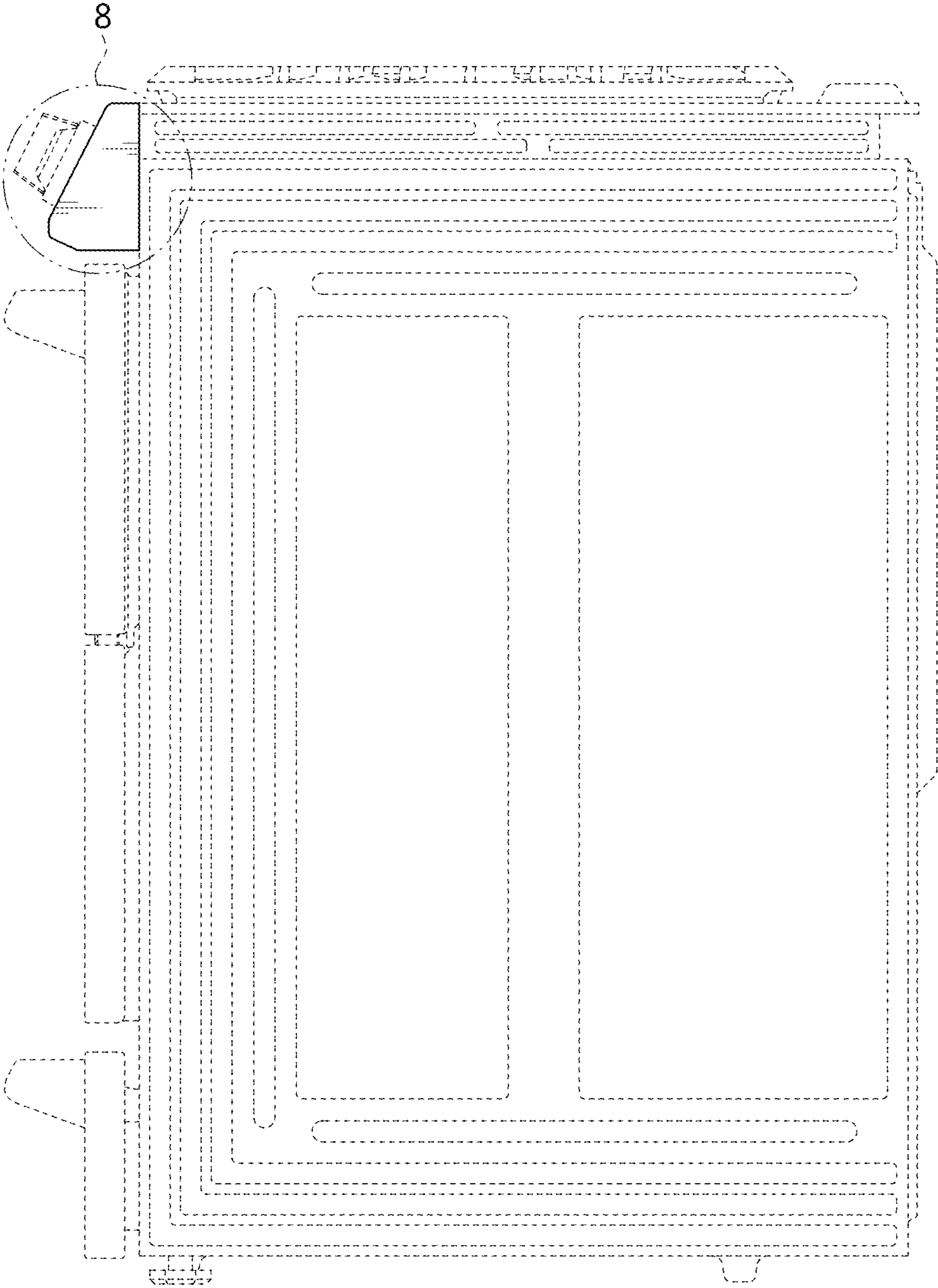


FIG. 6

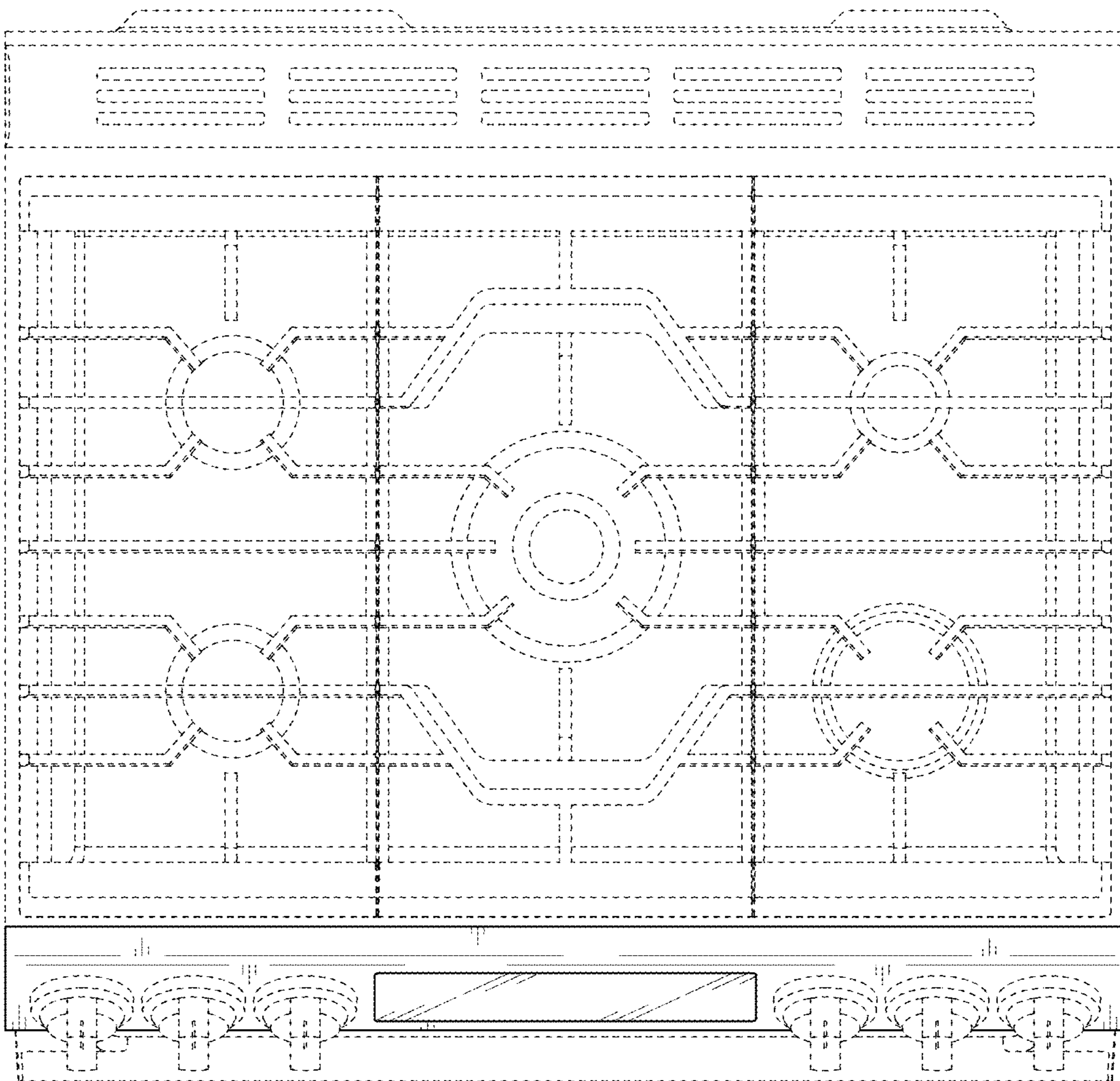


FIG. 7

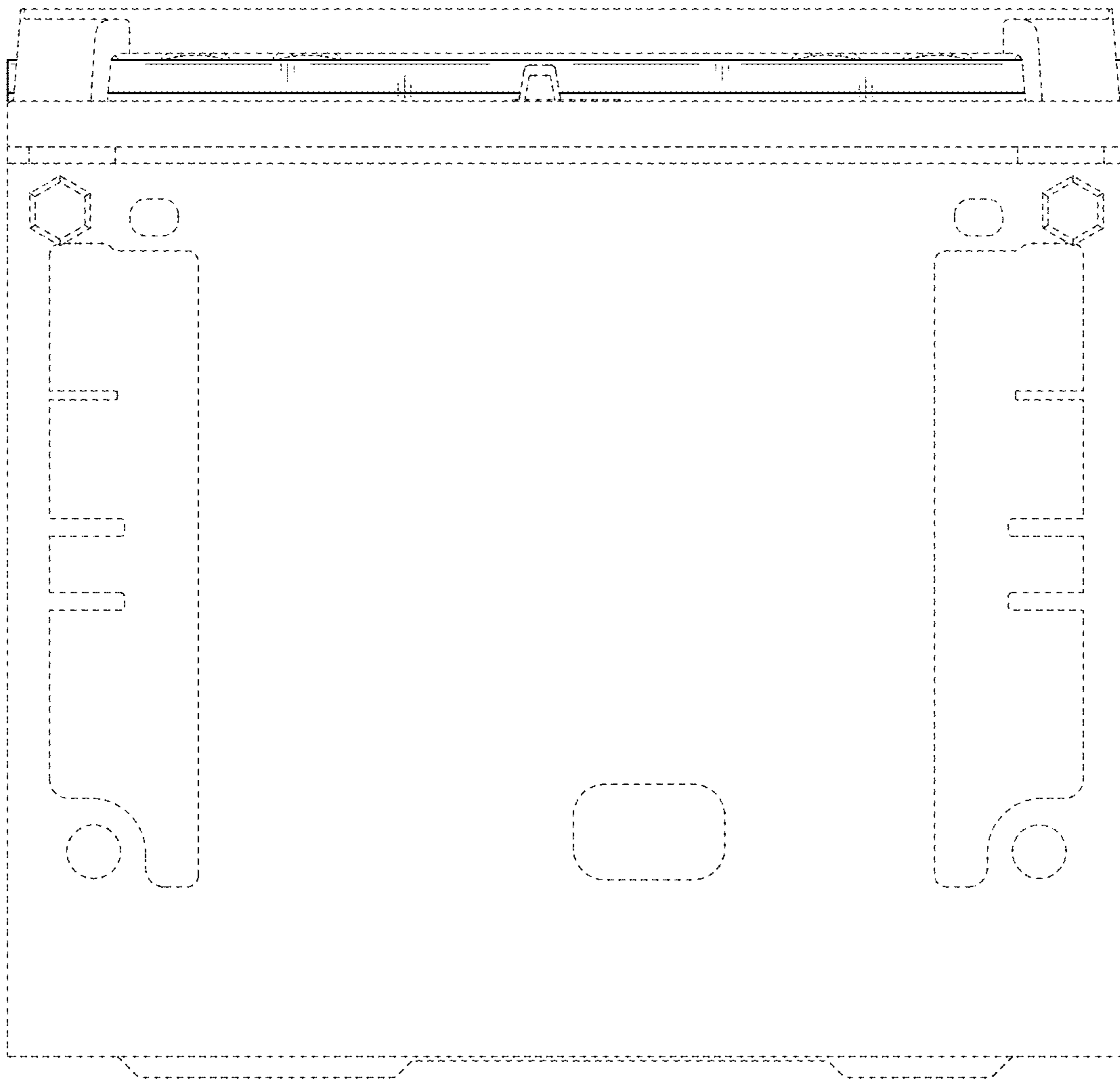


FIG. 8

