



US00D874218S

(12) **United States Design Patent** (10) **Patent No.:** **US D874,218 S**
Wood et al. (45) **Date of Patent:** **** *Feb. 4, 2020**

- (54) **BEVERAGE CARTRIDGE**
- (71) Applicant: **Bedford Systems, LLC**, Bedford, MA (US)
- (72) Inventors: **Barry Wood**, Norwood, MA (US);
Michael Sack, North Reading, MA (US); **Enrico Cafaro**, Beverly, MA (US)
- (73) Assignee: **BEDFORD SYSTEMS LLC**, Bedford, MA (US)
- (*) Notice: This patent is subject to a terminal disclaimer.
- (**) Term: **15 Years**
- (21) Appl. No.: **29/641,562**
- (22) Filed: **Mar. 22, 2018**
- (51) **LOC (12) Cl.** **07-99**
- (52) **U.S. Cl.**
USPC **D7/400; D9/428**
- (58) **Field of Classification Search**
USPC **D7/400, 399, 397; D9/428, 429, 772**
CPC **B65D 85/8043**
See application file for complete search history.

- D708,475 S * 7/2014 Bolzicco D7/397
- 8,771,768 B2 * 7/2014 York B65D 85/8043
426/80
- D727,141 S * 4/2015 Mastropasqua D9/416
- D744,861 S * 12/2015 Fortner D9/772
- D746,676 S * 1/2016 Raphaelson D9/428
- 9,445,688 B2 * 9/2016 Flick A47J 31/4492
- D791,534 S * 7/2017 Bueno D7/400
- 9,968,216 B2 * 5/2018 Smith A47J 31/407
- 2007/0175335 A1 * 8/2007 Liverani A47J 31/3695
99/279
- 2015/0037470 A1 * 2/2015 Zweed A47J 31/0673
426/115
- 2017/0217669 A1 * 8/2017 Mastropasqua B65D 85/8043

* cited by examiner

Primary Examiner — Marianne N Pandozzi
(74) *Attorney, Agent, or Firm* — Dorsey & Whitney LLP

(57) **CLAIM**

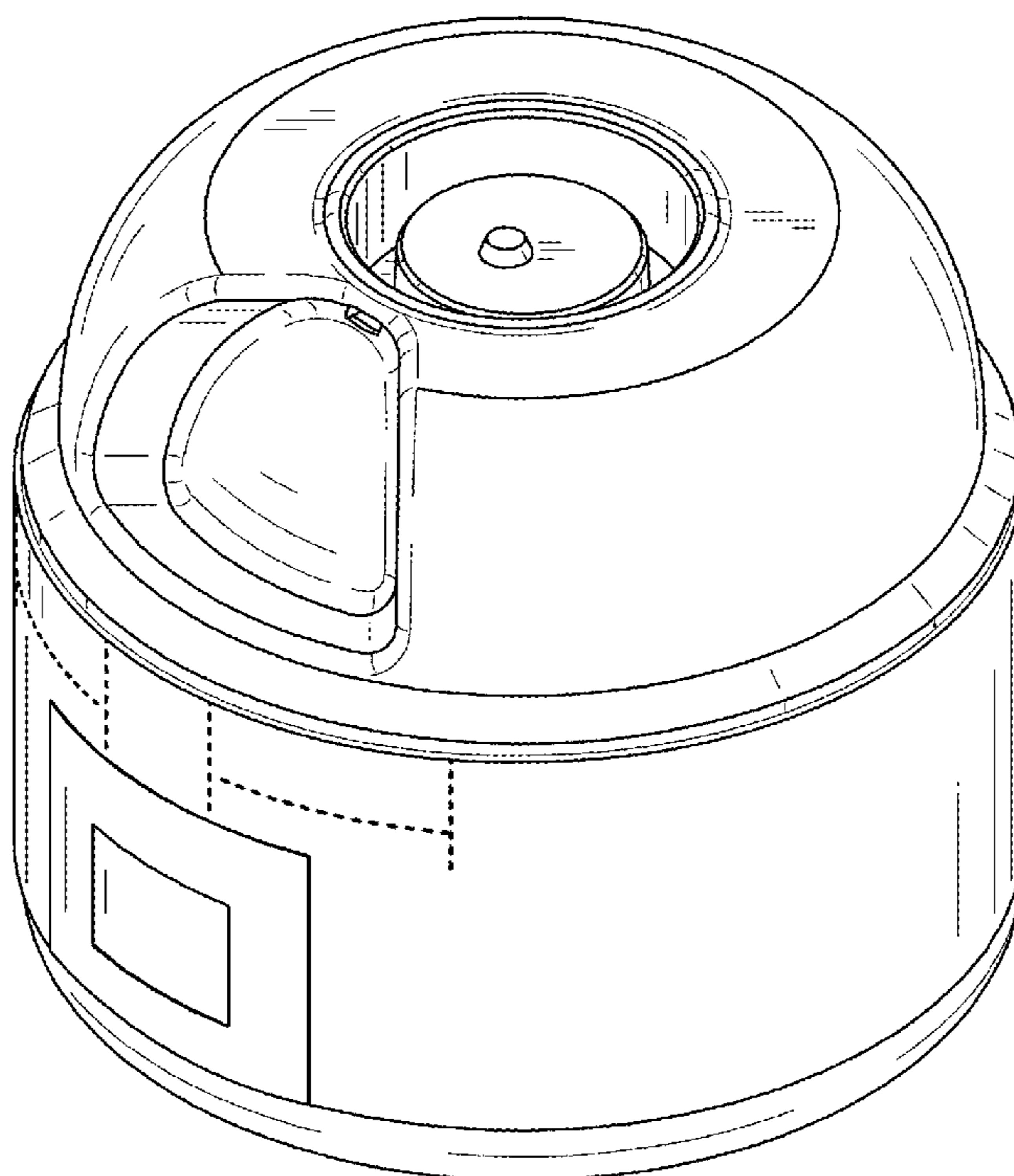
We claim the ornamental design for a beverage cartridge, as shown and described.

DESCRIPTION

FIG. 1 is a perspective view of a beverage cartridge showing our new design;
FIG. 2 is a front view thereof;
FIG. 3 is a rear view thereof;
FIG. 4 is a right side view thereof;
FIG. 5 is a left side view thereof;
FIG. 6 is a top plan view thereof; and,
FIG. 7 is a bottom plan view thereof.
The broken lines in the drawings depict portions of the beverage cartridge that form no part of the claimed design.

1 Claim, 5 Drawing Sheets

- (56) **References Cited**
U.S. PATENT DOCUMENTS
D383,264 S * 9/1997 Balz D32/29.1
D567,021 S * 4/2008 Bach D7/387
D655,978 S * 3/2012 Bolzicco D7/397



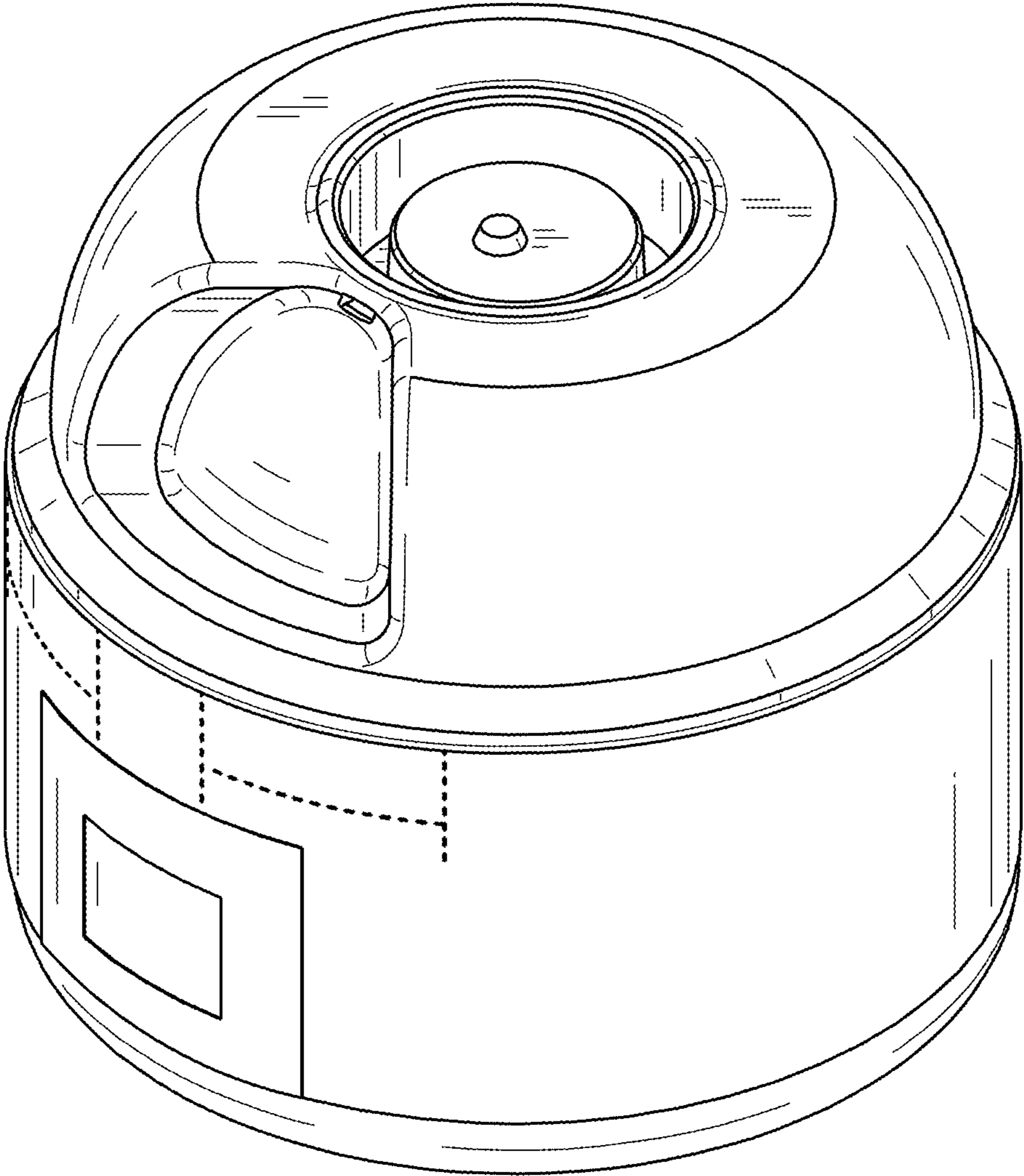


FIG. 1

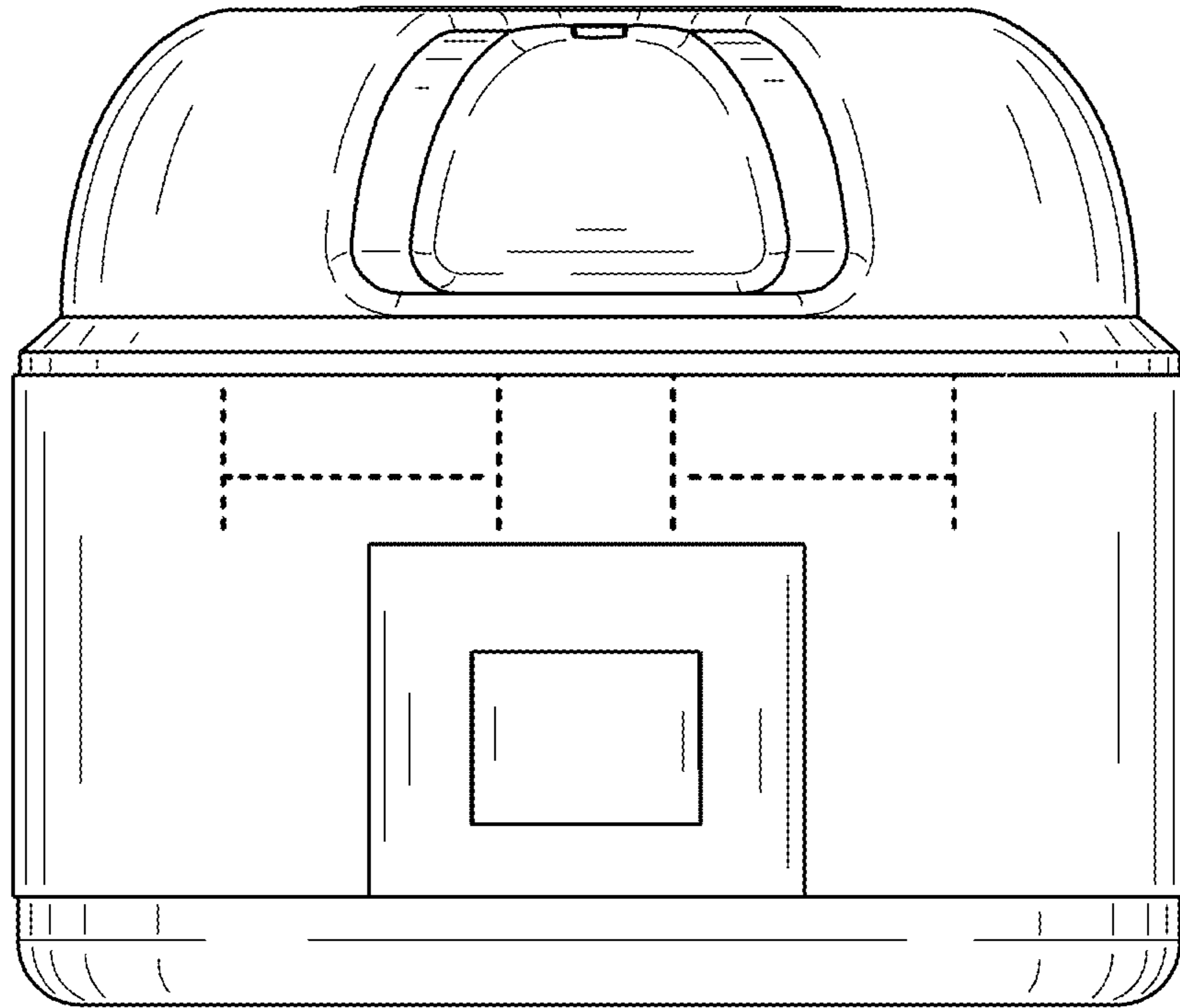


FIG. 2

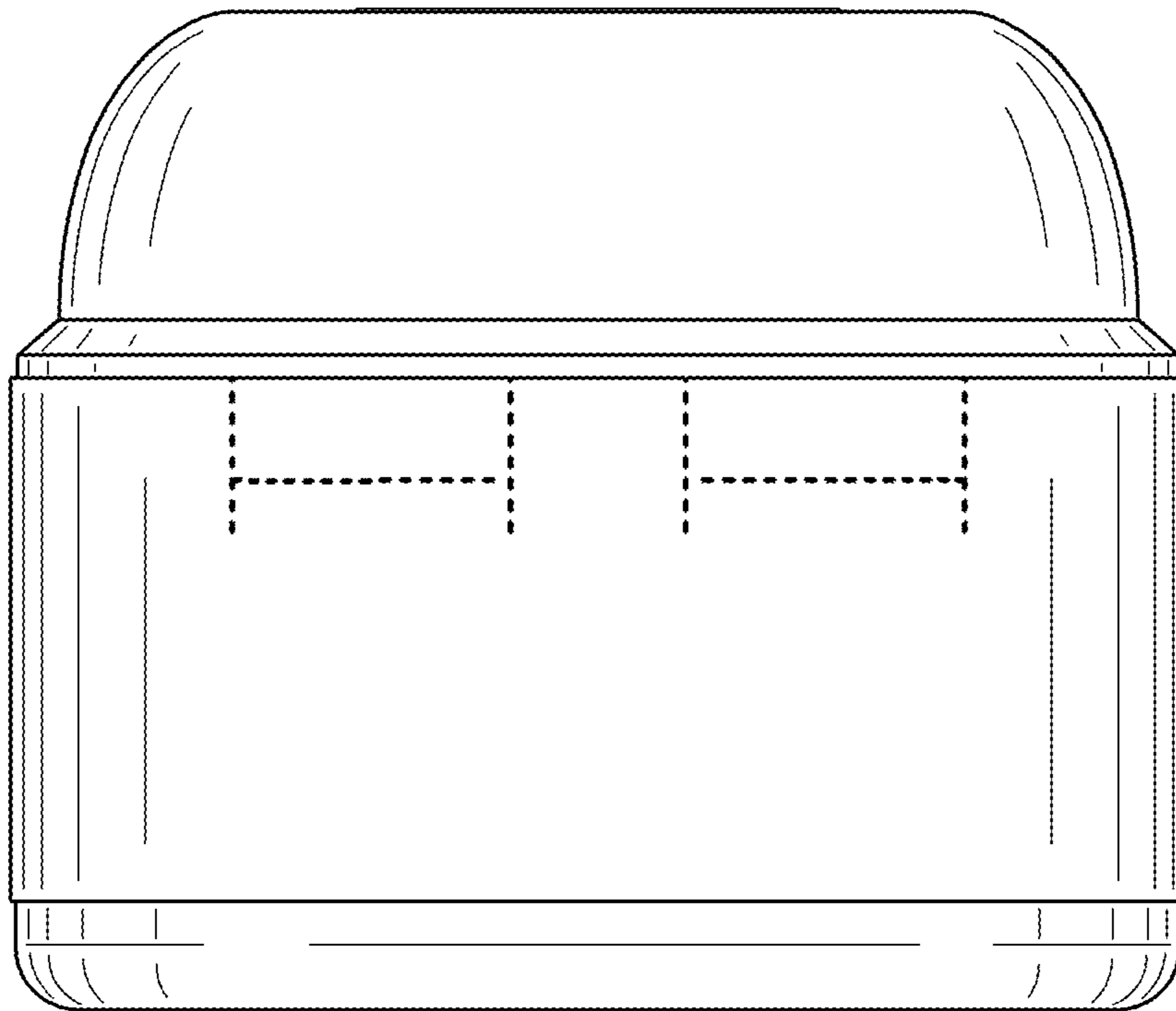


FIG. 3

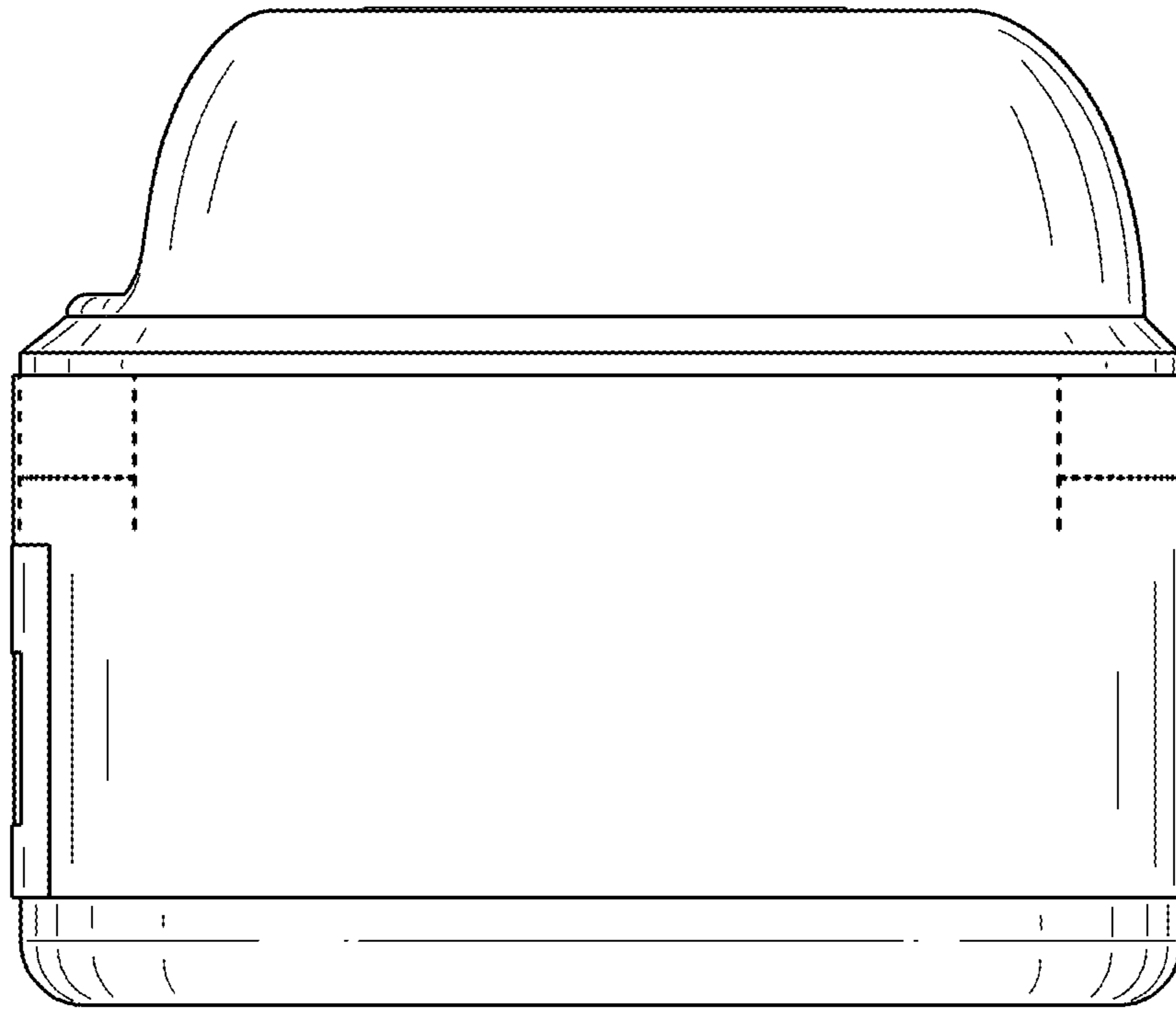


FIG. 4

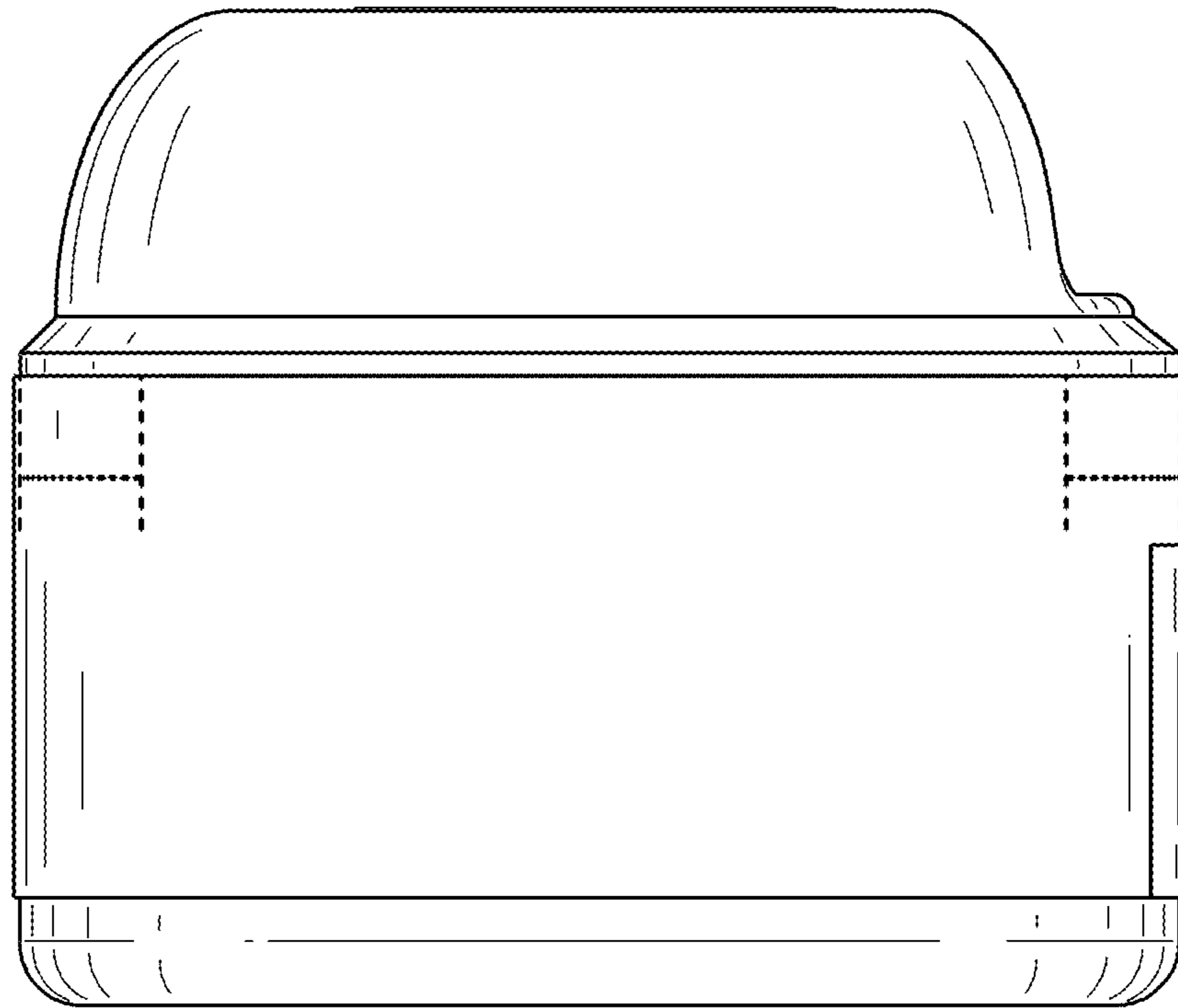


FIG. 5

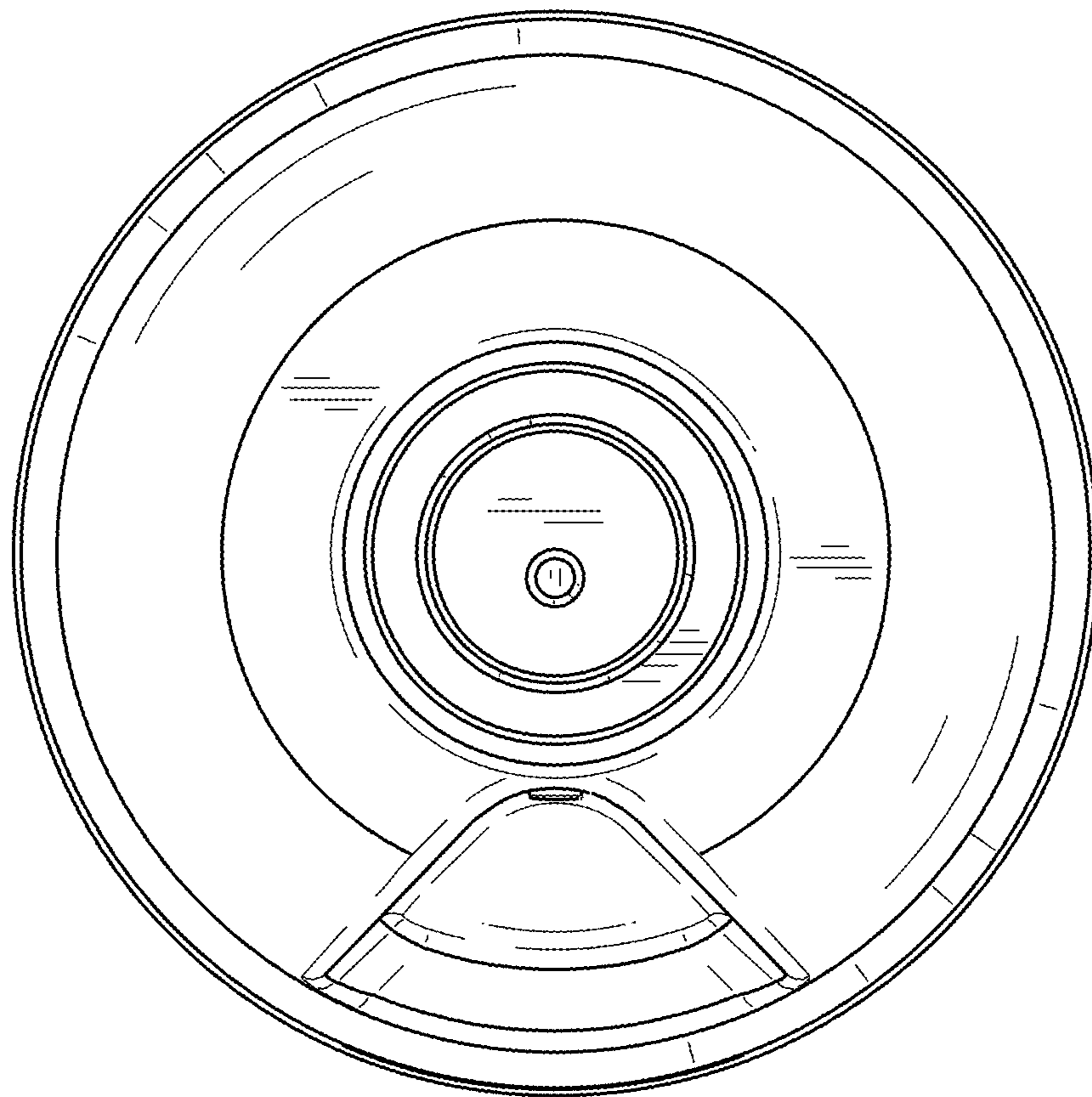


FIG. 6

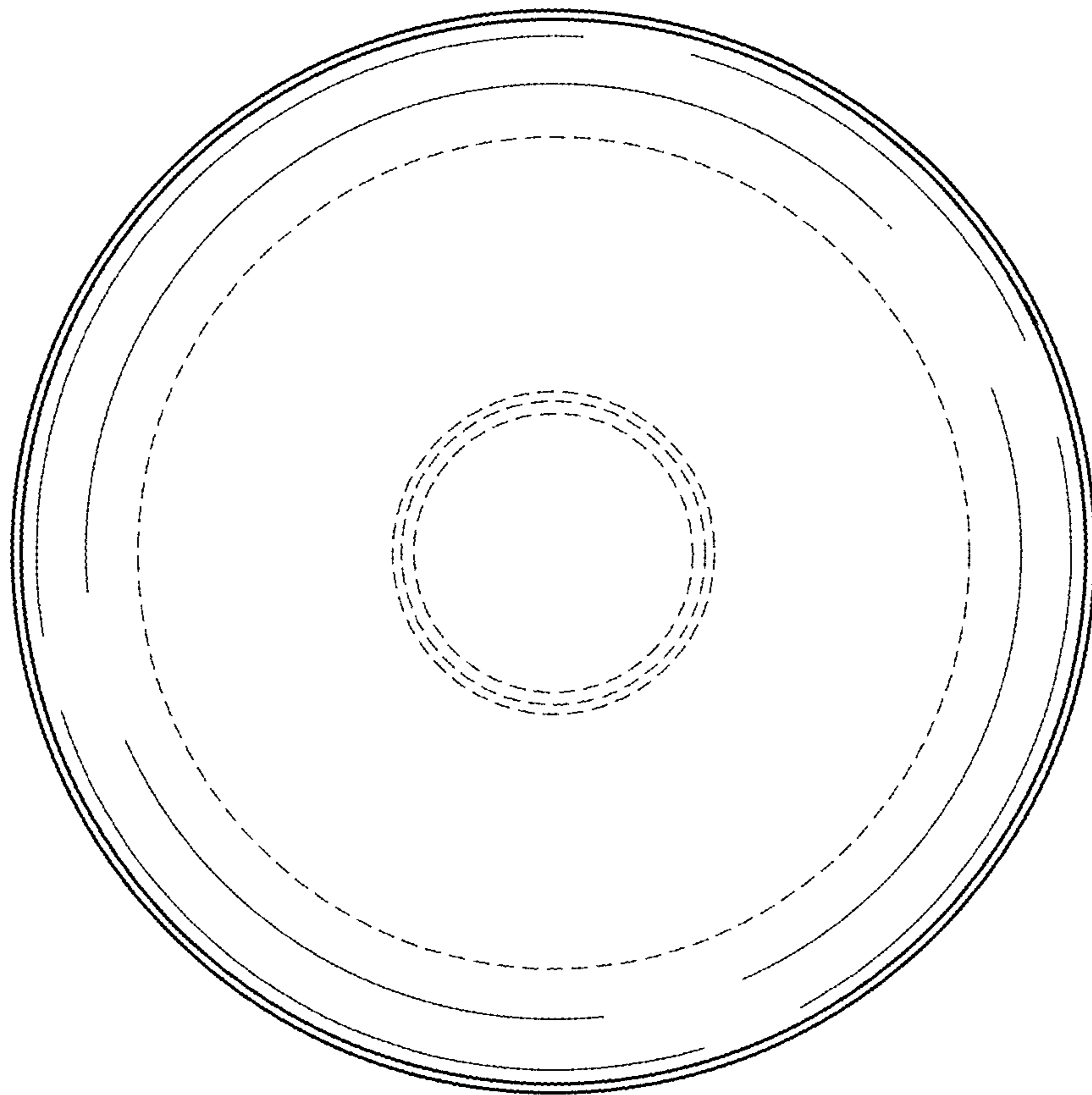


FIG. 7