



US00D874216S

(12) **United States Design Patent**
Henkel

(10) **Patent No.:** **US D874,216 S**

(45) **Date of Patent:** **** Feb. 4, 2020**

(54) **LID FOR A BOTTLE**

(71) Applicant: **MiiR Holdings, LLC**, Seattle, WA
(US)

(72) Inventor: **Geoff Henkel**, Seattle, WA (US)

(73) Assignee: **MIIR HOLDINGS, LLC**, Seattle, WA
(US)

(**) Term: **15 Years**

(21) Appl. No.: **29/650,679**

(22) Filed: **Jun. 8, 2018**

(51) **LOC (12) Cl.** **07-99**

(52) **U.S. Cl.**
USPC **D7/392; D7/392.1**

(58) **Field of Classification Search**
USPC D7/300, 300.2, 301, 392, 392.1, 424,
D7/430, 435, 443, 447, 449, 453, 454,
D7/510, 511, 538, 540, 542, 543, 544,
D7/545, 629, 635, 780; D23/207;
D27/101
CPC A47G 21/18; A61J 7/0038; B65D
2517/0049

See application file for complete search history.

(56) **References Cited**

U.S. PATENT DOCUMENTS

| | | | | |
|--------------|---------|---------|-------|----------|
| D396,380 S * | 7/1998 | Lai | | D7/392 |
| D623,896 S * | 9/2010 | Wahl | | D7/392.1 |
| D628,486 S * | 12/2010 | Lane | | D7/510 |
| D632,522 S * | 2/2011 | Wahl | | D7/392.1 |
| D675,100 S * | 1/2013 | Herbst | | D7/511 |
| D708,954 S * | 7/2014 | Barnes | | D7/511 |
| D722,476 S * | 2/2015 | Kilduff | | D7/615 |
| D758,793 S * | 6/2016 | Ho | | D7/392.1 |
| D760,586 S * | 7/2016 | Seiders | | D7/392.1 |
| D767,328 S * | 9/2016 | Boroski | | D7/392.1 |

| | | | | |
|--------------|---------|------------|-------|----------|
| D767,337 S * | 9/2016 | Boroski | | D7/510 |
| D780,577 S * | 3/2017 | Seiders | | D7/392.1 |
| D781,145 S * | 3/2017 | Seiders | | D7/392.1 |
| D781,146 S * | 3/2017 | Seiders | | D7/392.1 |
| D783,368 S * | 4/2017 | Seiders | | D7/510 |
| D795,008 S * | 8/2017 | Eyal | | D7/392.1 |
| D795,013 S * | 8/2017 | Shultz | | D7/392.1 |
| D799,320 S * | 10/2017 | Goodwin | | D7/392.1 |
| D805,852 S * | 12/2017 | Seiders | | D7/608 |
| D814,852 S * | 4/2018 | Melanson | | D7/391 |
| D816,398 S * | 5/2018 | Fleischhut | | D7/392.1 |
| D819,396 S * | 6/2018 | Seiders | | D7/392.1 |
| D840,187 S * | 2/2019 | Sams | | D7/392 |
| D841,391 S * | 2/2019 | Pape | | D7/391 |
| D842,027 S * | 3/2019 | Boroski | | D7/392.1 |
| D843,212 S * | 3/2019 | Seiders | | D9/443 |

* cited by examiner

Primary Examiner — Karen S Acker

Assistant Examiner — Steven B Reinholdt, Jr.

(74) *Attorney, Agent, or Firm* — Janeway Patent Law,
PLLC; John M. Janeway

(57) **CLAIM**

The ornamental design for a lid for a bottle, as shown and described.

DESCRIPTION

FIG. 1 is a perspective view of a lid for a bottle, according to the invention.

FIG. 2 is a front, elevation view of the lid for a bottle.

FIG. 3 is a rear, elevation view of the lid for a bottle.

FIG. 4 is a left side, elevation view of the lid for a bottle.

FIG. 5 is a right side, elevation view of the lid for a bottle.

FIG. 6 is a top, plan view of the lid for a bottle; and,

FIG. 7 is a bottom, plan view of the lid for a bottle.

The broken lines in the drawings illustrate portions of the lid for a bottle that form no part of the claimed design.

1 Claim, 3 Drawing Sheets

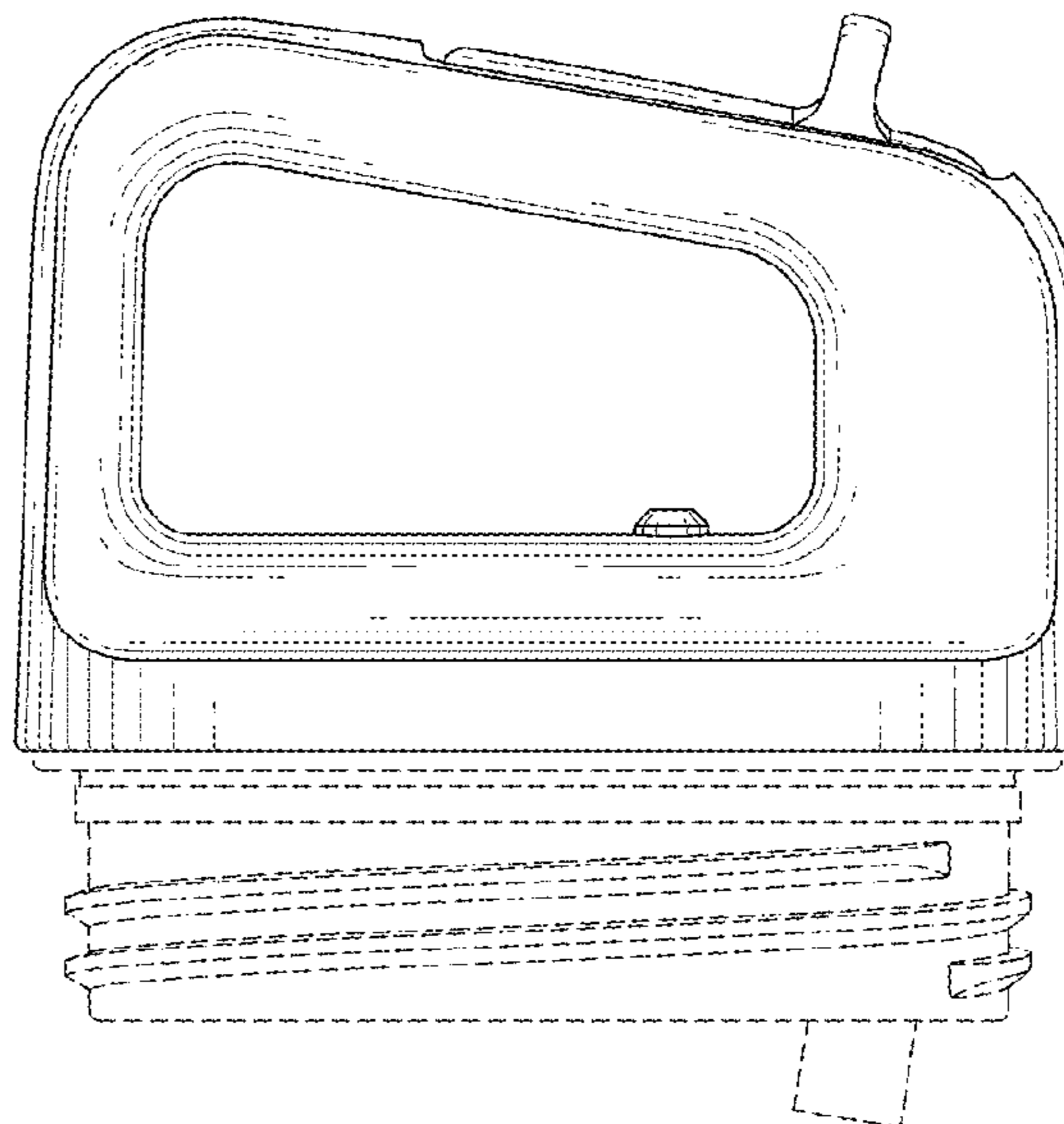
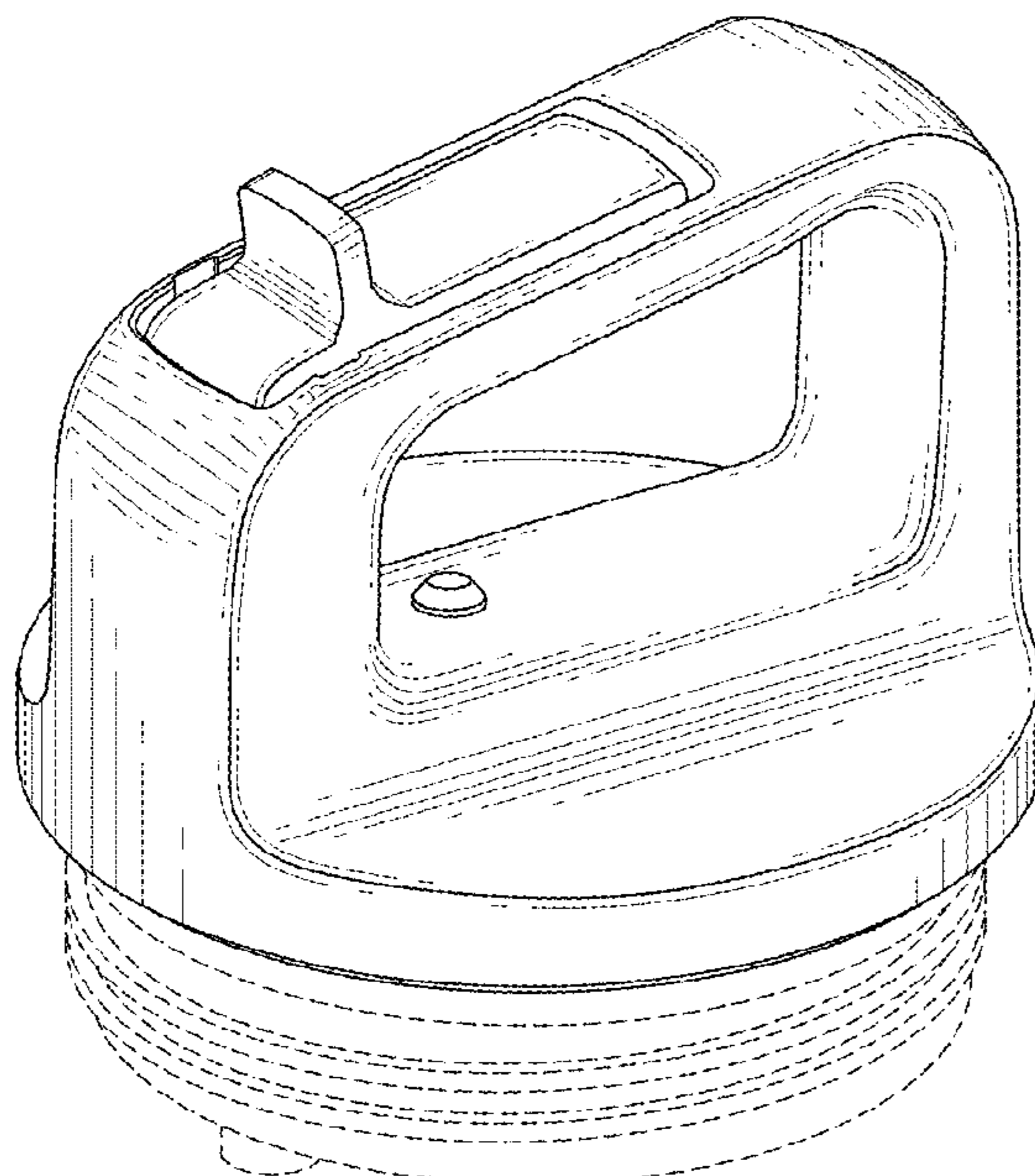


FIG. 1

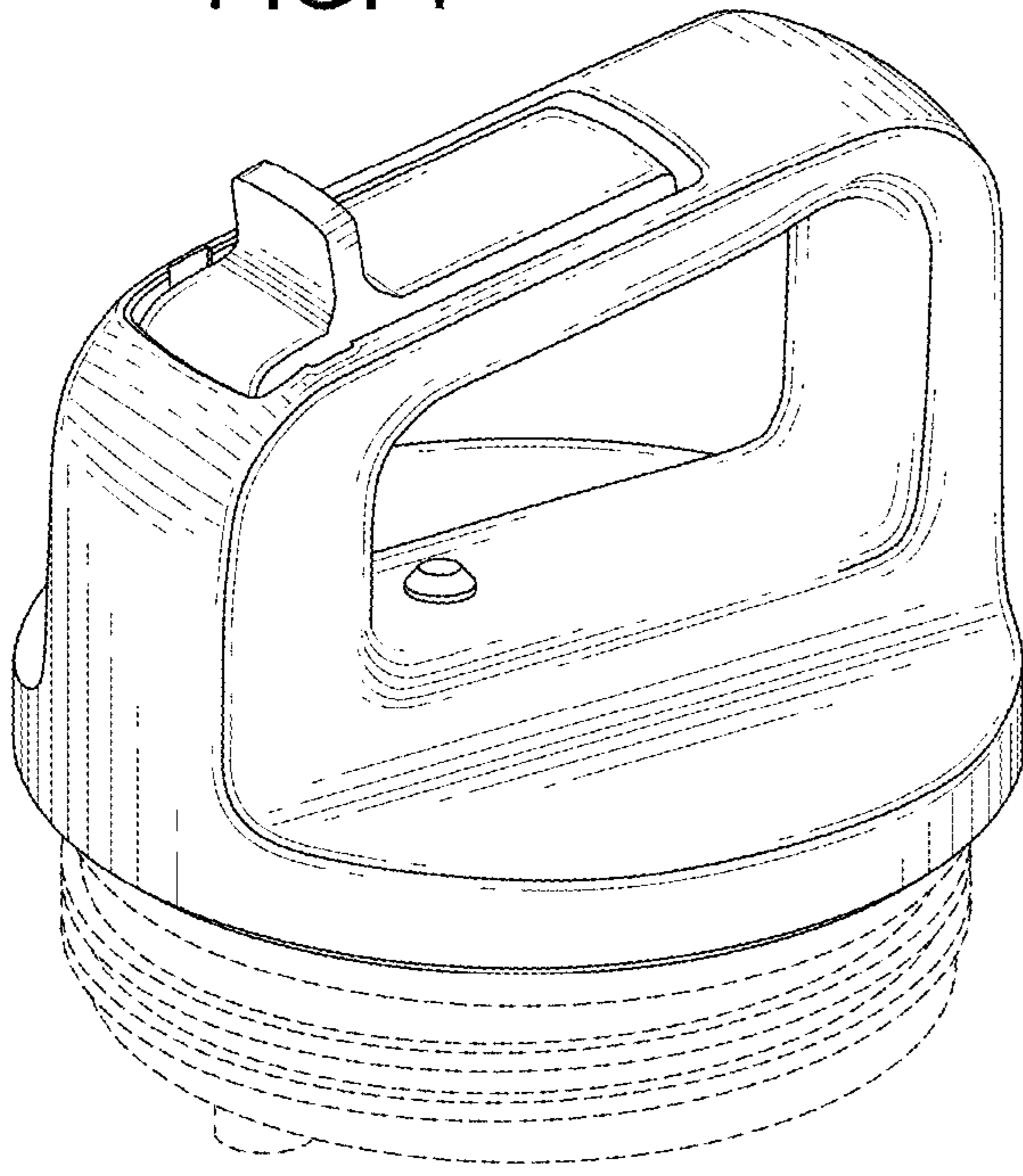


FIG. 2

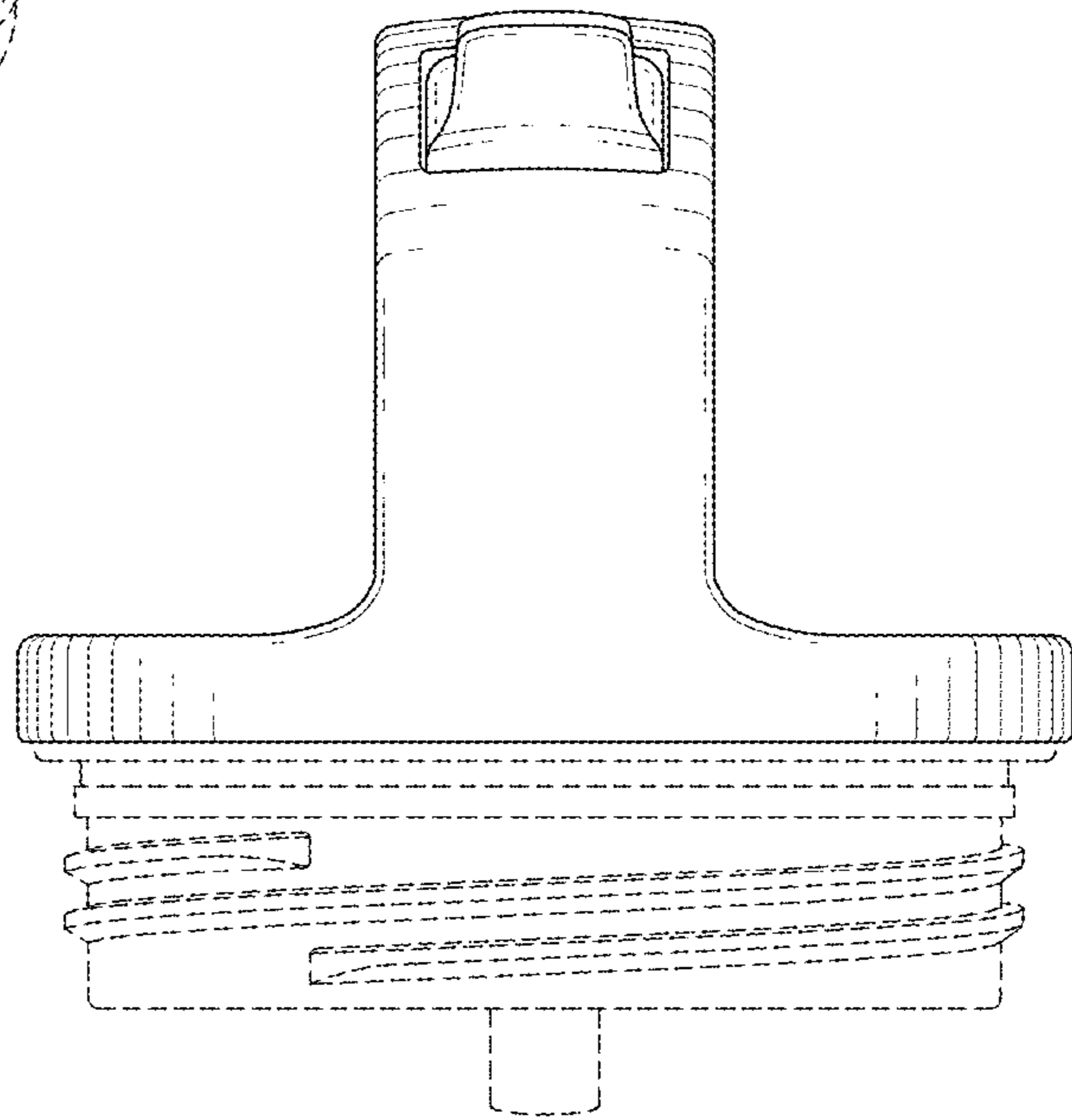


FIG. 3

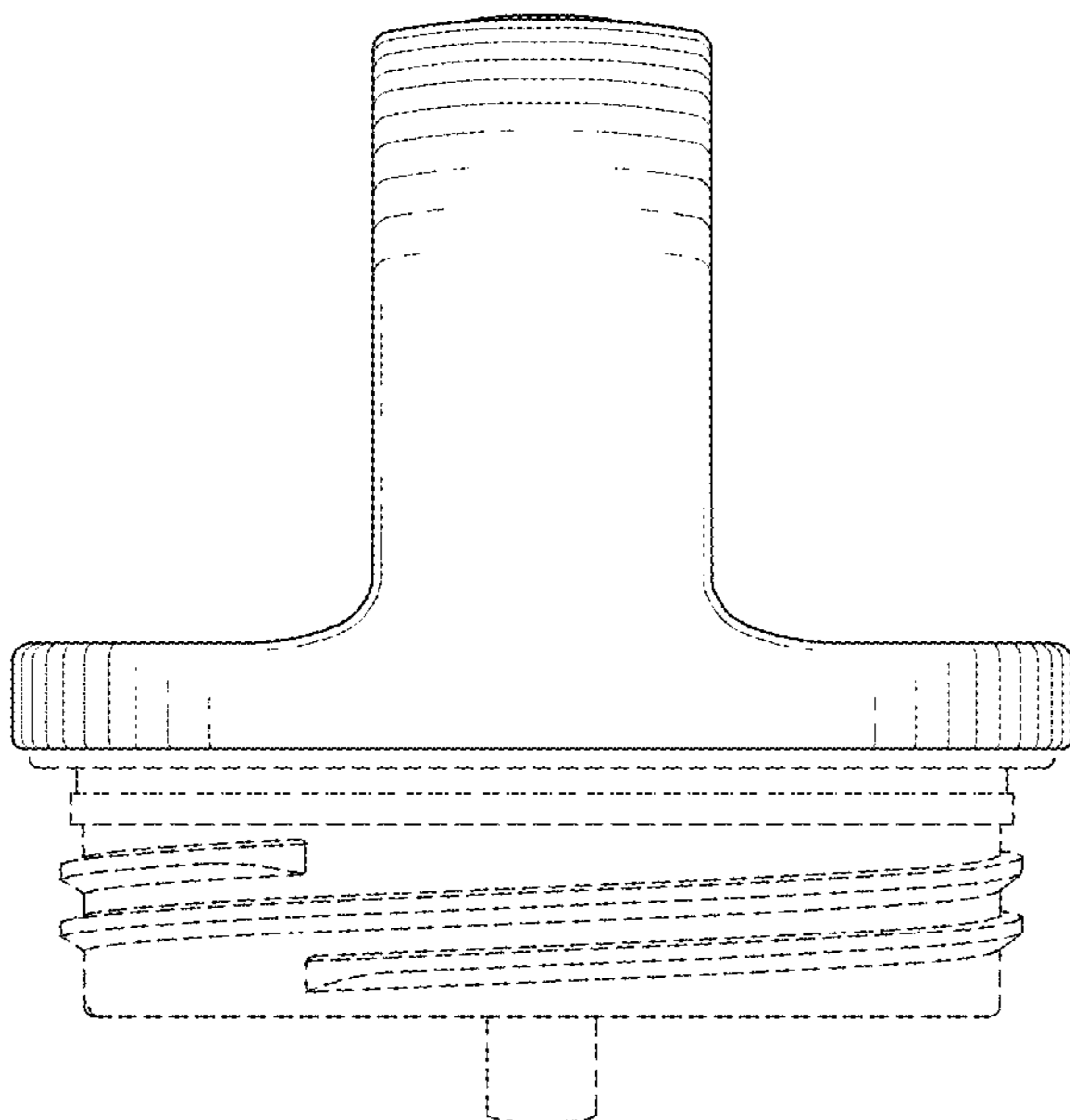


FIG. 4

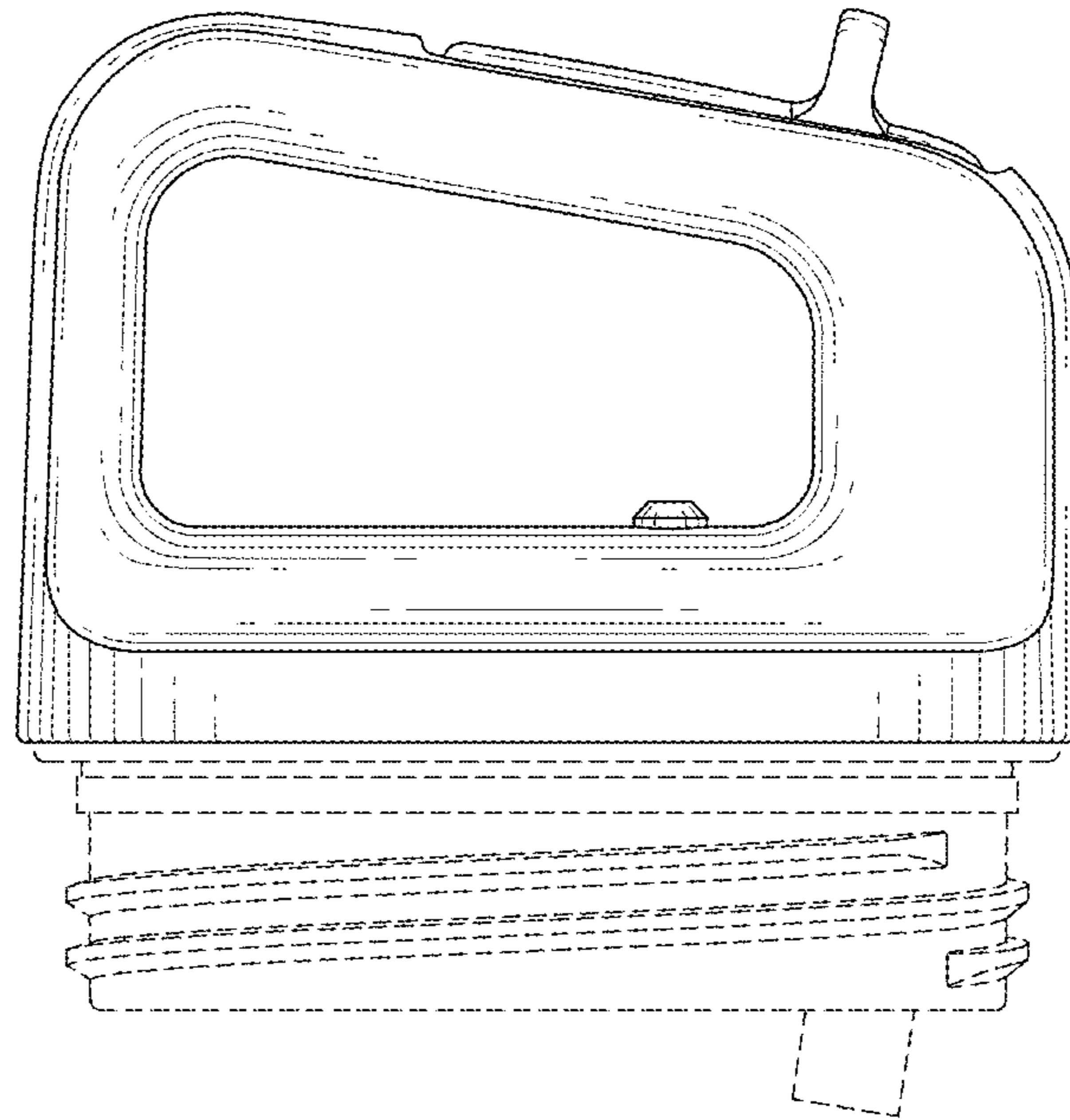


FIG. 5

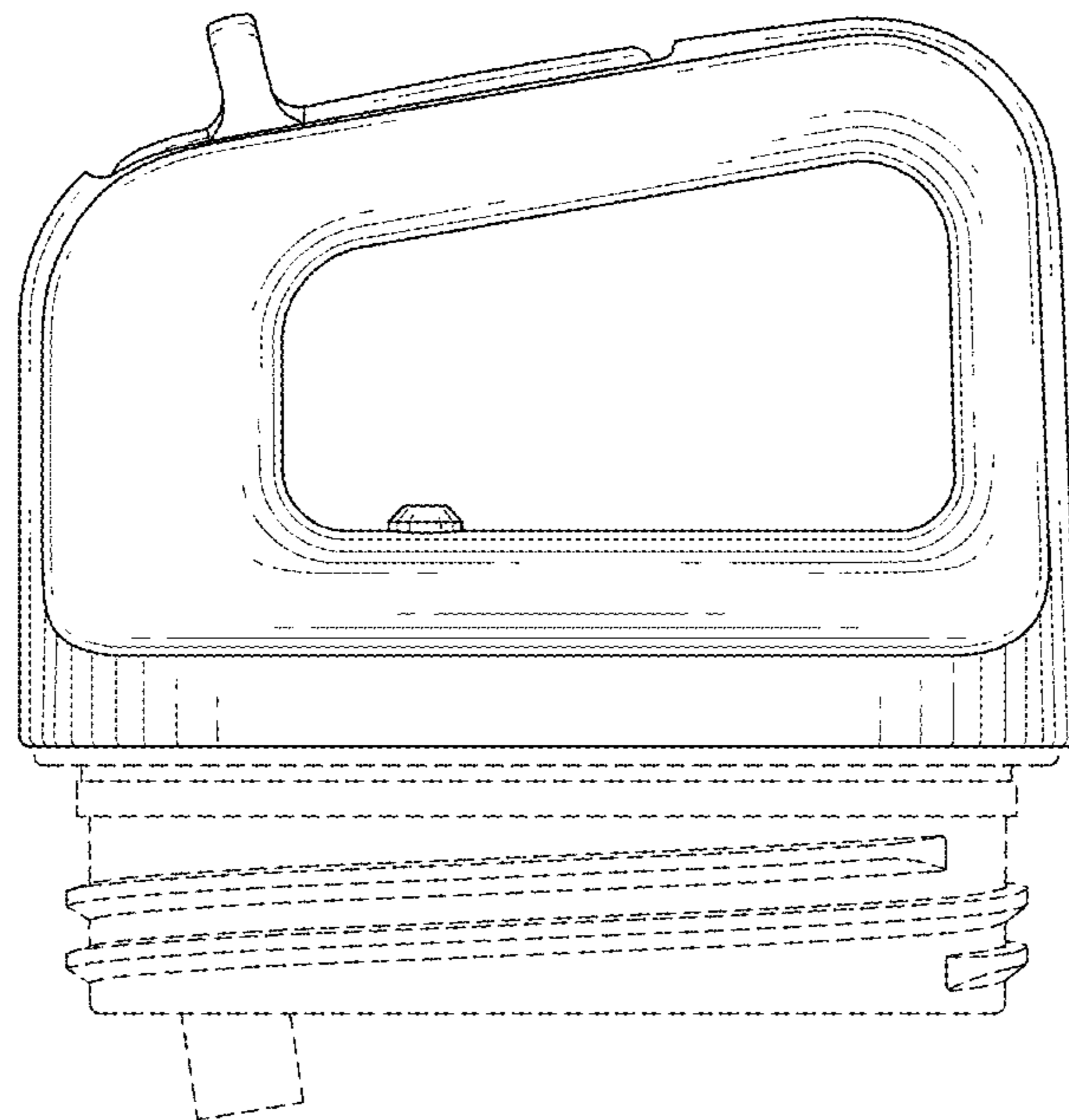


FIG. 6

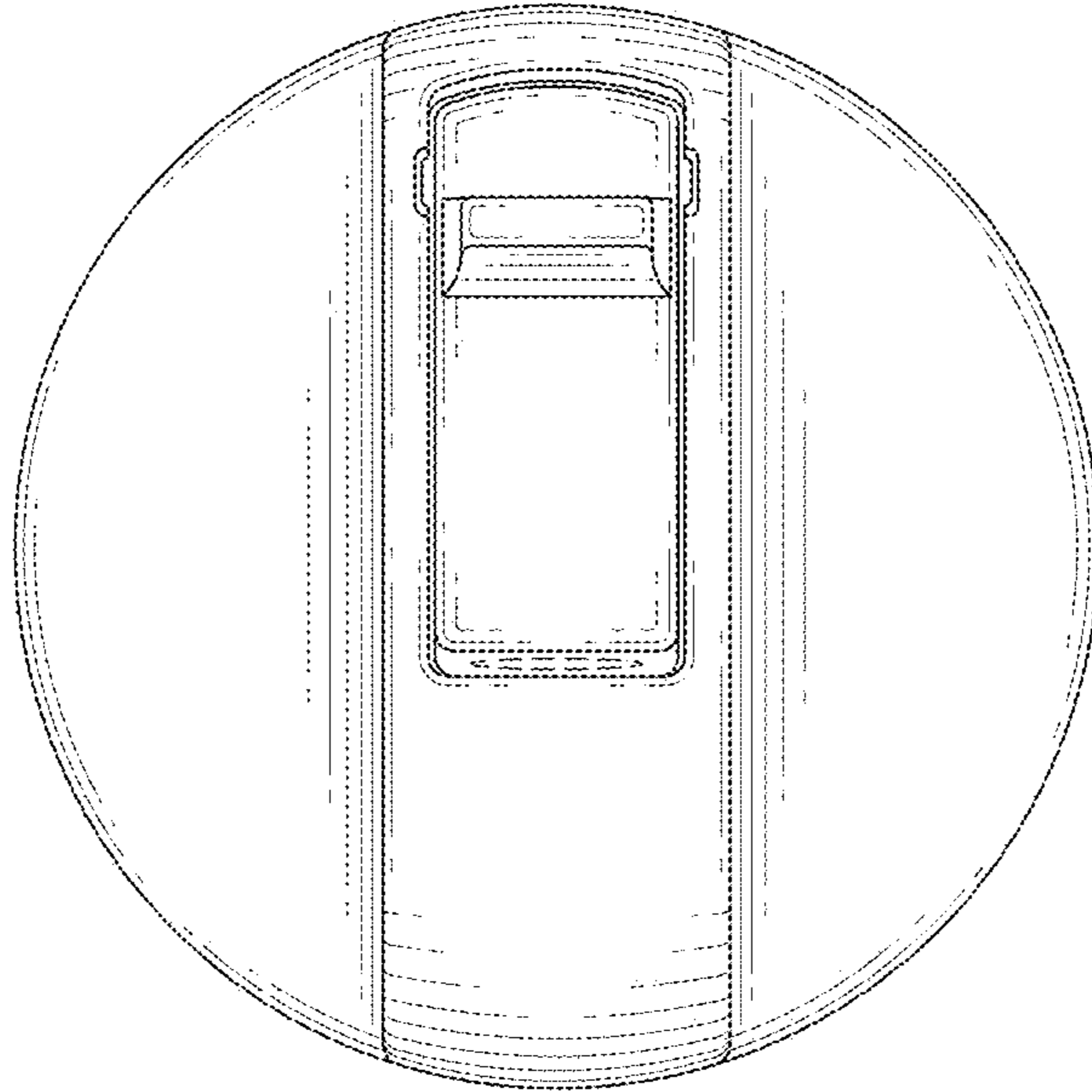


FIG. 7

