



US00D874215S

(12) **United States Design Patent** (10) **Patent No.:** **US D874,215 S**
Hansen et al. (45) **Date of Patent:** **** Feb. 4, 2020**

(54) **LIQUID POURING ATTACHMENT**
(71) Applicant: **Utah Innotech, LLC**, Bountiful, UT (US)
(72) Inventors: **Kate Hansen**, Bountiful, UT (US); **Bryce Hansen**, Bountiful, UT (US); **Jason Klug**, Bountiful, UT (US); **Aaron Nelson**, Bountiful, UT (US); **Ed Packer**, Bountiful, UT (US); **Kent Ogden**, Bountiful, UT (US)
(73) Assignee: **Culinesco, LLC**, Bountiful, UT (US)

7,195,137 B2 * 3/2007 Belcastro A47G 23/0233 220/254.3
D562,623 S * 2/2008 Nybakke D7/387
D586,178 S * 2/2009 Ku D7/392.1
D699,509 S * 2/2014 El-Saden D7/392.1
D713,672 S * 9/2014 Ho D7/392.1
D750,426 S * 3/2016 Bann D7/392
D756,702 S * 5/2016 Joseph D7/392.1
D758,793 S * 6/2016 Ho D7/392.1
D762,085 S * 7/2016 McDonald D7/392
D762,414 S * 8/2016 McDonald D7/392
D793,154 S * 8/2017 Sorensen D7/392.1
D808,212 S * 1/2018 Deacon D7/392
2012/0225175 A1 * 9/2012 Lown A47J 31/06 426/435

(**) Term: **15 Years**

(21) Appl. No.: **29/648,257**

(22) Filed: **May 18, 2018**

(51) **LOC (12) Cl.** **07-01**

(52) **U.S. Cl.**
USPC **D7/392; D7/392.1**

(58) **Field of Classification Search**
USPC D7/397, 317, 392, 392.1, 393; 222/488, 222/254.3
CPC A47J 31/06; A23F 3/18
See application file for complete search history.

(56) **References Cited**

U.S. PATENT DOCUMENTS

D110,140 S * 6/1938 Gamble D7/392
D272,211 S * 1/1984 Rock D8/323
D420,545 S * 2/2000 Huang D7/317
D490,266 S * 5/2004 Imai D7/317
D535,854 S * 1/2007 Schreitmueller D7/316

* cited by examiner

Primary Examiner — Marianne N Pandozzi

(74) *Attorney, Agent, or Firm* — Thorpe North & Western, LLP

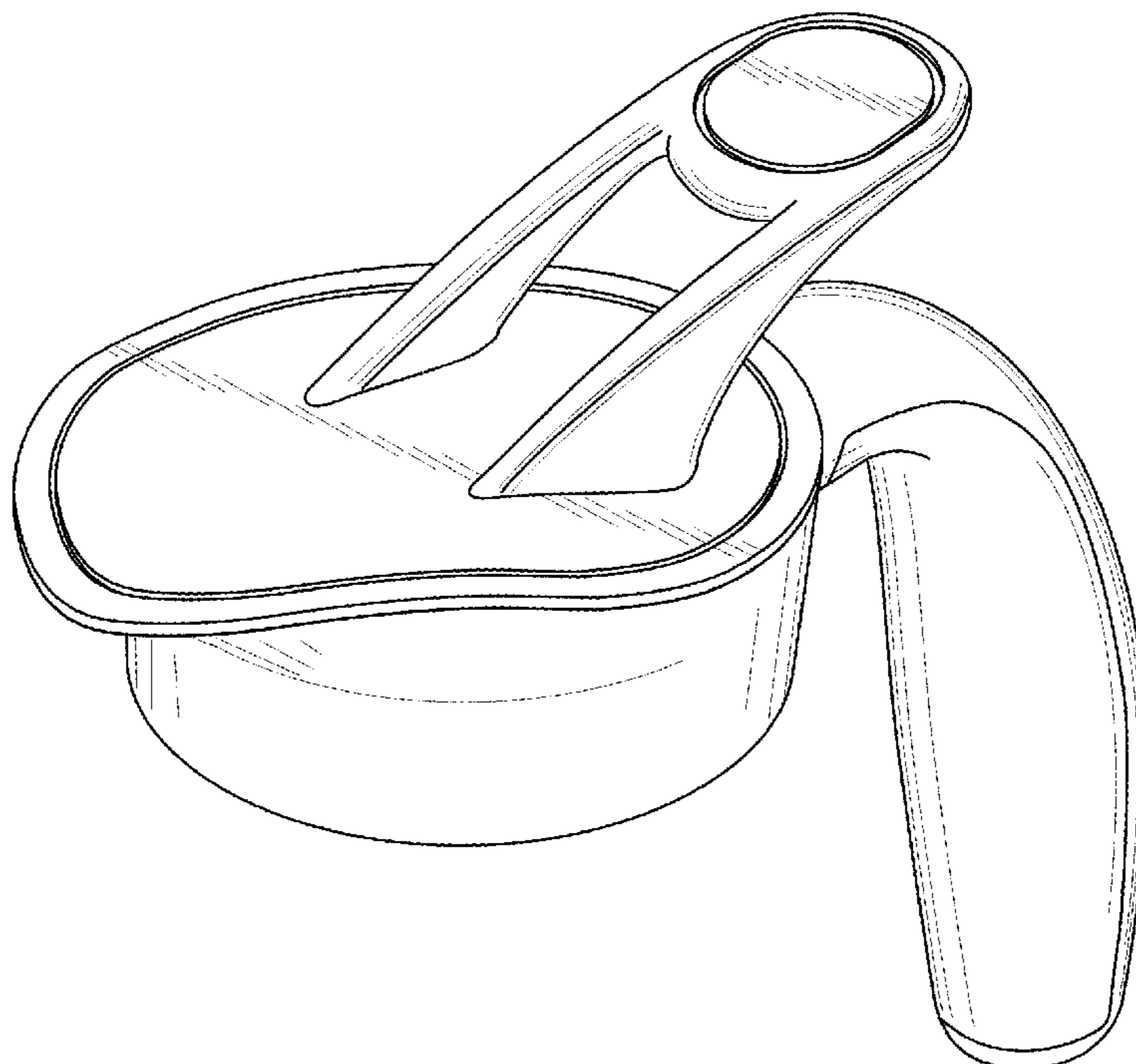
(57) **CLAIM**

The ornamental design for a liquid pouring attachment, as shown and described.

DESCRIPTION

FIG. 1 is a top right perspective view of a liquid pouring attachment in accordance with my invention;
FIG. 2 is a right view thereof;
FIG. 3 is a left view thereof;
FIG. 4 is a front view thereof;
FIG. 5 is a back view thereof;
FIG. 6 is a top view thereof; and,
FIG. 7 is a bottom view thereof.
The broken lines in the drawing depict portions of the liquid pouring attachment that form no part of the claimed design.

1 Claim, 5 Drawing Sheets



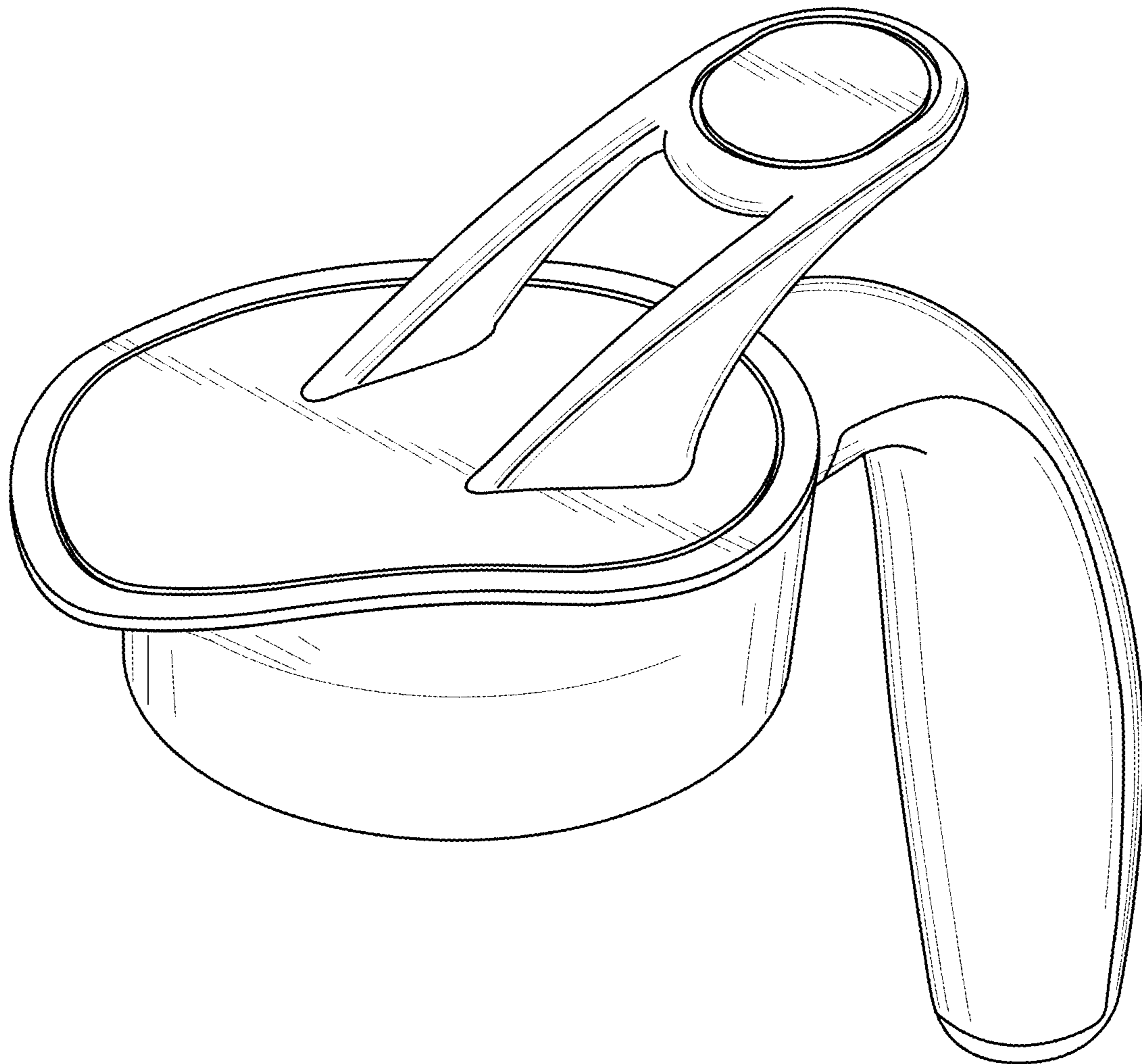


FIG. 1

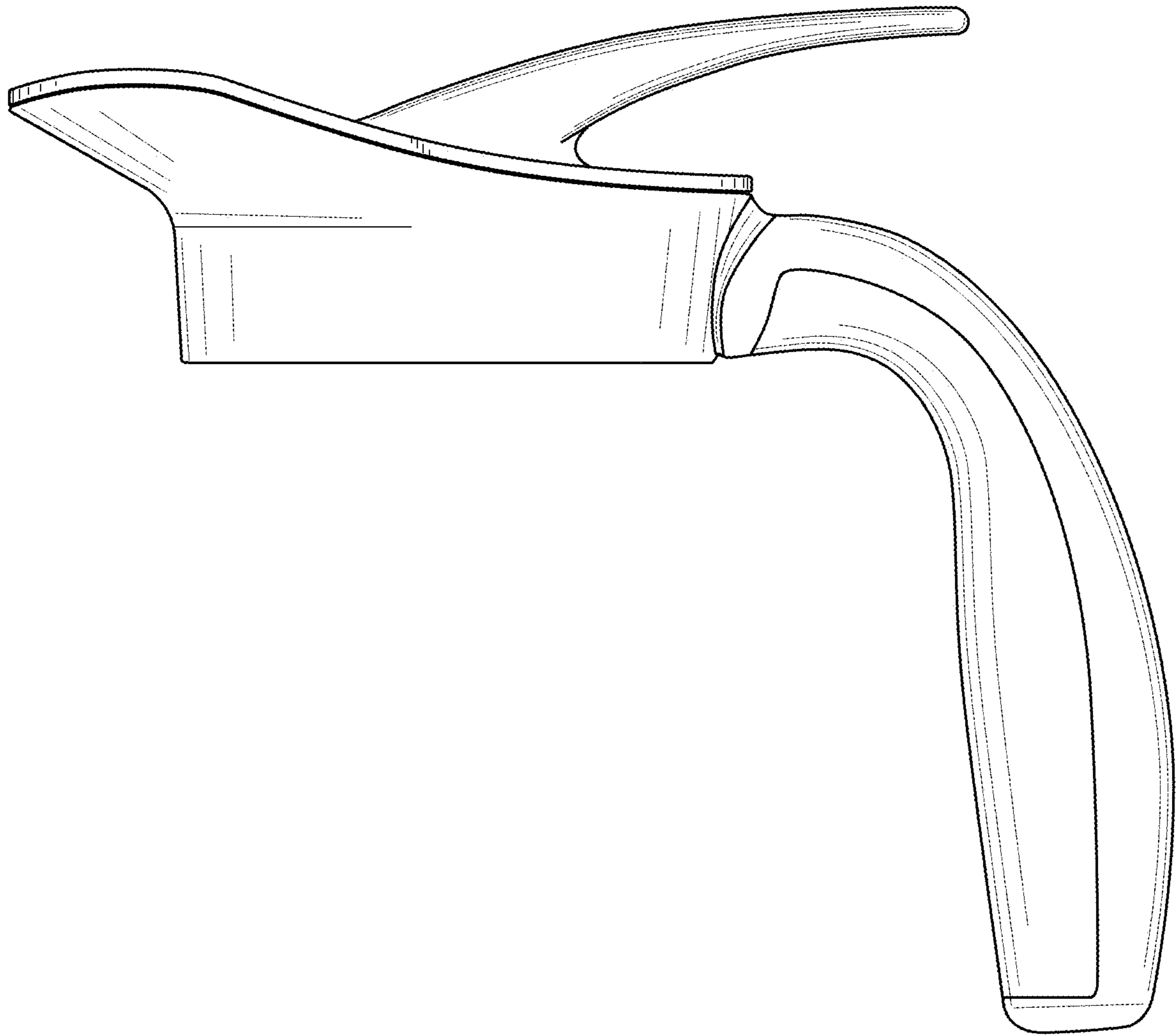


FIG. 2

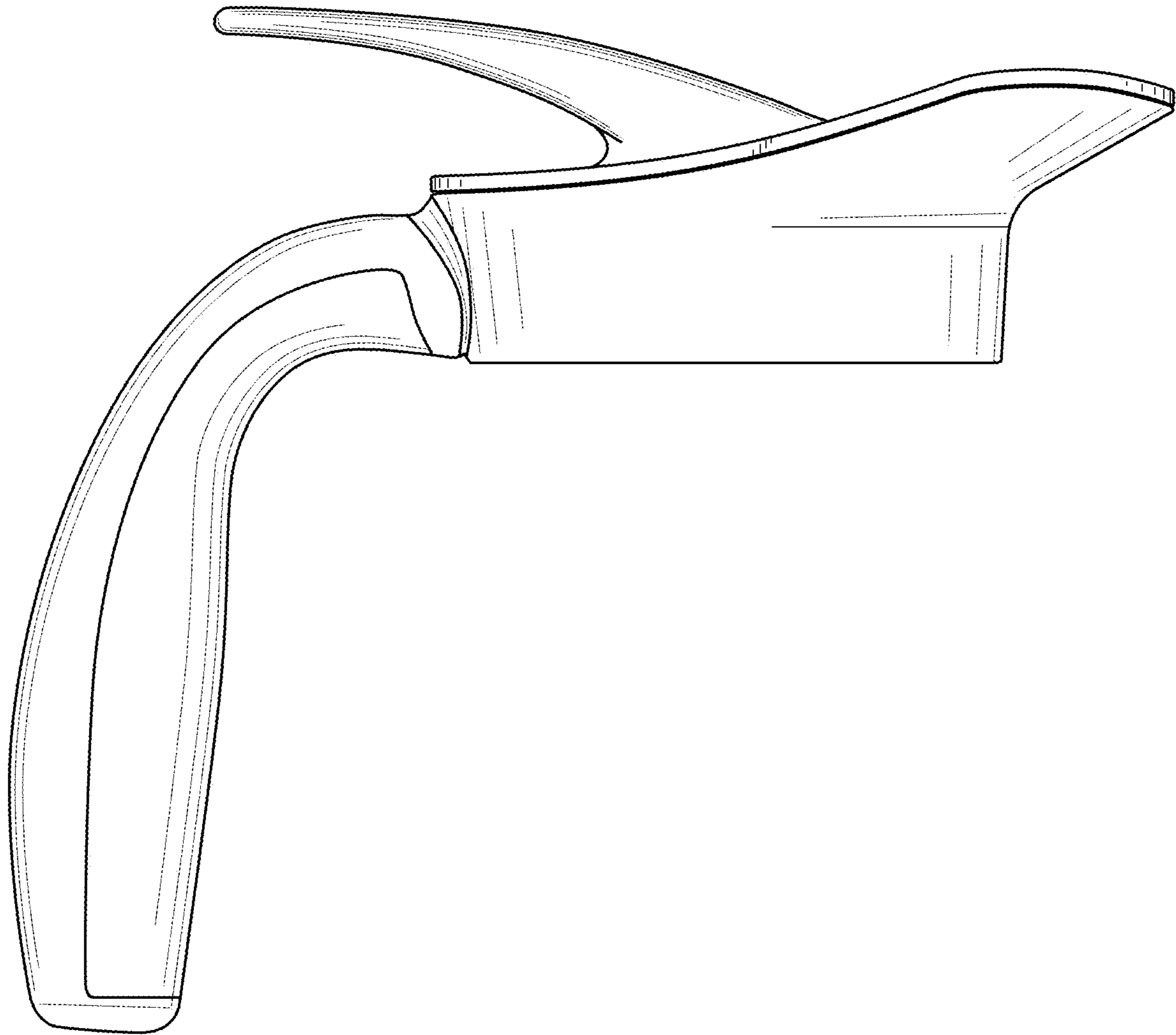


FIG. 3

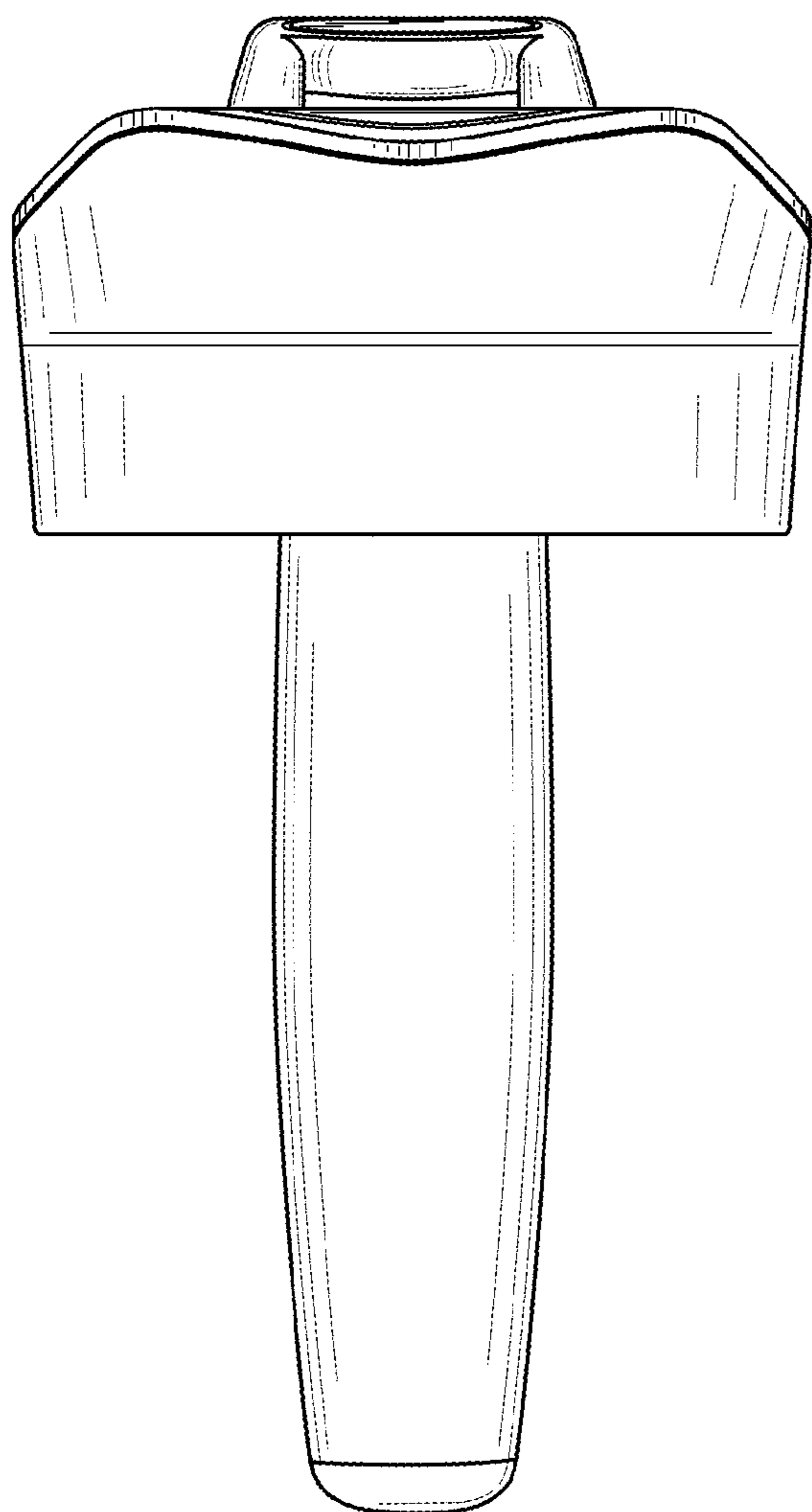


FIG. 4

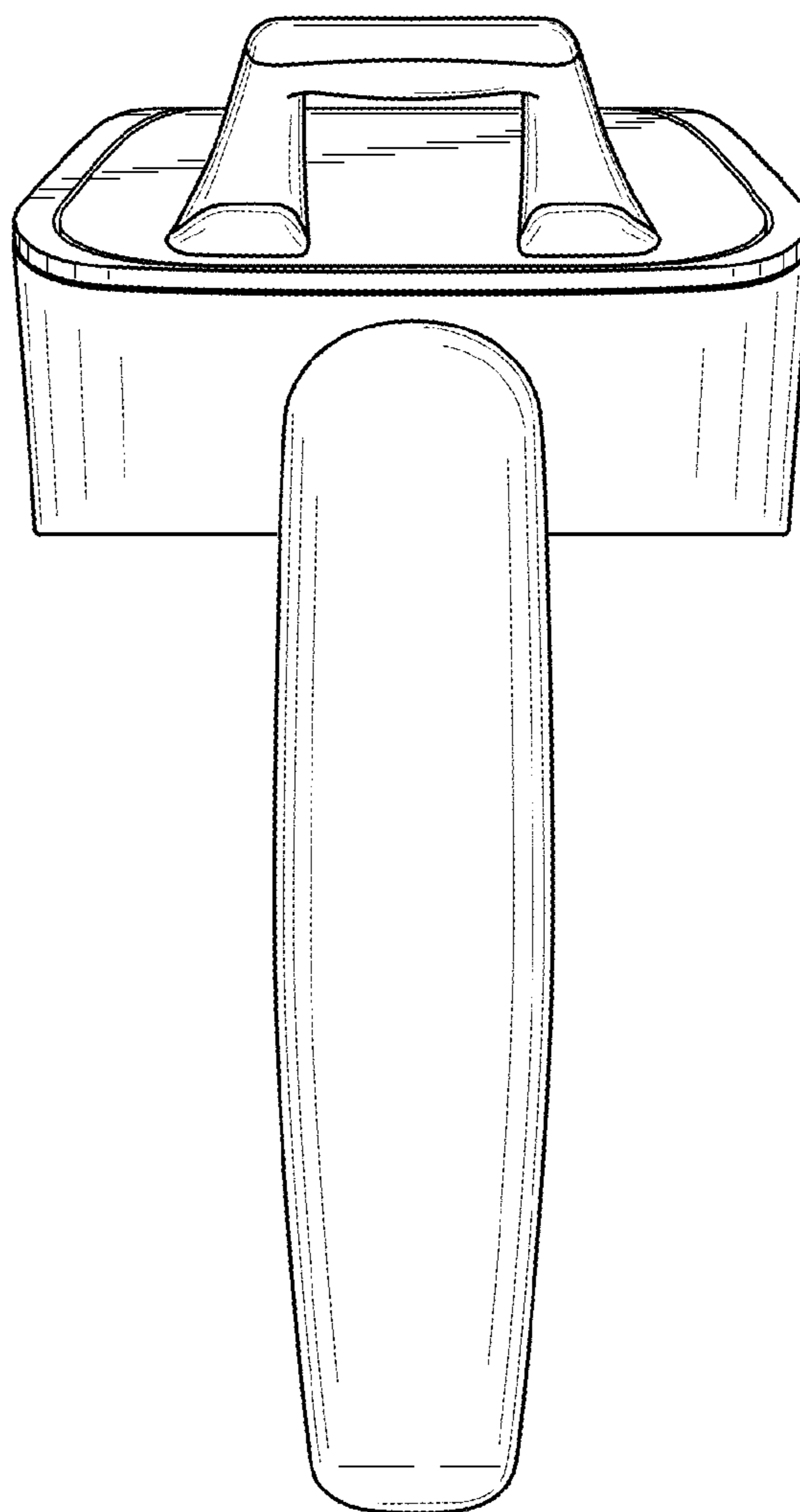


FIG. 5

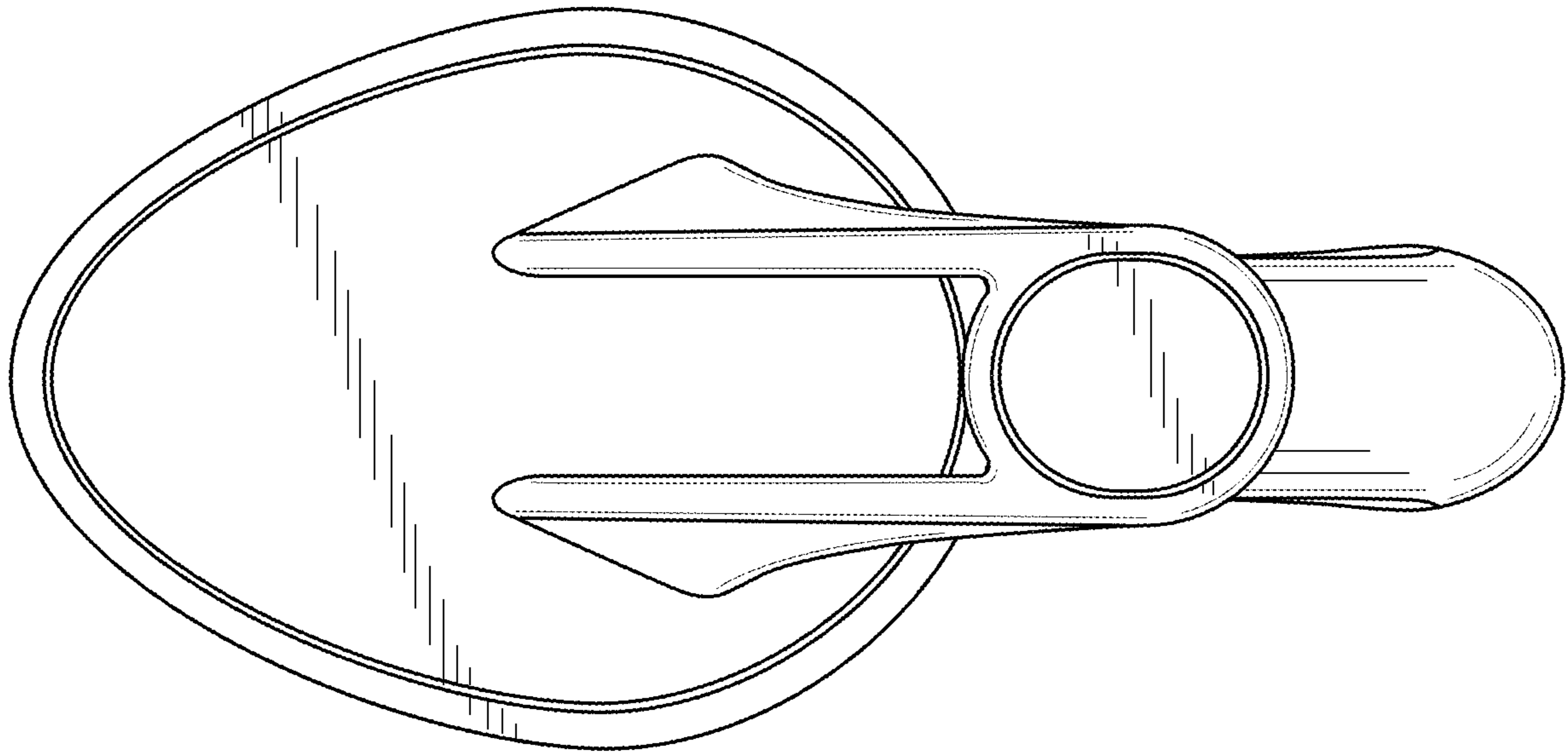


FIG. 6

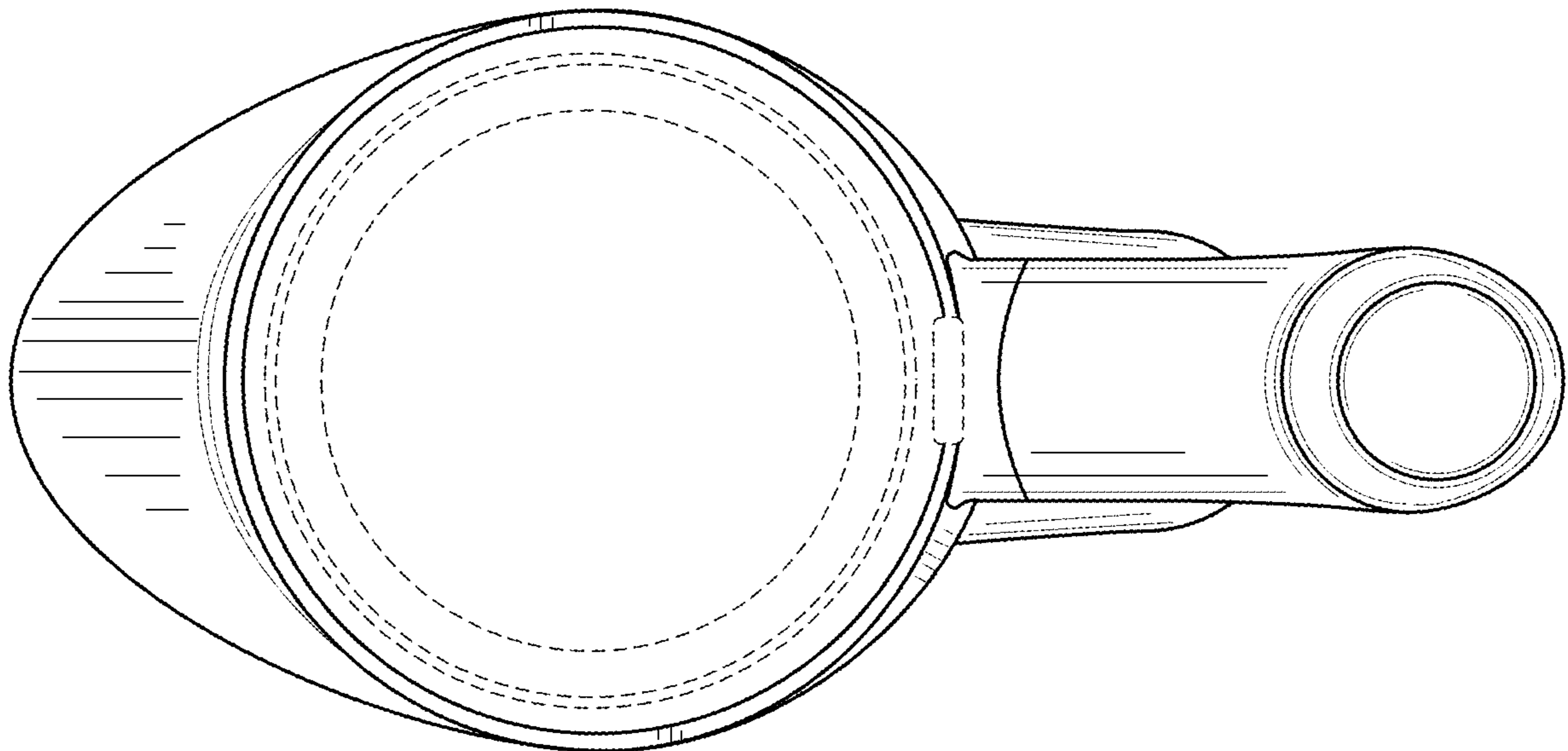


FIG. 7