



US00D874213S

(12) **United States Design Patent** (10) **Patent No.:** **US D874,213 S**  
**Gabbay** (45) **Date of Patent:** **\*\* Feb. 4, 2020**

(54) **FOLDABLE HEATING TRAY**  
(71) Applicant: **ROLLA R.W.T LTD.**, Jerusalem (IL)  
(72) Inventor: **Raphael Gabbay**, Jerusalem (IL)  
(73) Assignee: **ROLLA R.W.T LTD.**, Jerusalem (IL)  
(\*\*) Term: **15 Years**  
(21) Appl. No.: **29/593,416**  
(22) Filed: **Feb. 8, 2017**  
(51) **LOC (12) Cl.** ..... **07-02**  
(52) **U.S. Cl.**  
USPC ..... **D7/364**  
(58) **Field of Classification Search**  
USPC ..... D7/323, 337, 346, 359, 352, 354, 357,  
D7/362, 363, 364, 367; D9/432, 737,  
D9/759; 219/450.1; 99/422, 375, 397;  
28/82  
CPC ..... A21B 1/50; A47J 37/0611  
See application file for complete search history.

(56) **References Cited**  
U.S. PATENT DOCUMENTS  
D175,547 S \* 9/1955 Josephson ..... D7/352  
D177,637 S \* 5/1956 Moore ..... D7/352  
D240,993 S \* 8/1976 Levin ..... D7/352  
4,176,593 A \* 12/1979 Terzian ..... A47J 37/105  
126/390.1  
D276,971 S \* 1/1985 Potts ..... D7/352  
D292,878 S \* 11/1987 Commisso ..... D9/426  
D317,864 S \* 7/1991 Turk ..... D9/424  
D330,482 S \* 10/1992 Demirjian ..... D7/337  
D335,240 S \* 5/1993 Critchfield ..... D7/364  
D353,968 S \* 1/1995 Cock ..... D7/352  
D366,390 S \* 1/1996 Vitantonio ..... D7/363  
D375,223 S \* 11/1996 Parnell ..... D7/337  
D385,781 S \* 11/1997 Levine ..... D9/423  
D390,062 S \* 2/1998 Bohannon ..... D7/359  
D441,250 S \* 5/2001 Choi ..... D7/362

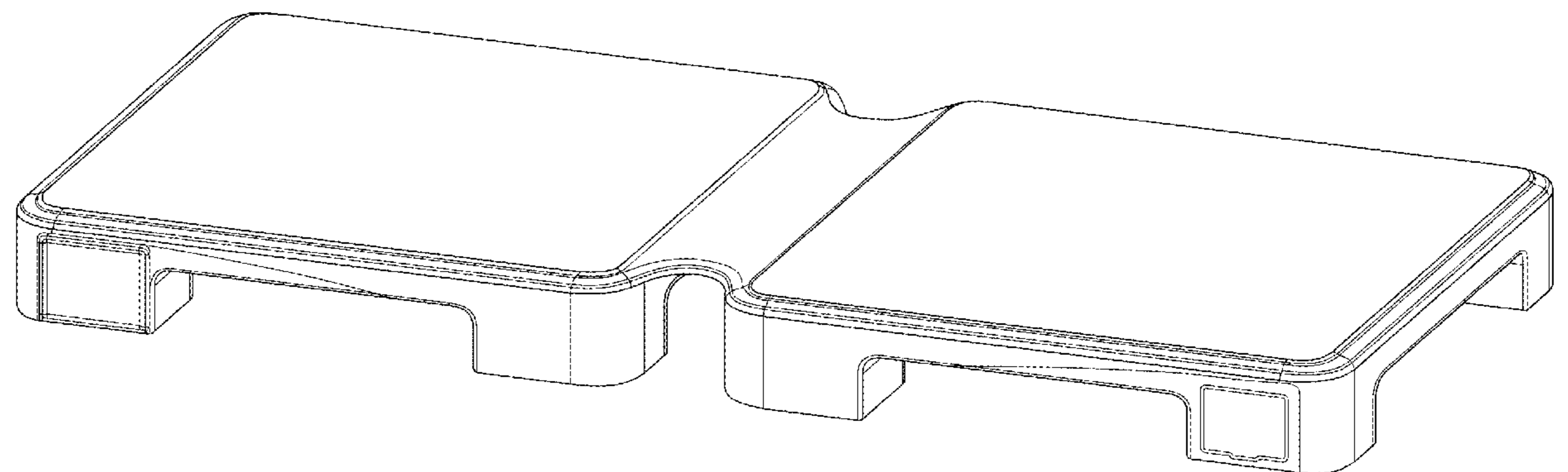
D446,992 S \* 8/2001 Cheah ..... D7/352  
D452,630 S \* 1/2002 Choi ..... D7/362  
D458,078 S \* 6/2002 Lin ..... D7/362  
D466,361 S \* 12/2002 Wanat ..... D7/352  
D475,237 S \* 6/2003 Lin ..... D7/352  
D500,629 S \* 1/2005 Huggler ..... D7/352  
D502,630 S \* 3/2005 Lubowicki ..... D7/352  
D525,879 S \* 8/2006 Ueda ..... D9/732  
D541,103 S \* 4/2007 Rapaz ..... D7/354  
D564,826 S \* 3/2008 Chin ..... D7/352  
D592,045 S \* 5/2009 Banakar ..... D9/425  
D597,784 S \* 8/2009 Yeung ..... D7/352  
RE41,054 E \* 12/2009 Nakagawa ..... D3/263  
D621,203 S \* 8/2010 Huang ..... D7/352  
(Continued)

*Primary Examiner* — Sandra S Snapp  
*Assistant Examiner* — Mehri F Bajoul  
(74) *Attorney, Agent, or Firm* — Gearhart Law, LLC

(57) **CLAIM**  
The ornamental design for a foldable heating tray, as shown and described.

**DESCRIPTION**  
FIG. 1 is a top view of a foldable heating tray;  
FIG. 2 is a bottom view thereof;  
FIG. 3 is a front view thereof;  
FIG. 4 is a right side view thereof;  
FIG. 5 is a rear view thereof;  
FIG. 6 is a left side view thereof;  
FIG. 7 is a perspective view of the top, front, and right side thereof;  
FIG. 8 is a perspective view of FIG. 7 in a folded configuration; and,  
FIG. 9 is a perspective view of FIG. 7 in a folded rear configuration.  
The broken lines in FIGS. 2 to 9 are included for the purpose of illustrating a portion of the foldable heating tray that forms no part of the claimed invention.

**1 Claim, 9 Drawing Sheets**



(56)

References Cited

U.S. PATENT DOCUMENTS

D632,126 S *	2/2011	Tetreault	.....	D7/352	D745,802 S *	12/2015	Yao	.....	D7/352
D643,243 S *	8/2011	Harrod	.....	D7/352	D746,097 S *	12/2015	Davenport	.....	D7/352
D658,429 S *	5/2012	Berge	.....	D7/354	D769,986 S *	10/2016	Timg	.....	D21/500
D658,933 S *	5/2012	Woodard	.....	D7/354	D781,637 S *	3/2017	Mercier	.....	D7/348
D663,994 S *	7/2012	Lee	.....	D7/352	D785,397 S *	5/2017	Sawhney	.....	D7/337
D668,906 S *	10/2012	Lavy	.....	D7/352	D791,406 S *	7/2017	Shteysel	.....	D28/9
D669,303 S *	10/2012	Garman	.....	D7/352	2002/0017516 A1 *	2/2002	McKeen	.....	A47J 36/022
D674,650 S *	1/2013	Day	.....	D7/354					219/450.1
D677,115 S *	3/2013	Yamane	.....	D7/354	2002/0073855 A1 *	6/2002	Gambino	.....	A47J 37/0611
D677,528 S *	3/2013	Kwon	.....	D7/352					99/422
D679,134 S *	4/2013	Valera	.....	D7/352	2003/0101878 A1 *	6/2003	Muldoon	.....	B26B 29/063
D682,689 S *	5/2013	Kalberer	.....	D9/416					99/422
D685,605 S *	7/2013	Xin	.....	D7/352	2005/0229792 A1 *	10/2005	Hedrington	.....	A47J 37/0676
D706,570 S *	6/2014	Coblentz	.....	D7/354					99/422
D706,577 S *	6/2014	Funnell, II	.....	D7/354	2007/0039483 A1 *	2/2007	Kim	.....	A47J 37/0611
D709,727 S *	7/2014	Cloutier	.....	D7/354					99/422
D711,186 S *	8/2014	De'Longhi	.....	D7/352	2009/0214736 A1 *	8/2009	Calzada	.....	A47J 37/0611
D718,977 S *	12/2014	Miller	.....	D7/352					426/510
D734,636 S *	7/2015	Tinius	.....	D7/354	2014/0076301 A1 *	3/2014	Wang	.....	A47J 37/0611
									126/261
					2017/0290101 A1 *	10/2017	Hawkins	.....	H05B 3/68

\* cited by examiner

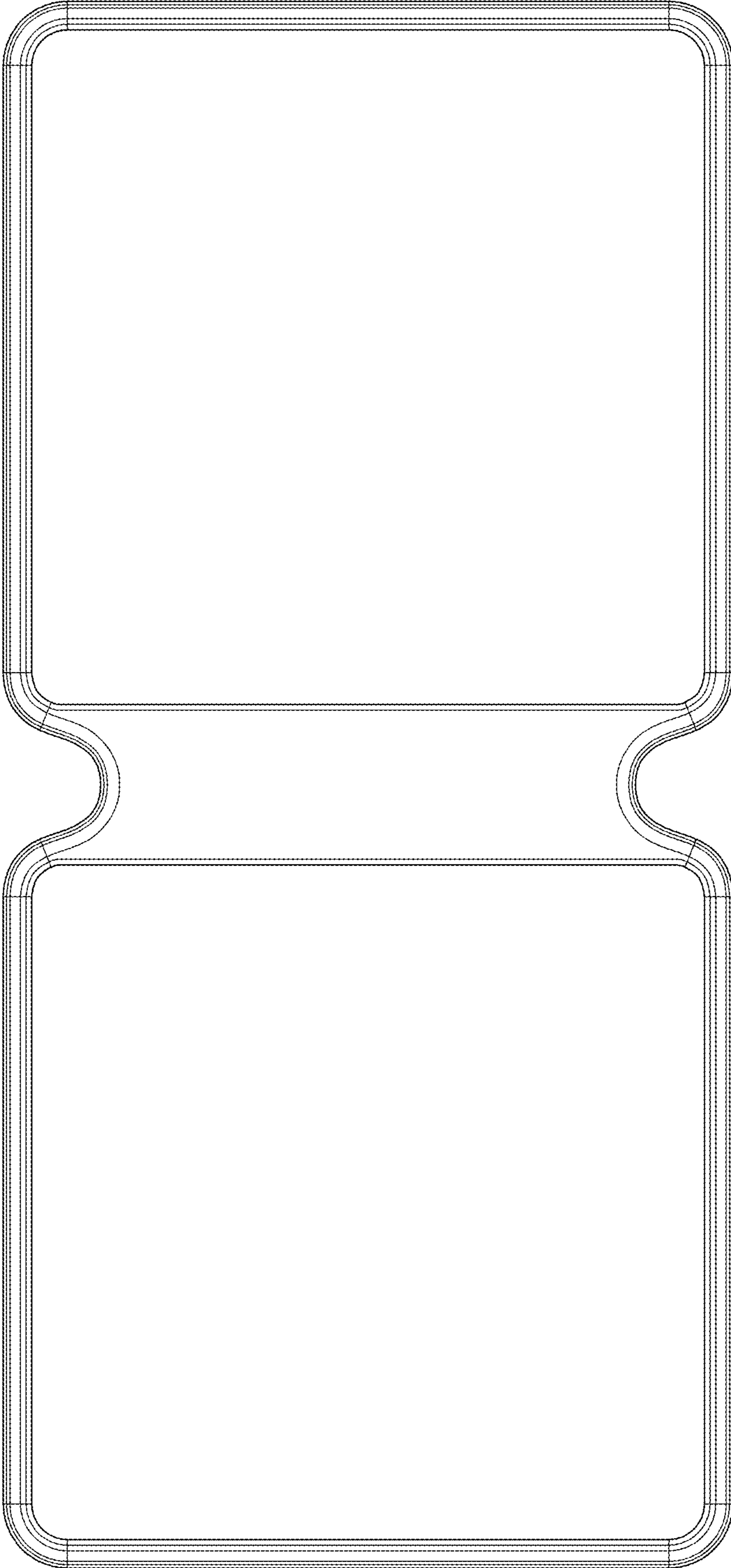


FIG.1

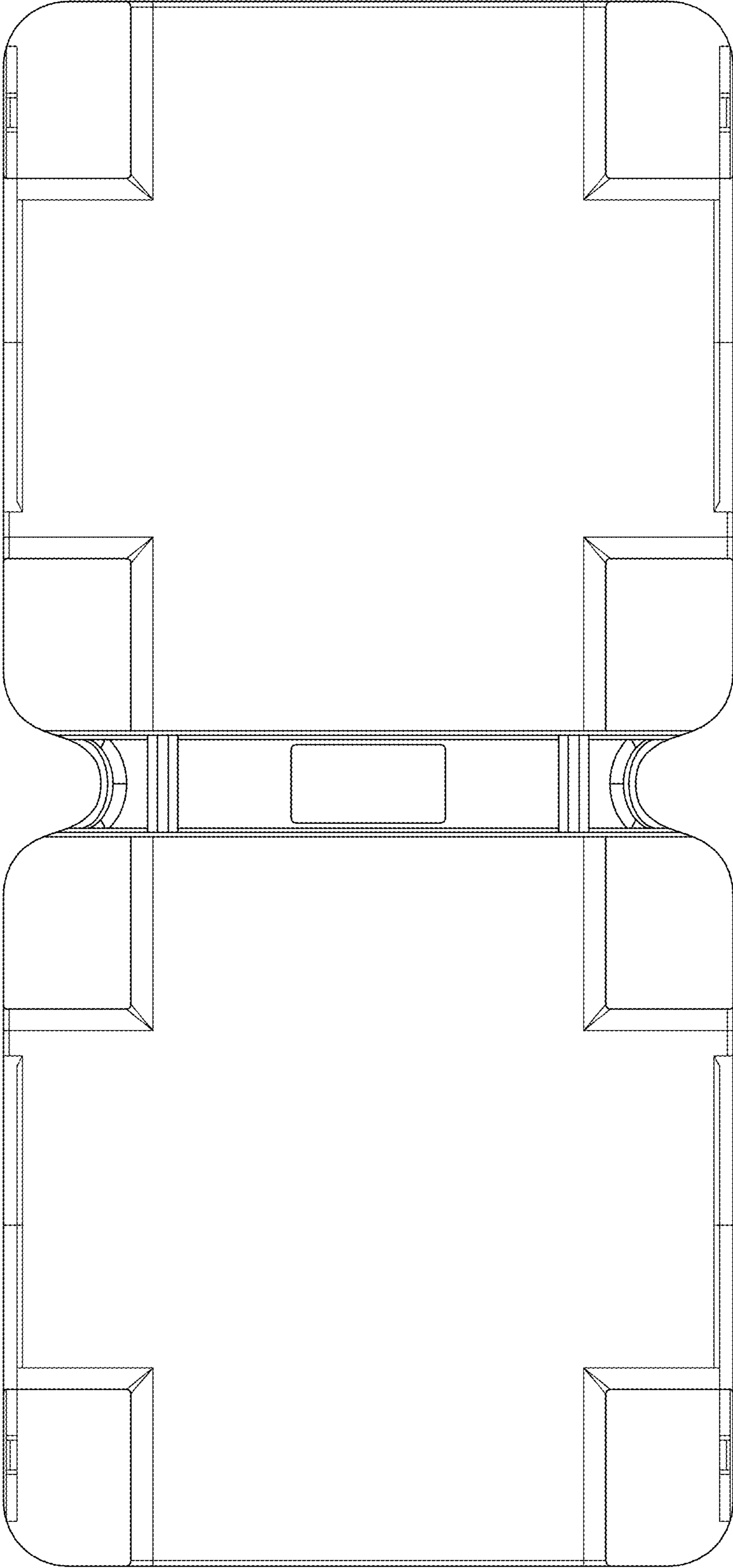


FIG. 2

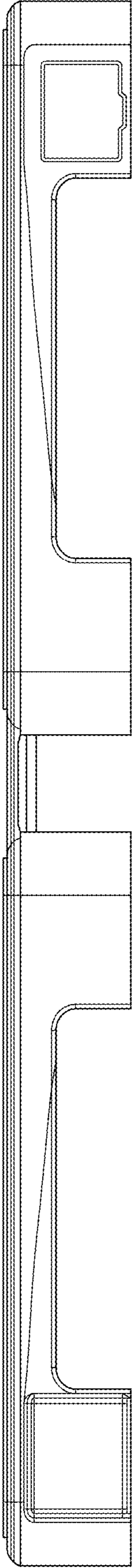


FIG. 3

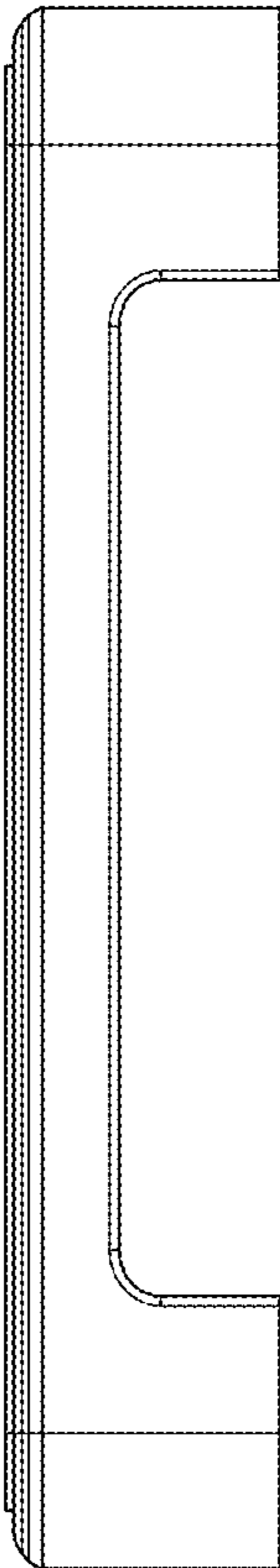


FIG. 4

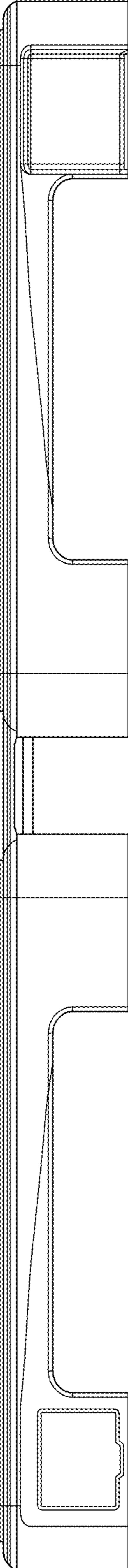


FIG. 5

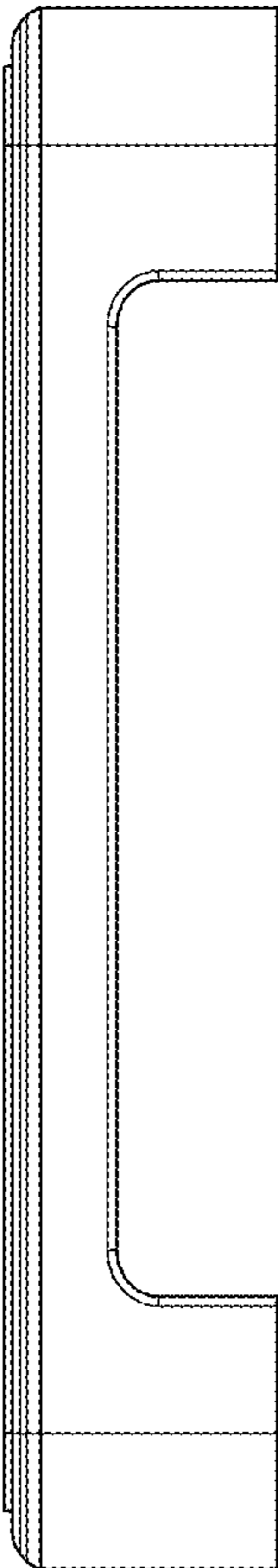


FIG. 6



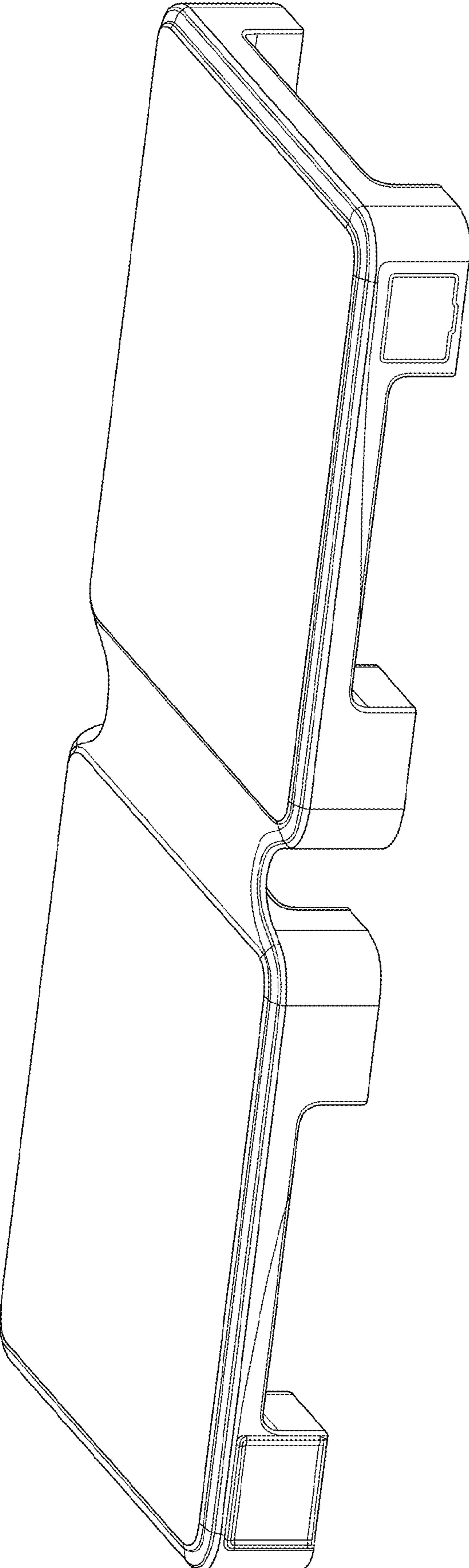


FIG. 7

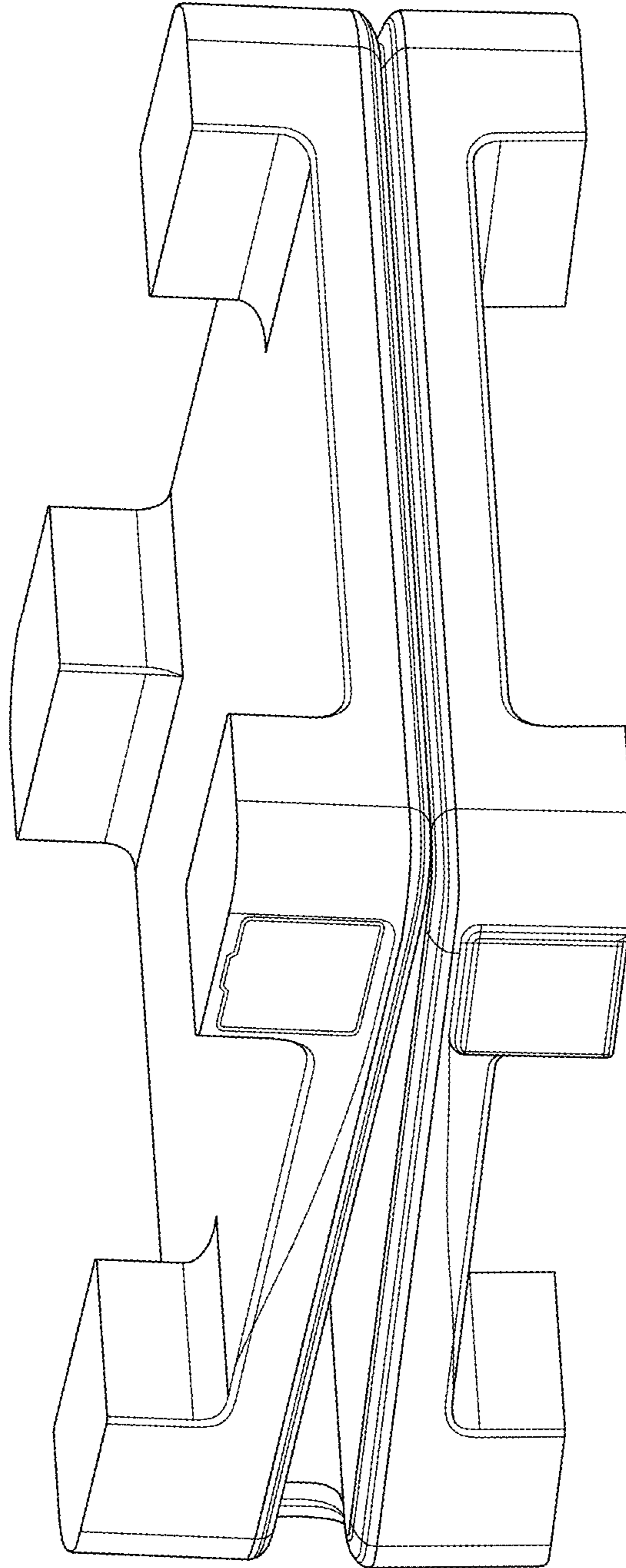


FIG. 8

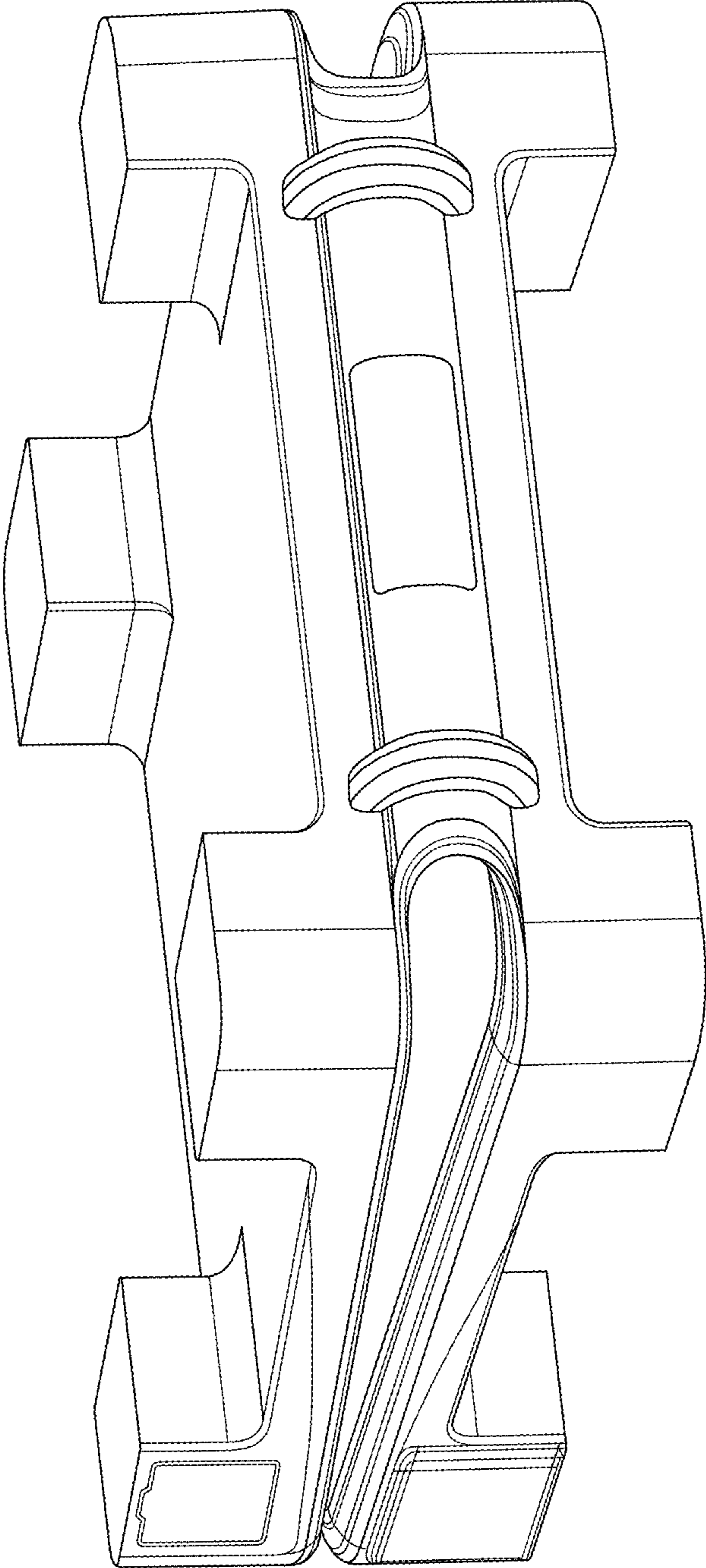


FIG. 9