



US00D874212S

(12) **United States Design Patent** (10) **Patent No.:** **US D874,212 S**
Garman et al. (45) **Date of Patent:** **** Feb. 4, 2020**

(54) **APPLIANCE FOR COOKING EGGS AND OTHER FOODSTUFFS**

(71) Applicant: **Hamilton Beach Brands, Inc.**, Glen Allen, VA (US)

(72) Inventors: **Michael Garman**, Stafford, VA (US); **Derek A McCullough**, Richmond, VA (US); **Elena A Marentes**, Glen Allen, VA (US)

(73) Assignee: **Hamilton Beach Brands, Inc.**, Glen Allen, VA (US)

(**) Term: **15 Years**

(21) Appl. No.: **29/701,249**

(22) Filed: **Aug. 9, 2019**

Related U.S. Application Data

(63) Continuation of application No. 16/441,199, filed on Jun. 14, 2019.

(51) **LOC (12) Cl.** **07-02**

(52) **U.S. Cl.**
USPC **D7/357; D7/354**

(58) **Field of Classification Search**
USPC D7/323, 354-364, 500, 503
CPC A01K 41/02; A01K 41/023; A01K 41/026;
A01K 41/06; A21B 5/02; A21B 5/026;
A21B 5/04; A23B 5/00; A23B 5/005;
A23B 5/0052; A47J 27/00; A47J 27/004;
A47J 29/00; A47J 29/02; A47J 29/04;
A47J 29/06; A47J 36/025; A47J 36/06;
A47J 36/12

See application file for complete search history.

(56) **References Cited**

U.S. PATENT DOCUMENTS

1,814,754 A 7/1931 Hettie
1,850,131 A 3/1932 Max

D97,530 S * 11/1935 Knapp D7/364
2,093,013 A 9/1937 Jennings
D171,000 S * 12/1953 Levine D7/357
2,761,375 A 9/1956 Jepson
2,807,701 A 9/1957 Conlin et al.
3,577,908 A 5/1971 Burg
3,704,663 A 12/1972 Shull et al.
3,720,156 A 3/1973 Hentschel
4,276,820 A 7/1981 Joannou
D260,958 S * 9/1981 Nishikawa D7/357
4,509,412 A 4/1985 Whittenburg et al.
6,646,234 B2 11/2003 Damrath

(Continued)

FOREIGN PATENT DOCUMENTS

CN 202168739 U 3/2012
CN 204218667 U 3/2015
EP 0860131 8/1998

Primary Examiner — Ricky Pham

(74) *Attorney, Agent, or Firm* — Alexander D. Raring

(57) **CLAIM**

We claim the ornamental design for an appliance for cooking eggs and other foodstuffs, as shown and described.

DESCRIPTION

FIG. 1 is a perspective view of an appliance for cooking eggs and other foodstuffs from the front, top and right sides, showing the new design.

FIG. 2 is a front view thereof.

FIG. 3 is a rear view thereof.

FIG. 4 is a right side view thereof.

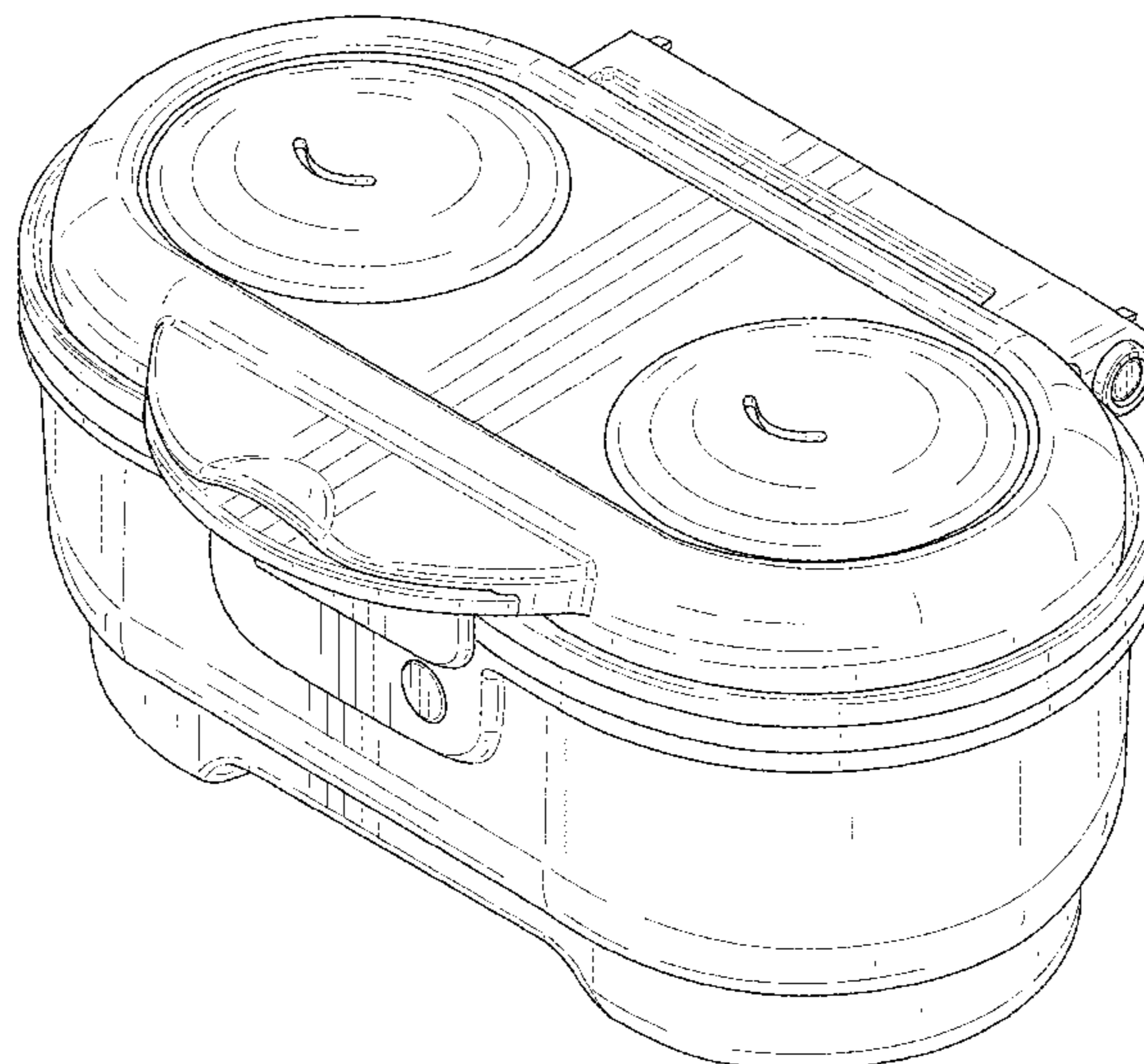
FIG. 5 is a left side view thereof.

FIG. 6 is a top view thereof; and,

FIG. 7 is a bottom view thereof.

In the drawings, the broken lines shown in the figures depict unclaimed subject matter and form no part of the claimed design.

1 Claim, 6 Drawing Sheets



(56)

References Cited

U.S. PATENT DOCUMENTS

| | | | | | |
|--------------|----|---|---------|---------------|--------|
| D488,670 | S | * | 4/2004 | Chan | D7/357 |
| 6,840,159 | B1 | | 1/2005 | Li | |
| D507,452 | S | * | 7/2005 | Chan | D7/357 |
| D513,151 | S | * | 12/2005 | Currie | D7/364 |
| D547,598 | S | * | 7/2007 | Hasuike | D7/356 |
| 7,312,424 | B2 | | 12/2007 | Hannon et al. | |
| D569,679 | S | | 5/2008 | Lion et al. | |
| D610,867 | S | * | 3/2010 | Chan | D7/364 |
| D617,134 | S | * | 6/2010 | Perkins | D7/364 |
| 9,271,596 | B2 | | 3/2016 | Seddon | |
| 2010/0051603 | A1 | | 3/2010 | Powell | |

* cited by examiner

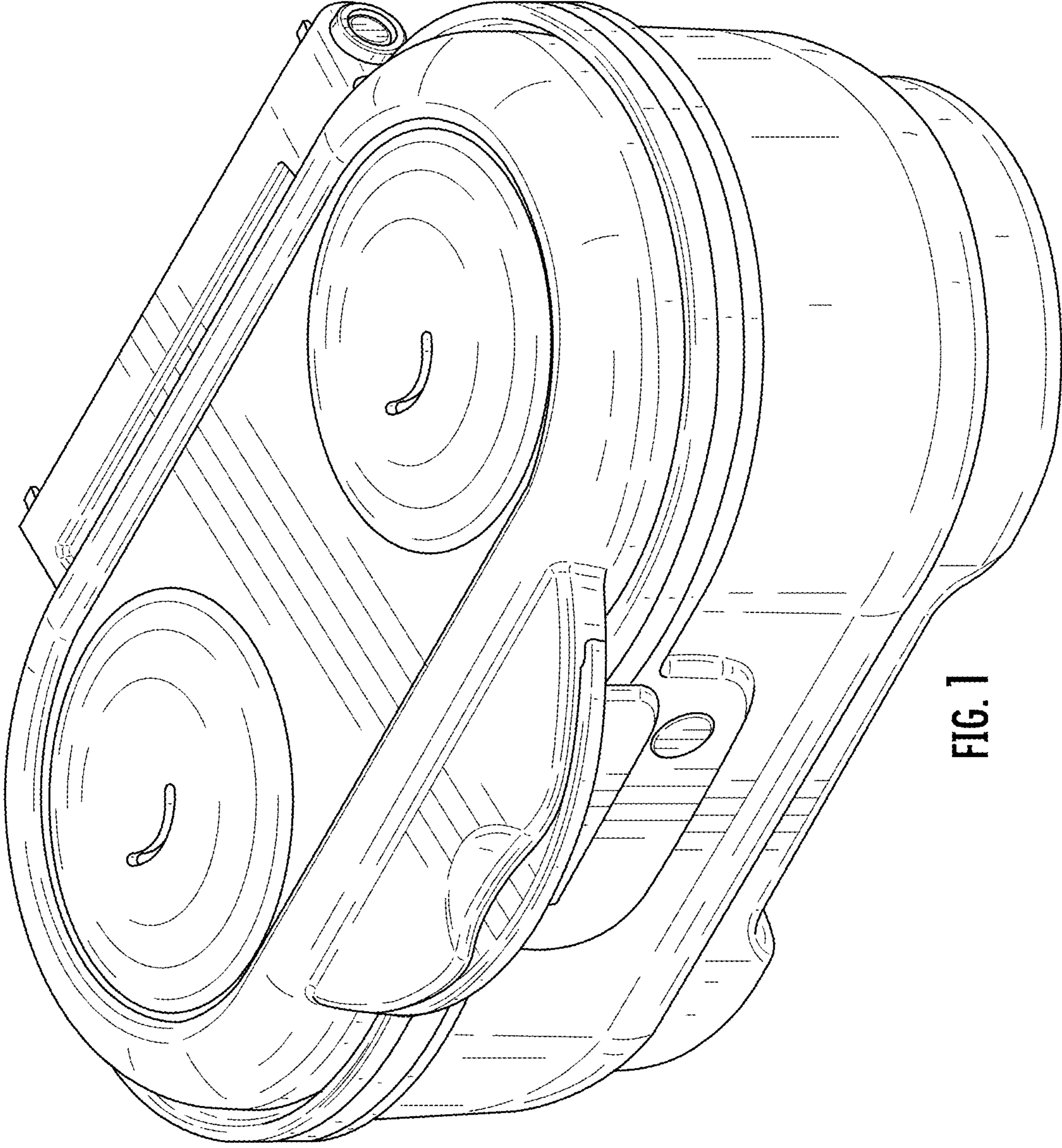


FIG. 1

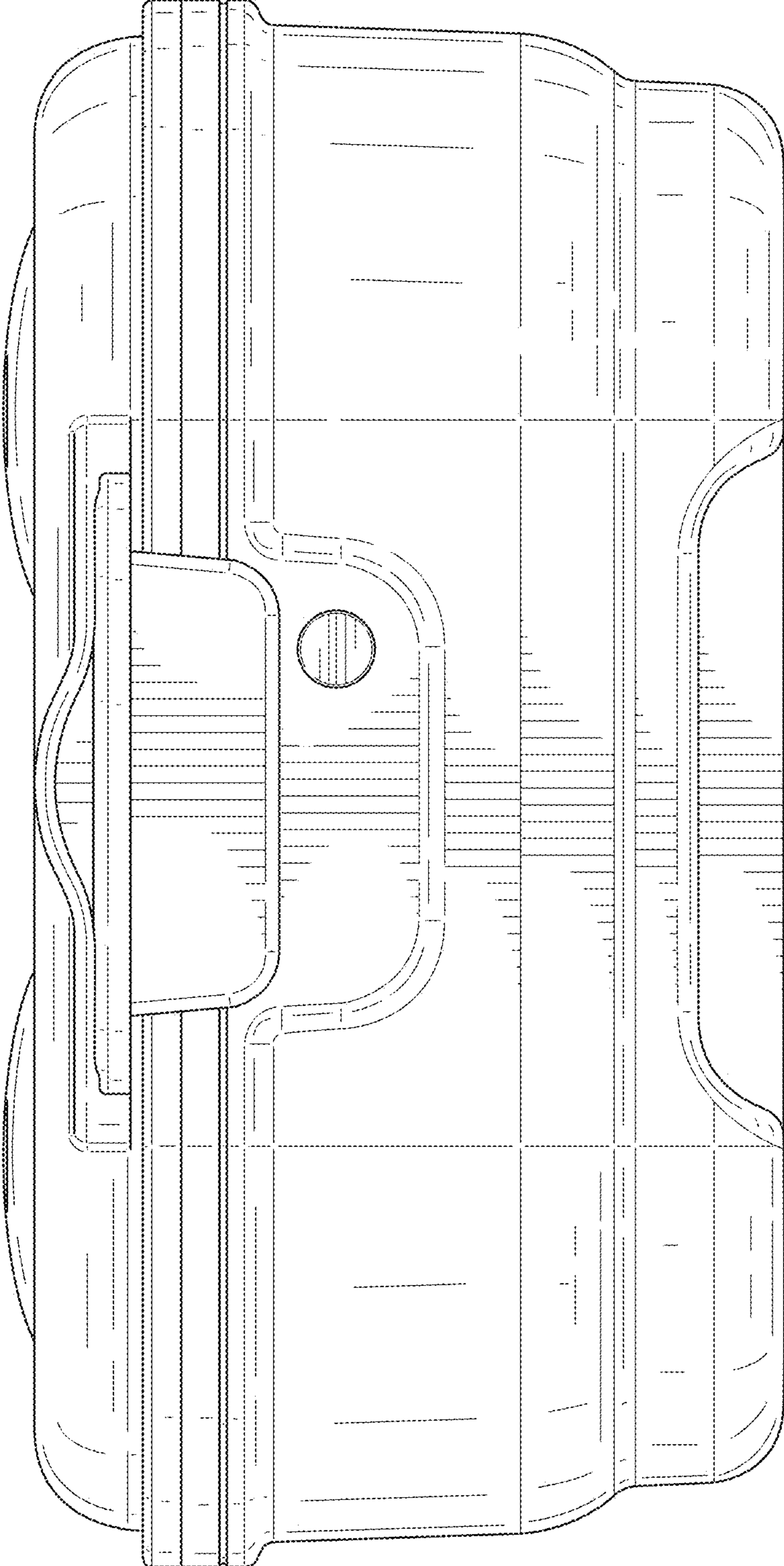


FIG. 2

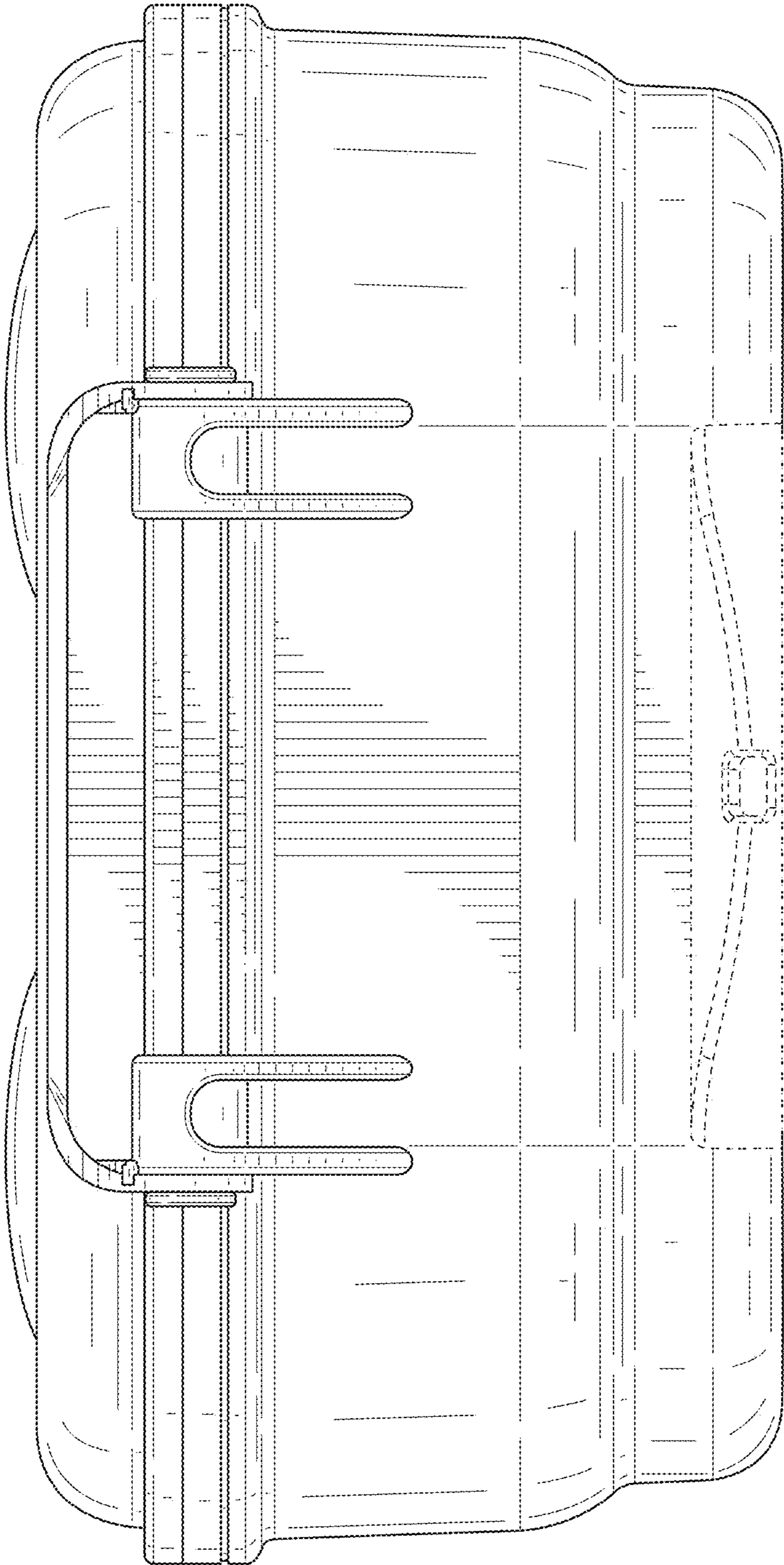


FIG. 3

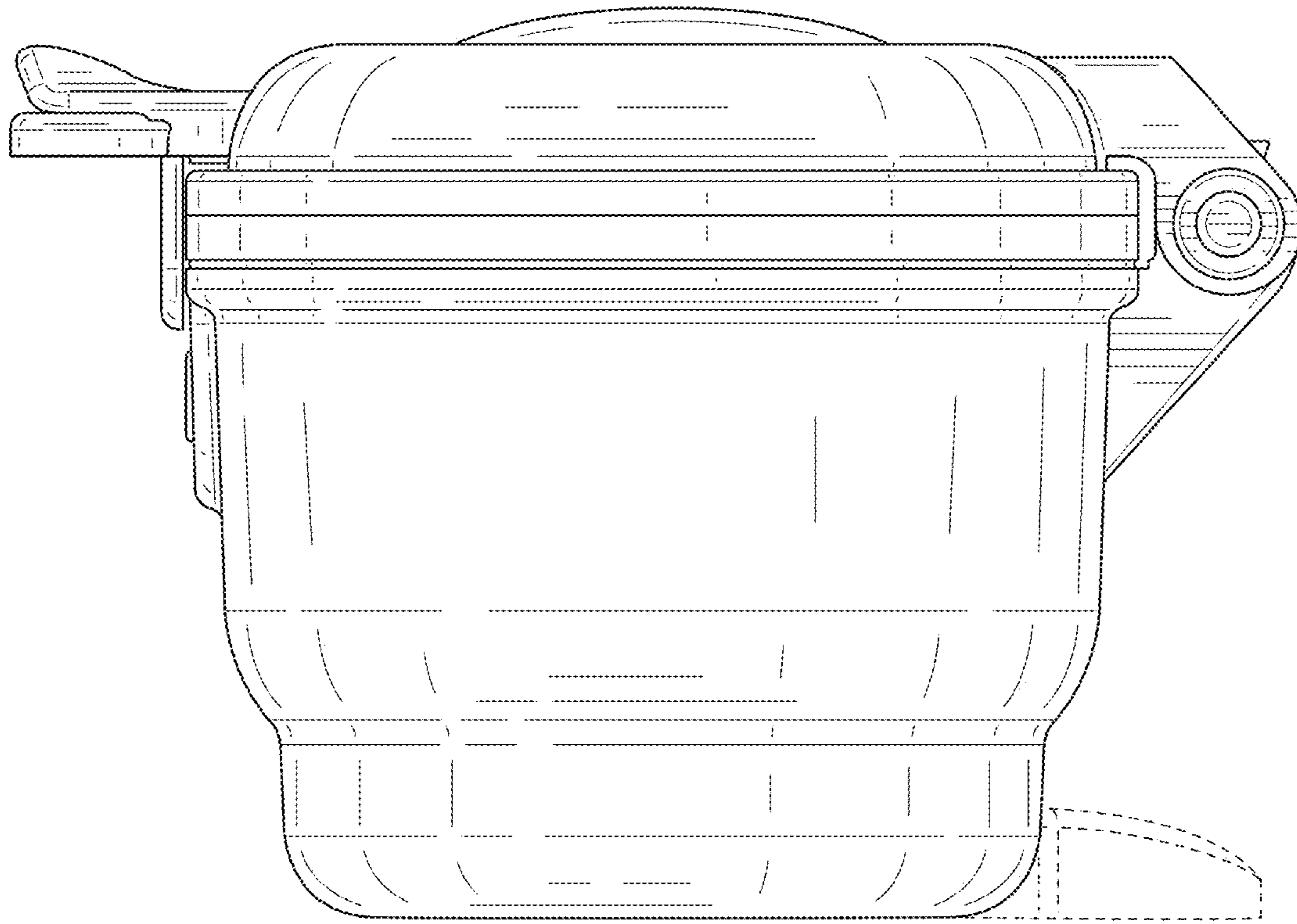


FIG. 4

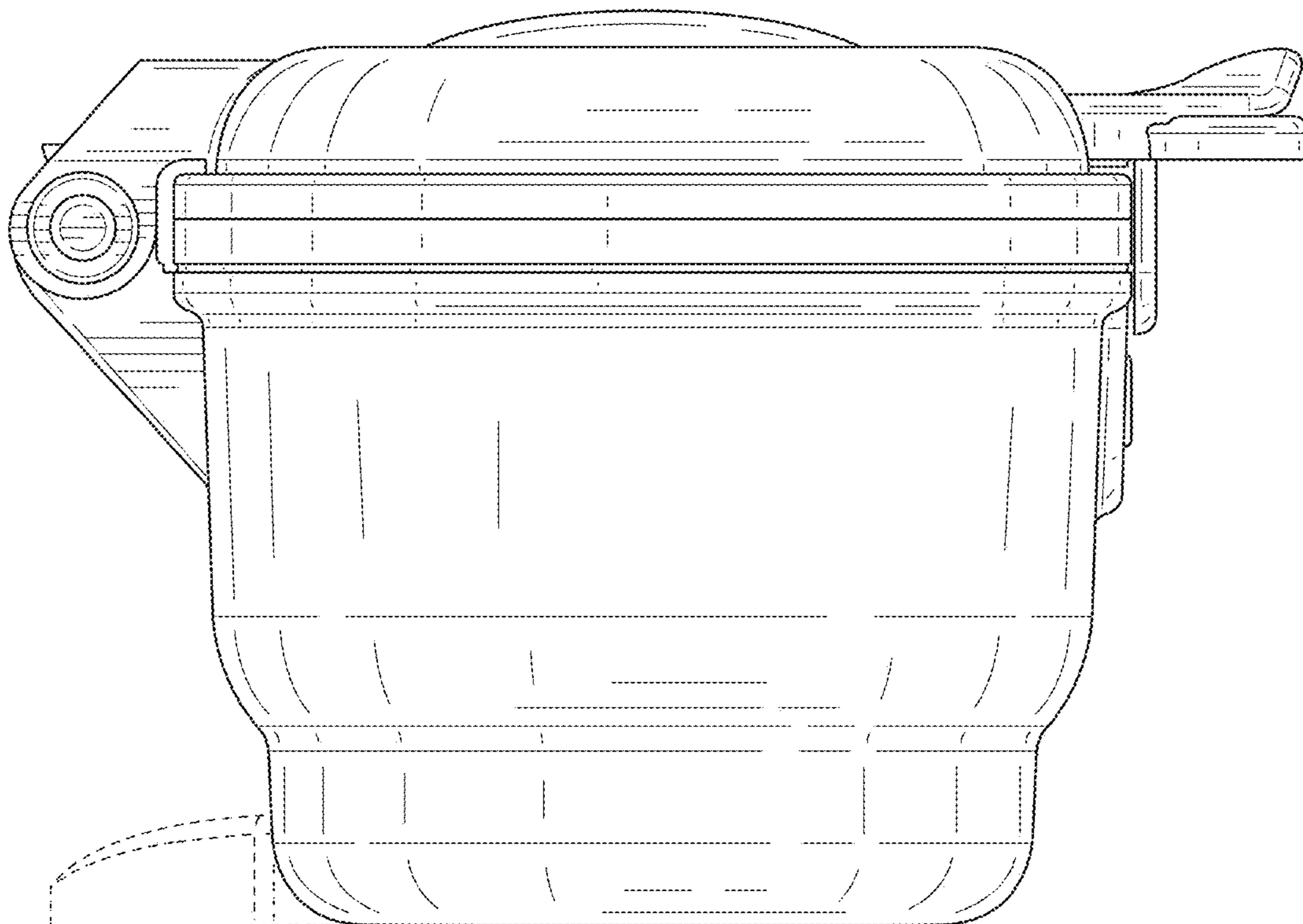


FIG. 5

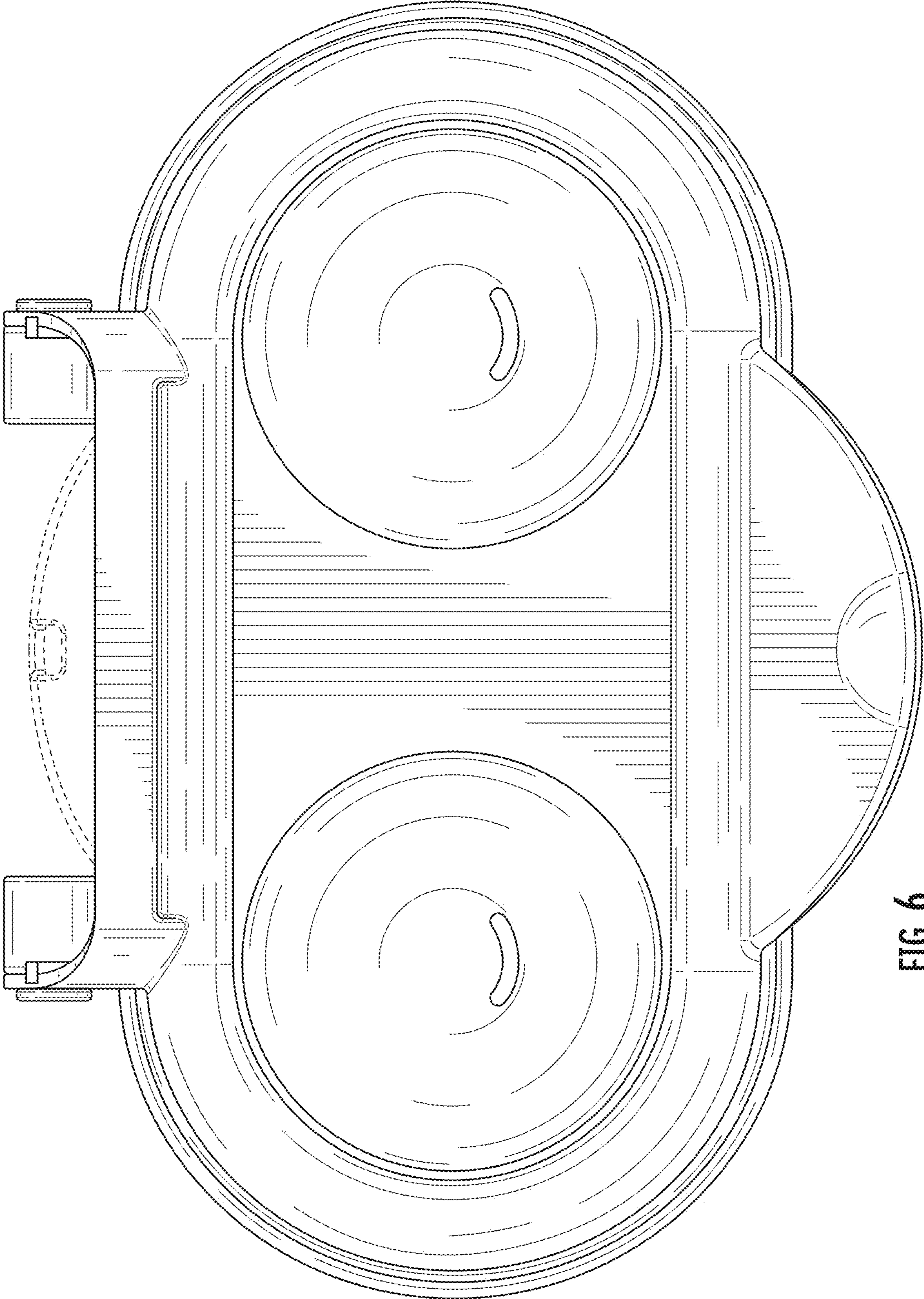


FIG. 6

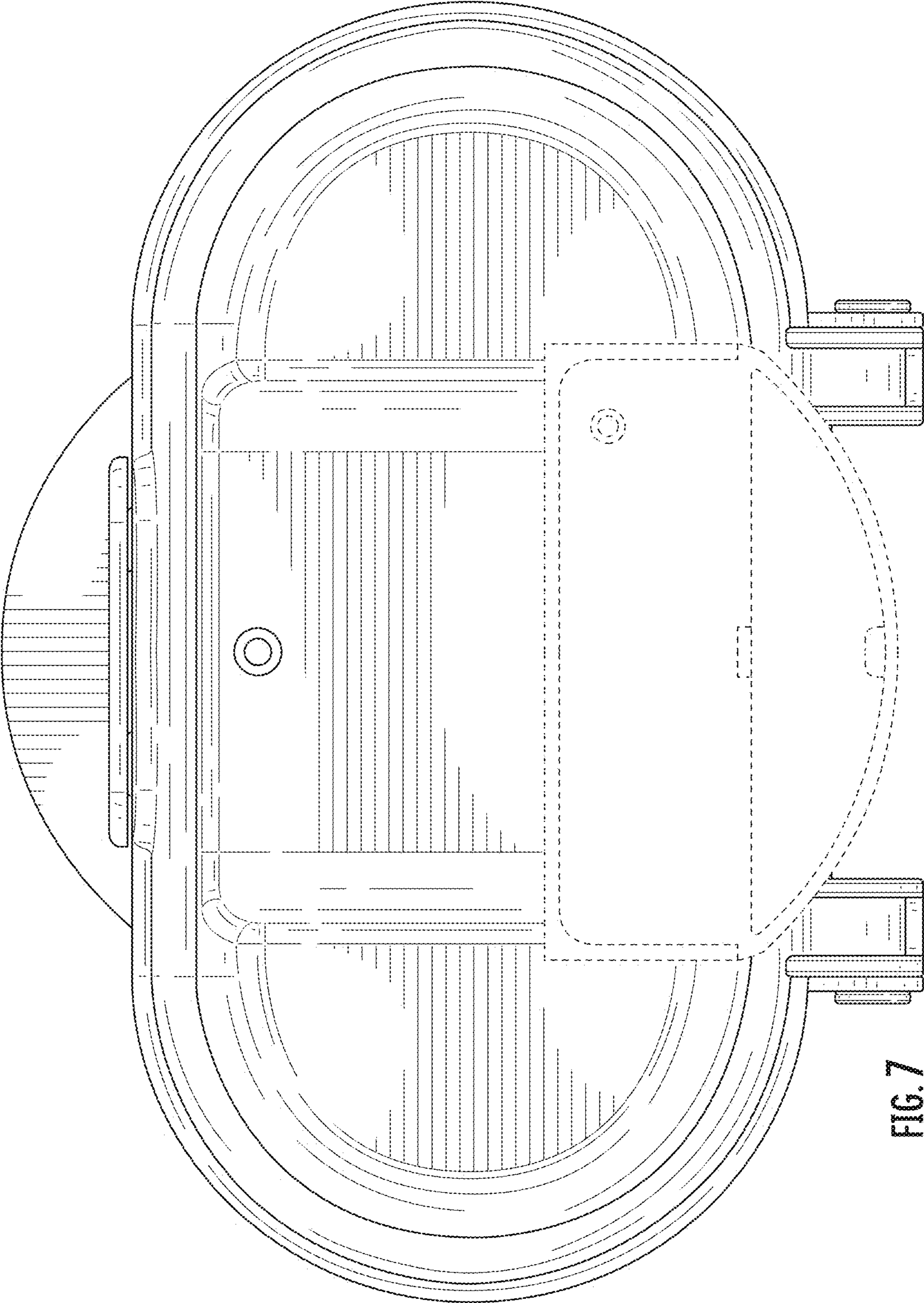


FIG. 7