



US00D874209S

(12) **United States Design Patent** (10) **Patent No.:** **US D874,209 S**
Harrell et al. (45) **Date of Patent:** **** Feb. 4, 2020**

(54) **STOVE**
(71) Applicant: **Dometic Sweden AB**, Solna (SE)
(72) Inventors: **Dustin Harrell**, Goodlettsville, TN (US); **Samuele Meda**, Solna (SE); **Kristoffer Olsson**, Stockholm (SE)
(73) Assignee: **Dometic Sweden AB**, Solna (SE)
(**) Term: **15 Years**
(21) Appl. No.: **29/627,084**
(22) Filed: **Nov. 22, 2017**
(51) **LOC (12) Cl.** **07-02**
(52) **U.S. Cl.**
USPC **D7/346**; D7/339; D7/340
(58) **Field of Classification Search**
USPC D7/323, 328-330, 339-349, 390, D7/402-406; D8/300-306
CPC ... A21B 2/00; A47J 37/00; A47J 37/06; A47J 37/0611; A47J 37/08; A47J 37/0807; A47J 37/0814; A47J 37/0835; A47J 37/0842; A47J 37/085; A47J 37/0864; A47J 37/0878; A47J 37/0885; A47J 37/0892; F24C 3/085; F24C 7/00; F24C 7/002; F24C 7/046; F24C 7/067; F24C 15/02; F24C 15/04; F24C 15/10; F24C 15/102
See application file for complete search history.

D479,781 S 9/2003 Pottenger et al.
D479,942 S 9/2003 Pottenger et al.
D480,261 S 10/2003 Pottenger et al.
D538,581 S * 3/2007 Lee D7/340
(Continued)

FOREIGN PATENT DOCUMENTS

CN 304863114 S 10/2018

OTHER PUBLICATIONS

Dometic 2016 Product Catalogue, Cooking, pp. 95-96. Nov. 18, 2015.

(Continued)

Primary Examiner — Ricky Pham

(74) *Attorney, Agent, or Firm* — Middleton Reutlinger

(57) **CLAIM**

The ornamental design for a stove, as shown and described.

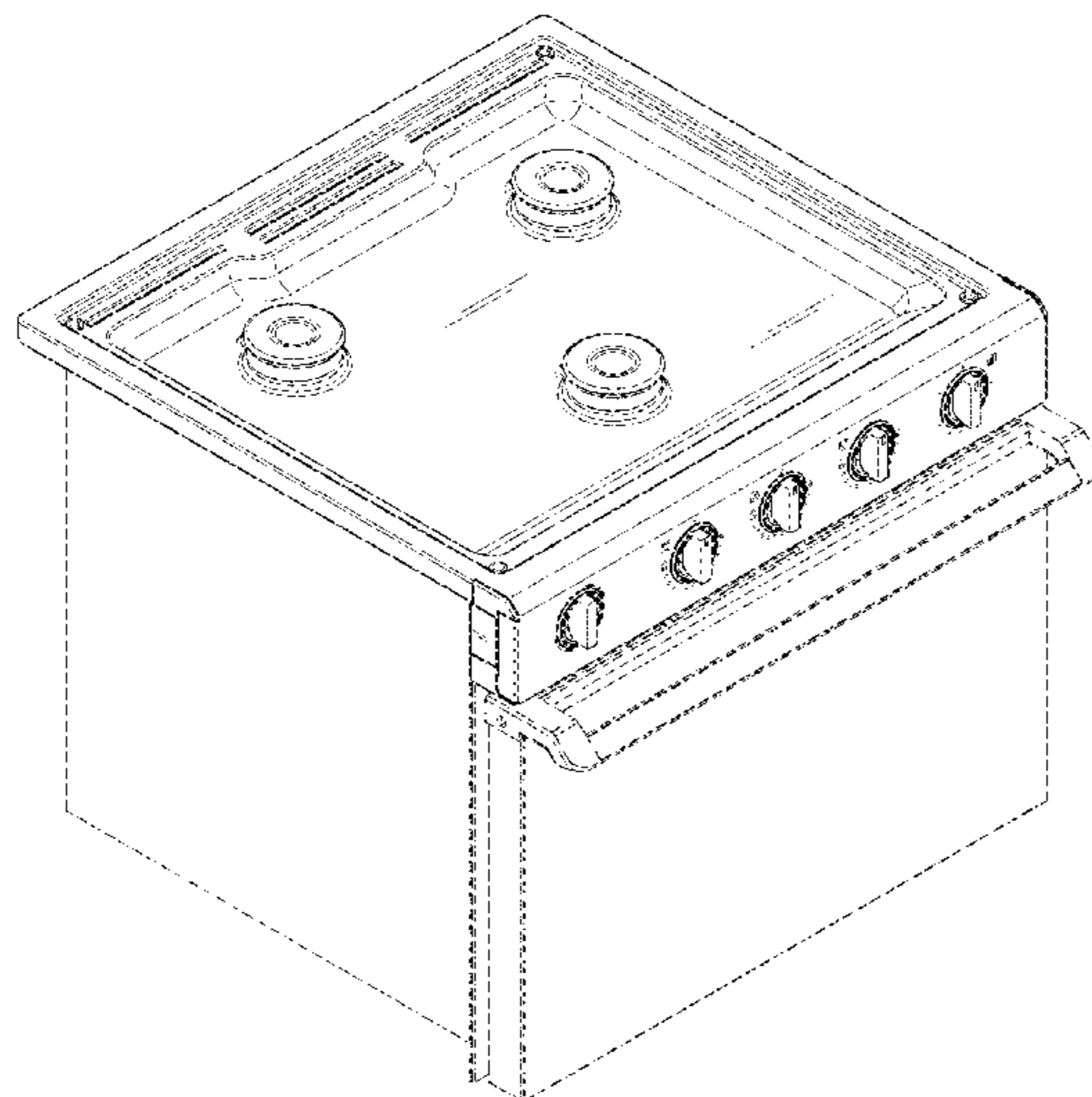
DESCRIPTION

FIG. 1 is an upper perspective view of a first stove design; FIG. 2 is a second upper perspective view of the stove design of FIG. 1; FIG. 3 is a front view of the stove design of FIG. 1; FIG. 4 is a top view of the stove design of FIG. 1; FIG. 5 is a first side view of the stove design of FIG. 1; FIG. 6 is a second side view of the stove design of FIG. 1; FIG. 7 is an upper perspective view of a second stove design; FIG. 8 is second upper perspective view of the stove design of FIG. 7; FIG. 9 is a front view of the stove design of FIG. 7; FIG. 10 is a top view of the stove design of FIG. 7; FIG. 11 is a first side view of the stove design of FIG. 7; and, FIG. 12 is a second side view of the stove design of FIG. 7. The broken line disclosure represents unclaimed portions of the stove in which the design is embodied.

1 Claim, 12 Drawing Sheets

(56) **References Cited**
U.S. PATENT DOCUMENTS

D343,336 S 1/1994 Falk
D392,502 S 3/1998 Ashcraft et al.
D393,774 S 4/1998 Ashcraft et al.
6,257,228 B1 * 7/2001 Braccini F24C 3/085
126/211



(56)

References Cited

U.S. PATENT DOCUMENTS

D564,838 S	3/2008	Shin et al.	
D599,608 S	9/2009	Grumm et al.	
D629,638 S	12/2010	Funnell et al.	
D722,818 S	2/2015	Pionek et al.	
D722,820 S	2/2015	Pionek et al.	
D724,382 S	3/2015	Pionek et al.	
D771,437 S	11/2016	Segers et al.	
D781,648 S *	3/2017	Shoemaker	D7/406
D804,245 S	12/2017	Segers et al.	
D810,493 S	2/2018	Harrell et al.	
D812,959 S *	3/2018	Kim	D7/348
D816,386 S *	5/2018	Kim	D7/340
D817,066 S *	5/2018	Shoemaker	D7/339
2019/0154264 A1	5/2019	Harrell	

OTHER PUBLICATIONS

Design U.S. Appl. No. 29/627,123, filed Nov. 22, 2017 entitled "Stove".

Design U.S. Appl. No. 29/627,085, filed Nov. 22, 2017 entitled "Stove".

U.S. Appl. No. 62/589,769, filed Nov. 22, 2017 entitled "Stove".

Design U.S. Appl. No. 29/633,001, filed Jan. 11, 2018 entitled "Cooktop Cover".

Chinese Patent Application No. 201830235109.2 filed May 21, 2018 entitled "Stove".

Chinese Patent Application No. 201830235110.5 filed May 21, 2018 entitled "Stove Grate".

Restriction Requirement mailed in U.S. Design Appl. No. 29/627,085, dated Oct. 31, 2018.

Notice of Allowance mailed in U.S. Design Appl. No. 29/627,085, dated Jan. 24, 2019.

U.S. Design Appl. No. 29/690,322 filed May 7, 2019 entitled "Stove".

U.S. Design Appl. No. 29/690,324 filed May 7, 2019 entitled "Stove".

* cited by examiner

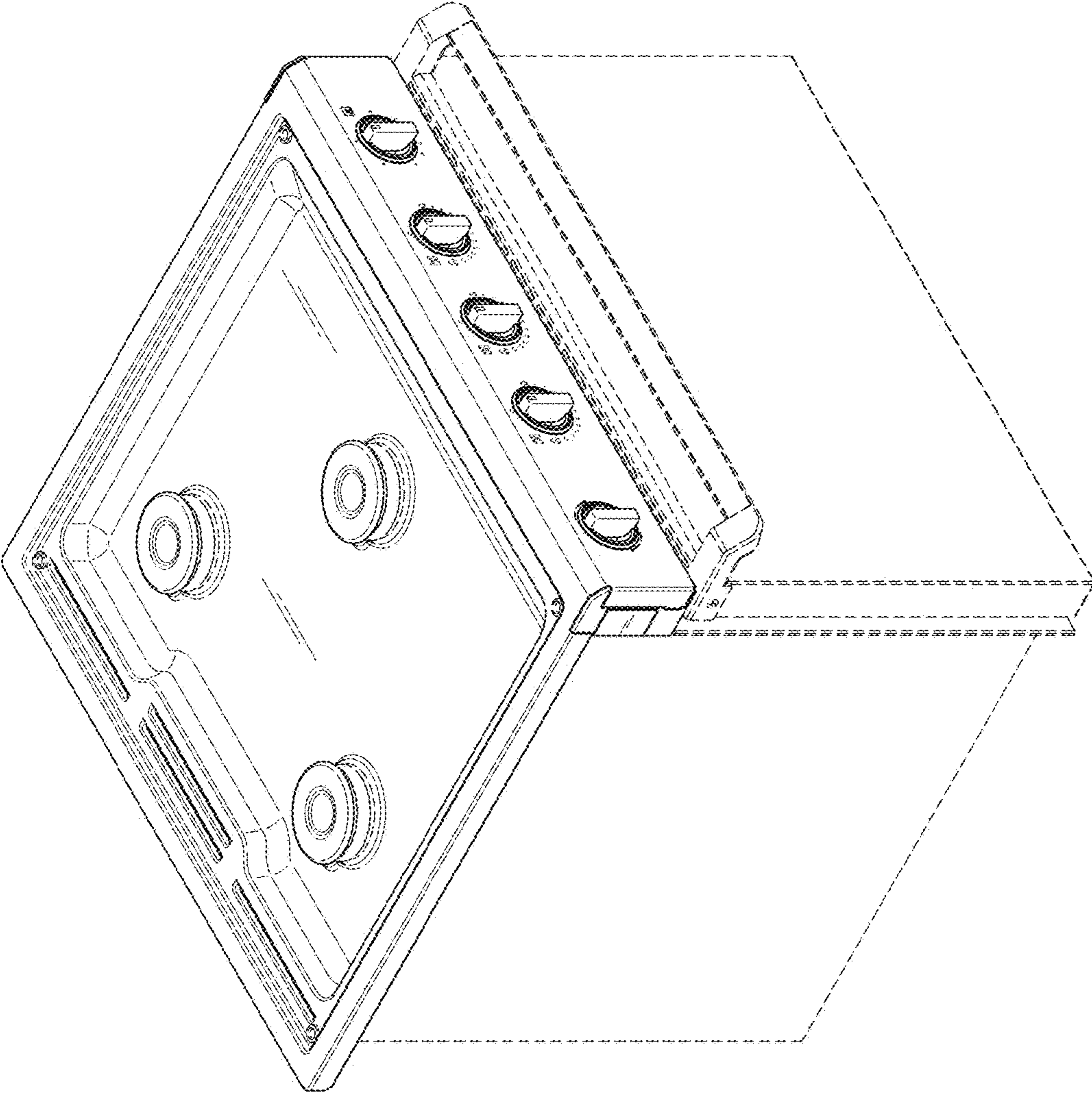


FIG. 1

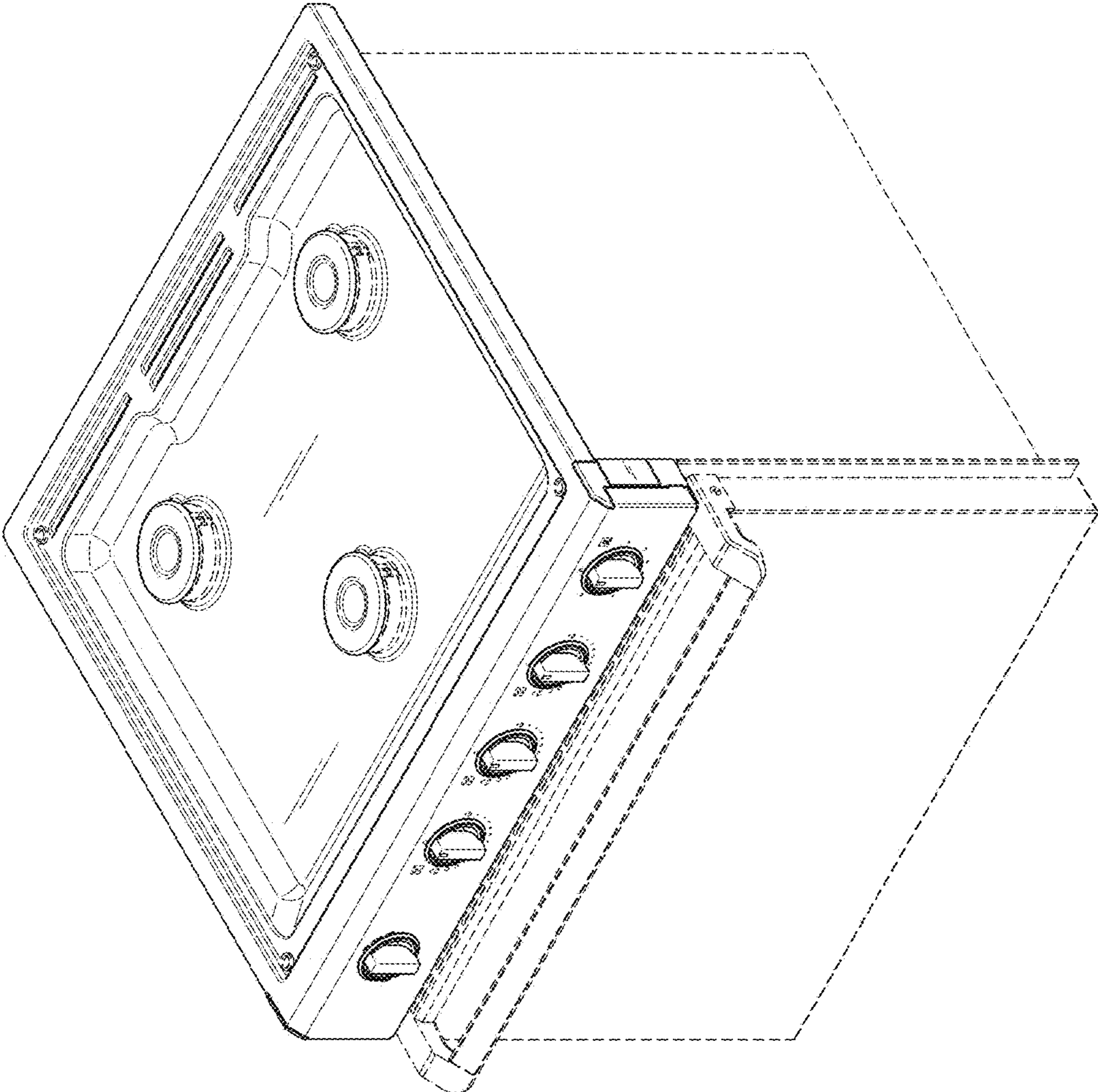


FIG. 2

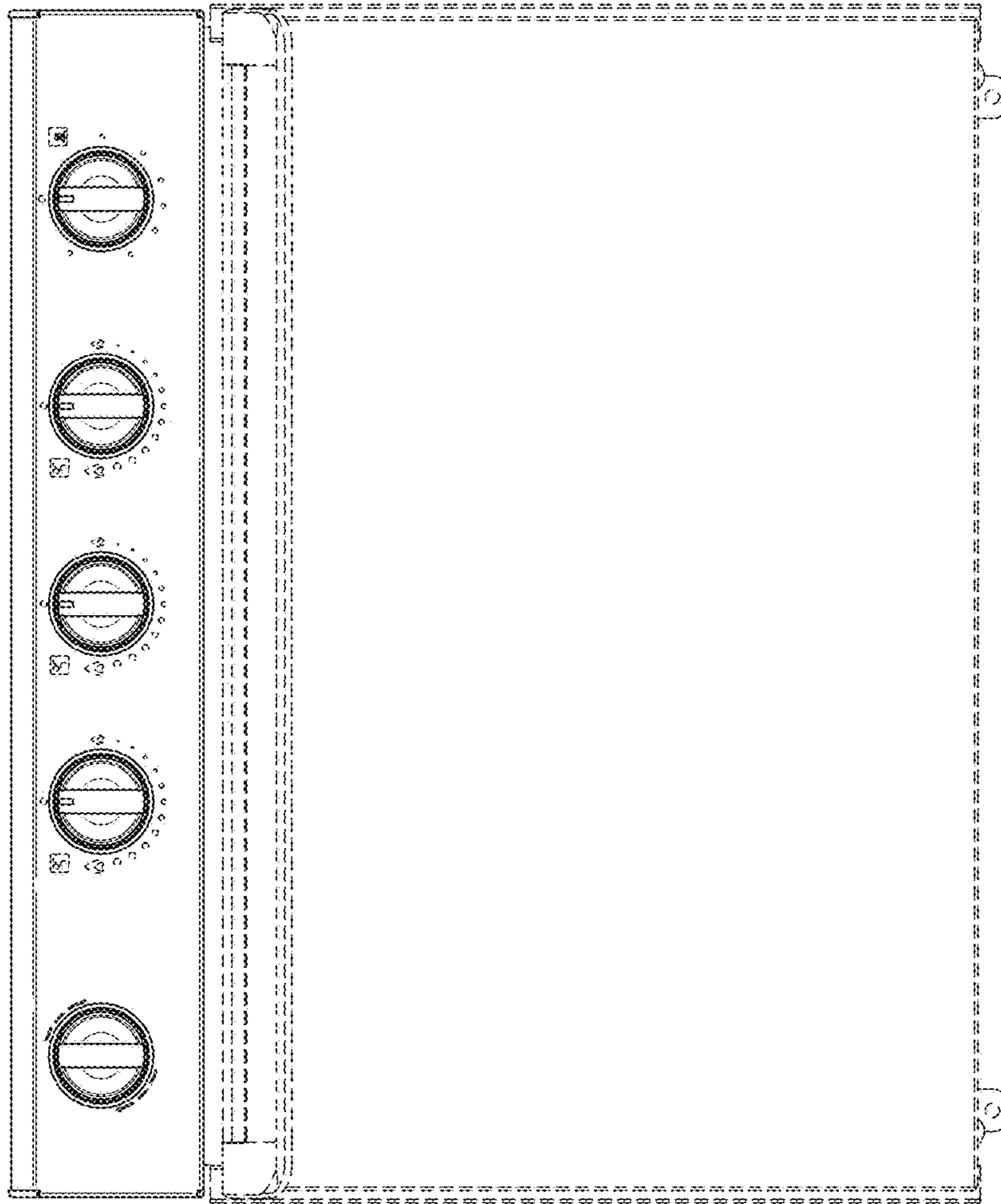


FIG. 3

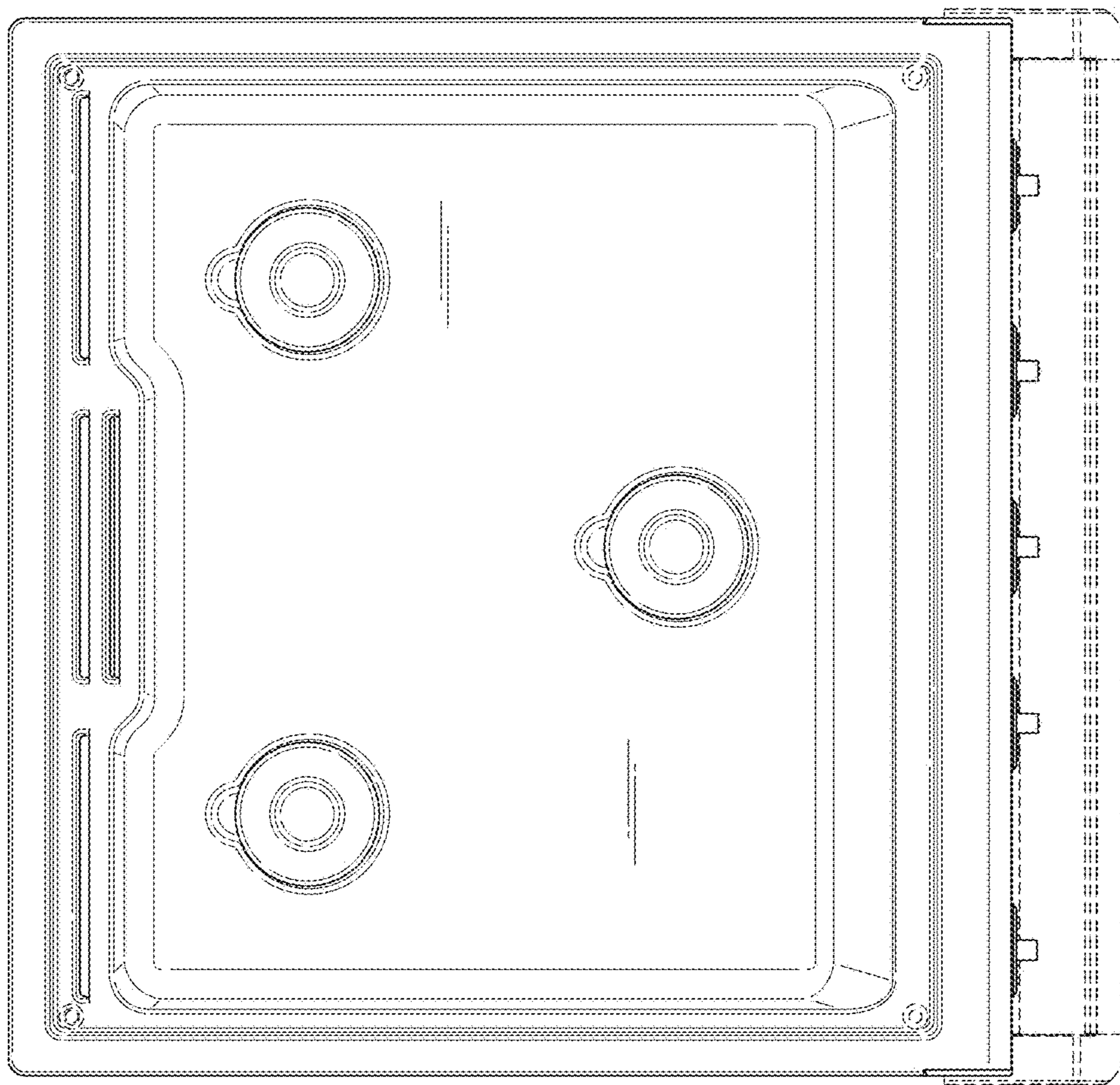


FIG. 4

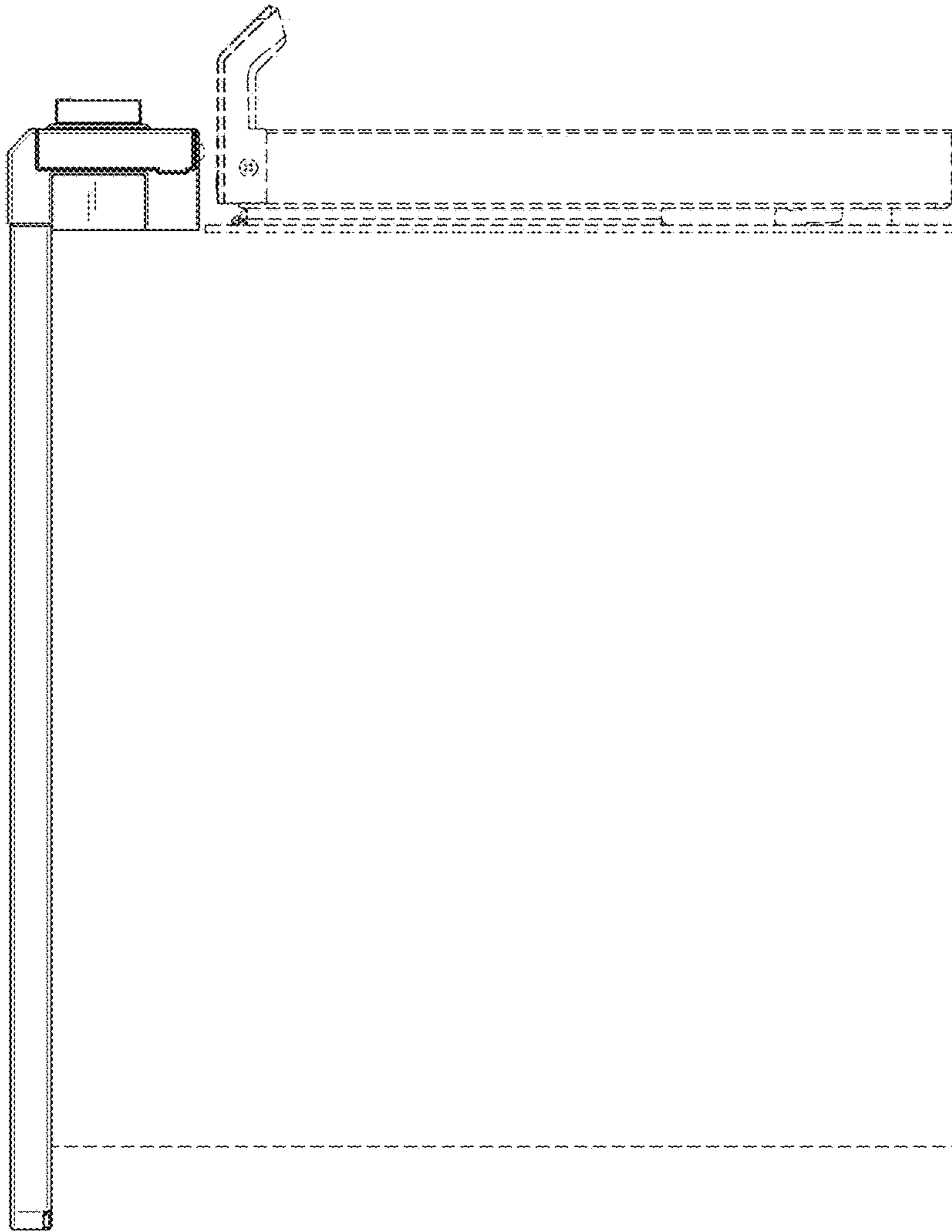


FIG. 5

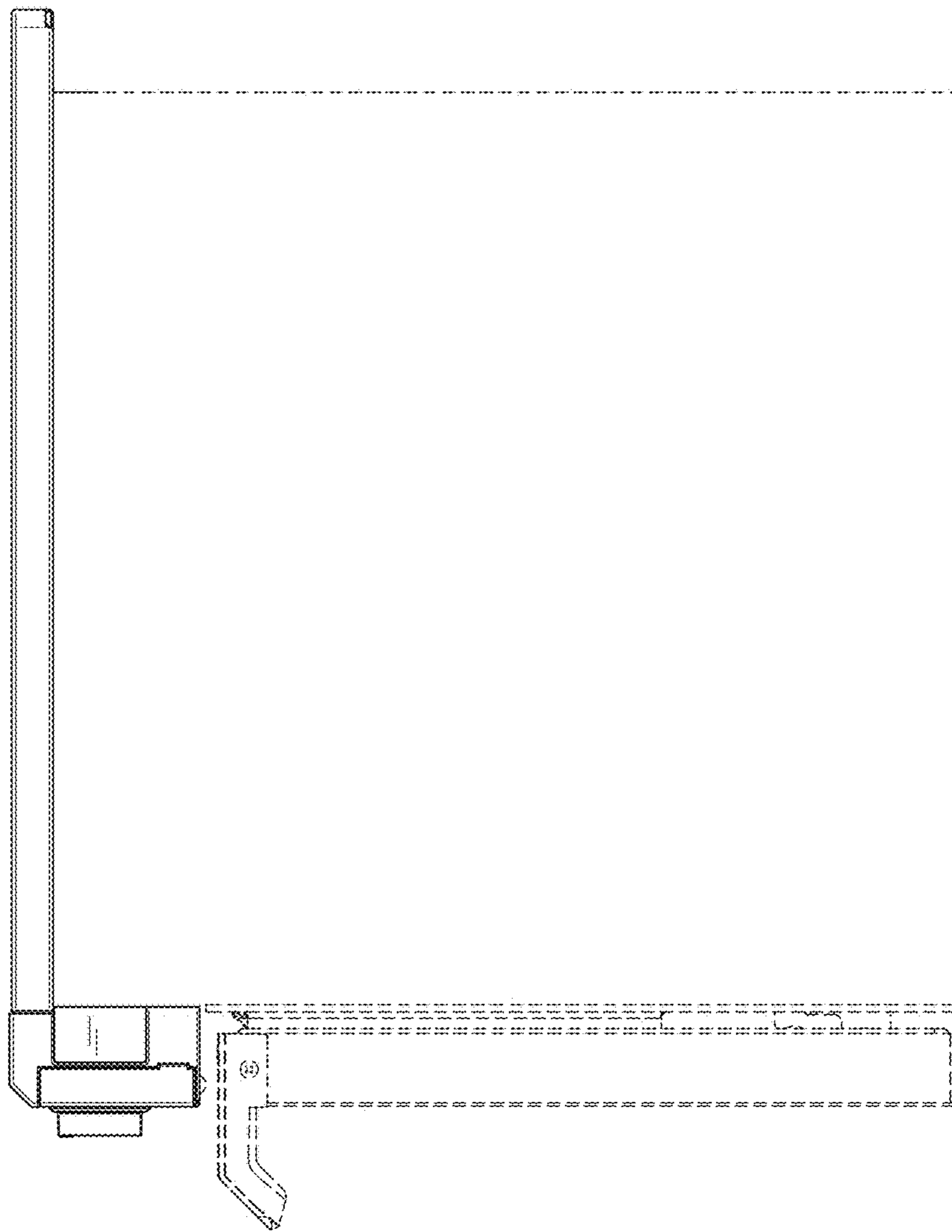


FIG. 6

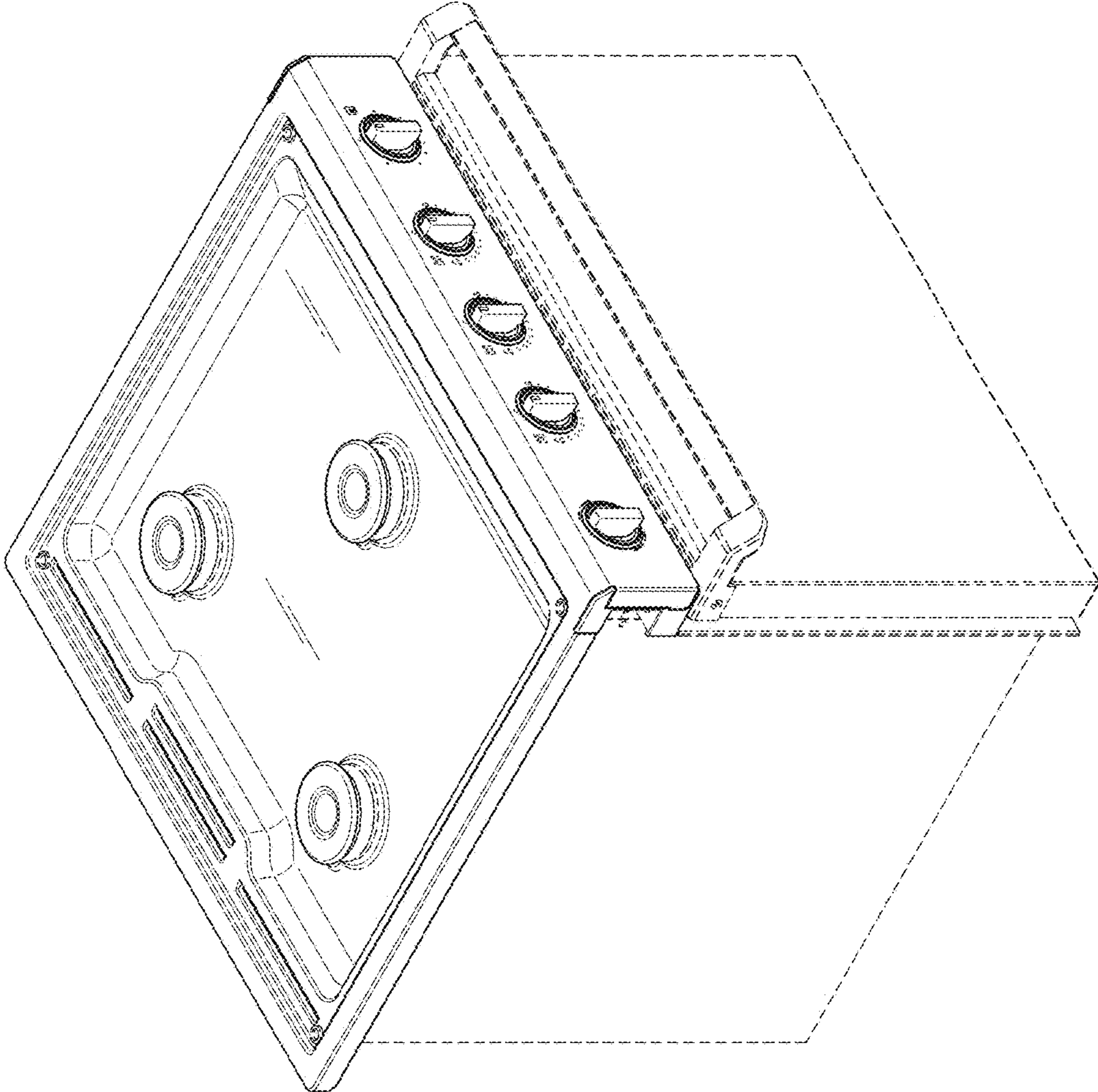


FIG. 7

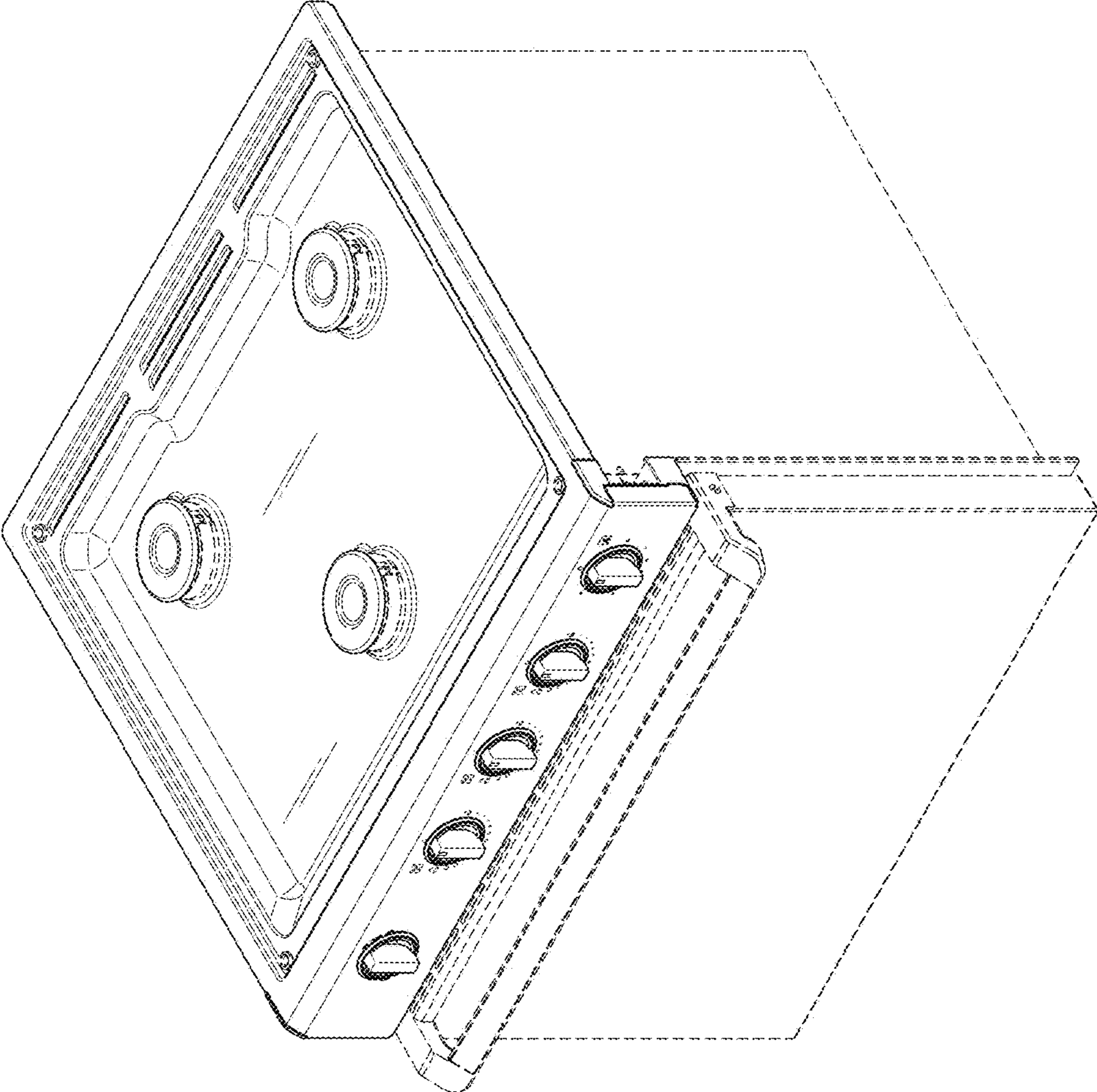


FIG. 8

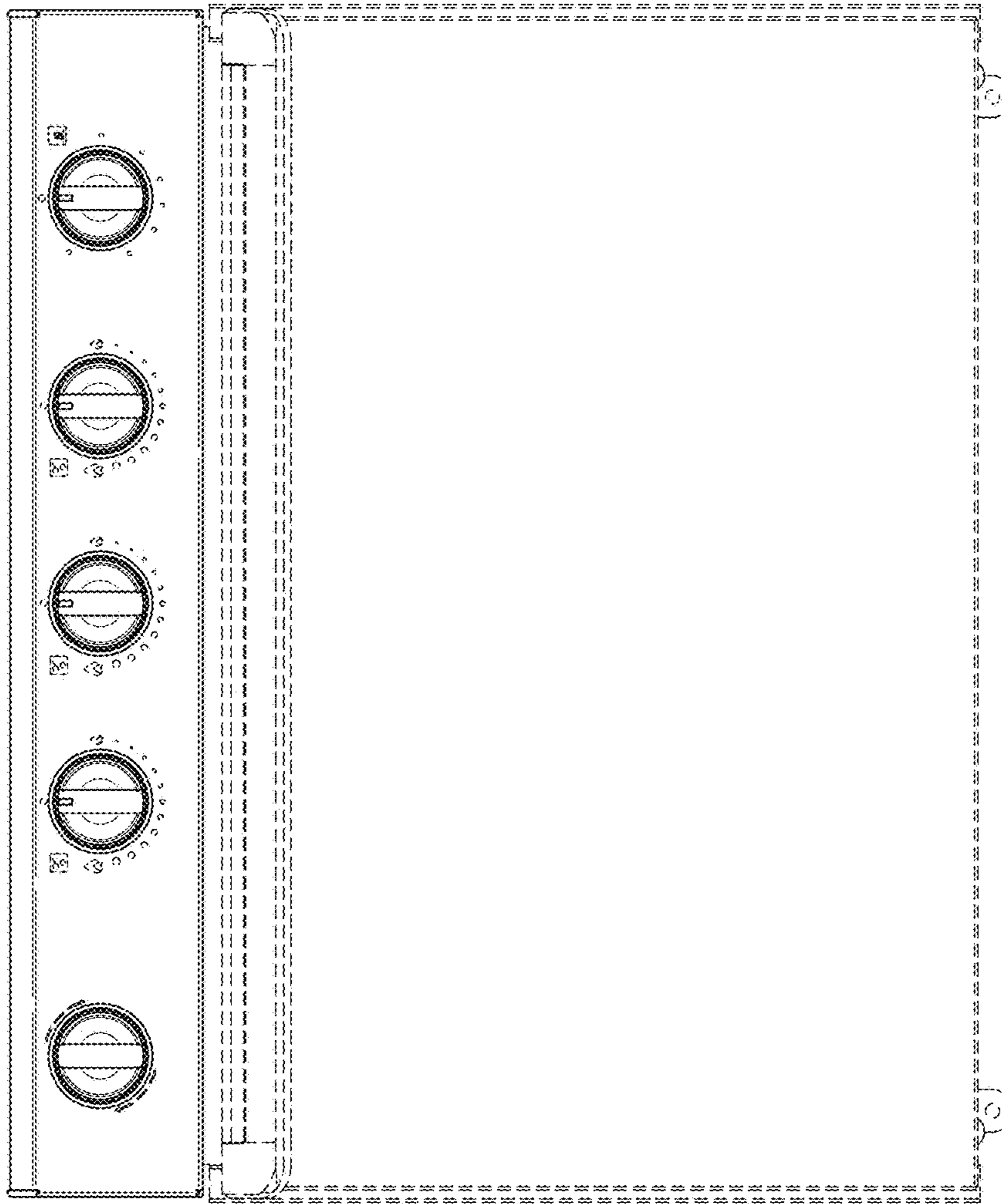


FIG. 9

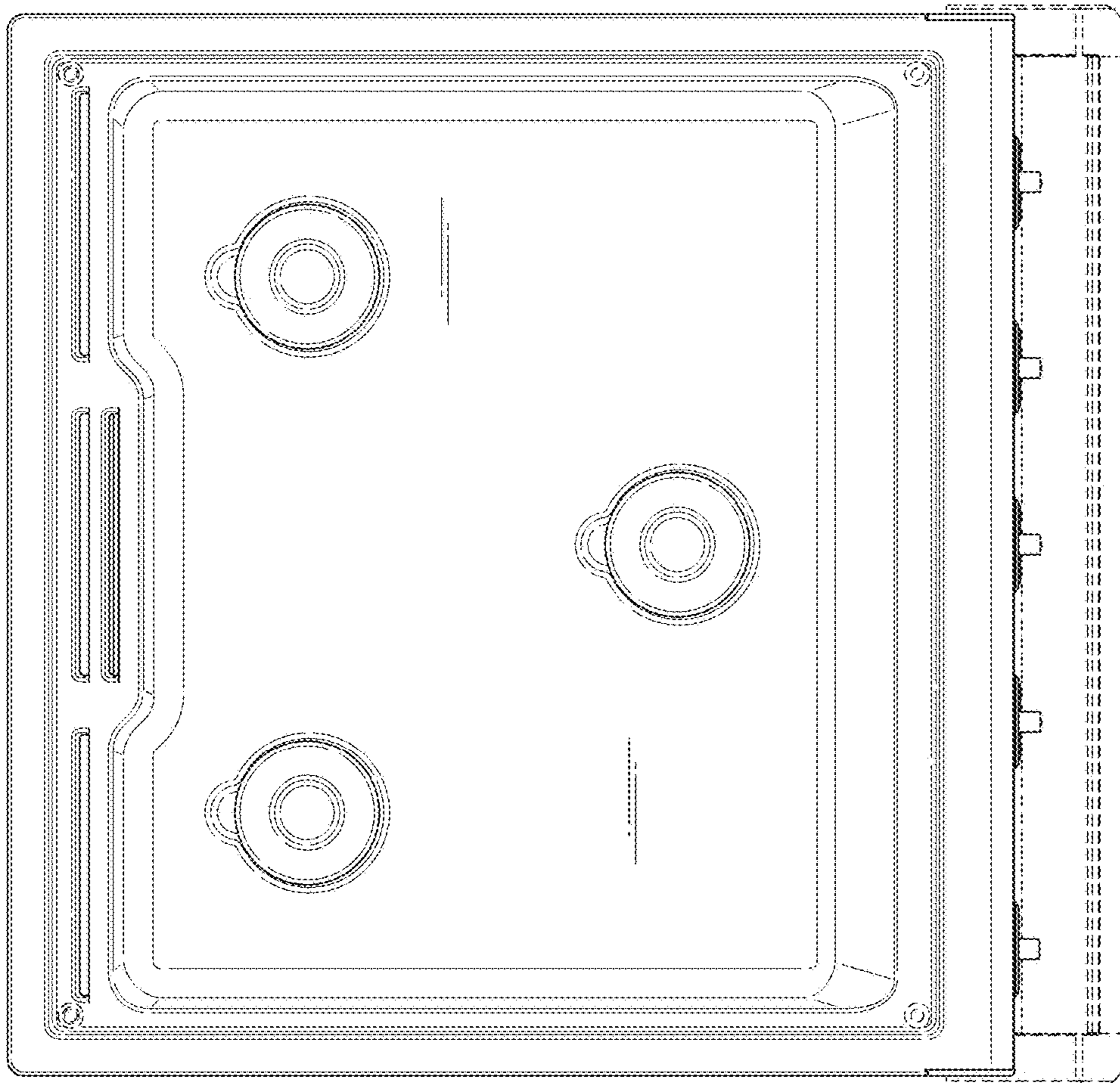


FIG. 10

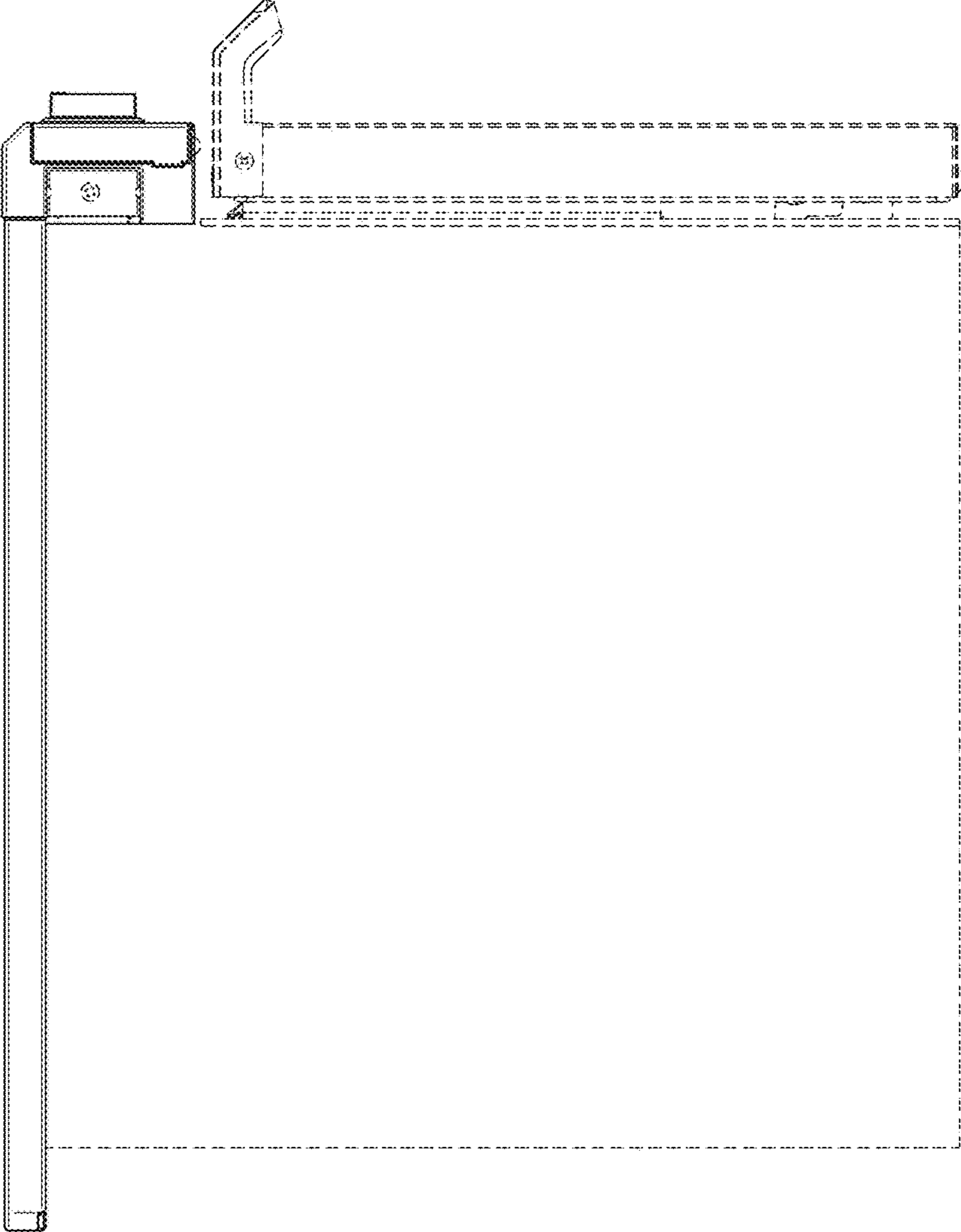


FIG. 11

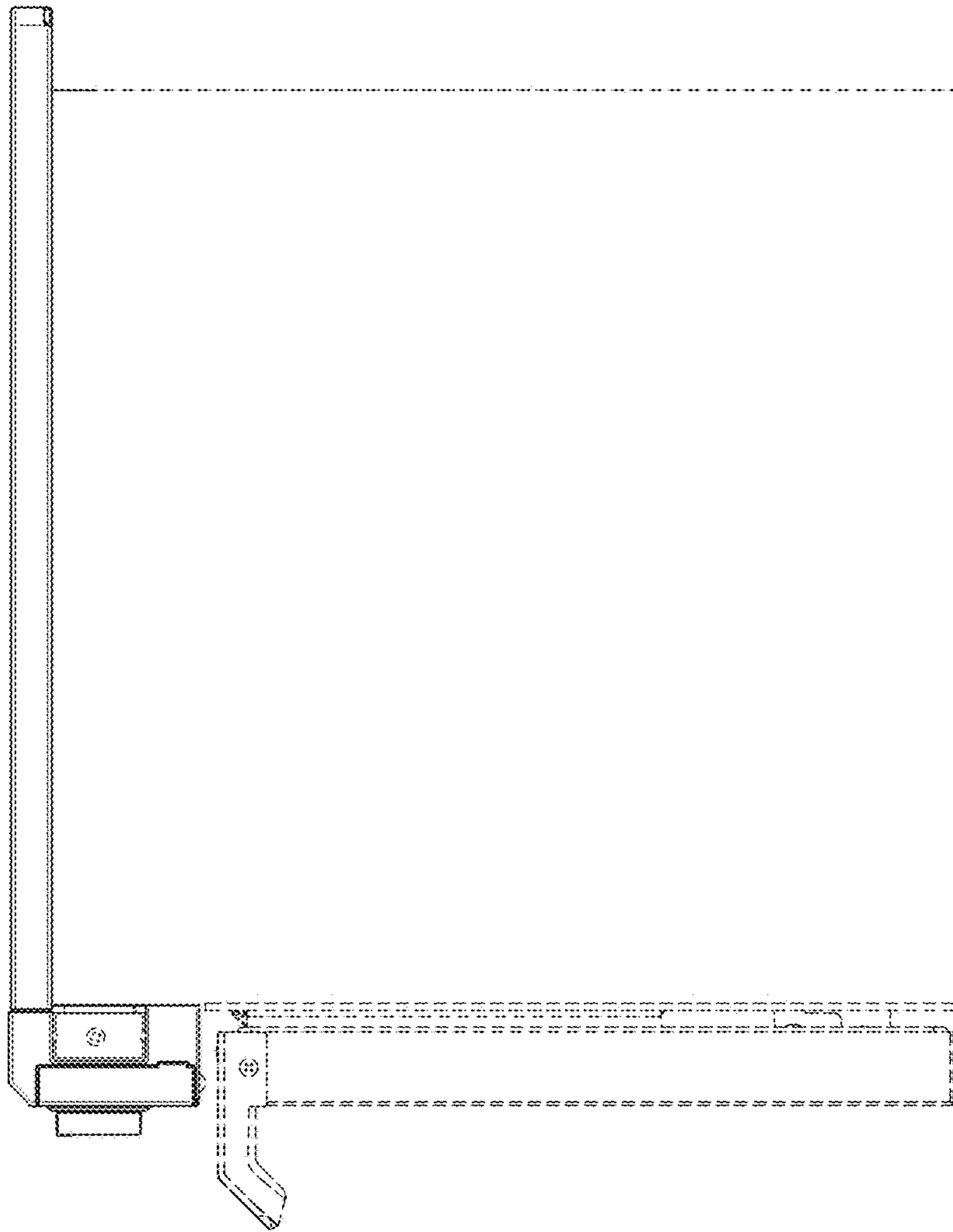


FIG. 12